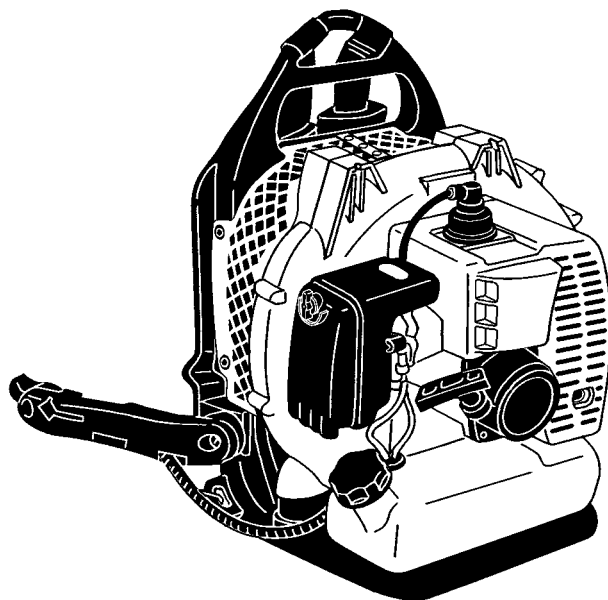




ILLUSTRATED PARTS LIST

BACKPACK BLOWER

EB4400



WARNING



The engine exhaust from this product contains chemicals known to the State of California to cause cancer, birth defects or other reproductive harm.

Thank you for purchasing a RedMax product.

Before using our blower, please read this manual carefully to understand the proper use of your unit.

APPLICABLE SERIAL NUMBERS :

010001 and up

BACKPACK BLOWER

EB4400

NOTE :

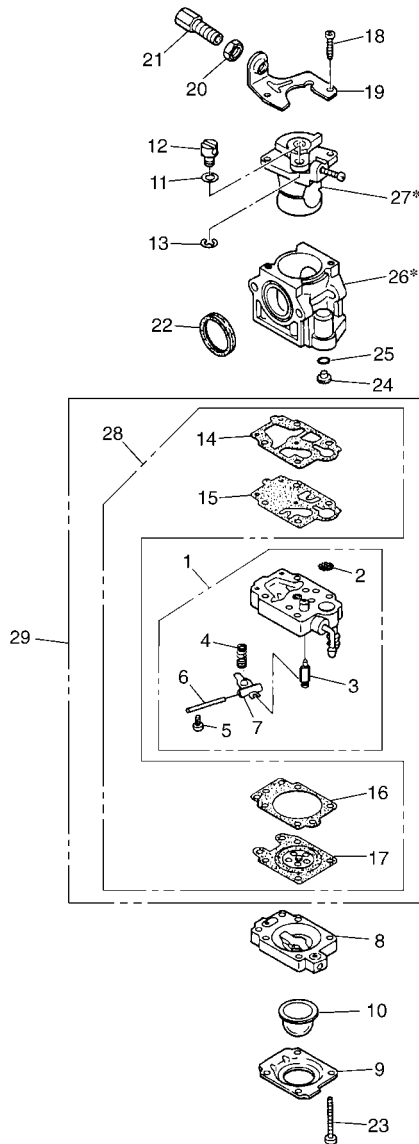
1. Use KOMATSU ZENOAH genuine parts as specified in the parts list for repair and/or replacement.
2. KOMATSU ZENOAH does not warrant the machines, which have been damaged by the use of any parts other than those specified by the company.
3. When placing parts orders for repair and/or replacement, check if the model name and the serial number are applicable to those specified in the parts list, then use parts number described in the parts list.
4. The contents described in the parts list may change due to improvement.
5. The parts for the machine shall be supplied seven (7) years after the machine is discontinued. [It is possible that some specific parts may be subject to change of their delivery term and list price within the limit of ten (7) years after the machine is discontinued. It is also possible that some parts may be available even after the limit of seven (7) years.]

APPLICABLE SERIAL NUMBERS : 010001 and up

Parts List : EB4400

Fig.1 CARBURETOR COMPONENTS (S/N 010001 and up)

Carburetor Ass'y (WYK-132) P/NO. T4019-81000



EB4400

Fig.1 CARBURETOR COMPONENTS (S/N 010001 and up)

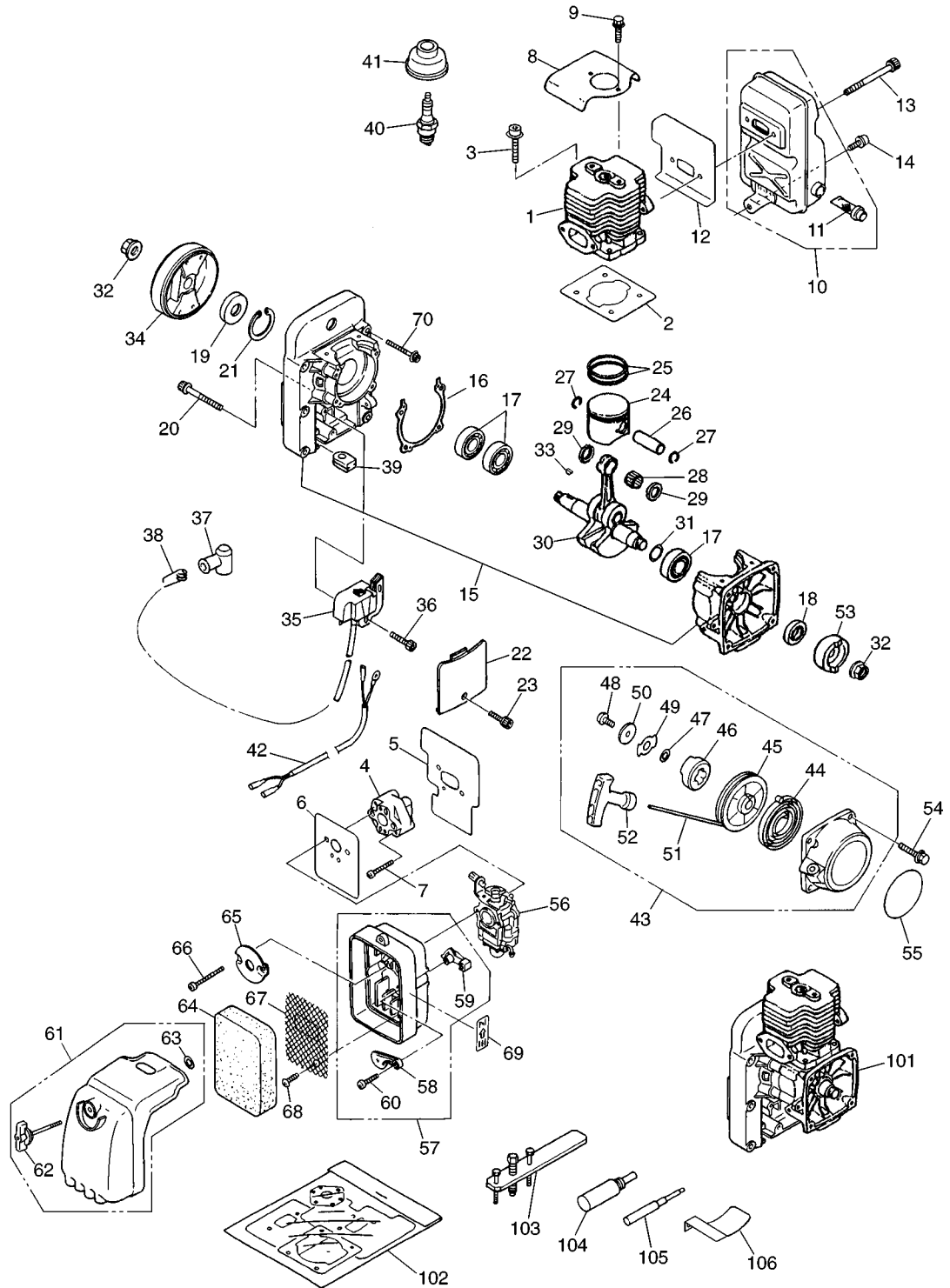
Key#	Part Number	Description	Q'ty	Key#	Part Number	Description	Q'ty
1	1850-81450	Body ass'y	1				
2	_____	Screen	1				
3	_____	Valve	1				
4	_____	Spring	1				
5	_____	Screw	1				
6	_____	Pin	1				
7	_____	Lever	1				
8	1850-81490	Body	1				
9	1850-81520	Cover	1				
10	1751-81510	Pump	1				
11	5500-81160	Washer	1				
12	1881-81140	Swivel	1				
13	1751-81130	Ring	1				
14	_____	Gasket	1				
15	_____	Diaphragm	1				
16	_____	Gasket	1				
17	_____	Diaphragm	1				
18	1752-81110	Screw	2				
19	5500-81120	Bracket	1				
20	1751-81180	Nut	1				
21	1918-81170	Screw	1				
22	1881-81130	Ring	1				
23	1850-81530	Screw	4				
24	1469-81250	Jet	1				
25	1751-81240	O-Ring	1				
26*	_____	Body	1				
27*	_____	Valve ass'y	1				
28	5602-06020	Gasket Kit (Key# 14,15,16,17)	OP				
29	5602-06030	Rebuild Kit (Gasket Kit + Key# 1)	OP				

[NOTE]

- 26*-Body and 27*-Valve ass'y are not supplied as an individual part respectively, but supplied as a carburetor ass'y (P/NO. T4019-81000).

Parts List : EB4400

Fig.2 ENGINE GROUP (S/N 010001 and up)



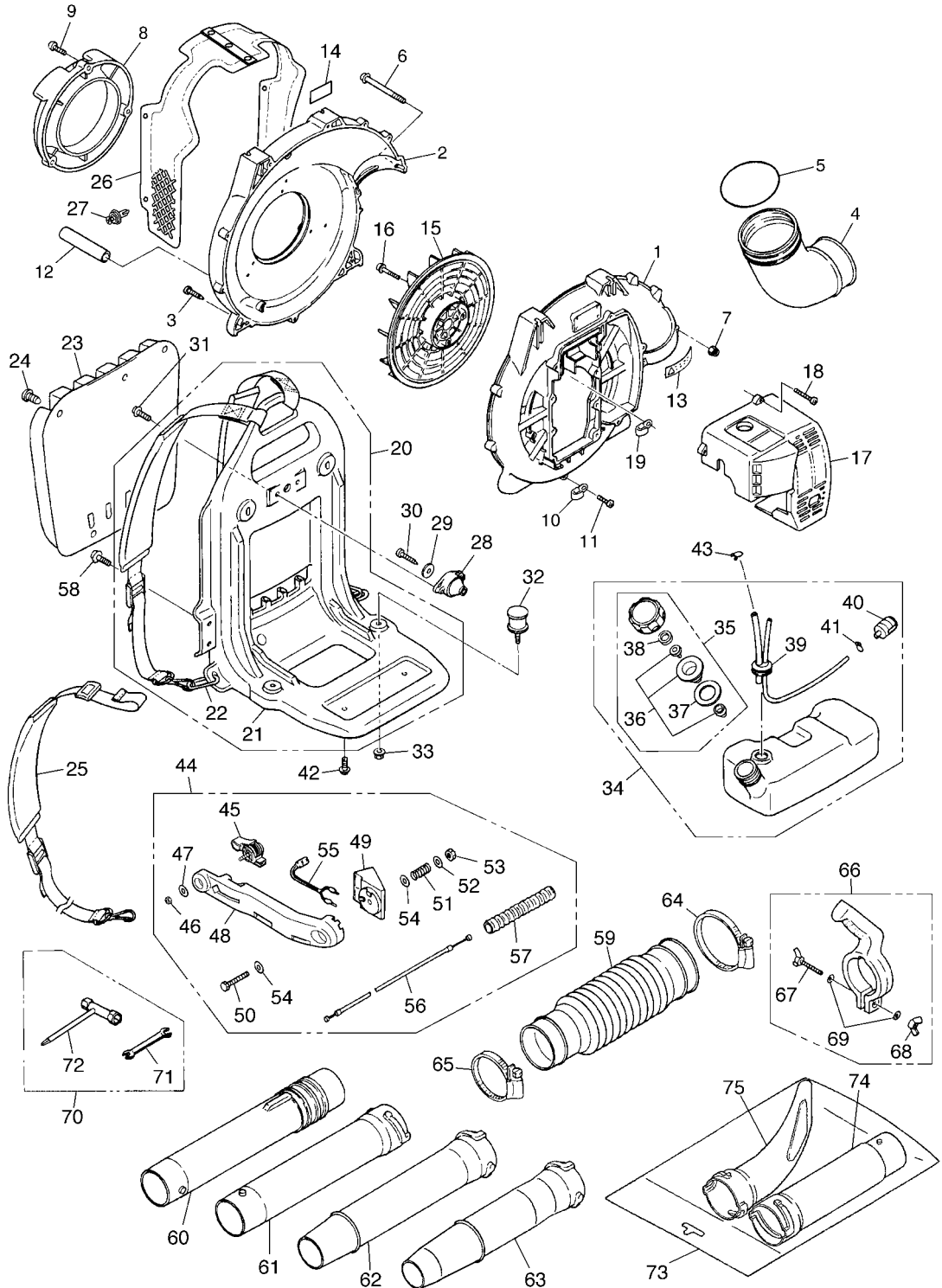
EB4400

Fig.2 ENGINE GROUP (S/N 010001 and up)

Key#	Part Number	Description	Q'ty	Key#	Part Number	Description	Q'ty
1	1490-12113	Cylinder	1	45	1487-75120	• Reel	1
2	2756-12210	Gasket, base	1	46	1487-75140	• Dog	1
3	3310-12281	Bolt M5x20	4	47	1861-75150	• Washer	1
4	1484-13160	Insulator	1	48	1483-75270	• Screw	1
5	2756-13120	Gasket	1	49	1487-75160	• Retainer	1
6	2756-13130	Gasket	1	50	1487-75170	• Washer	1
7	0263-90535	Screw	2	51	1400-75160	• Rope	1
8	1491-32110	Cover	1	52	1400-75170	• Knob	1
9	2750-12520	Bolt M5x10	2	53	1487-75211	Pulley	1
10	T4019-15100	Muffler ass'y (Tale pipe I.D. φ12)	1	54	3460-75510	Bolt M5x20	4
11	4810-15140	• Arrester	1	55	T4019-75610	Label	1
12	2750-15210	Gasket	1	56	T4019-81000	Carburetor (WYK-132)	1
13	2750-15160	Bolt M6x70	2	57	3407-82102	Body ass'y	1
14	2750-15170	Bolt M6x12	1	58	3407-82130	• Plate	1
15	2756-21100	Crankcase comp	1	59	3407-82140	• Lever	1
16	2756-21140	Gasket	1	60	2630-33610	• Screw	1
17	2810-21240	Bearing 15x35x11	3	61	1487-82201	Cover ass'y	1
18	T4019-21210	Oil seal 15x25x7	1	62	1487-82210	• Knob	1
19	1400-21220	Oil seal 15x35x6	1	63	5500-82230	• Ring	1
20	01252-30530	Bolt	4	64	1491-82311	Element	1
21	04065-03515	Snap ring	1	65	1484-82510	Plate	1
22	2750-21210	Cover	1	66	0263-90560	Screw	2
23	1565-72211	Bolt M4x16	1	67	1491-82352	Screen	1
24	1483-41111	Piston φ40	1	68	1491-82360	Screw, Tapping φ5x6	1
25	1400-41220	Ring	2	69	1133-82060	Label	1
26	1490-41310	Piston pin	1	70	2750-21510	Bolt M6x40	6
27	3350-41320	Snap ring	2				
28	1400-41410	Bearing	1	101	2756-05010	Short block	OP
29	2616-41510	Washer	2	102	2756-06010	Gasket kit	OP
30	2756-42000	Crankshaft comp	1	103	2750-96100	Puller ass'y	OP
31	1300-42410	Shim	0~1	104	3350-96220	Stopper	OP
32	1400-43230	Nut M10(P=1.0)	2	105	3350-96230	Guide	OP
33	1000-43240	Key	1	106	2750-96240	Gauge	OP
34	2750-71110	Rotor	1				
35	2750-71200	Coil ass'y	1				
36	3350-14150	Bolt M4x20	2				
37	1900-72112	Cap	1				
38	1900-72120	Spring	1				
39	5500-72130	Grommet	1				
40	1497-73110	Spark plug (Champion RJ6C)	1				
41	2756-71220	Cap	1				
42	2756-73200	Cord comp	1				
43	1487-75100	Recoil ass'y	1				
44	1180-75221	• Spring	1				

Parts List : EB4400

Fig.3 BLOWER GROUP (S/N 010001 and up)



EB4400

Fig.3 BLOWER GROUP (S/N 010001 and up)

Key#	Part Number	Description	Q'ty	Key#	Part Number	Description	Q'ty
1	2750-31111	VOLUTE CASE	1	51	3495-25420	• SPRING	1
2	2750-31211	VOLUTE COVER	1	52	3495-25440	• WASHER	1
3	2750-31150	SCREW, Tapping ϕ 5x25	9	53	01584-00605	• NUT	1
4	3490-11150	ELBOW	1	54	3495-25450	• WASHER	2
5	07000-02095	O-RING	1	55	T4012-25510	• SWITCH	1
6	2750-31420	SCREW M5x70	2	56	T4012-83110	• CABLE COMP	1
7	3310-53331	NUT, M5(Lock)	2	57	T3002-12240	• TUBE	1
8	T4012-31310	COVER INLET	1	58	2750-32540	BOLT M5x16 (Large Washer)	2
9	2750-31150	SCREW, Tapping ϕ 5x25	3	59	2750-51110	HOSE	1
10	1140-72231	CLAMP	1	60	2750-51200	SWIVEL JOINT	1
11	3407-16120	SCREW, Tapping ϕ 5x14	1	61	6811-51210	PIPE, straight	1
12	2750-31290	TUBE	1	62	6811-51220	PIPE, end ϕ 66	1
13	2750-31911	LABEL	1	63	2756-51220	PIPE, end ϕ 57	1
14	T4012-32610	LABEL, net	1	64	2756-51510	CLAMP	1
15	2750-31510	FAN	1	65	2756-51520	CLAMP	1
16	3407-12210	BOLT M6x40	4	66	2750-51500	GRIP ASSY	1
17	2750-31612	ENGINE COVER	1	67	3495-51420	• WING BOLT	1
18	2750-31150	SCREW, Tapping ϕ 5x25	4	68	3495-51430	• WING NUT	1
19	2750-72230	CLAMP	1	69	3238-15230	• WASHER	2
20	T4012-32000	FRAME ASSY	1	70	2750-91000	TOOL SET	1
21	T4012-32100	• FRAME COMP	1	71	3540-91120	• SPANNER	1
22	3490-21120	• RING	2	72	2750-91130	• SOCKET	1
23	3460-21311	PAD	1	73	HBN-100	FLAT NOZZLE SET	OP
24	3495-21320	CLIP	4	74	6811-51210	PIPE	OP
25	2756-32300	BAND ASSY	2	75	6811-51230	FLAT NOZZLE	OP
26	T4012-32500	NET COMP	1				
27	1480-74710	CLIP	4				
28	2750-32510	DAMPER,UPPER	1				
29	2750-32520	WASHER	1				
30	2750-32530	SCREW, Tapping ϕ 5x40	1				
31	2750-32540	BOLT M5x16 (Large Washer)	2				
32	2750-32610	DAMPER,LOWER	2				
33	2750-32620	NUT M6	2				
34	2756-85101	TANK ASSY	1				
35	4500-85201	• CAP ASSY	1				
36	4500-85300	•• HOLDER ASSY	1				
37	4500-85220	•• PACKING	1				
38	5601-85260	•• FILTER	1				
39	2756-85300	• PIPE COMP	1				
40	3302-85400	• FILTER	1				
41	1260-85460	• CLIP	1				
42	3407-23610	SCREW M5x12 (Large Washer)	2				
43	1100-86120	CLIP	1				
44	T4012-25000	LEVER SET	1				
45	T4012-25100	• LEVER	1				
46	3310-53331	• NUT M5	1				
47	01642-20508	• WASHER	1				
48	T4012-25210	• ARM	1				
49	T4012-25310	• BRACKET	1				
50	3495-25410	• BOLT	1				