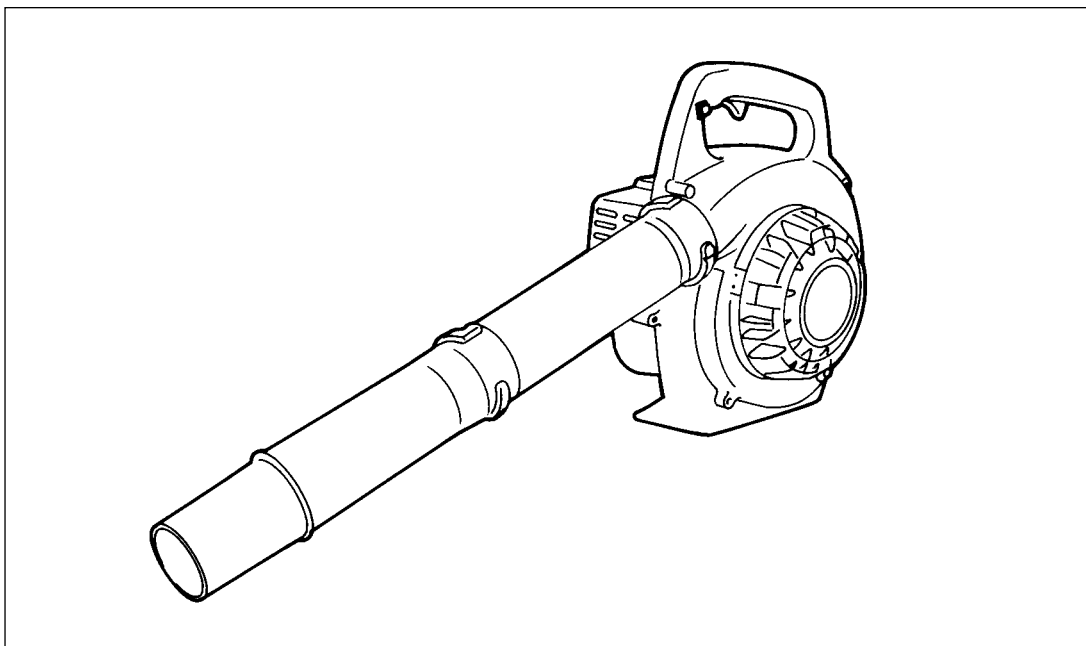




ILLUSTRATED PARTS LIST

HANDHELD BLOWER

HBZ2500



WARNING



The engine exhaust from this product contains chemicals known to the State of California to cause cancer, birth defects or other reproductive harm.

Thank you for purchasing a RedMax product.

Before using our blower, please read this manual carefully to understand the proper use of your unit.

APPLICABLE SERIAL NUMBERS :

DRIVE UNIT 100101 and up

ENGINE UNIT 100101 and up

HANDHELD BLOWER

HBZ2500

NOTE :

1. Use KOMATSU ZENOAH genuine parts as specified in the parts list for repair and/or replacement.
2. KOMATSU ZENOAH does not warrant the machines, which have been damaged by the use of any parts other than those specified by the company.
3. When placing parts orders for repair and/or replacement, check if the model name and the serial number are applicable to those specified in the parts list, then use parts number described in the parts list.
4. The contents described in the parts list may change due to improvement.
5. The parts for the machine shall be supplied seven (7) years after the machine is discontinued. [It is possible that some specific parts may be subject to change of their delivery term and list price within the limit of seven (7) years after the machine is discontinued. It is also possible that some parts may be available even after the limit of seven (7) years.]

Nov. 2001

APPLICABLE SERIAL NUMBERS :

DRIVE UNIT 100101 and up

ENGINE UNIT 100101 and up

Parts List

Fig.1 ENGINE GROUP HBZ2500

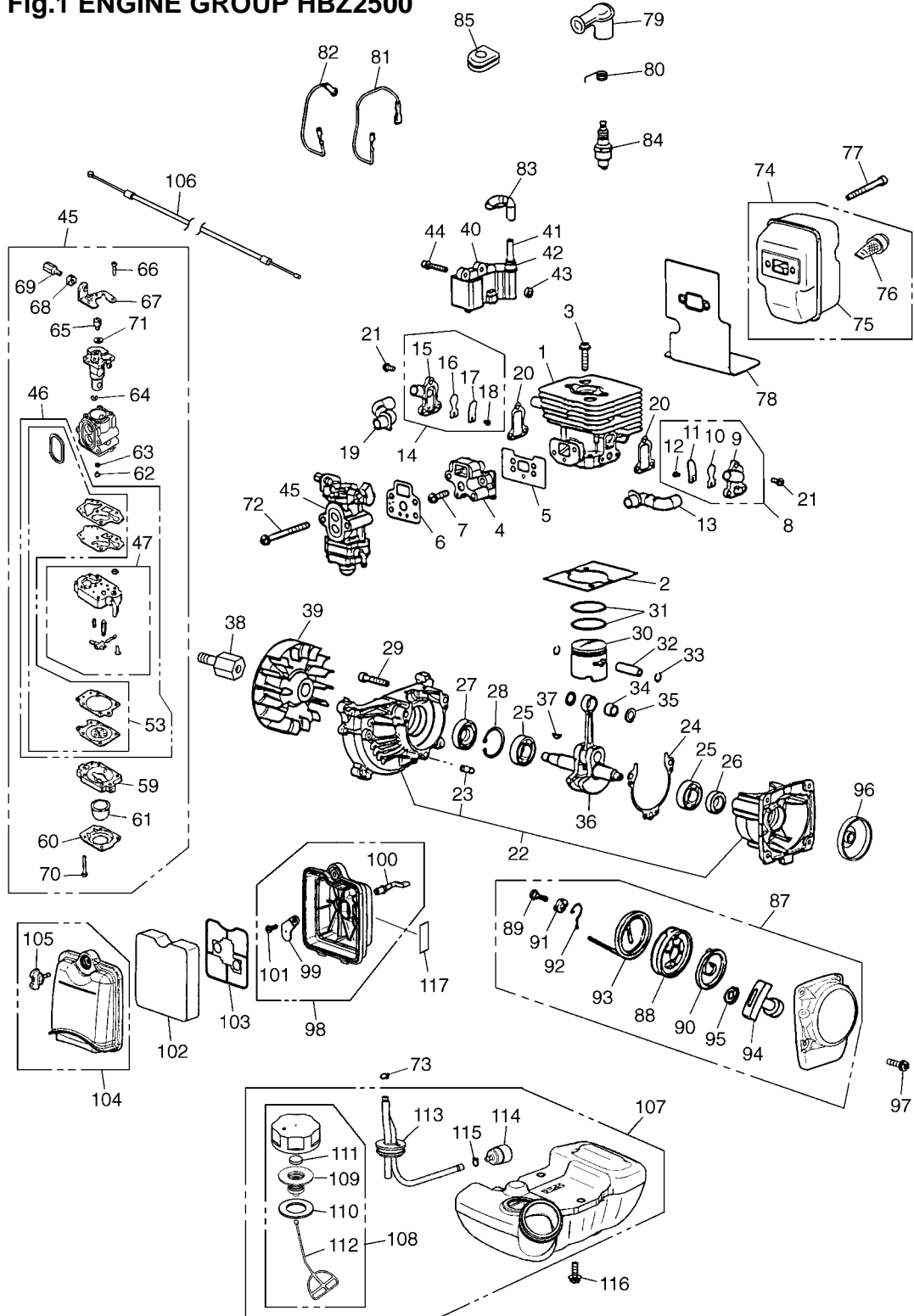


Fig.1 ENGINE GROUP HBZ2500

Key#	Part Number	Description	Q'ty	Key#	Part Number	Description	Q'ty
1	4810-12111	CYLINDER	1	61	1751-81510	• PUMP, priming	1
2	4810-12210	GASKET	1	62	4810-81251	• JET, #38.5	1
3	4820-12130	BOLT TORX, M5x22	2	63	1751-81240	• O-RING	1
4	4810-13162	INSULATOR	1	64	1751-81130	• RING	1
5	T1512-13120	GASKET, INSU	1	65	1881-81140	• SWIVEL	1
6	4810-13130	GASKET, CARB	1	66	1752-81110	• SCREW	2
7	4820-13180	BOLT TORX, M5x20	2	67	5500-81120	• BRACKET	1
8	4810-16100	REEDVALVE-A(S)	1	68	1751-81180	• NUT, adjuster	1
9	4810-16110	• VALVECASE(S)	1	69	1918-81170	• SCREW, adjuster	1
10	4810-16120	• REEDVALVE	1	70	1850-81530	• SCREW	4
11	4810-16130	• STOPPER	1	71	5500-81160	• WASHER	1
12	4810-16170	• SCREW, M3x8	1	72	4820-82310	BOLT TORX, M5x60	2
13	4810-16150	PIPE, AIR S	1	73	1950-86120	CLIP	1
14	4810-16200	REEDVALVE-A(F)	1	74	T1513-15100	MUFFLER-A	1
15	4810-16210	• VALVECASE(F)	1	75	T1513-15110	• MUFFLER	1
16	4810-16120	• REEDVALVE	1	76	4810-15140	• ARRESTER	1
17	4810-16130	• STOPPER	1	77	T4950-57030	BOLT TORX, M5x70	2
18	4810-16170	• SCREW, M3x8	1	78	T1513-15210	GASKET, MUFF	1
19	4810-16160	PIPE, AIR F	1	79	T2070-72210	CAP	1
20	4810-16140	GASKET, VALVE	2	80	1900-72120	SPRING	1
21	4820-16310	BOLT TORX, M4x10	6	81	4810-71240	CORD	1
22	4810-21101	CRANKCASE-C	1	82	4810-71250	CORD EARTH	1
23	2629-21130	• PIN	3	83	T1513-71320	TUBE	1
24	4810-21140	GASKET, CASE	1	84	4810-73110	SPARK PLUG, NGK CMR7A	1
25	06030-06001	BEARING	2	85	5500-72130	GROMMET	1
26	4810-21210	SEAL	1				
27	1850-21220	SEAL	1	87	4810-75100	RECOIL-A	1
28	04065-02812	SNAPRING	1	88	4500-75120	• REEL	1
29	4820-21310	BOLT TORX, M5x30	3	89	4500-75150	• SCREW	1
30	4810-41110	PISTON	1	90	1850-75130	• SPRING	1
31	5910-41210	RING	2	91	4500-75180	• COLLAR	1
32	1600-41310	PIN	1	92	4500-75190	• ARM	1
33	1260-41320	SNAPRING	2	93	4810-75160	• ROPE	1
34	5500-41410	BEARING	1	94	3330-75421	• KNOB	1
35	1101-41340	WASHER	2	95	4810-75170	• PLATE	1
36	4810-42000	CRANKSHAFT-C	1	96	4500-75210	PULLEY	1
37	1000-43240	KEY	1	97	4820-85510	BOLT TORX, M5x16	2
38	5516-43230	EXTENTION	1	98	T1513-82100	BODY-A	1
39	4810-71110	ROTOR	1	99	T1512-82130	• PLATE, CHOKE	1
40	T1513-71200	COIL-A	1	100	T1600-82140	• LEVER	1
41	T1513-71220	• CORD	1	101	T1108-82190	• SCREW	1
42	2616-71320	• CAP	1	102	T1513-82170	ELEMENT	1
43	1260-71261	SPACER	2	103	T1513-82180	PLATE	1
44	4820-72150	BOLT TORX	2	104	T1513-82200	COVER-A	1
45	T1513-81000	CARBURETOR-A, WYA-26	1	105	T1108-82220	• KNOB	1
46	4810-06030	• REBUILD KIT	1	106	5516-83101	CABLE	1
47	4810-81450	•• BODY ASS'Y	1	107	T1504-85001	TANK-A	1
	-	••• SCREEN	1	108	T1015-85202	• CAP-A	1
	-	••• VALVE	1	109	4500-85300	•• HOLDER-A	1
	-	••• SPRING	1	110	4500-85220	•• PACKING	1
	-	••• PIN	1	111	5601-85260	•• FILTER	1
	-	••• LEVER	1	112	4820-85260	•• STOPPER	1
53	4810-06021	•• GASKET KIT	1	113	4810-85300	• PIPE-C	1
	-	••• DIAPHRAGM	1	114	5500-85400	• FILTER-A	1
	-	••• GASKET, diaphragm	1	115	1260-85460	• CLIP	1
	-	••• DIAPHRAGM, pump	1	116	4820-85510	BOLT TORX, M5x16	3
	-	••• GASKET, pump	1	117	1133-82060	LABEL, CHOKE	1
	-	••• RING	1				
59	1850-81490	• BODY, purge	1				
60	1850-81520	• COVER, pump	1				

Parts List

Fig.2 BLOWER GROUP HBZ2500

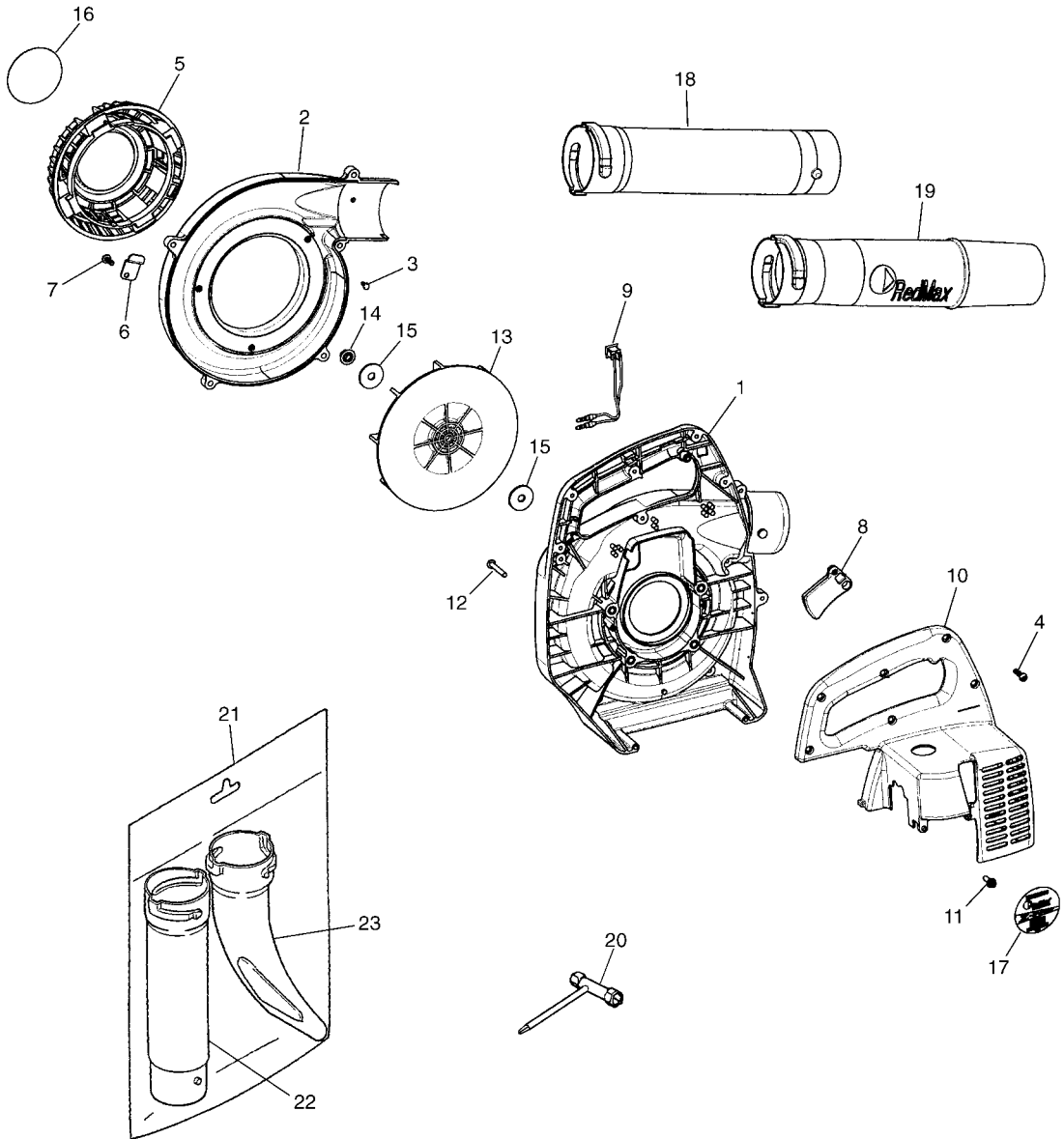


Fig.2 BLOWER GROUP HBZ2500

Key#	Part Number	Description	Q'ty	Key#	Part Number	Description	Q'ty
1	6811-11110	VOLUTE CASE	1				
2	T4022-11300	VOLUTE COVER-A	1				
3	1600-33130	SCREW	3				
4	T4970-52001	SCREW TORX	12				
5	6811-11130	GURG NET	1				
6	6811-11160	STOPPER	1				
7	T4970-51410	SCREW TORX	1				
8	6811-11150	LEVER	1				
9	6811-72200	SWITCH	1				
10	T4022-11210	ENGINE COVER	1				
11	4820-85510	SCREW TORX	2				
12	T4960-53510	SCREW TORX	4				
13	6811-12110	FAN	1				
14	1650-43230	182301 NUT	1				
15	6811-12220	WASHER	2				
16	T4022-19110	LABEL, CAUTION	1				
17	T4022-75610	LABEL, RECOIL	1				
18	6811-51210	PIPE CT2-18	1				
19	6811-51220	PIPE, END CT2-19	1				
20	T4017-91130	SOCKET	1				
OPTION							
21	HBN-100	FLAT NOZZLE SET	1				
22	6811-51210	PIPE	1				
23	6811-51230	FLAT NOZZLE	1				