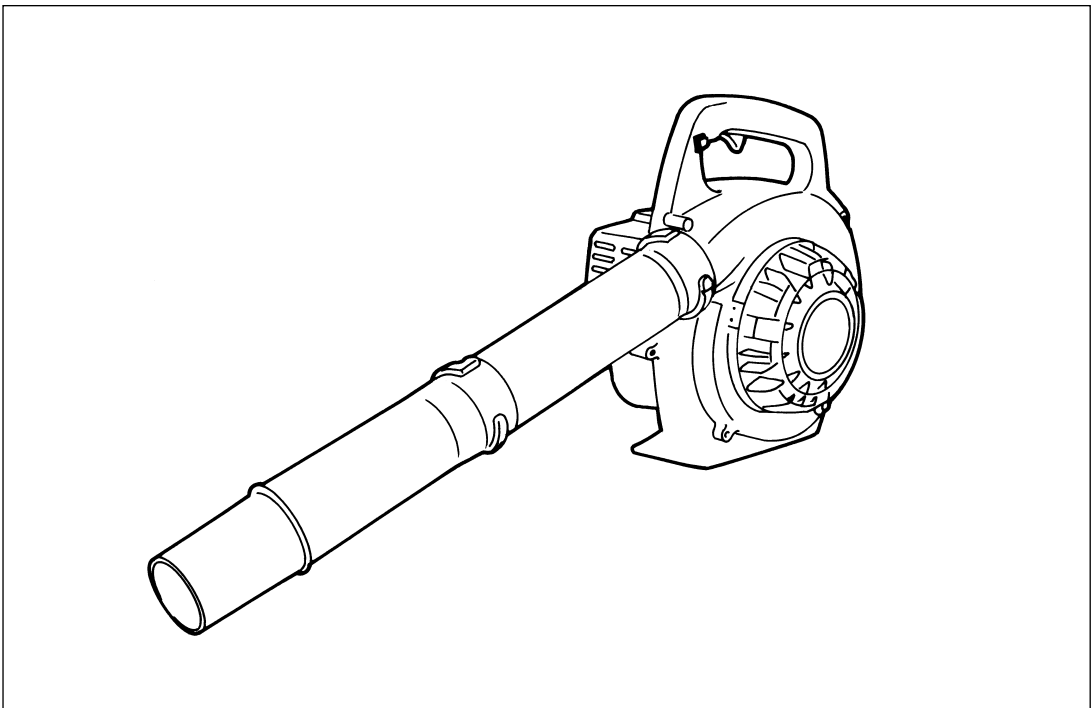




# ILLUSTRATED PARTS LIST

## HANDHELD BLOWER

# HB2300



### WARNING



The engine exhaust from this product contains chemicals known to the State of California to cause cancer, birth defects or other reproductive harm.

Thank you for purchasing a RedMax product.

Before using our blower, please read this manual carefully to understand the proper use of your unit.

### **HANDHELD BLOWER**

# **HB2300**

**NOTE :**

1. Use KOMATSU ZENOAH genuine parts as specified in the parts list for repair and/or replacement.
2. KOMATSU ZENOAH does not warrant the machines, which have been damaged by the use of any parts other than those specified by the company.
3. When placing parts orders for repair and/or replacement, check if the model name and the serial number are applicable to those specified in the parts list, then use parts number described in the parts list.
4. The contents described in the parts list are accurate as of July 1997 and may change due to improvement.
5. The parts for the machine shall be supplied seven (7) years after the machine is discontinued. [It is possible that some specific parts may be subject to change of their delivery term and list price within the limit of seven (7) years after the machine is discontinued. It is also possible that some parts may be available even after the limit of seven (7) years.]

# Parts List : HB2300

## Fig.1 ENGINE GROUP

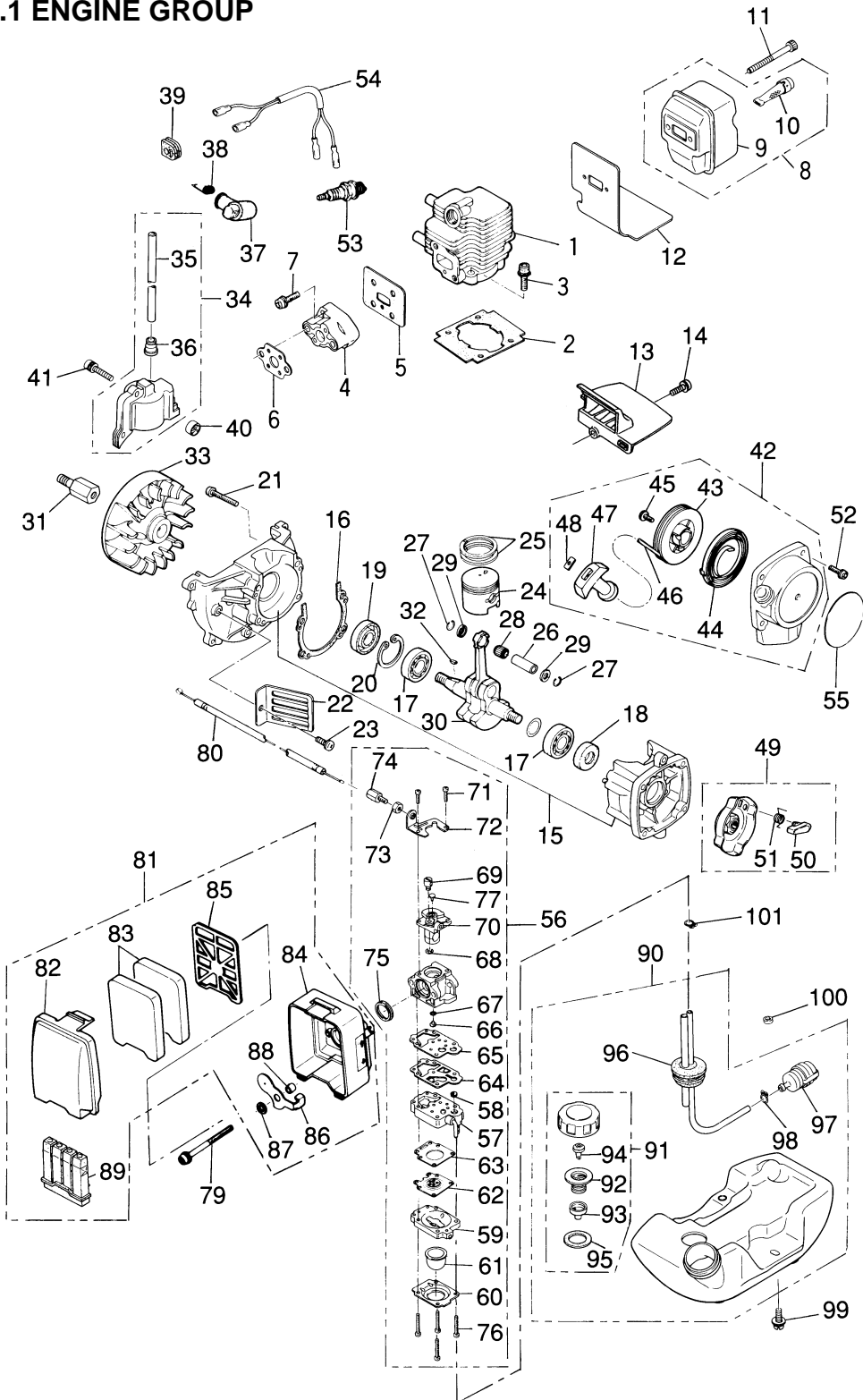
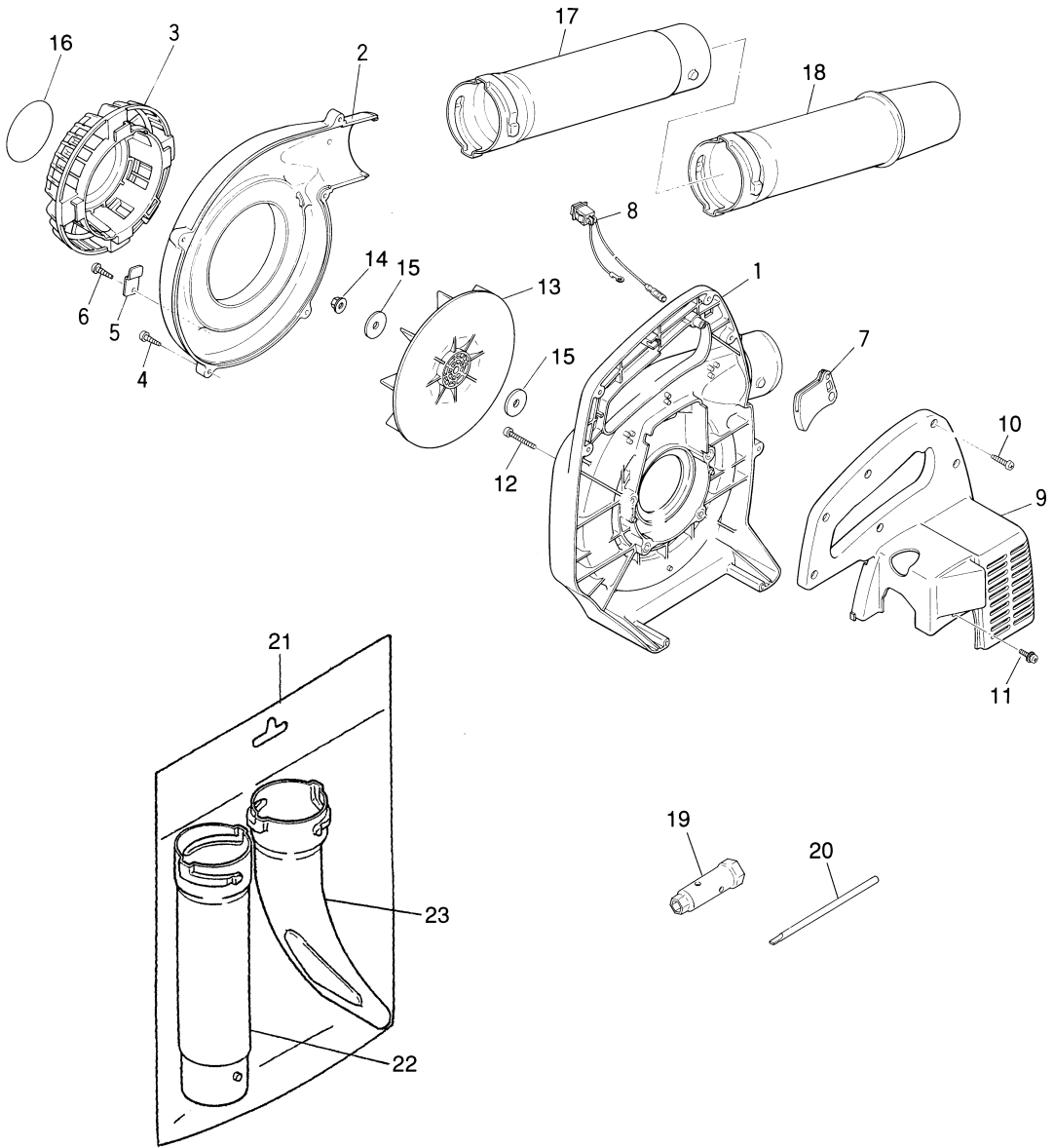


Fig.1 ENGINE GROUP

Key#	Part Number	Description	Q'ty	Key#	Part Number	Description	Q'ty
1	5580-12110	Cylinder	1	53	5602-73110	Spark plug (RCJ-6Y)	1
2	5500-12211	Gasket, base	1	54	5500-73201	Cord comp	1
3	1850-12130	Bolt, M5x22	2	55	6811-75610	Label	1
4	5500-13162	Insulator	1	56	5516-81000	Carburetor assy	1
5	5500-13120	Gasket, Insulator	1	57	1850-81450	Body assy-pump	1
6	5500-13130	Gasket, carb	1	58	3306-81380	Screen-inlet	1
7	0263-90520	Screw, M5x20	2	59	1850-81490	Body assy-air purge	1
8	5516-15100	Muffler assy	1	60	1850-81520	Cover	1
9	5516-15110	Muffler	1	61	1751-81510	Pump	1
10	1601-15120	Arrester	1	62	3310-81260	Diaphragm-a-met'g	1
11	5516-15160	Bolt,M5x75	2	63	1850-81470	Gasket	1
12	5516-15210	Gasket, muffler	1	64	1065-81420	Diaphragm	1
13	5500-15220	Plate	1	65	1065-81410	Gasket	1
14	0263-90416	Screw, M4x16	1	66	5516-81250	Jet	1
15	5500-21100	Crankcase comp	1	67	1751-81240	O-ring	1
16	5500-21140	Gasket	1	68	1751-81130	Ring	1
17	06030-06001	Bearing	2	69	1881-81140	Swivel	1
18	2169-21210	Seal	1	70	5516-81150	Valve assy	1
19	1850-21220	Seal	1	71	1752-81110	Screw	2
20	04065-02812	Snap ring	1	72	5500-81120	Bracket	1
21	01252-30530	Bolt, M5x30	4	73	1751-81180	Nut	1
22	5500-22110	Guard	1	74	1918-81170	Screw	1
23	0263-90514	Screw, M5x14	1	75	1881-81130	Ring	1
24	5600-41111	Piston	1	76	1850-81530	Screw	4
25	1100-41210	Ring	2	77	5500-81160	Washer	1
26	1101-41310	Pin	1	78	_____	_____	—
27	1260-41320	Ring	2	79	0263-90560	Screw	2
28	1140-41330	Bearing	1	80	5516-83101	Cable	1
29	1101-41340	Washer	2	81	5516-82000	Cleaner assy	1
30	5500-42001	Crankehaft comp	1	82	1918-82110	Cover	1
31	5516-43230	Extention	1	83	1918-82120	Filter	2
32	1000-43240	Key	1	84	1918-82130	Housing	1
33	5501-71110	Rotor	1	85	1918-82140	Plate	1
34	5501-71201	Coil assy	1	86	5516-82150	Choke valve	1
35	5500-71220	Cord	1	87	1918-82160	Washer	1
36	2616-71320	Cap	1	88	1918-82170	Sleeve	2
37	1900-72111	Cap, Plug	1	89	5516-82120	Silencer	1
38	1900-72120	Spring	1	90	5516-85001	Tank assy	1
39	5500-72130	Grommet	1	91	5600-85202	Cap assy	1
40	1260-71261	Spacer	2	92	5600-85231	Holder	1
41	3310-72150	Bolt, M4x25	2	93	5600-85240	Cap	1
42	5500-75100	Recoil assy	1	94	5600-85250	Valve	1
43	1850-75120	Reel	1	95	5500-85220	Packing	1
44	1850-75130	Spring	1	96	5580-85300	Pipe comp	1
45	1850-75151	Screw	1	97	5500-85400	Filter	1
46	1850-75160	Rope	1	98	1260-85460	Clip	1
47	1140-75320	Knob	1	99	5516-85510	Screw, M5x20	3
48	5500-75170	Plate	1	100	5516-85531	Collar	1
49	1850-75201	Pulley assy	1	101	1950-86120	Clip	1
50	1850-75221	Ratchet	1				
51	1850-75230	Spring	1				
52	0263-90416	Screw, M4x16	4				

Fig.2 BLOWER GROUP



**Fig.2 BLOWER GROUP**

Key#	Part Number	Description	Q'ty	Key#	Part Number	Description	Q'ty
1	6811-11110	Volute case	1				
2	6811-11120	Volute cover	1				
3	6811-11130	Guard net	1				
4	6811-11250	Screw	5				
5	6811-11160	Stopper	1				
6	6811-11170	Screw	1				
7	6811-11150	Lever	1				
8	6811-72200	Switch	1				
9	6811-11210	Cover, engine	1				
10	6811-11250	Screw	7				
11	1850-32160	Screw	1				
12	0263-90535	Screw	4				
13	6811-12110	Fan	1				
14	1650-43230	Nut	1				
15	6811-12220	Washer	2				
16	6811-19110	Label	1				
17	6811-51210	Pipe	1				
18	6811-51220	Pipe, end	1				
19	1110-91320	Socket	1				
20	3582-91330	Bar	1				
OPTION							
21	HBN-100	Flat Nozzle Set	1				
22	6811-51210	Pipe	1				
23	6811-51230	Flat Nozzle	1				