

**PARTS LIST**

**LISTE DES PIÈCES**

**LISTA DE PIEZAS**

|                 |  |  |
|-----------------|--|--|
| <b>Extreme™</b> | <b>EXZ2460S-PH</b><br><div style="border: 1px solid black; padding: 5px; display: inline-block;"> <b>PH-EXZ</b><br/> <b>BC-EX3</b><br/> <b>ENGINE</b> </div> | <b>LRT-EX3 (ATT)</b><br><b>PS-EX (ATT)</b><br><b>HE-EX2 (ATT)</b><br><b>RMS-EX (ATT)</b> |
|-----------------|--|--|

**NOTE :**

1. Use RedMax genuine parts as specified in the parts list for repair and/or replacement.
2. RedMax does not warrant the machines, which have been damaged by the use of any parts other than those specified by the company.
3. When placing parts orders for repair and/or replacement, check if the model name and the serial number are applicable to those specified in the parts list, then use parts number described in the parts list.
4. The contents described in the parts list may change due to improvement.
5. The parts for the machine shall be supplied seven (7) years after the machine is discontinued. [It is possible that some specific parts may be subject to change of their delivery term and list price within the limit of seven (7) years after the machine is discontinued. It is also possible that some parts may be available even after the limit of seven (7) years.]

**REMARQUE :**

1. Pour toute réparation et/ou remplacement, utiliser uniquement les pièces de marque RedMax comme précisé dans la liste des pièces.
2. RedMax ne garantit pas les machines qui ont été endommagées suite à l'utilisation de pièces autres que celles spécifiées par la société.
3. Lorsque vous passez une commande pour une réparation et/ou un remplacement, vérifier si le nom du modèle et le numéro de série s'appliquent à ceux précisés dans la liste des pièces, utiliser ensuite le numéro de pièce figurant dans la liste des pièces.
4. Le contenu décrit dans la liste des pièces peut être modifié dans un souci d'amélioration.
5. Les pièces de la machine seront disponibles pendant sept (7) ans après l'arrêt de fabrication de cette machine. [Il est possible que certaines pièces particulières soient soumises à des changements en ce qui concerne les conditions de livraison et le prix courant dans une limite de sept (7) ans une fois la fabrication de la machine arrêtée. Il est également possible que certaines pièces soient toujours disponibles même après la limite de sept (7) ans.]

**NOTA:**

1. Para reparaciones o cambios, utilice piezas RedMax genuinas según se especifica en la lista de piezas.
2. RedMax no garantiza máquinas que se han dañado por el uso de piezas distintas a las especificadas por la compañía.
3. Al solicitar piezas para reparación y/o reemplazo, compruebe que el nombre y el número de serie del modelo corresponden con los indicados en la lista de piezas, y utilice los números de pieza indicados en la lista de piezas.
4. Las piezas incluidas en la lista de piezas pueden cambiar debido a mejoras.
5. Se suministrarán piezas para la máquina hasta siete (7) años después de que la máquina haya sido discontinuada. [Algunas piezas específicas pueden estar sujetas a cambios en los términos de entrega y precios de lista dentro de un límite de siete (7) años después de que la máquina ha sido discontinuada. También puede suceder que ciertas piezas sigan estando disponibles una vez transcurrido el límite de siete (7) años.]

**APPLICABLE SERIAL NUMBERS :**

|             |          |        |
|-------------|----------|--------|
| ENGINE UNIT | 00800101 | and up |
| PH-EXZ      | 00800101 | and up |
| BC-EX3      | 00800101 | and up |
| LRT-EX3     | 000101   | and up |
| PS-EX       | 000101   | and up |
| HE-EX2      | 000101   | and up |
| RMS-EX      | 000101   | and up |

**NUMEROS DE SERIE APPLICABLES :**

|         |          |            |
|---------|----------|------------|
| MOTEUR  | 00800101 | et au-delà |
| PH-EXZ  | 00800101 | et au-delà |
| BC-EX3  | 00800101 | et au-delà |
| LRT-EX3 | 000101   | et au-delà |
| PS-EX   | 000101   | et au-delà |
| HE-EX2  | 000101   | et au-delà |
| RMS-EX  | 000101   | et au-delà |

**NÚMEROS DE SERIE APLICABLES:**

|                 |          |            |
|-----------------|----------|------------|
| UNIDAD DE MOTOR | 00800101 | y superior |
| PH-EXZ          | 00800101 | y superior |
| BC-EX3          | 00800101 | y superior |
| LRT-EX3         | 000101   | y superior |
| PS-EX           | 000101   | y superior |
| HE-EX2          | 000101   | y superior |
| RMS-EX          | 000101   | y superior |

EXZ2460S-PH

Fig.1 PH-EXZ

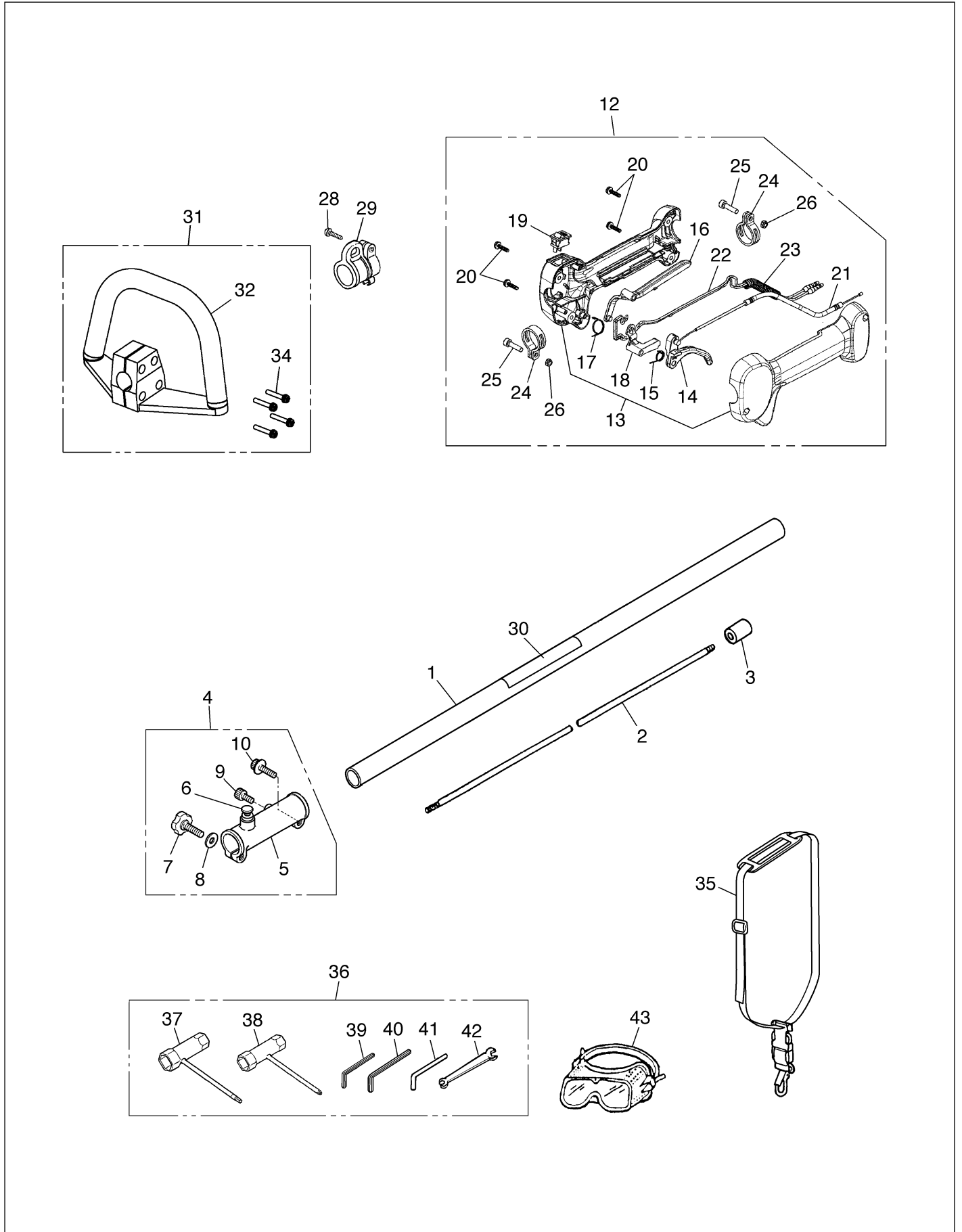


Fig.1 PH-EXZ

| Key# | Part Number  | Description                      | Q'ty | Key# | Part Number | Description | Q'ty |
|------|--------------|----------------------------------|------|------|-------------|-------------|------|
| 1    | 511 52 15-01 | PIPE COMP., $\varnothing$ 24x750 | 1    |      |             |             |      |
| 2    | 521 81 16-01 | SHAFT, 786x7                     | 1    |      |             |             |      |
| 3    | 521 40 26-01 | SPACER                           | 1    |      |             |             |      |
| 4    | 576 64 00-01 | JOINT, PIPE ASS'Y                | 1    |      |             |             |      |
| 5    | 521 81 24-01 | • JOINT                          | 1    |      |             |             |      |
| 6    | 521 81 25-01 | • STOPPER                        | 1    |      |             |             |      |
| 7    | 521 40 30-01 | • KNOBBOLT                       | 1    |      |             |             |      |
| 8    | 505 16 98-01 | • WASHER                         | 1    |      |             |             |      |
| 9    | 521 34 53-01 | • SCREW M5x10xT27                | 1    |      |             |             |      |
| 10   | 521 86 24-01 | • BOLT M6x35xT27                 | 1    |      |             |             |      |
| 12   | 574 39 03-01 | GRIP ASSY                        | 1    |      |             |             |      |
| 13   | 576 47 52-01 | • GRIP, HALF SET                 | 1    |      |             |             |      |
| 14   | 529 25 88-01 | • LEVER, THROTTLE                | 1    |      |             |             |      |
| 15   | 529 25 96-01 | • SPRING, THROTTLE               | 1    |      |             |             |      |
| 16   | 529 25 90-01 | • LEVER, SAFETY                  | 1    |      |             |             |      |
| 17   | 574 39 08-01 | • SPRING                         | 1    |      |             |             |      |
| 18   | 529 25 92-01 | • LEVER, JOINT                   | 1    |      |             |             |      |
| 19   | 521 85 16-01 | • SWITCH                         | 1    |      |             |             |      |
| 20   | 521 51 77-01 | • SCREW                          | 4    |      |             |             |      |
| 21   | 529 25 71-01 | • CABLE COMP.                    | 1    |      |             |             |      |
| 22   | 529 25 61-01 | • CORD COMP.                     | 2    |      |             |             |      |
| 23   | 521 80 55-01 | • TUBE                           | 1    |      |             |             |      |
| 24   | 529 25 94-01 | • BAND                           | 2    |      |             |             |      |
| 25   | 521 34 54-01 | • BOLT                           | 2    |      |             |             |      |
| 26   | 510 91 11-01 | • NUT                            | 2    |      |             |             |      |
| 28   | 521 82 21-01 | HANGER COMP.                     | 1    |      |             |             |      |
| 29   | 516 11 33-01 | SCREW                            | 1    |      |             |             |      |
| 30   | 576 66 94-01 | PLATE-NAME                       | 1    |      |             |             |      |
| 31   | 526 05 64-01 | HANDLE ASSY                      | 1    |      |             |             |      |
| 32   | 512 55 35-01 | • HANDLE                         | 1    |      |             |             |      |
| 34   | 521 86 31-01 | • SCREW                          | 4    |      |             |             |      |
| 35   | 521 65 11-01 | STRAP ASSY                       | 1    |      |             |             |      |
| 36   | 521 53 26-01 | TOOL-SET                         | 1    |      |             |             |      |
| 37   | 521 53 31-01 | • SOCKET, 16x17xt27              | 1    |      |             |             |      |
| 38   | 521 80 64-01 | • SOCKET, 13x16                  | 1    |      |             |             |      |
| 39   | 505 31 19-01 | • WRENCH                         | 1    |      |             |             |      |
| 40   | 516 14 47-01 | • WRENCH                         | 1    |      |             |             |      |
| 41   | 521 17 61-01 | • BAR                            | 1    |      |             |             |      |
| 42   | 521 17 62-01 | • SPANNER                        | 1    |      |             |             |      |
| 43   | 510 98 94-01 | GOGGLE                           | 1    |      |             |             |      |

EXZ2460S-PH

Fig.2 BC-EX3

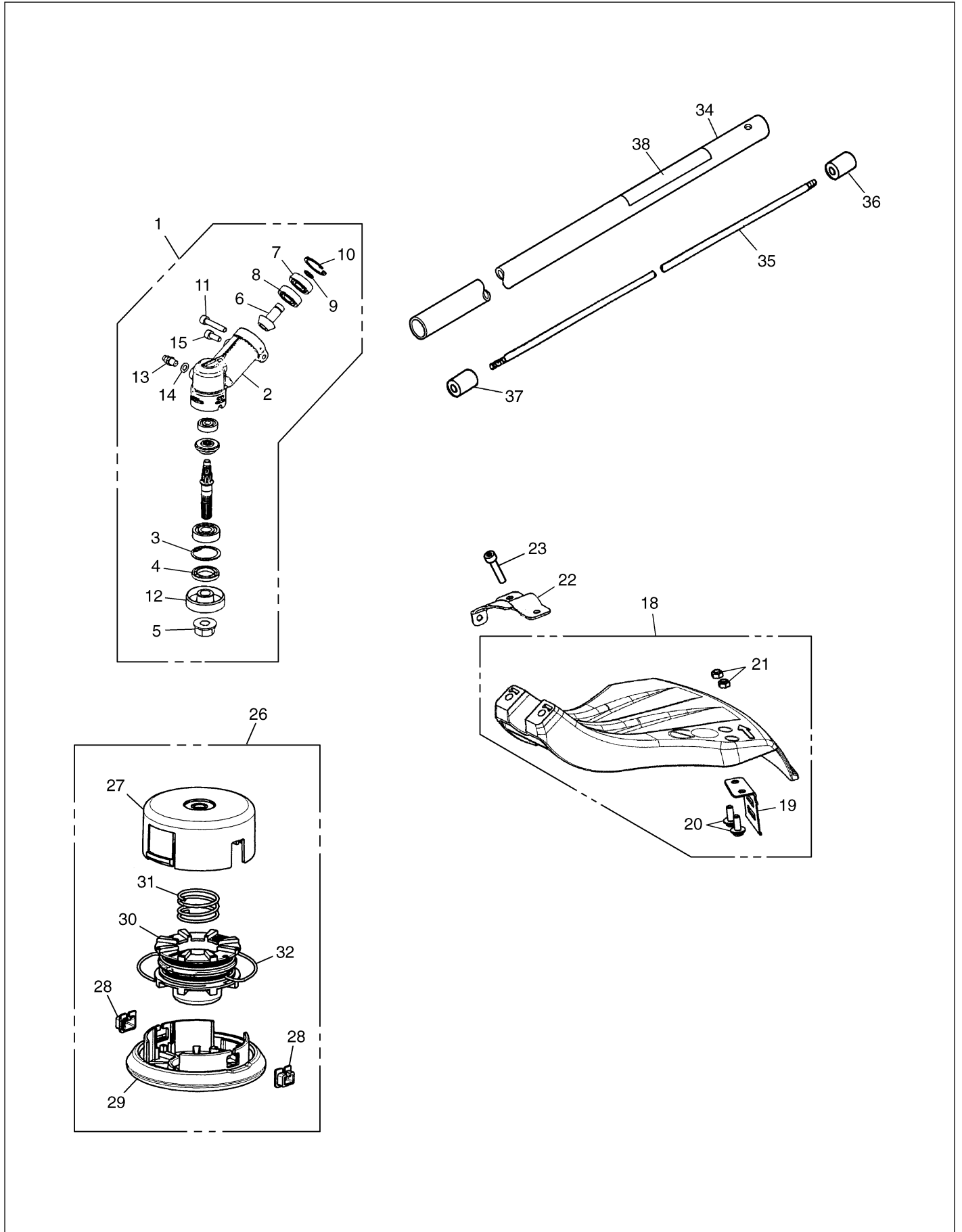


Fig.2 BC-EX3

| Key# | Part Number  | Description                      | Q'ty | Key# | Part Number | Description | Q'ty |
|------|--------------|----------------------------------|------|------|-------------|-------------|------|
| 1    | 574 71 63-01 | GEARCASE ASSY                    | 1    |      |             |             |      |
| 2    | 574 26 75-01 | • GEARCASE                       | 1    |      |             |             |      |
| 3    | 516 12 55-01 | • SNAP RING                      | 1    |      |             |             |      |
| 4    | 521 19 70-01 | • SEAL                           | 1    |      |             |             |      |
| 5    | 521 80 40-01 | • NUT                            | 1    |      |             |             |      |
| 6    | 521 65 30-01 | • PINION                         | 1    |      |             |             |      |
| 7    | 521 82 20-01 | • BEARING                        | 1    |      |             |             |      |
| 8    | 516 12 76-01 | • BEARING (0600000609)           | 1    |      |             |             |      |
| 9    | 521 82 18-01 | • SNAP RING                      | 1    |      |             |             |      |
| 10   | 505 16 94-01 | • RING (0243224120)              | 1    |      |             |             |      |
| 11   | 521 86 15-01 | • BOLT TORX, 5x25                | 1    |      |             |             |      |
| 12   | 521 47 05-01 | • HOLDER (A)                     | 1    |      |             |             |      |
| 13   | 520 90 18-01 | • FITTING (2087061640)           | 1    |      |             |             |      |
| 14   | 505 17 16-01 | • WASHER                         | 1    |      |             |             |      |
| 15   | 521 86 11-01 | • BOLT TORX, 5x12                | 1    |      |             |             |      |
| 18   | 574 39 54-01 | GUARD COMP.                      | 1    |      |             |             |      |
| 19   | 574 39 56-01 | • BLADE                          | 1    |      |             |             |      |
| 20   | 521 86 29-01 | • SCREW TORX, 5x14               | 2    |      |             |             |      |
| 21   | 521 00 06-01 | • NUT                            | 2    |      |             |             |      |
| 22   | 521 65 31-01 | BRACKET                          | 1    |      |             |             |      |
| 23   | 512 84 64-01 | BOLT TORX, 6x30                  | 2    |      |             |             |      |
| 26   | 970 37 09-01 | TAP HEAD COMP.                   | 1    |      |             |             |      |
| 27   | 521 54 07-01 | • CASE                           | 1    |      |             |             |      |
| 28   | 521 81 98-01 | • EYELET                         | 2    |      |             |             |      |
| 29   | 521 81 94-01 | • COVER                          | 1    |      |             |             |      |
| 30   | 521 81 95-01 | • CORD HOLDER                    | 1    |      |             |             |      |
| 31   | 521 81 96-01 | • SPRING                         | 1    |      |             |             |      |
| 32   | 511 01 14-01 | • CORD                           | 1    |      |             |             |      |
| 34   | 521 81 35-01 | PIPE COMP., $\varnothing$ 24x750 | 1    |      |             |             |      |
| 35   | 521 81 36-01 | SHAFT, 755x7                     | 1    |      |             |             |      |
| 36   | 521 40 25-01 | SHAFT-JOINT                      | 1    |      |             |             |      |
| 37   | 521 40 26-01 | SPACER                           | 1    |      |             |             |      |
| 38   | 576 77 77-01 | PLATE-NAME                       | 1    |      |             |             |      |

Fig.3 ENGINE UNIT

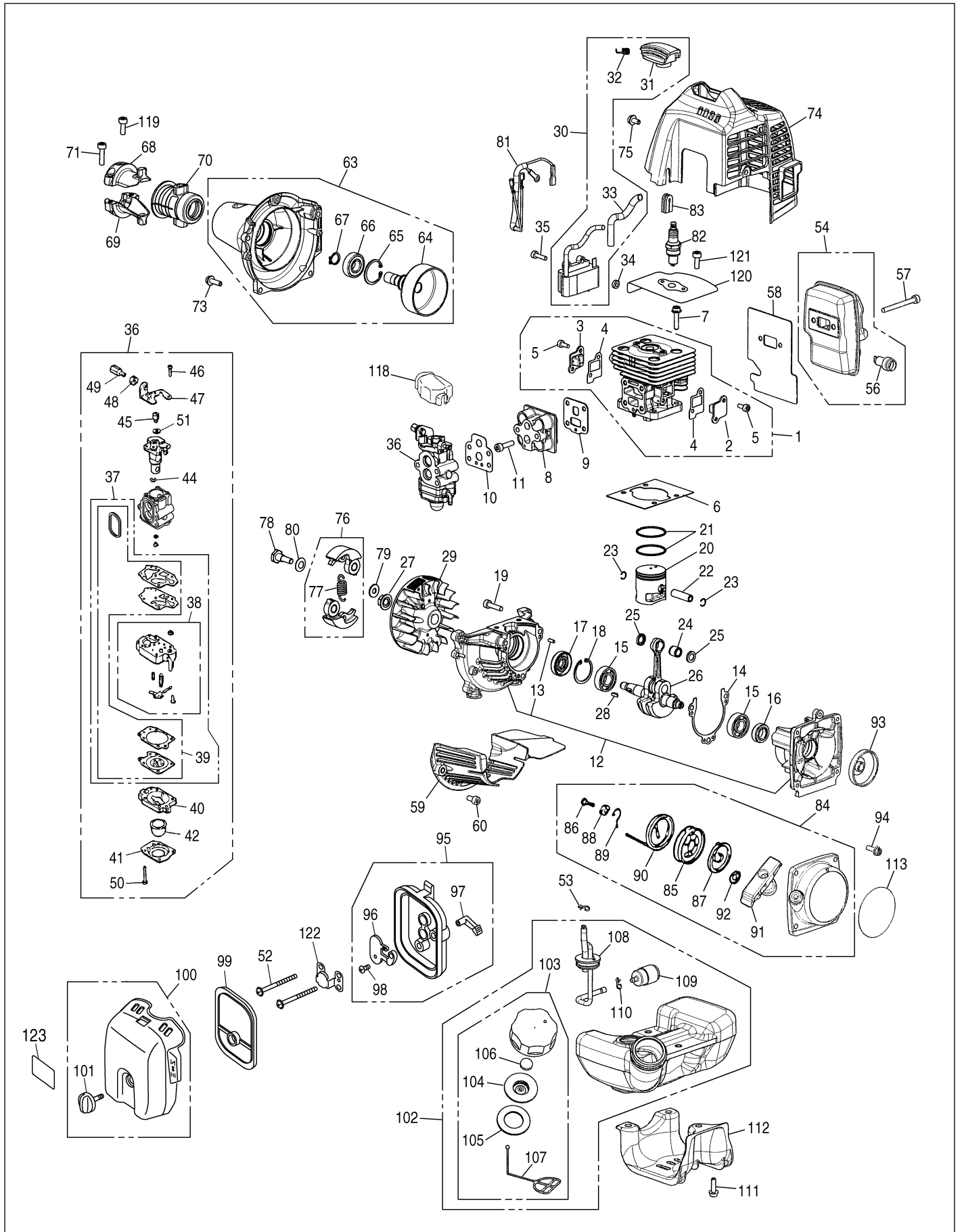


Fig.3 ENGINE UNIT

| Key# | Part Number  | Description      | Q'ty | Key# | Part Number  | Description          | Q'ty |
|------|--------------|------------------|------|------|--------------|----------------------|------|
| 1    | 528 05 21-01 | CYLINDER COMP.   | 1    | 63   | 528 05 85-01 | HOUSING ASSY         | 1    |
| 2    | 506 65 41-01 | • COVER, TR-S    | 1    | 64   | 521 60 98-01 | • DRUM               | 1    |
| 3    | 506 65 42-01 | • COVER, TR-F    | 1    | 65   | 506 60 99-01 | • RING               | 1    |
| 4    | 506 65 43-01 | • GASKET, TR     | 2    | 66   | 525 95 32-01 | • BEARING            | 1    |
| 5    | 521 51 56-01 | • BOLT           | 4    | 67   | 516 12 41-01 | • SNAP RING          | 1    |
| 6    | 521 75 19-01 | GASKET, base     | 1    | 68   | 521 76 82-01 | BRACKET (A)          | 1    |
| 7    | 521 34 52-01 | BOLT TORX        | 4    | 69   | 521 76 83-01 | BRACKET (B)          | 1    |
| 8    | 511 34 97-01 | INSULATOR        | 1    | 70   | 521 76 85-01 | CUSHION              | 1    |
| 9    | 511 35 00-01 | GASKET, insu     | 1    | 71   | 521 34 54-01 | BOLT TORX            | 2    |
| 10   | 506 65 48-01 | GASKET, carb     | 1    | 73   | 521 34 79-01 | BOLT TORX            | 4    |
| 11   | 506 68 90-01 | BOLT TORX        | 4    | 74   | 511 35 05-01 | COVER, engine        | 1    |
| 12   | 521 75 27-01 | CRANKCASE COMP.  | 1    | 75   | 521 51 59-01 | BOLT TORX            | 2    |
| 13   | 516 76 28-01 | • PIN            | 3    | 76   | 512 32 83-01 | SHOE COMP.           | 1    |
| 14   | 506 68 48-01 | GASKET, case     | 1    | 77   | 521 34 67-01 | • SPRING             | 1    |
| 15   | 523 07 17-01 | BEARING          | 2    | 78   | 516 20 79-01 | SCREW                | 2    |
| 16   | 521 34 00-01 | SEAL             | 1    | 79   | 516 20 77-01 | WASHER               | 2    |
| 17   | 516 53 92-01 | SEAL             | 1    | 80   | 516 20 78-01 | WASHER               | 2    |
| 18   | 506 60 99-01 | RING             | 1    | 81   | 521 75 38-01 | CORD COMP.           | 1    |
| 19   | 521 34 54-01 | BOLT TORX        | 3    | 82   | 528 07 40-01 | SPARKPLUG (CMR7H-10) | 1    |
| 20   | 528 05 23-01 | PISTON           | 1    | 83   | 521 34 25-01 | GROMET               | 1    |
| 21   | 506 61 81-01 | RING             | 2    | 84   | 521 75 39-01 | RECOIL ASSY          | 1    |
| 22   | 516 38 56-01 | PIN              | 1    | 85   | 521 32 67-01 | • REEL               | 1    |
| 23   | 516 25 57-01 | RING             | 2    | 86   | 521 32 68-01 | • SCREW              | 1    |
| 24   | 506 68 50-01 | BEARING          | 1    | 87   | 516 54 17-01 | • SPRING             | 1    |
| 25   | 516 18 12-01 | WASHER           | 2    | 88   | 521 32 70-01 | • COLLAR             | 1    |
| 26   | 528 05 84-01 | CRANKSHAFT COMP. | 1    | 89   | 521 32 71-01 | • ARM                | 1    |
| 27   | 516 43 74-01 | NUT              | 1    | 90   | 521 34 28-01 | • ROPE               | 1    |
| 28   | 516 14 78-01 | KEY              | 1    | 91   | 521 02 55-01 | • KNOB               | 1    |
| 29   | 574 76 34-01 | ROTOR            | 1    | 92   | 521 34 29-01 | • PLATE              | 1    |
| 30   | 574 76 32-01 | COIL ASSY        | 1    | 93   | 521 32 72-01 | PULLEY               | 1    |
| 31   | 521 61 00-01 | • CAP            | 1    | 94   | 521 34 65-01 | BOLT TORX            | 4    |
| 32   | 506 65 52-01 | • SPRING         | 1    | 95   | 528 07 49-01 | BODY ASSY            | 1    |
| 33   | 506 61 82-01 | • TUBE           | 1    | 96   | 528 07 43-01 | • PLATE, choke       | 1    |
| 34   | 516 25 81-01 | SPACER           | 2    | 97   | 528 07 44-01 | • LEVER              | 1    |
| 35   | 521 34 69-01 | BOLT TORX        | 2    | 98   | 521 74 09-01 | • SCREW              | 1    |
| 36   | 575 45 90-01 | CARBURETOR ASSY  | 1    | 99   | 528 07 47-01 | ELEMENT              | 1    |
| 37   | 528 07 01-01 | • REBUILD KIT    | 1    | 100  | 575 83 27-01 | COVER ASSY           | 1    |
| 38   | 516 54 36-01 | •• BODY ASSY     | 1    | 101  | 528 07 46-01 | • KNOB               | 1    |
| 39   | 525 31 31-01 | •• GASKET KIT    | 1    | 102  | 528 05 01-01 | TANK ASSY            | 1    |
| 40   | 516 54 38-01 | • BODY           | 1    | 103  | 521 73 22-01 | • CAP ASSY           | 1    |
| 41   | 516 54 39-01 | • COVER          | 1    | 104  | 521 32 95-01 | •• HOLDER ASSY       | 1    |
| 42   | 516 52 58-01 | • PUMP           | 1    | 105  | 521 32 93-01 | •• PACKING           | 1    |
| 44   | 516 52 36-01 | • RING           | 1    | 106  | 521 37 71-01 | •• FILTER            | 1    |
| 45   | 516 59 77-01 | • SWIVEL         | 1    | 107  | 521 34 78-01 | •• STOPPER           | 1    |
| 46   | 516 52 87-01 | • SCREW          | 2    | 108  | 521 75 46-01 | • PIPE COMP.         | 1    |
| 47   | 521 35 99-01 | • BRACKET        | 1    | 109  | 525 31 36-01 | • FILTER             | 1    |
| 48   | 516 52 41-01 | • NUT            | 1    | 110  | 516 26 21-01 | • CLIP               | 1    |
| 49   | 516 61 72-01 | • SCREW          | 1    | 111  | 521 34 79-01 | BOLT TORX            | 3    |
| 50   | 516 54 40-01 | • SCREW          | 4    | 112  | 521 75 31-01 | GUARD, tank          | 1    |
| 51   | 521 36 04-01 | • WASHER         | 1    | 113  | 528 05 25-01 | LABEL, recoil        | 1    |
| 52   | 521 51 55-01 | BOLT TORX        | 2    | 118  | 521 32 79-01 | COVER                | 1    |
| 53   | 516 62 48-01 | CLIP             | 1    | 119  | 521 34 53-01 | BOLT                 | 1    |
| 54   | 521 61 35-01 | MUFFLER ASSY     | 1    | 120  | 511 34 95-01 | PLATE                | 1    |
| 56   | 521 33 83-01 | • ARRESTER       | 1    | 121  | 521 34 53-01 | BOLT                 | 2    |
| 57   | 521 34 55-01 | BOLT TORX        | 2    | 122  | 575 75 04-01 | PLATE                | 1    |
| 58   | 511 35 04-01 | GASKET, muff     | 1    | 123  | 523 07 14-01 | LABEL, caution       | 1    |
| 59   | 506 62 96-01 | PLATE            | 1    |      |              |                      |      |
| 60   | 521 34 53-01 | BOLT TORX        | 2    |      |              |                      |      |

EXZ2460S-PH

Fig.4 LRT-EX3

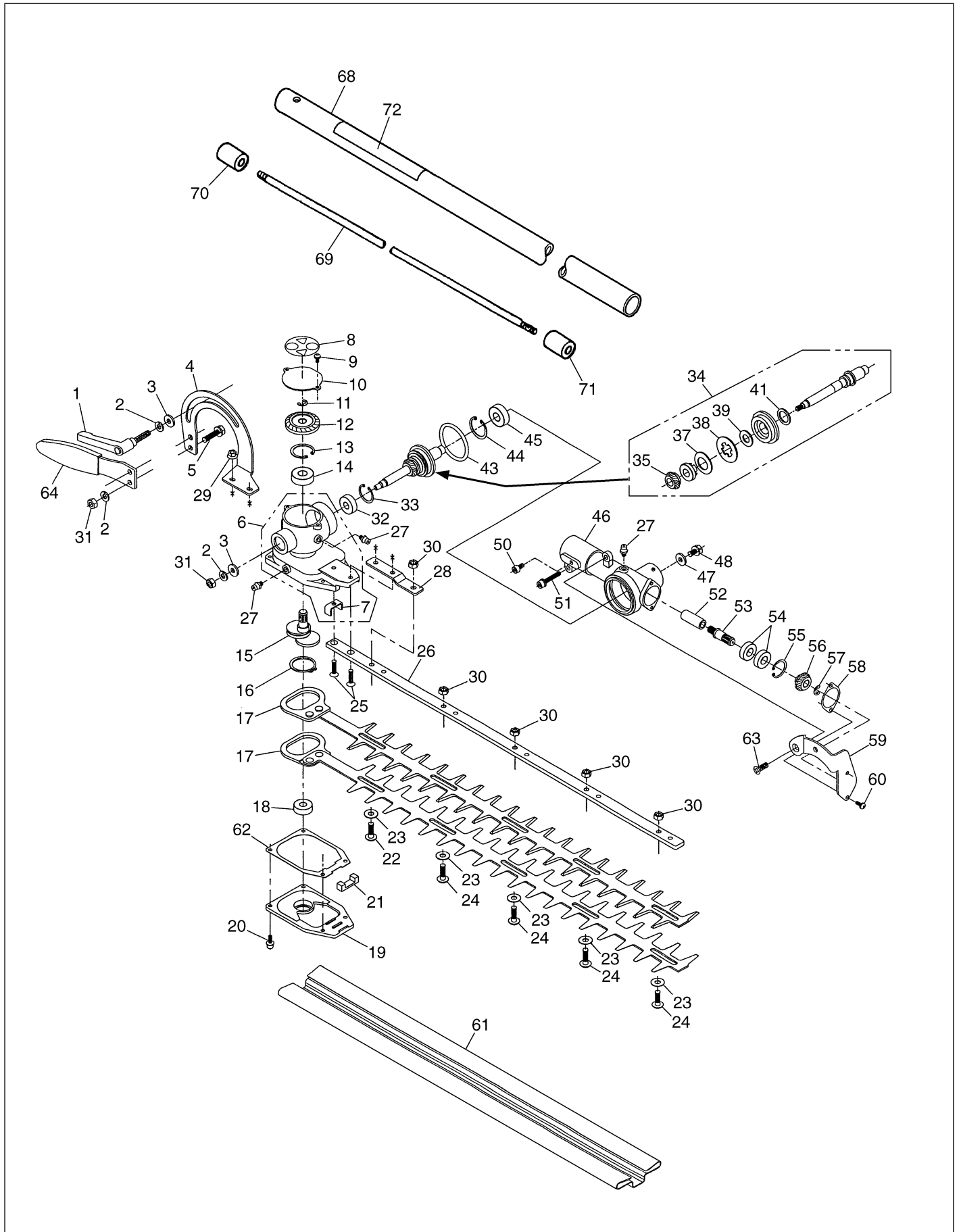




Fig.4 LRT-EX3

| Key# | Part Number  | Description     | Q'ty | Key# | Part Number  | Description         | Q'ty |
|------|--------------|-----------------|------|------|--------------|---------------------|------|
| 1    | 510 97 26-01 | LEVER, clamp    | 1    | 50   | 516 07 04-01 | BOLT M5x10          | 1    |
| 2    | 516 11 84-01 | WASHER M6       | 4    | 51   | 521 04 98-01 | BOLT M5x30          | 1    |
| 3    | 521 50 34-01 | WASHER 6x16x2.0 | 2    | 52   | 521 50 37-01 | JOINT               | 1    |
| 4    | 510 97 27-01 | ANGLE ADJUSTER  | 1    | 53   | 521 49 59-01 | GEAR SHAFT B        | 1    |
| 5    | 516 08 93-01 | BOLT M6x12      | 2    | 54   | 521 50 38-01 | BEARING 6900RS      | 2    |
| 6    | 521 50 16-01 | CASING A SET    | 1    | 55   | 516 12 53-01 | SNAP RING           | 1    |
| 7    | 521 50 18-01 | • PLATE         | 1    | 56   | 521 50 39-01 | BEVEL GEAR          | 1    |
| 8    | 521 50 19-01 | LABEL           | 1    | 57   | 521 49 41-01 | SNAP RING           | 1    |
| 9    | 516 10 76-01 | SCREW M4x8      | 2    | 58   | 521 49 62-01 | PACKING             | 1    |
| 10   | 521 49 40-01 | COVER           | 1    | 59   | 510 97 35-01 | PLATE               | 1    |
| 11   | 521 49 41-01 | SNAP RING       | 1    | 60   | 516 10 77-01 | SCREW M4x10         | 2    |
| 12   | 521 50 20-01 | BEBEL GEAR      | 1    | 61   | 576 26 20-01 | BLADE COVER         | 1    |
| 13   | 516 12 55-01 | SNAP RING       | 1    | 62   | 521 50 30-01 | PACKING             | 1    |
| 14   | 516 13 12-01 | BEARING         | 1    | 63   | 510 97 25-01 | SCREW               | 1    |
| 15   | 521 50 21-01 | CRANK SHAFT     | 1    | 64   | 510 97 28-01 | HANDLE              | 1    |
| 16   | 516 12 48-01 | SNAP RING       | 1    |      |              |                     |      |
| 17   | 576 26 18-01 | BLADE           | 2    | 68   | 521 81 35-01 | PIPE COMP., ø24x750 | 1    |
| 18   | 521 50 25-01 | BEARING 608Z    | 1    | 69   | 521 81 36-01 | SHAFT, 75x7         | 1    |
| 19   | 521 50 27-01 | COVER           | 1    | 70   | 521 40 25-01 | SHAFT-JOINT         | 1    |
| 20   | 521 53 61-01 | BOLT M4x12      | 4    | 71   | 521 40 26-01 | SPACER              | 1    |
| 21   | 521 50 29-01 | FELT            | 1    | 72   | 576 62 45-01 | PLATE-NAME          | 1    |
| 22   | 521 29 75-01 | SCREW           | 1    |      |              |                     |      |
| 23   | 521 29 30-01 | WASHER          | 4    |      |              |                     |      |
| 24   | 521 49 49-01 | SCREW L17       | 3    |      |              |                     |      |
| 25   | 521 49 51-01 | SCREW M5x20     | 2    |      |              |                     |      |
| 26   | 576 26 19-01 | GUIDE PLATE     | 1    |      |              |                     |      |
| 27   | 520 90 18-01 | GREESE FITTING  | 3    |      |              |                     |      |
| 28   | 521 50 32-01 | PLATE           | 1    |      |              |                     |      |
| 29   | 521 50 41-01 | NUT M5          | 2    |      |              |                     |      |
| 30   | 521 29 31-01 | NUT M6          | 4    |      |              |                     |      |
| 31   | 516 11 65-01 | NUT M6          | 3    |      |              |                     |      |
| 32   | 521 49 46-01 | BEARING 608 2RS | 1    |      |              |                     |      |
| 33   | 516 12 53-01 | SNAP RING       | 1    |      |              |                     |      |
| 34   | 521 83 02-01 | SHAFT KIT       | 1    |      |              |                     |      |
| 35   | 521 83 04-01 | • GEAR(C)       | 1    |      |              |                     |      |
| 37   | 521 83 05-01 | • SPRING        | 1    |      |              |                     |      |
| 38   | 521 83 06-01 | • PLATE         | 1    |      |              |                     |      |
| 39   | 521 83 07-01 | • WASHER        | 1    |      |              |                     |      |
| 41   | 521 83 08-01 | • WASHER        | 1    |      |              |                     |      |
| 43   | 521 49 55-01 | O-RING P41      | 1    |      |              |                     |      |
| 44   | 516 12 55-01 | SNAP RING       | 1    |      |              |                     |      |
| 45   | 516 13 12-01 | BEARING         | 1    |      |              |                     |      |
| 46   | 510 97 21-01 | CASING N        | 1    |      |              |                     |      |
| 47   | 521 50 34-01 | WASHER 6x16x2.0 | 1    |      |              |                     |      |
| 48   | 516 06 66-01 | BOLT M6x12      | 1    |      |              |                     |      |

EXZ2460S-PH

Fig.5 PS-EX

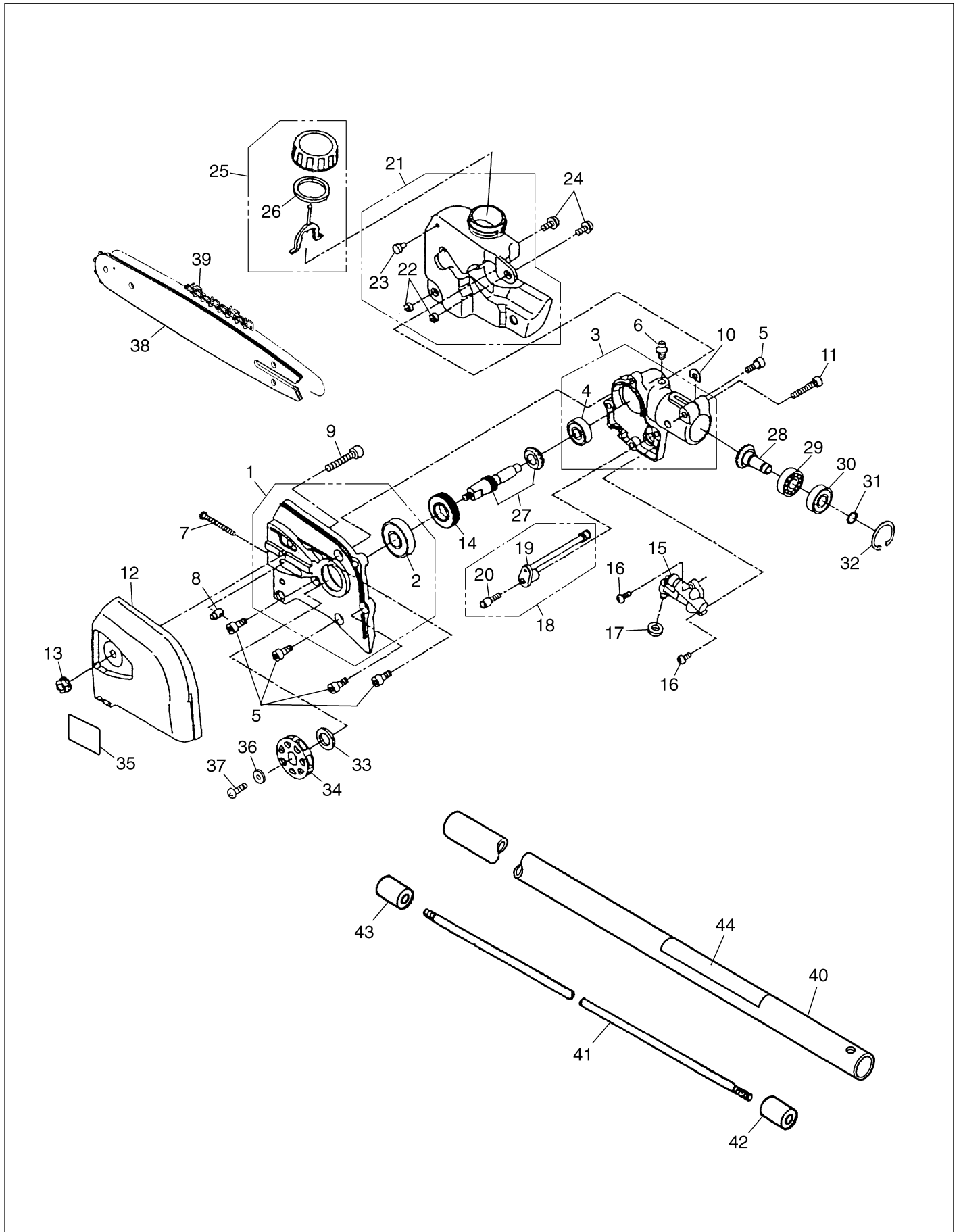


Fig.5 PS-EX

| Key# | Part Number  | Description        | Q'ty | Key# | Part Number | Description | Q'ty |
|------|--------------|--------------------|------|------|-------------|-------------|------|
| 1    | 521 53 68-01 | GEAR CASE (L)COMP. | 1    |      |             |             |      |
| 2    | 506 61 01-01 | • BEARING          | 1    |      |             |             |      |
| 3    | 521 80 89-01 | GEAR CASE (R)COMP. | 1    |      |             |             |      |
| 4    | 516 13 04-01 | • BEARING          | 1    |      |             |             |      |
| 5    | 516 07 04-01 | BOLT               | 5    |      |             |             |      |
| 6    | 520 90 18-01 | FITTING            | 1    |      |             |             |      |
| 7    | 521 80 91-01 | SCREW, tensioner   | 1    |      |             |             |      |
| 8    | 521 80 92-01 | NUT, tensioner     | 1    |      |             |             |      |
| 9    | 522 65 54-01 | BOLT               | 1    |      |             |             |      |
| 10   | 521 80 90-01 | SHIM               | 1    |      |             |             |      |
| 11   | 520 93 14-01 | BOLT               | 1    |      |             |             |      |
| 12   | 521 80 97-01 | CHAIN COVER        | 1    |      |             |             |      |
| 13   | 521 80 98-01 | NUT                | 1    |      |             |             |      |
| 14   | 521 81 02-01 | WORM GEAR          | 1    |      |             |             |      |
| 15   | 521 81 01-01 | OIL PUMP ASSY      | 1    |      |             |             |      |
| 16   | 516 10 93-01 | SCREW              | 2    |      |             |             |      |
| 17   | 521 81 03-01 | GASKET             | 1    |      |             |             |      |
| 18   | 521 81 05-01 | OIL PIPE ASSY      | 1    |      |             |             |      |
| 19   | 521 81 06-01 | • OIL PIPE         | 1    |      |             |             |      |
| 20   | 521 81 07-01 | • FILTER           | 1    |      |             |             |      |
| 21   | 521 53 67-01 | OIL TANK ASSY      | 1    |      |             |             |      |
| 22   | 521 81 09-01 | • COLLAR           | 2    |      |             |             |      |
| 23   | 521 81 10-01 | • VALVE            | 1    |      |             |             |      |
| 24   | 521 81 11-01 | SCREW              | 2    |      |             |             |      |
| 25   | 521 81 12-01 | OIL CAP ASSY       | 1    |      |             |             |      |
| 26   | 521 81 13-01 | • GASKET OIL CAP   | 1    |      |             |             |      |
| 27   | 521 80 95-01 | GEAR SHAFT         | 1    |      |             |             |      |
| 28   | 521 80 96-01 | BEVEL, pinion      | 1    |      |             |             |      |
| 29   | 505 16 92-01 | BEARING            | 1    |      |             |             |      |
| 30   | 516 13 03-01 | BEARING            | 1    |      |             |             |      |
| 31   | 520 91 05-01 | SNAP RING          | 1    |      |             |             |      |
| 32   | 505 16 94-01 | SNAP RING          | 1    |      |             |             |      |
| 33   | 521 80 99-01 | COLLAR             | 1    |      |             |             |      |
| 34   | 521 81 00-01 | SPROCKET           | 1    |      |             |             |      |
| 35   | 521 81 04-01 | LABEL              | 1    |      |             |             |      |
| 36   | 521 80 93-01 | WASHER             | 1    |      |             |             |      |
| 37   | 521 80 94-01 | SCREW              | 1    |      |             |             |      |
| 38   | 574 14 52-01 | BAR 12SP 3/8       | 1    |      |             |             |      |
| 39   | 574 10 26-01 | CHAIN91VG-J44E     | 1    |      |             |             |      |
| 40   | 521 81 35-01 | PIPE-COMP, ø24x750 | 1    |      |             |             |      |
| 41   | 521 81 36-01 | SHAFT, 755x7       | 1    |      |             |             |      |
| 42   | 521 40 25-01 | SHAFT-JOINT        | 1    |      |             |             |      |
| 43   | 521 40 26-01 | SPACER             | 1    |      |             |             |      |
| 44   | 510 98 78-01 | PLATE-NAME         | 1    |      |             |             |      |

EXZ2460S-PH

Fig.6 HE-EX2

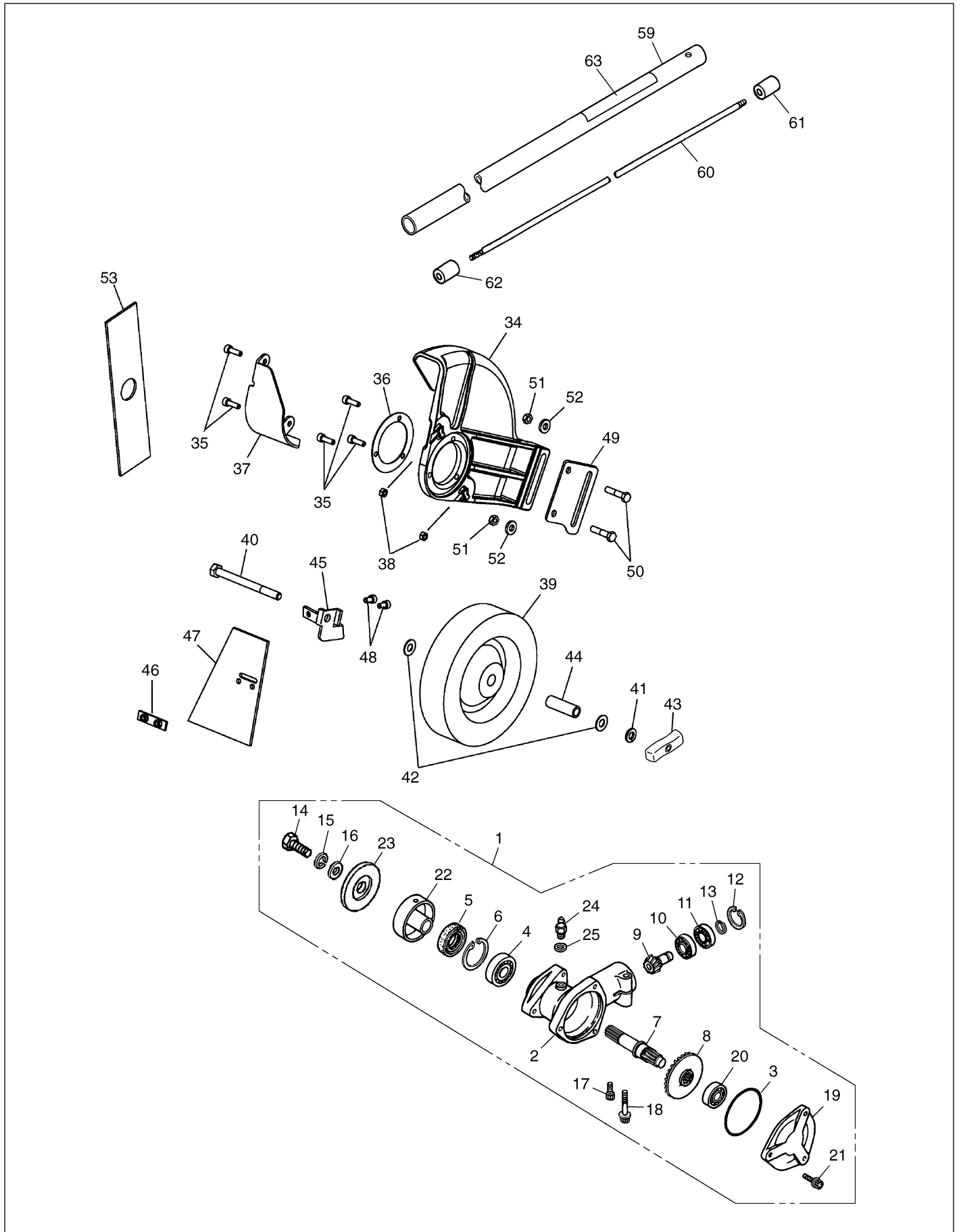


Fig.6 HE-EX2

| Key# | Part Number  | Description              | Q'ty | Key# | Part Number  | Description | Q'ty |
|------|--------------|--------------------------|------|------|--------------|-------------|------|
| 1    | 521 45 22-01 | GEARCASE ASSY            | 1    | 61   | 521 40 25-01 | SHAFT-JOINT | 1    |
| 2    | 521 45 23-01 | • GEARCASE               | 1    | 62   | 521 40 26-01 | SPACER      | 1    |
| 3    | 521 45 27-01 | • O-RING                 | 1    | 63   | 510 98 65-01 | PLATE-NAME  | 1    |
| 4    | 516 12 82-01 | • BEARING                | 1    |      |              |             |      |
| 5    | 520 88 98-01 | • SEAL                   | 1    |      |              |             |      |
| 6    | 504 12 10-01 | • RING                   | 1    |      |              |             |      |
| 7    | 521 17 88-01 | • SHAFT                  | 1    |      |              |             |      |
| 8    | 521 45 25-01 | • GEAR                   | 1    |      |              |             |      |
| 9    | 521 45 26-01 | • PINION                 | 1    |      |              |             |      |
| 10   | 505 16 92-01 | • BEARING                | 1    |      |              |             |      |
| 11   | 505 16 93-01 | • BEARING                | 1    |      |              |             |      |
| 12   | 505 16 94-01 | • RING                   | 1    |      |              |             |      |
| 13   | 520 91 05-01 | • RING                   | 1    |      |              |             |      |
| 14   | 521 20 99-01 | • BOLT                   | 1    |      |              |             |      |
| 15   | 520 96 65-01 | • WASHER                 | 1    |      |              |             |      |
| 16   | 505 16 98-01 | • WASHER                 | 1    |      |              |             |      |
| 17   | 516 07 04-01 | • BOLT                   | 1    |      |              |             |      |
| 18   | 521 17 19-01 | • BOLT                   | 1    |      |              |             |      |
| 19   | 521 45 24-01 | • COVER                  | 1    |      |              |             |      |
| 20   | 505 17 02-01 | • BEARING                | 1    |      |              |             |      |
| 21   | 574 08 13-01 | • BOLT                   | 3    |      |              |             |      |
| 22   | 521 17 90-01 | • HOLDER (A)             | 1    |      |              |             |      |
| 23   | 521 17 91-01 | • HOLDER (B)             | 1    |      |              |             |      |
| 24   | 520 90 18-01 | • FITTING                | 1    |      |              |             |      |
| 25   | 505 17 16-01 | • WASHER                 | 1    |      |              |             |      |
| 34   | 510 98 10-01 | GUARD                    | 1    |      |              |             |      |
| 35   | 505 17 18-01 | BOLT                     | 5    |      |              |             |      |
| 36   | 505 17 19-01 | PLATE                    | 1    |      |              |             |      |
| 37   | 526 05 94-01 | PLATE, PROTECTOR         | 1    |      |              |             |      |
| 38   | 516 11 64-01 | NUT                      | 2    |      |              |             |      |
| 39   | 505 17 25-01 | WHEEL                    | 1    |      |              |             |      |
| 40   | 574 06 98-01 | BOLT                     | 1    |      |              |             |      |
| 41   | 505 17 29-01 | WASHER, SPRING           | 1    |      |              |             |      |
| 42   | 516 07 87-01 | WASHER, PLANE            | 2    |      |              |             |      |
| 43   | 527 06 86-01 | WING NUT                 | 1    |      |              |             |      |
| 44   | 505 17 33-01 | SLEEVE                   | 1    |      |              |             |      |
| 45   | 505 17 35-01 | BRACKET                  | 1    |      |              |             |      |
| 46   | 505 17 36-01 | PLATE, RUBBER            | 1    |      |              |             |      |
| 47   | 505 17 37-01 | RUBBER                   | 1    |      |              |             |      |
| 48   | 516 07 03-01 | BOLT                     | 2    |      |              |             |      |
| 49   | 505 17 46-01 | MAIN BRACKET             | 1    |      |              |             |      |
| 50   | 574 06 97-01 | BOLT                     | 2    |      |              |             |      |
| 51   | 505 17 48-01 | NUT                      | 2    |      |              |             |      |
| 52   | 516 07 87-01 | WASHER                   | 2    |      |              |             |      |
| 53   | 521 45 30-01 | BLADE                    | 1    |      |              |             |      |
| 59   | 521 81 40-01 | PIPE-COMP, $\phi$ 24x750 | 1    |      |              |             |      |
| 60   | 521 81 36-01 | SHAFT, 755x7             | 1    |      |              |             |      |

EXZ2460S-PH

Fig.7 RMS-EX

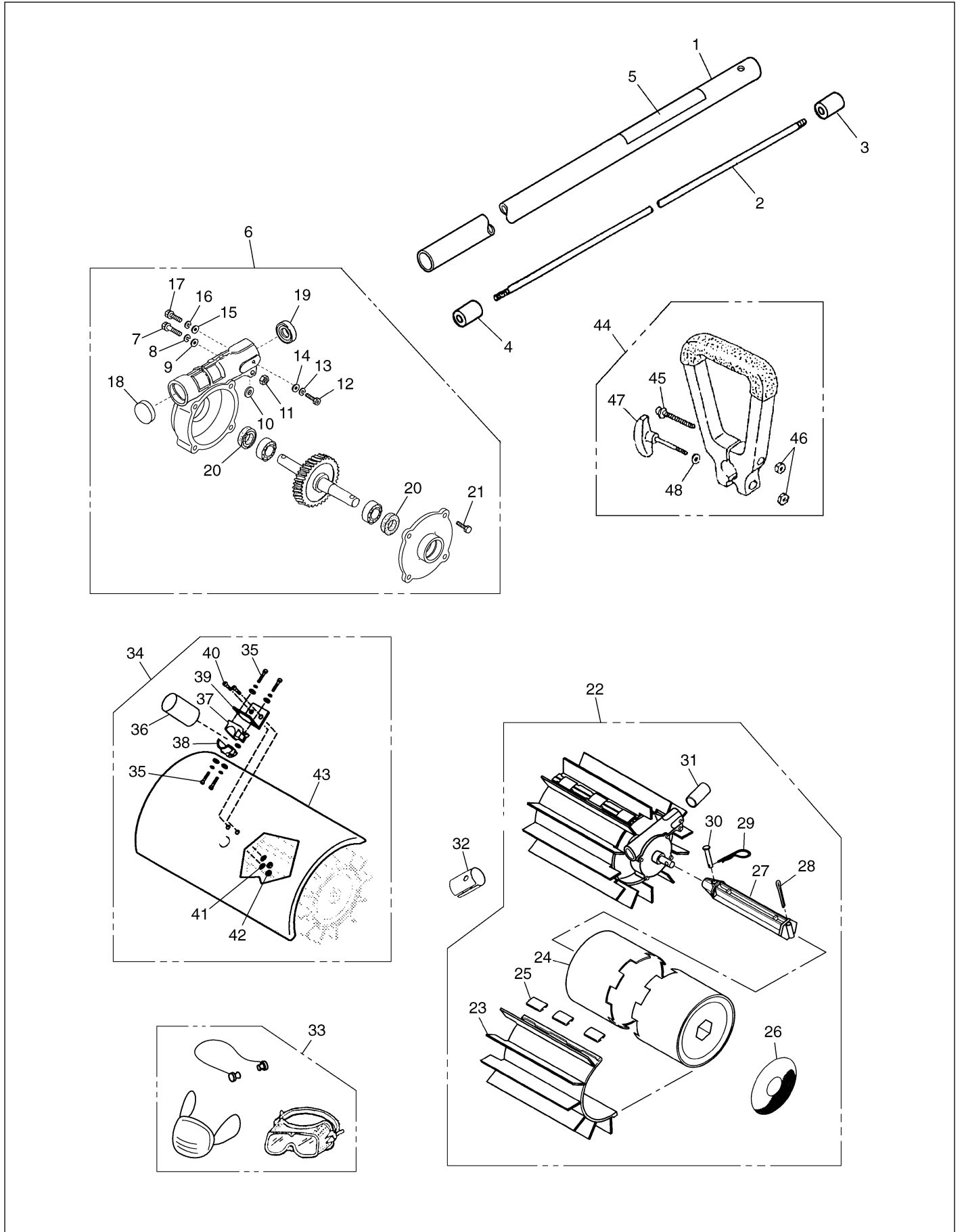


Fig.7 RMS-EX

| Key# | Part Number  | Description  | Q'ty | Key# | Part Number  | Description | Q'ty |
|------|--------------|--|------|------|--------------|-------------|------|
| 1    | 510 99 45-01 | PIPE COMP.   | 1    | 47   | 574 09 86-01 | • Knob      | 1    |
| 2    | 521 81 36-01 | SHAFT  | 1    | 48   | 574 09 87-01 | • Washer    | 2    |
| 3    | 521 40 25-01 | SHAFT-JOINT  | 1    |      |              |             |      |
| 4    | 521 40 26-01 | SPACER   | 1    |      |              |             |      |
| 5    | 510 99 47-01 | PLATE-NAME   | 1    |      |              |             |      |
| 6    | 695 00 06-85 | Gear Case  | 1    |      |              |             |      |
| 7    | 522 65 54-01 | • Bolt M6x30   | 1    |      |              |             |      |
| 8    | 516 07 65-01 | • Spring Washer M6                                     | 1    |      |              |             |      |
| 9    | 574 04 44-01 | • Washer M6, t1.6                                      | 1    |      |              |             |      |
| 10   | 574 04 44-01 | • Washer M6, t1.6                                      | 1    |      |              |             |      |
| 11   | 510 52 96-01 | • Nut M6   | 1    |      |              |             |      |
| 12   | 516 07 04-01 | • Bolt M5x12   | 1    |      |              |             |      |
| 13   | 516 07 63-01 | • Spring Washer M5                                     | 1    |      |              |             |      |
| 14   | 516 07 75-01 | • Washer M5  | 1    |      |              |             |      |
| 15   | 516 07 75-01 | • Washer M5  | 1    |      |              |             |      |
| 16   | 516 07 63-01 | • Spring Washer M5                                     | 1    |      |              |             |      |
| 17   | 574 04 49-01 | • Bolt M5x8  | 1    |      |              |             |      |
| 18   | 574 04 41-01 | • Plug, Housing  | 1    |      |              |             |      |
| 19   | 574 04 46-01 | • Oil Seal   | 1    |      |              |             |      |
| 20   | 574 04 47-01 | • Oil Seal   | 2    |      |              |             |      |
| 21   | 574 04 43-01 | • Bolt #10-25 5/8                                      | 4    |      |              |             |      |
| 22   | 574 15 78-01 | Sweeper Assy   | 1    |      |              |             |      |
| 23   | 695 00 06-77 | • Belt   | 2    |      |              |             |      |
| 24   | 695 00 06-78 | • Drum   | 4    |      |              |             |      |
| 25   | 695 00 06-79 | • Belt Clip  | 12   |      |              |             |      |
| 26   | 574 04 48-01 | • Decal  | 2    |      |              |             |      |
| 27   | 695 00 06-81 | • Drum Axle  | 2    |      |              |             |      |
| 28   | 695 00 06-82 | • Cotter Pin   | 2    |      |              |             |      |
| 29   | 695 00 06-83 | • Hitch Pin  | 2    |      |              |             |      |
| 30   | 695 00 06-84 | • Clevis Pin   | 2    |      |              |             |      |
| 31   | 695 00 06-88 | • Tube Protector                                       | 1    |      |              |             |      |
| 32   | 695 00 06-86 | Spacer   | 1    |      |              |             |      |
| 33   | 574 10 56-01 | Safety Kit<br>Ear Plugs, Dust Musk &<br>Eye Protection | 1    |      |              |             |      |
| 34   | 574 10 50-01 | Debris Shield  | 1    |      |              |             |      |
| 35   | 574 09 01-01 | • Boltspw  | 4    |      |              |             |      |
| 36   | 574 09 26-01 | • Spacer   | 1    |      |              |             |      |
| 37   | 574 09 89-01 | • Handle bracket                                       | 1    |      |              |             |      |
| 38   | 574 09 90-01 | • Lowercap   | 1    |      |              |             |      |
| 39   | 574 10 39-01 | • Shield bracket                                       | 1    |      |              |             |      |
| 40   | 574 10 40-01 | • Bolt   | 2    |      |              |             |      |
| 41   | 574 10 41-01 | • Washer   | 2    |      |              |             |      |
| 42   | 574 10 42-01 | • Nut  | 2    |      |              |             |      |
| 43   | 574 10 50-01 | • Debris shield  | 1    |      |              |             |      |
| 44   | 574 09 91-01 | Handle Assy  | 1    |      |              |             |      |
| 45   | 574 09 88-01 | • Scraw  | 1    |      |              |             |      |
| 46   | 574 08 96-01 | • Nut  | 2    |      |              |             |      |