

PARTS LIST**BACKPACK BLOWER****LISTE DES PIÈCES****SOUFFLANTE DORSALE****LISTA DE PIEZAS****SOPLADOR DE MOCHILA****EBZ8500****NOTE :**

1. Use RedMax genuine parts as specified in the parts list for repair and/or replacement.
2. RedMax does not warrant the machines, which have been damaged by the use of any parts other than those specified by the company.
3. When placing parts orders for repair and/or replacement, check if the model name and the serial number are applicable to those specified in the parts list, then use parts number described in the parts list.
4. The contents described in the parts list may change due to improvement.
5. The parts for the machine shall be supplied seven (7) years after the machine is discontinued. [It is possible that some specific parts may be subject to change of their delivery term and list price within the limit of seven (7) years after the machine is discontinued. It is also possible that some parts may be available even after the limit of seven (7) years.]

REMARQUE :

1. Pour toute réparation et/ou remplacement, utiliser uniquement les pièces de marque RedMax comme précisé dans la liste des pièces.
2. RedMax ne garantit pas les machines qui ont été endommagées suite à l'utilisation de pièces autres que celles spécifiées par la société.
3. Lorsque vous passez une commande pour une réparation et/ou un remplacement, vérifier si le nom du modèle et le numéro de série s'appliquent à ceux précisés dans la liste des pièces, utiliser ensuite le numéro de pièce figurant dans la liste des pièces.
4. Le contenu décrit dans la liste des pièces peut être modifié dans un souci d'amélioration.
5. Les pièces de la machine seront disponibles pendant sept (7) ans après l'arrêt de fabrication de cette machine. [Il est possible que certaines pièces particulières soient soumises à des changements en ce qui concerne les conditions de livraison et le prix courant dans une limite de sept (7) ans une fois la fabrication de la machine arrêtée. Il est également possible que certaines pièces soient toujours disponibles même après la limite de sept (7) ans.]

NOTA:

1. Para reparaciones o cambios, utilice piezas RedMax genuinas según se especifica en la lista de piezas.
2. RedMax no garantiza máquinas que se han dañado por el uso de piezas distintas a las especificadas por la compañía.
3. Al solicitar piezas para reparación y/o reemplazo, compruebe que el nombre y el número de serie del modelo corresponden con los indicados en la lista de piezas, y utilice los números de pieza indicados en la lista de piezas.
4. Las piezas incluidas en la lista de piezas pueden cambiar debido a mejoras.
5. Se suministrarán piezas para la máquina hasta siete (7) años después de que la máquina haya sido discontinuada. [Algunas piezas específicas pueden estar sujetas a cambios en los términos de entrega y precios de lista dentro de un límite de siete (7) años después de que la máquina ha sido discontinuada. También puede suceder que ciertas piezas sigan estando disponibles una vez transcurrido el límite de siete (7) años.]

APPLICABLE SERIAL NUMBERS :

10200101 and up

NUMEROS DE SERIE APPLICABLES :

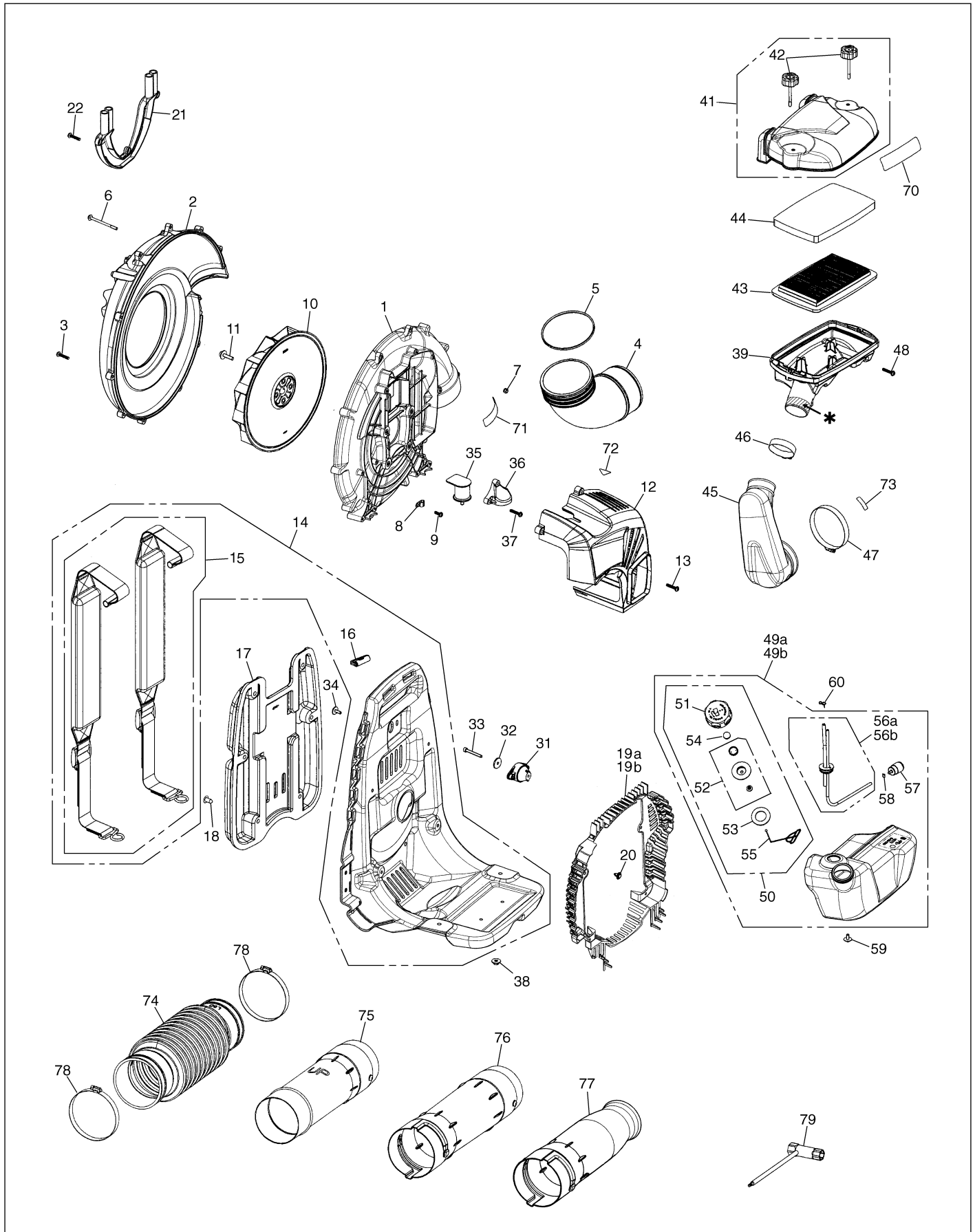
10200101 et au-delà

NÚMEROS DE SERIE APLICABLES:

10200101 y superior

EBZ8500

Fig.1 BLOWER GROUP



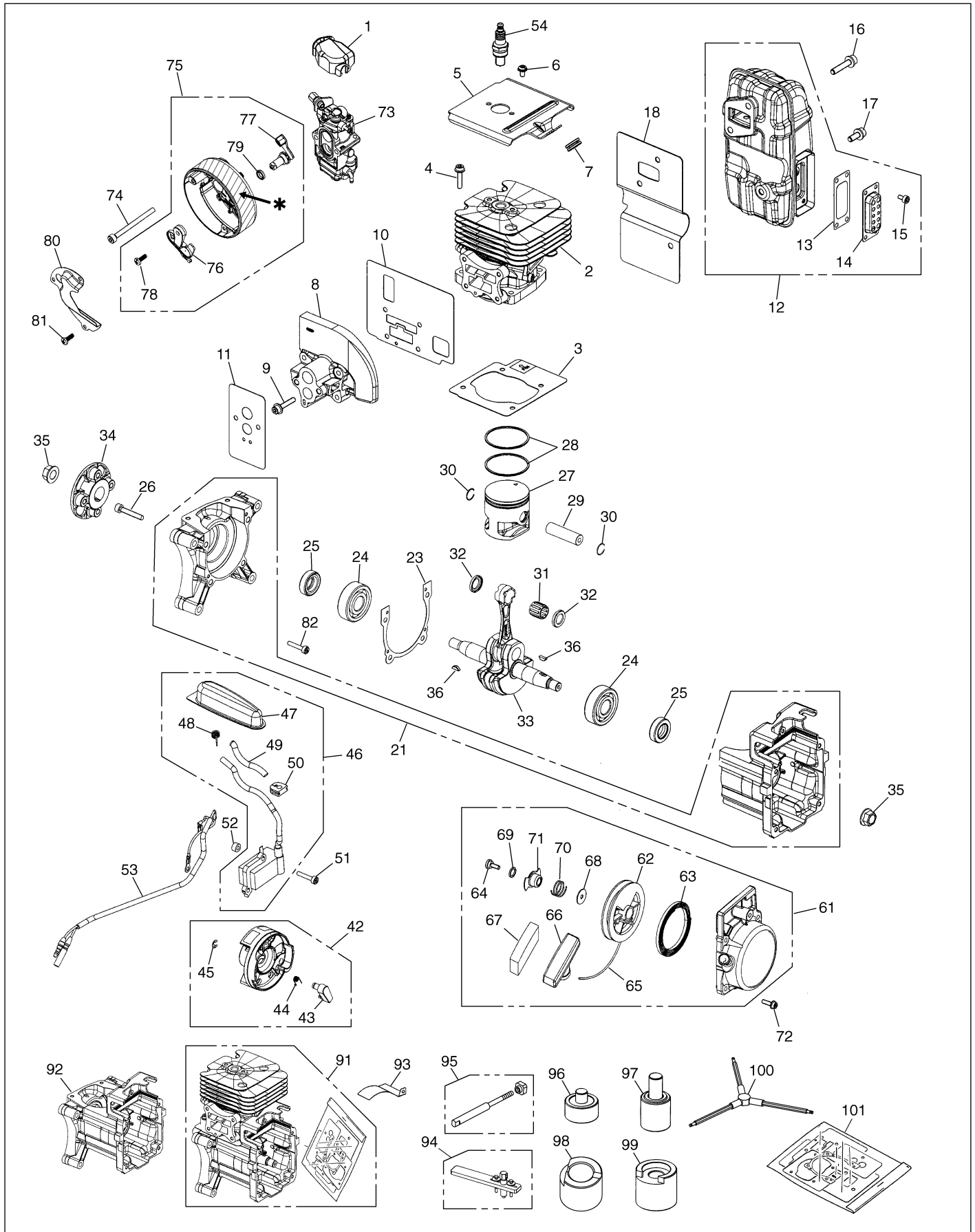
*:Apply grease "NLGI Grade 2 lithium lubricant" to the air cleaner body and the cup.

Fig.1 BLOWER GROUP

| Key# | Part Number | Description | Q'ty | Key# | Part Number | Description | Q'ty |
|------|--------------|---------------------------------------|------|------|--------------|----------------------------|------|
| 1 | 576 57 44-01 | VOLUTE, CASE | 1 | 54 | 506 74 68-01 | •• FILTER | 1 |
| 2 | 576 57 45-01 | VOLUTE, COVER | 1 | 55 | 504 11 79-01 | •• HOLDER | 1 |
| 3 | 512 84 81-01 | SCREW | 8 | 56a | 577 08 98-01 | • PIPE, COMP. (~#11299999) | 1 |
| 4 | 576 56 14-01 | ELBOW | 1 | 56b | 579 13 83-04 | • PIPE, COMP. (#20100001~) | 1 |
| 5 | 505 17 98-01 | O-RING | 1 | 57 | 506 74 26-01 | • FILTER | 1 |
| 6 | 544 26 46-01 | SCREW | 2 | 58 | 506 70 70-01 | • CLIP | 1 |
| 7 | 514 18 39-01 | NUT | 2 | 59 | 577 62 88-01 | SCREW | 2 |
| 8 | 521 52 51-01 | CLAMP | 2 | 60 | 506 74 15-01 | CLIP | 1 |
| 9 | 512 84 79-01 | SCREW | 2 | | | | |
| 10 | 576 56 15-01 | FAN | 1 | 70 | 576 57 59-01 | DECAL, CLEANER | 1 |
| 11 | 576 56 16-01 | BOLT | 4 | 71 | 577 08 34-01 | DECAL, CAUTION | 1 |
| 12 | 576 56 17-01 | ENGINE COVER | 1 | 72 | 521 55 36-01 | LABEL | 1 |
| 13 | 512 84 81-01 | SCREW | 5 | 73 | 521 74 02-01 | LABEL | 1 |
| 14 | 577 42 35-01 | FRAME, ASSY | 1 | 74 | 576 56 47-01 | HOSE | 1 |
| 15 | 511 75 84-01 | • BAND ASSY | 2 | 75 | 576 56 48-01 | PIPE | 1 |
| 16 | 544 27 00-01 | • CLIP | 2 | 76 | 576 56 49-01 | PIPE, STRAIGHT | 1 |
| 17 | 576 56 20-01 | PAD | 1 | 77 | 576 57 64-01 | PIPE, END | 1 |
| 18 | 526 47 67-01 | CLIP | 6 | 78 | 544 27 41-01 | CLAMP | 2 |
| 19a | 576 57 48-01 | NET (~#20899999) | 1 | 79 | 521 53 30-01 | SOCKET | 1 |
| 19b | 579 65 94-01 | NET (#20900101~) | 1 | | | | |
| 20 | 526 24 39-01 | CLIP | 4 | | | | |
| 21 | 576 57 46-01 | COVER | 1 | | | | |
| 22 | 512 84 81-01 | SCREW | 3 | | | | |
| | | | | | | | |
| 31 | 513 66 67-01 | DAMPER | 1 | | | | |
| 32 | 577 35 79-01 | WASHER | 1 | | | | |
| 33 | 576 81 03-01 | BOLT | 1 | | | | |
| 34 | 544 27 08-01 | SCREW M5x0.8 L16(mm) (Loctite 242) | 2 | | | | |
| 35 | 576 56 22-01 | DAMPER | 2 | | | | |
| 36 | 576 56 23-01 | BRACKET | 2 | | | | |
| 37 | 512 84 81-01 | SCREW | 6 | | | | |
| 38 | 513 66 75-01 | NUT | 2 | | | | |
| 39 | 576 56 37-01 | BODY | 1 | | | | |
| | | | | | | | |
| 41 | 576 57 50-01 | COVER, ASSY | 1 | | | | |
| 42 | 544 27 14-01 | • KNOB BOLT | 2 | | | | |
| 43 | 512 65 20-01 | ELEMENT | 1 | | | | |
| 44 | 512 65 41-01 | ELEMENT | 1 | | | | |
| 45 | 576 57 53-01 | HOSE | 1 | | | | |
| 46 | 544 27 19-01 | CLAMP | 1 | | | | |
| 47 | 544 27 40-01 | CLAMP | 1 | | | | |
| 48 | 512 84 81-01 | SCREW | 4 | | | | |
| 49a | 576 57 55-01 | TANK ASSY (~#11299999) | 1 | | | | |
| 49b | 579 14 02-01 | TANK ASSY (#20100001~) | 1 | | | | |
| 50 | 504 11 77-01 | • TANK CAP ASSY | 1 | | | | |
| 51 | 505 30 97-01 | •• CAP | 1 | | | | |
| 52 | 515 36 94-01 | •• HOLDER ASSY | 1 | | | | |
| 53 | 506 74 43-01 | •• PACKING | 1 | | | | |

EBZ8500

Fig.2 ENGINE GROUP



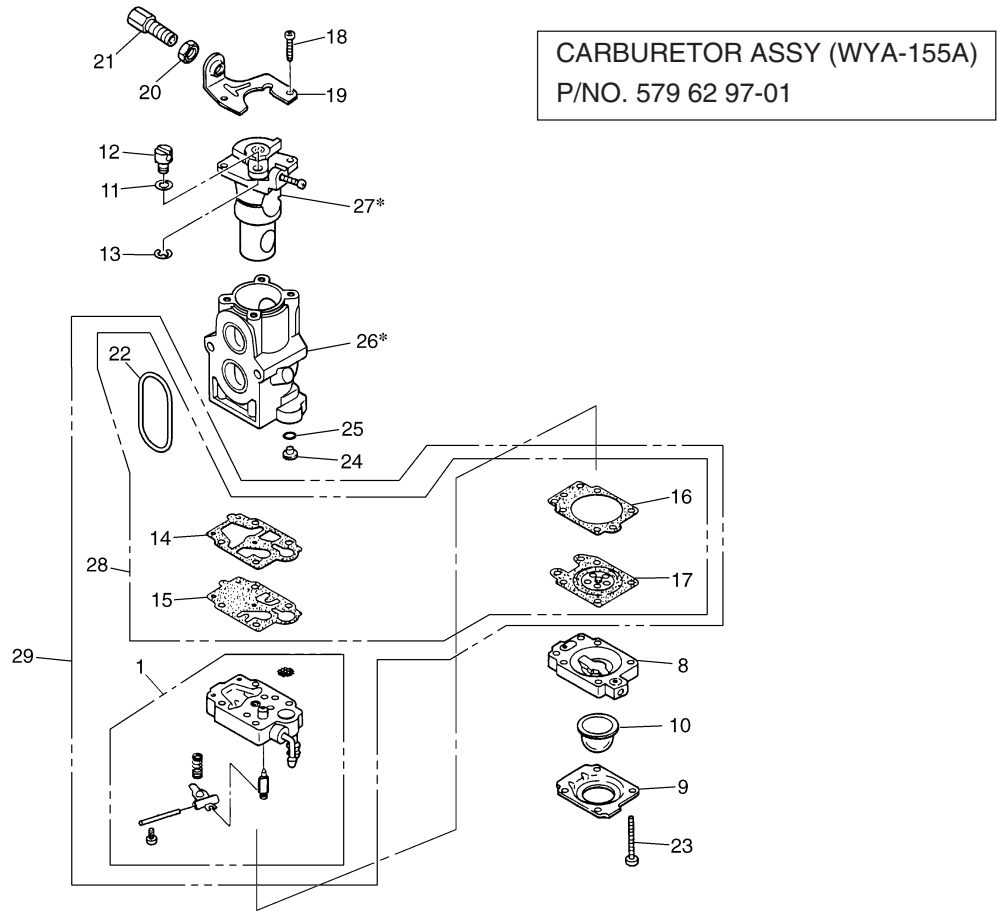
*:Apply grease "NLGI Grade 2 lithium lubricant" to the air cleaner body and the cup.

Fig.2 ENGINE GROUP

| Key# | Part Number | Description | Q'ty | Key# | Part Number | Description | Q'ty |
|------|--------------|---|------|------|--------------|--|------|
| 1 | 506 74 42-01 | COVER | 1 | 52 | 521 76 97-01 | SPACER | 2 |
| 2 | 577 42 40-01 | CYLINDER ASSY | 1 | 53 | 576 59 38-01 | CORD | 1 |
| 3 | 576 58 94-01 | GASKET | 1 | 54 | 521 23 34-01 | SPARK PLUG (NGK CMR7H) | 1 |
| 4 | 506 74 52-01 | BOLT | 4 | | | | |
| 5 | 576 58 95-01 | PLATE | 1 | | | | |
| 6 | 544 25 68-01 | SCREW | 2 | 61 | 576 59 40-01 | RECOIL ASSY | 1 |
| 7 | 576 58 96-01 | GROMMET | 1 | 62 | 576 59 42-01 | • REEL | 1 |
| 8 | 578 10 83-01 | INSULATOR | 1 | 63 | 521 62 96-01 | • SPRING | 1 |
| 9 | 576 58 98-01 | BOLT M5x0.8 L27(mm) (Loctite 242) | 4 | 64 | 515 36 71-01 | • SCREW | 1 |
| 10 | 577 35 78-01 | GASKET | 1 | 65 | 577 05 31-01 | • ROPE | 1 |
| 11 | 577 08 96-01 | GASKET | 1 | 66 | 521 63 00-01 | • KNOB | 1 |
| 12 | 577 95 35-01 | MUFFLER ASSY | 1 | 67 | 521 63 13-01 | • COVER | 1 |
| 13 | 576 59 05-01 | • SPARK ARRESTER | 1 | 68 | 521 63 08-01 | • WASHER | 1 |
| 14 | 576 59 06-01 | • DIFFUSOR | 1 | 69 | 521 63 12-01 | • WASHER | 1 |
| 15 | 544 36 27-01 | • BOLT | 4 | 70 | 521 63 06-01 | • SPRING | 1 |
| 16 | 576 59 07-01 | BOLT | 2 | 71 | 521 63 03-01 | • PLATE | 1 |
| 17 | 576 59 08-01 | BOLT | 1 | 72 | 506 74 56-01 | BOLT M5x0.8 L16(mm) (Loctite 242) | 4 |
| 18 | 576 59 09-01 | GASKET | 1 | 73 | 579 62 97-01 | CARBURETOR | 1 |
| 21 | 576 59 11-01 | CRANKCASE COMP. | 1 | 74 | 515 39 07-01 | BOLT | 2 |
| 23 | 576 59 16-01 | GASKET | 1 | 75 | 576 59 45-01 | CUP ASSY | 1 |
| 24 | 521 52 13-01 | BALL BEARING | 2 | 76 | 576 59 47-01 | • PLATE, CHOKE | 1 |
| 25 | 521 52 19-01 | SEAL | 2 | 77 | 576 59 48-01 | • LEVER | 1 |
| 26 | 515 38 81-01 | BOLT | 4 | 78 | 506 67 38-01 | • SCREW | 1 |
| 27 | 576 59 65-01 | PISTON | 1 | 79 | 516 13 60-01 | • O-RING | 1 |
| 28 | 576 59 67-01 | PISTON RING | 2 | 80 | 576 59 49-01 | PLATE | 1 |
| 29 | 576 59 68-01 | PISTON PIN | 1 | 81 | 506 67 38-01 | SCREW | 3 |
| 30 | 521 53 19-01 | SNAP-RING | 2 | 82 | 576 56 43-01 | BOLT | 4 |
| 31 | 576 69 64-01 | BEARING | 1 | 91 | 577 42 44-01 | SHORT BLOCK | 1 |
| 32 | 521 52 05-01 | WASHER | 2 | | 577 35 78-01 | • GASKET (#10) | 1 |
| 33 | 576 59 19-01 | CRANKSHAFT COMP. | 1 | | 577 08 96-01 | • GASKET (#11) | 1 |
| 34 | 576 59 27-01 | COUPLING | 1 | | 576 59 09-01 | • GASKET (#18) | 1 |
| 35 | 513 24 19-01 | NUT | 2 | 92 | 577 08 38-01 | CRANKCASE ASSY (Key# 21, 23, 24 & 25) | 1 |
| 36 | 506 68 94-01 | KEY | 2 | 93 | 513 67 37-01 | GAUGE | 1 |
| 42 | 576 59 30-01 | ROTOR ASSY | 1 | 94 | 577 40 97-01 | PULLER ASSY | 1 |
| 43 | 576 59 32-01 | • RATCHET | 2 | 95 | 513 18 12-01 | ROD ASSY | 1 |
| 44 | 576 59 33-01 | • SPRING | 2 | 96 | 577 40 98-01 | BEARING GUIDE | 1 |
| 45 | 510 49 01-01 | • RING | 2 | 97 | 577 40 99-01 | OIL SEAL GUIDE | 1 |
| 46 | 576 59 34-01 | COIL ASSY (Air Gap 0.014") | 1 | 98 | 577 41 01-01 | SUPPORT CRANK CASE-S | 1 |
| 47 | 576 59 36-01 | • CAP, PLUG | 1 | 99 | 577 41 00-01 | SUPPORT CRANK CASE-F | 1 |
| 48 | 513 24 33-01 | • SPRING | 1 | 100 | 513 79 51-01 | TORX WRENCH | 1 |
| 49 | 576 59 37-01 | • TUBE | 1 | 101 | 577 08 37-01 | GASKET KIT (Key# 3,10,11,18 & 23) | 1 |
| 50 | 515 41 53-01 | • GROMMET | 1 | | | | |
| 51 | 579 38 30-01 | BOLT TORX M4x0.7 L22(mm) (Loctite 222) | 2 | | | | |

EBZ8500

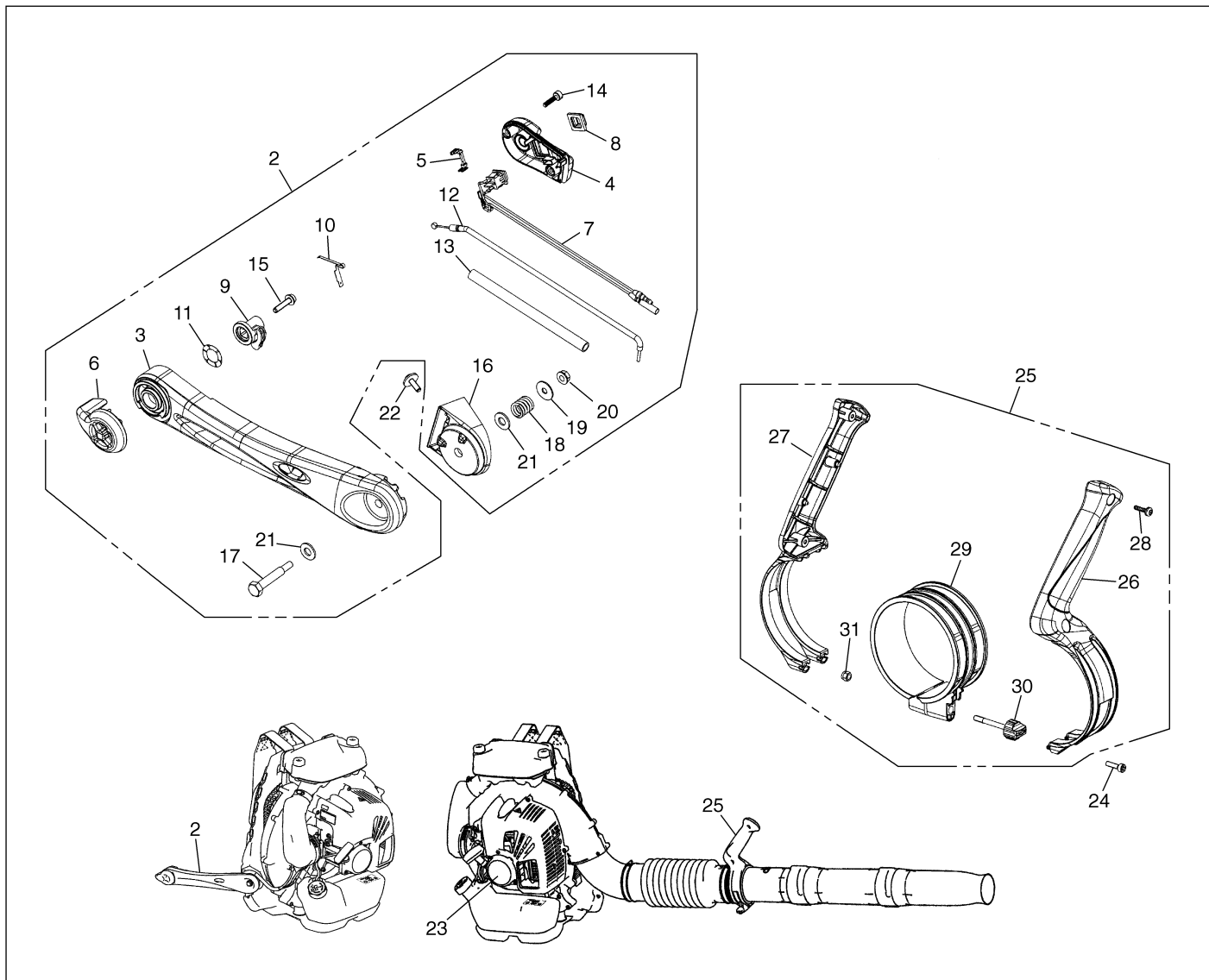
Fig.3 CARBURETOR COMPONENTS



| Key# | Part Number | Description | Q'ty | Key# | Part Number | Description | Q'ty |
|------|--------------|---------------|------|------|--------------|-------------|------|
| 1 | 544 36 35-01 | Body assy | 1 | 27* | — | Valve assy | 1 |
| 8 | 506 74 09-01 | Body | 1 | 28 | 511 45 95-01 | GASKET KIT | 1 |
| 9 | 506 74 10-01 | Cover | 1 | 29 | 511 45 96-01 | REBUILD KIT | 1 |
| 10 | 505 30 67-01 | Pump | 1 | | | | |
| 11 | 506 74 61-01 | Washer | 1 | | | | |
| 12 | 506 74 12-01 | Swivel | 1 | | | | |
| 13 | 506 73 86-01 | Ring | 1 | | | | |
| 14 | 506 74 51-01 | Gasket | 1 | | | | |
| 15 | 506 68 98-01 | Diaphragm | 1 | | | | |
| 16 | 506 74 08-01 | Gasket | 1 | | | | |
| 17 | 505 30 68-01 | Diaphragm | 1 | | | | |
| 18 | 505 30 79-01 | Screw | 2 | | | | |
| 19 | 506 74 60-01 | Bracket | 1 | | | | |
| 20 | 513 40 10-01 | Nut | 1 | | | | |
| 21 | 506 74 13-01 | Screw | 1 | | | | |
| 22 | 521 63 15-01 | Ring, packing | 1 | | | | |
| 23 | 506 74 11-01 | Screw | 4 | | | | |
| 24 | 579 60 53-01 | Jet #63 | 1 | | | | |
| 25 | 505 30 75-01 | O-Ring | 1 | | | | |
| 26* | — | Body | 1 | | | | |

[NOTE]
 26*-BODY and 27*-VALVE ASSY are not supplied as an individual part respectively, but supplied as a CARBURETOR ASSY (P/NO. 579 62 97-01).

Fig.4 LEVER SET



| Key# | Part Number | Description | Q'ty | Key# | Part Number | Description | Q'ty |
|------|--------------|-------------------|------|------|--------------|---------------|------|
| 2 | 576 56 24-01 | LEVER, SET | 1 | 20 | 521 51 96-01 | • NUT | 1 |
| 3 | 576 56 26-01 | • ARM | 1 | 21 | 514 33 67-01 | • WASHER | 2 |
| 4 | 576 56 27-01 | • COVER | 1 | 22 | 544 27 08-01 | SCREW | 2 |
| 5 | 576 56 28-01 | • STOPPER | 1 | 23 | 576 57 60-01 | DECAL, RECOIL | 1 |
| 6 | 576 56 29-01 | • LEVER, THROTTLE | 1 | 24 | 506 74 57-01 | BOLT | 2 |
| 7 | 576 56 30-01 | • SWITCH | 1 | 25 | 576 56 51-01 | GRIP, ASSY | 1 |
| 8 | 513 35 19-01 | • CAP | 1 | 26 | 576 56 52-01 | • GRIP, RIGHT | 1 |
| 9 | 576 56 31-01 | • PLATE | 1 | 27 | 576 56 53-01 | • GRIP, LEFT | 1 |
| 10 | 576 56 32-01 | • PLATE, CONTACT | 1 | 28 | 521 51 77-01 | • SCREW | 2 |
| 11 | 576 56 33-01 | • WASHER, WAVE | 1 | 29 | 576 56 54-01 | • COLLAR | 1 |
| 12 | 576 56 34-01 | • CABLE | 1 | 30 | 576 56 55-01 | • KNOB | 1 |
| 13 | 544 27 76-01 | • TUBE | 1 | 31 | 514 18 39-01 | • NUT | 1 |
| 14 | 576 56 35-01 | • BOLT | 2 | | | | |
| 15 | 506 74 52-01 | • BOLT | 1 | | | | |
| 16 | 576 56 36-01 | • BRACKET | 1 | | | | |
| 17 | 514 33 62-01 | • BOLT | 1 | | | | |
| 18 | 514 33 63-01 | • SPRING | 1 | | | | |
| 19 | 514 33 65-01 | • WASHER | 1 | | | | |