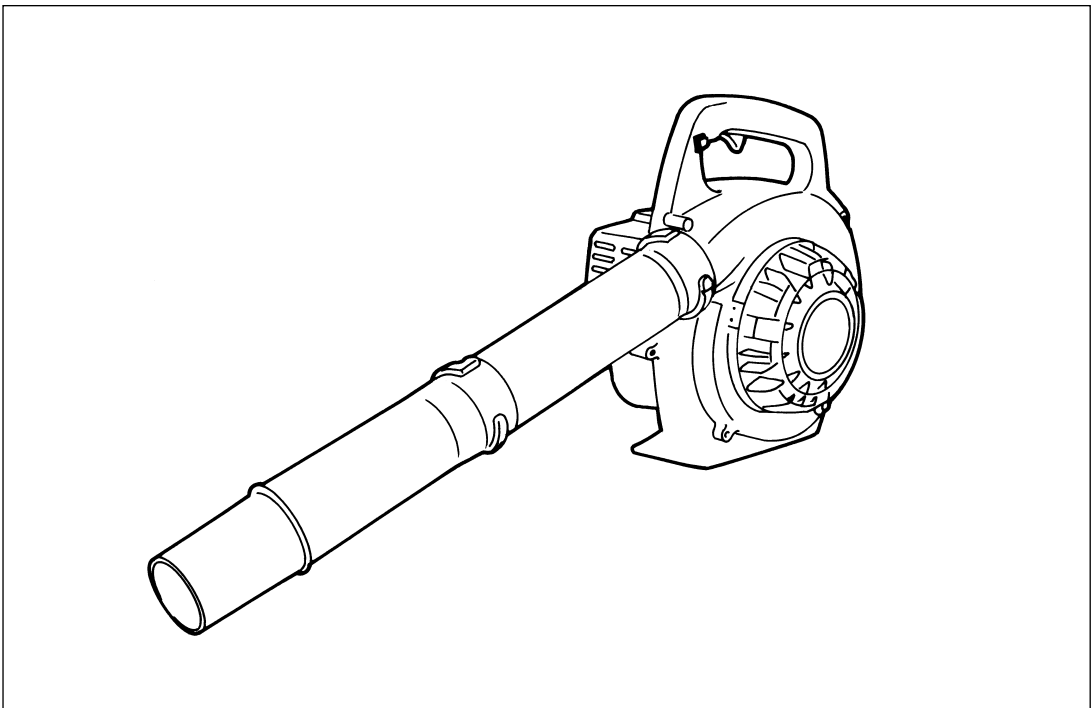




OWNER/OPERATOR MANUAL

HANDHELD BLOWER

HB2300



WARNING



The engine exhaust from this product contains chemicals known to the State of California to cause cancer, birth defects or other reproductive harm.

Thank you for purchasing a RedMax product.


Before using our blower, please read this manual carefully to understand the proper use of your unit.



Read this manual carefully to understand all safety precautions, controls, proper operation and maintenance of your RedMax blower. Failure to do so could result in serious injury.



SAFETY FIRST

Instructions contained in warnings within this manual and warning seals marked with a  symbol on the blower concern critical points which must be taken into consideration to prevent possible serious bodily injury, and for this reason you are requested to read all such instructions carefully and follow them without fail.

Note that there may be times when warning seals peel off or become soiled and impossible to read. If this happens, you should contact the dealer from which you purchased the product to order new seals and affix the new seal(s) in the required location(s).

■ Notes on types of warnings



Instructions labeled as shown at left concern critical steps or procedures which must be followed in order to prevent accidents which could lead to serious bodily injury or death. This mark is used to indicate instructions which must be followed without exception.



Instructions labeled as shown at left concern steps or procedures which, if not followed correctly, could lead to mechanical failure, breakdown, or damage.



Used to label supplementary instructions designed to provide hints or directions useful in the use of the product.

CONTENTS

SAFETY PRECAUTIONS	4
OPERATOR	
USE OF BLOWER	
WORKING CONDITION	
AVOID NOISE PROBLEM	
AVOID CHANCES OF DAMAGE	
PARTS LOCATION & SPECIFICATIONS.....	7
ASSEMBLY	7
BLOWER PIPE	
FUEL	8
FUEL MIX	
MIXING FUEL	
FUELING	
OPERATION	9
STARTING ENGINE	
RESTARTING ENGINE WHILE ENGINE HOT	
STOPPING ENGINE	
ADJUSTING IDLE SPEED	
MAINTENANCE	10
AIR CLEANER	
FUEL FILTER	
SPARK PLUG	
MUFFLER	
SPARK ARRESTER	
AIR INLET SCREEN	
HOW TO INSTALL THE AIR INLET SCREEN TO THE VOLUTE COVER	
STORAGE	12
PARTS LIST.....	13



Safety Precautions

- Read this Blower Owner/Operator Manual carefully. Be sure you understand how to operate this unit properly before you use it. Failure to do so could result in serious injury.



- Be sure to keep this manual handy so that you may refer to it later whenever any questions arise. Also note that you are requested to contact the dealer from whom you purchased the product for assistance the event that you have any questions which cannot be answered herein.
- Always be sure to include this manual when selling, lending, or otherwise transferring the ownership of this product.

- Wear rubber-soled shoes or shoes with some other form of anti-slip protection to help protect you against falling.
- Be sure to wear proper work clothing.

■ USE OF BLOWER

- Each time before starting the engine, inspect the entire unit to see if every part is in good order and is securely tightened in place. If any damage is found in the fuel line, the exhaust line, or the ignition wiring, do not use the blower until it has been repaired.

■ OPERATOR

- Refrain from operating the blower if you are tired, ill, or upset, or if you are under the influence of alcohol, drugs or medication.



- Always wear eye protection goggles.
- Always wear ear protectors to protect your ears from engine noise. If this guideline is not followed, hearing loss can occur.



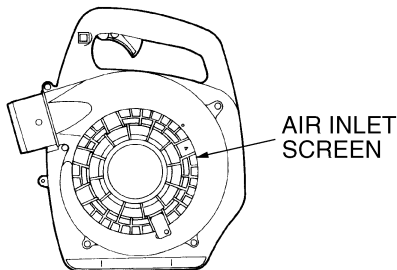
- Wear a face mask to guard against the inhalation of dust.



Safety Precautions

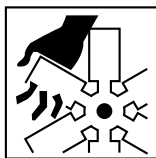
⚠ WARNING

- **Never use the blower without the screen at the air intake of the blower. Before each use, check that the screen is attached in place and is free from any damage.**



⚠ WARNING

- **Never remove debris from the intake screen while the engine is running. Contact with rotating blower fan may**



result in a serious personal injury.

- Do not allow children to use blower. Make sure that each person you authorize to operate the blower understands all of the safety rules in this manual.
- Avoid using any accessory or attachment other than those bearing the RedMax mark for use with the blower.
- When suspending a job or inspecting the blower, be sure to stop engine.
- Drain the fuel from the fuel tank before transporting or storing the blower.
- When storing the blower, choose a space indoors free from moisture and out of the reach of children.
- Examine the blower at intervals for loose fasteners and rusted or damaged parts. Use special care **around the fuel line, the muffler, and the ignition wiring.**

- All engine service except for those described in this manual should be performed by competent service personnel. Improper service to the blower fan and muffler could cause a hazardous failure.

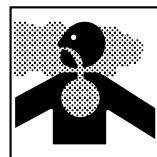
■ WORKING CONDITION

⚠ WARNING

- Keep open flames and sparks away from the area where fuel is handled or stored, as the fuel is highly flammable.



- Make sure that the engine has cooled down before refueling.
- Mix and store fuel only in a approved container.
- Never smoke while refueling the blower.
- Wipe off any spilled fuel and tighten the fuel cap securely.
- Move at least 3m(10 ft) away from the fueling spot before starting the engine.
- Check the work area that the blower will be used in and remove or cover all valuables that may be damaged by the air blast or thrown debris.
- Avoid running the engine indoors. The exhaust gases contain harmful carbon monoxide.





Safety Precautions

- Keep operation area clear of all persons, particularly small children and pets. Injury may result from flying debris.
- Avoid using the blower where stable footing and balance are not assured.
- Never touch the spark plug or plug cord while the engine is in operation. Doing so may result in being subjected to an electrical shock.



- Never touch the muffler, spark plug, or other metallic parts of the engine while the engine is in operation or immediately after shutting down the engine. These metallic parts reach high temperatures during operation and doing so could result in serious burns.



■ AVOID NOISE PROBLEM

NOTE

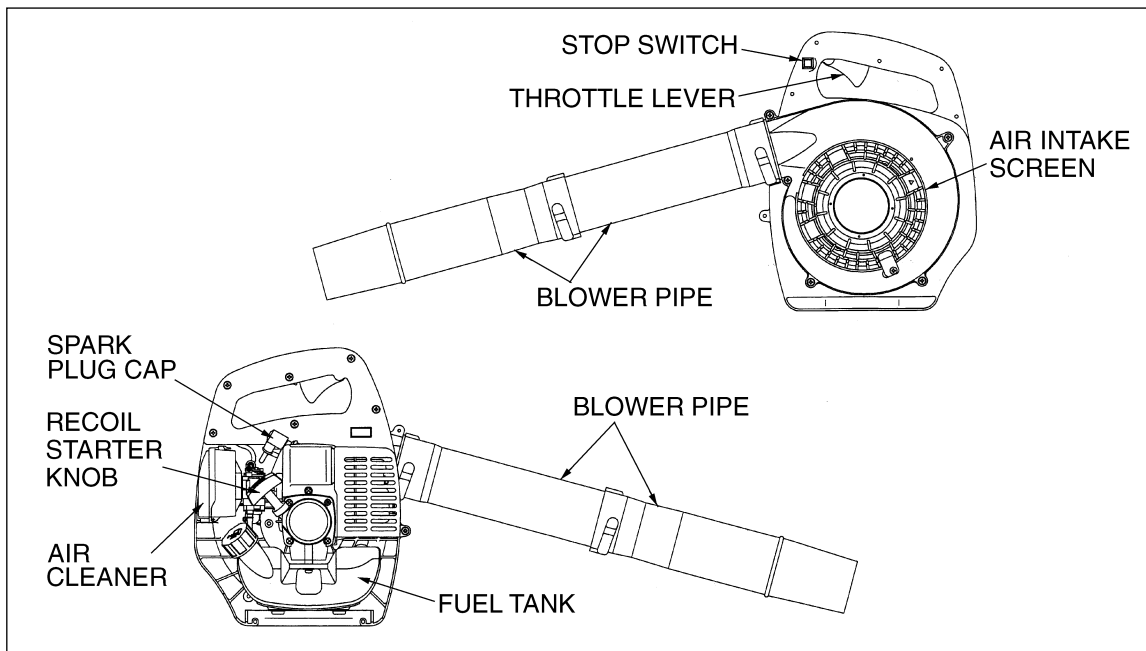
Check and follow the local regulations as to sound level and hours of operations for blower.

- In general, operate blowers between 8a.m. and 5p.m. on week day and 9a.m. to 5p.m. weekends. Avoid using blower late at night and/or early in the morning.
- Loosen compacted leaves, grass or debris with a rake or broom beforehand, so that the lowest possible throttle setting would get the job done.
- In dusty conditions, slightly dampen surfaces or use mister attachment when water is available.
- Check if the air filter, air intakes and muffler are working in properly.
- Never use more than one piece of the blower at a time.

■ AVOID CHANCES OF DAMAGE

- Avoid directing the blower nozzle toward persons, pets, cars, windows or anything that could be harmed by blowing debris or dust.
- Keep the nozzle at full extension when operating so as to make the air stream close to the ground.
- Collect any trash and leaves and put them into a proper container after the job is done.
- Always check to be sure that no debris has been blown onto someone else's property.

Parts Location & Specifications



MODEL EB2300

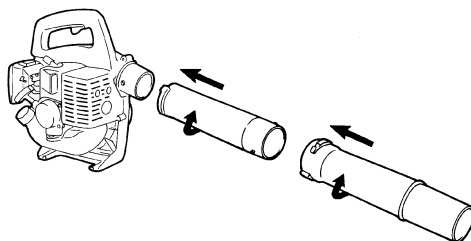
Dimensions (L x W x H)	mm (in)	325 x 230 x 360 (12.8 x 9.1 x 14.2)
Dry Weight (without tube and nozzle)	kg (lbs)	3.6 (7.9)
Fuel Tank Capacity	liter (fl. oz)	0.75 (25.3)
Engine Type		Air cooled 2-cycle gasoline engine
Piston Displacement	cc (cu. in)	22.5 (1.37)
Carburetor		Walbro Diaphragm type
Ignition System		TCI
Spark Plug		Champion RCJ6Y (Noise-proof)
Muffler		Spark arrester equipped
Operating Engine Speed	rpm	7.000 ~ 7.500
Idle Speed	rpm	2.300
Max. Air Volume	cu. m/min (cfm)	10 (353)
Max. Air Velocity	m/sec (mph)	67 (150)
Noise Level at 50 feet	db (A)	69

Assembly

■ BLOWER PIPE

- Align groove in blower pipe with projection on blower housing (or another blower pipe) and slide the pipe onto the blower housing (or another blower pipe).

Rotate the pipe clockwise to lock it into place.



Fuel

⚠ WARNING

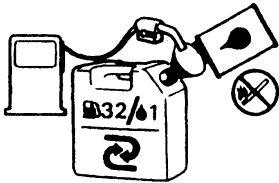
- Gasoline is very flammable. Avoid smoking or bringing any flame or sparks near fuel. Make sure to stop the engine and allow it cool before refueling the unit. Select outdoor bare ground for fueling and move at least 3m(10ft) away from the fueling spot before starting the engine.



■ FUEL MIX

- The engine is lubricated by oil mixed into gasoline. Prepare a mixture of unleaded, alcohol-free gasoline and RedMax oil or an anti-oxidant added quality oil expressly labeled for air-cooled 2-cycle engine use.

Recommended mixing ratio is 32 : 1.



- Make sure to use gasoline with a minimum octane number of 90 ROZ(USA/Canada : pump octane min.87)
- Unleaded gasoline is recommended to reduce the contamination of the air for the sake of your healths and the environment.
- Disqualified gasoline or oil may damage sealing rings, fuel lines or fuel tank of the engine.
- Exhaust emission are controlled by the fundamental engine parameters and components (eq., carburetion, ignition timing and port timing) without addition of any major hardware or the introduction of an inert material during combustion.

32:1 MIXING CHART

GASOLINE	gal.	1	2	3	4	5
2-CYCLE OIL	fl.oz	4	8	12	16	20

- These engines are certified to operate on unleaded gasoline.

■ MIXING FUEL

1. Measure out the quantities of gasoline and oil to be mixed.
2. Put some of the gasoline into a clean, marked fuel container.
3. Pour in all of the oil, cap the container and shake it well.
4. Pour in the rest of gasoline and shake again for one minute.
5. Indicate the contents on outside of container to prevent with other containers.

DO NOT USE :

- **Fuel containing no oil (raw gasoline)** may cause the engine becoming overheated and damaged.
- **Gasohol** may cause deterioration of rubber and plastic parts and disruption of the engine lubrication.
- **Oil for 4-cycle engine use or water-cooled 2-cycle engine use** may cause spark plug fouling, carbon building-up and piston ring sticking.
- **Mixed fuels which have been left unused for a period of one month or more** may have the carburetor clogged or result in the engine failing to operate properly.

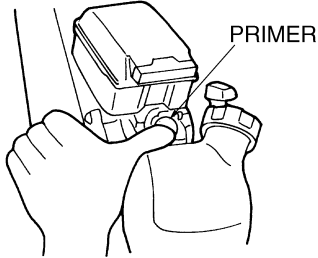
■ FUELING

1. Unfasten and remove the fuel cap. Put the cap on a clean surface for dirt prevention.
2. Pour fuel into the fuel tank up to 80% of full capacity.
3. Replace the fuel cap and tighten securely. Spilled fuel must be wiped away from the blower before starting the engine.

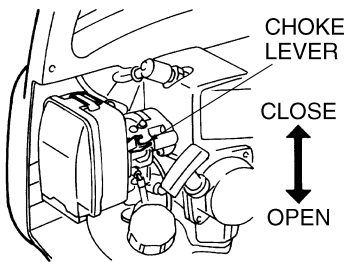
Operation

■ STARTING ENGINE

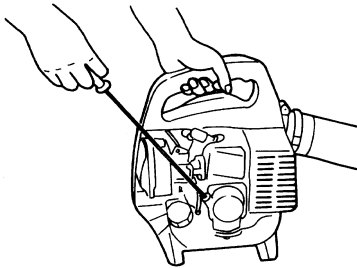
1. Rest the unit on a flat, firm place.
2. Pump the primer until fuel flows out in the clear tube.



3. Move the choke lever upward to close the choke.



4. While squeezing the throttle lever with your left hand, pull the starter rope with your right hand.



NOTE

Avoid pulling the rope to its dead end or returning it by releasing the knob. Such actions can cause starter failures.

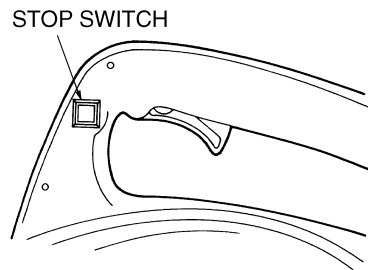
5. When the engine has started, move the choke lever gradually downward to open the choke.
6. Allow the engine to warm up for a half minute before starting operation.

■ RESTARTING ENGINE WHILE ENGINE IS HOT

1. When restarting the engine immediately after stopping it, leave the choke open.
2. If the engine won't start after several attempts, close the choke and repeat pulling the rope or remove the spark plug and dry it.

■ STOPPING ENGINE

Move the throttle lever to the idling position and press the stop switch (red button) until the engine comes to a complete stop.

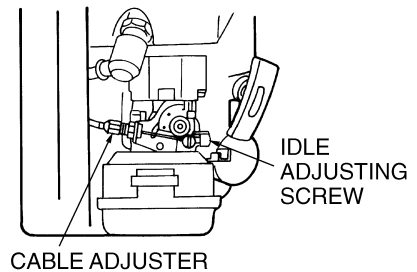


NOTE

Except for an emergency, avoid stopping the engine while pulling the throttle lever.

■ ADJUSTING IDLE SPEED

1. When the engine tends to stop frequently at an idle mode, turn the adjusting screw clockwise.



NOTE

Warm up the engine before adjusting the idle speed.

Maintenance

⚠ WARNING

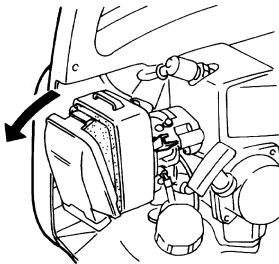
- Make sure that the engine has stopped and is cool before performing any service to the blower. Contact with rotating blower fan or hot muffler may result in a personal injury.

■ AIR CLEANER

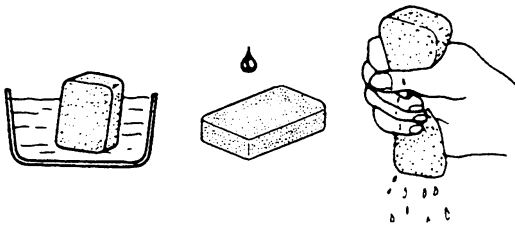
- Check the air cleaner every 25 hours of use or more frequently if used under dusty conditions. A clogged air filter may increase fuel consumption while cutting down the engine power. Never operate the blower without the air filter or with a deformed filter element because unfiltered dusty air will quickly ruin the engine.

CLEANING AIR FILTER:

1. Remove the air cleaner cover by pulling the tab on bottom and take out the filter element.



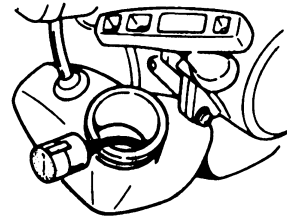
2. Use neutral detergent and warm water to clean the filter element. After cleaning, air dry the element completely and moisten with a small amount of motor oil.



3. Place the filter element into the air cleaner housing and press the cover against the housing until it clicks.

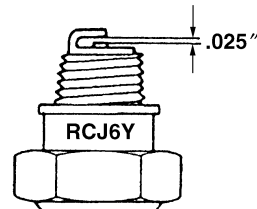
■ FUEL FILTER

- A clogged fuel filter may cause poor acceleration of the engine. Check periodically to see if the filter is clogged with dirt. The filter can be taken out of the fueling port using a small wire hook. Disconnect the filter assembly from the fuel pipe and unhook the retainer to disassemble it. Clean the components with gasoline.



■ SPARK PLUG

- The spark plug may gather carbon deposits on its firing end with reasonable use. Remove and inspect the spark plug every 25 hours and clean the electrodes as necessary with a wire brush. The spark gap should be adjusted to .025 in.



- Plug manufacturers recommend replacing the plug twice a year to avoid unexpected plug failure in a job.

REPLACEMENT PLUG IS A CHAMPION RCJ6Y.

IMPORTANT

- Note that using any spark plugs other than those designated may result in the engine failing to operate properly or in the engine becoming overheated and damaged.
- To install the spark plug, first turn the plug until it is finger tight, then tighten it a quarter turn more with a socket wrench.

Maintenance

■ MUFFLER

▲ WARNING

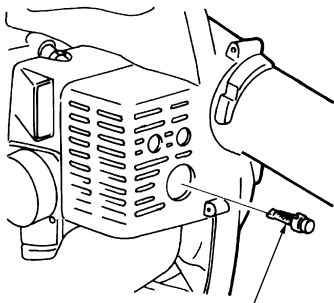
- Inspect periodically the muffler for loose fasteners, any damage or corrosion. If any sign of exhaust leakage is found, do not use the blower and have it repaired immediately.
- **Note that failing to do so may result in the engine catching on fire.**

IMPORTANT

- Before starting operation, always make sure to check if the muffler is properly held by three bolts to the cylinder. (Fastening Torque : 80~120kg·cm)
- Even if one bolt out of three bolts is loose, the muffler may get loose during operation which may result in engine catching on fire.

■ SPARK ARRESTER

- The muffler is equipped with a spark arrester to prevent red hot carbon from flying out of the exhaust outlet. Periodically inspect and clean as necessary with a wire brush. In the State of California it is required by law (Section 4442 of the California Public Resources Code) to equip a spark arrester when a gas powered tool is used in any forest covered, brush covered, or grass covered unimproved land.



SPARK ARRESTER

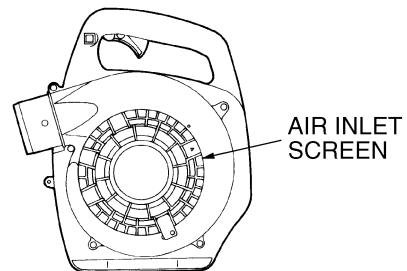
■ AIR INLET SCREEN

IMPORTANT

- Blowing air is taken in from the air inlet screen. When air flow has dropped down during operation, stop the engine and inspect the air inlet screen for blocking by obstacles.
- Note that failure to remove any such obstacles may result in the engine becoming overheated and damaged.

▲ WARNING

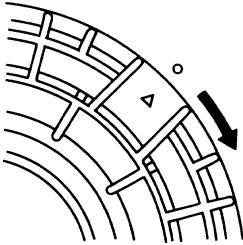
- **Never use the blower without the screen at the air intake of the blower. Before each use, check that the screen is attached in place and is free from any damage.**



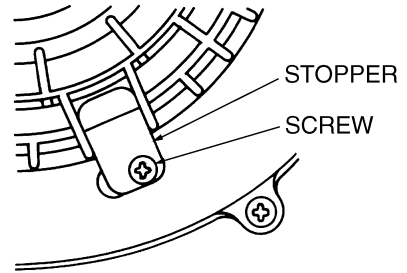
Maintenance

■ HOW TO INSTALL THE AIR INLET SCREEN TO THE VOLUTE COVER

- Put the mark \triangle of the air inlet screen to the mark \circ of the volute cover in line.
- Turn the air inlet screen clockwise (arrow direction) and make sure it is firmly installed.



- Install the screw through the stopper to insure that the air inlet screen does not move



Storage

BEFORE STORING THE BLOWER:

1. Drain a fuel tank and push the primer bulb until it becomes empty of fuel.
2. Remove the spark plug and drop a spoonful of 2-cycle oil into the cylinder. Crank the engine several time and replace the plug.

HANDHELD BLOWER

HB2300

NOTE :

1. Use KOMATSU ZENOAH genuine parts as specified in the parts list for repair and/or replacement.
2. KOMATSU ZENOAH does not warrant the machines, which have been damaged by the use of any parts other than those specified by the company.
3. When placing parts orders for repair and/or replacement, check if the model name and the serial number are applicable to those specified in the parts list, then use parts number described in the parts list.
4. The contents described in the parts list are accurate as of July 1997 and may change due to improvement.
5. The parts for the machine shall be supplied seven (7) years after the machine is discontinued. [It is possible that some specific parts may be subject to change of their delivery term and list price within the limit of seven (7) years after the machine is discontinued. It is also possible that some parts may be available even after the limit of seven (7) years.]

Parts List : HB2300

Fig.1 ENGINE GROUP

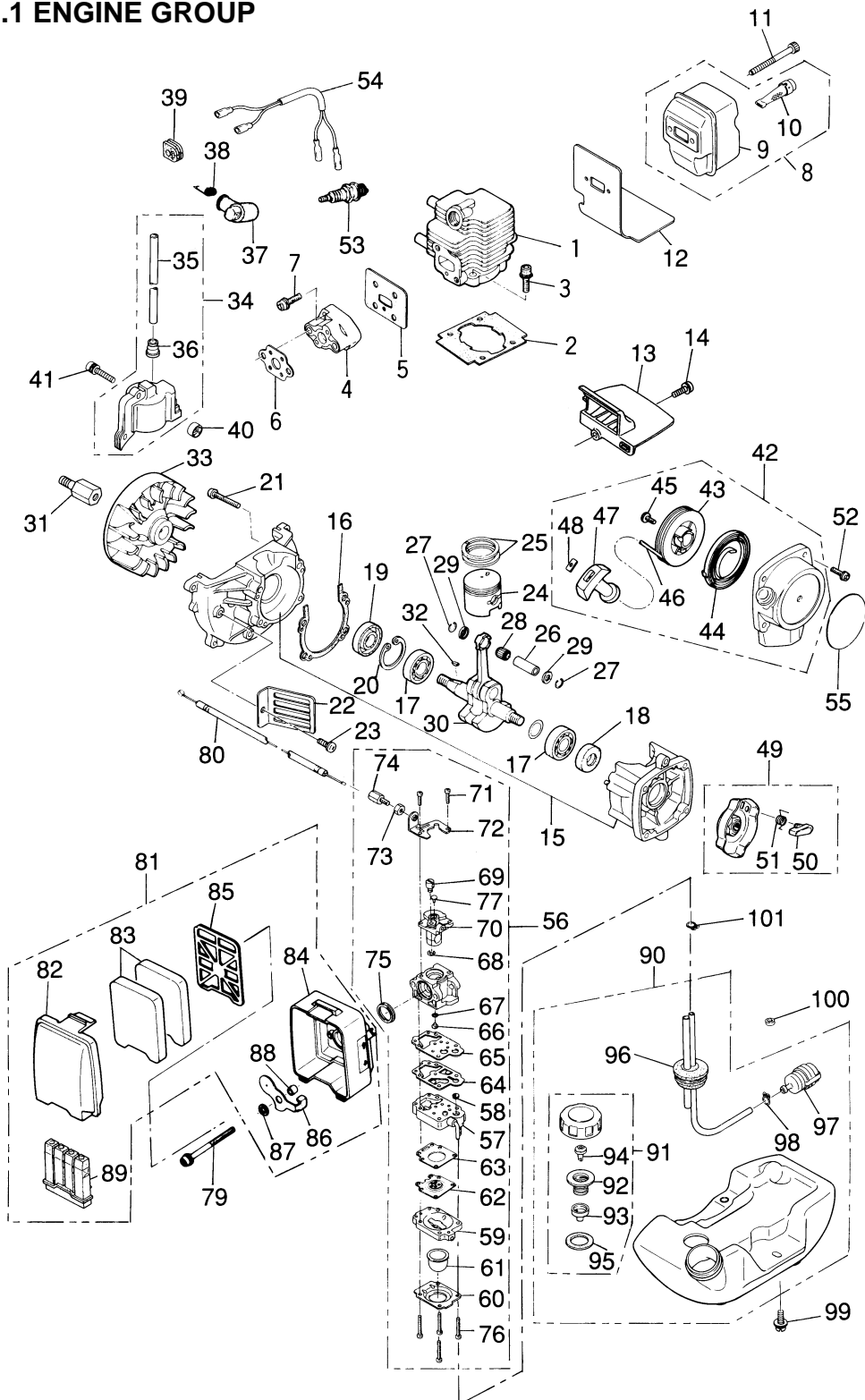


Fig.1 ENGINE GROUP

Key#	Part Number	Description	Q'ty	Key#	Part Number	Description	Q'ty
1	5580-12110	Cylinder	1	53	5602-73110	Spark plug (RCJ-6Y)	1
2	5500-12211	Gasket, base	1	54	5500-73201	Cord comp	1
3	1850-12130	Bolt, M5x22	2	55	6811-75610	Label	1
4	5500-13162	Insulator	1	56	5516-81000	Carburetor assy	1
5	5500-13120	Gasket, Insulator	1	57	1850-81450	Body assy-pump	1
6	5500-13130	Gasket, carb	1	58	3306-81380	Screen-inlet	1
7	0263-90520	Screw, M5x20	2	59	1850-81490	Body assy-air purge	1
8	5516-15100	Muffler assy	1	60	1850-81520	Cover	1
9	5516-15110	Muffler	1	61	1751-81510	Pump	1
10	1601-15120	Arrester	1	62	3310-81260	Diaphragm-a-met'g	1
11	5516-15160	Bolt,M5x75	2	63	1850-81470	Gasket	1
12	5516-15210	Gasket, muffler	1	64	1065-81420	Diaphragm	1
13	5500-15220	Plate	1	65	1065-81410	Gasket	1
14	0263-90416	Screw, M4x16	1	66	5516-81250	Jet	1
15	5500-21100	Crankcase comp	1	67	1751-81240	O-ring	1
16	5500-21140	Gasket	1	68	1751-81130	Ring	1
17	06030-06001	Bearing	2	69	1881-81140	Swivel	1
18	2169-21210	Seal	1	70	5516-81150	Valve assy	1
19	1850-21220	Seal	1	71	1752-81110	Screw	2
20	04065-02812	Snap ring	1	72	5500-81120	Bracket	1
21	01252-30530	Bolt, M5x30	4	73	1751-81180	Nut	1
22	5500-22110	Guard	1	74	1918-81170	Screw	1
23	0263-90514	Screw, M5x14	1	75	1881-81130	Ring	1
24	5600-41111	Piston	1	76	1850-81530	Screw	4
25	1100-41210	Ring	2	77	5500-81160	Washer	1
26	1101-41310	Pin	1	78	_____	_____	—
27	1260-41320	Ring	2	79	0263-90560	Screw	2
28	1140-41330	Bearing	1	80	5516-83101	Cable	1
29	1101-41340	Washer	2	81	5516-82000	Cleaner assy	1
30	5500-42001	Crankehaft comp	1	82	1918-82110	Cover	1
31	5516-43230	Extention	1	83	1918-82120	Filter	2
32	1000-43240	Key	1	84	1918-82130	Housing	1
33	5501-71110	Rotor	1	85	1918-82140	Plate	1
34	5501-71201	Coil assy	1	86	5516-82150	Choke valve	1
35	5500-71220	Cord	1	87	1918-82160	Washer	1
36	2616-71320	Cap	1	88	1918-82170	Sleeve	2
37	1900-72111	Cap, Plug	1	89	5516-82120	Silencer	1
38	1900-72120	Spring	1	90	5516-85001	Tank assy	1
39	5500-72130	Grommet	1	91	5600-85202	Cap assy	1
40	1260-71261	Spacer	2	92	5600-85231	Holder	1
41	3310-72150	Bolt, M4x25	2	93	5600-85240	Cap	1
42	5500-75100	Recoil assy	1	94	5600-85250	Valve	1
43	1850-75120	Reel	1	95	5500-85220	Packing	1
44	1850-75130	Spring	1	96	5580-85300	Pipe comp	1
45	1850-75151	Screw	1	97	5500-85400	Filter	1
46	1850-75160	Rope	1	98	1260-85460	Clip	1
47	1140-75320	Knob	1	99	5516-85510	Screw, M5x20	3
48	5500-75170	Plate	1	100	5516-85531	Collar	1
49	1850-75201	Pulley assy	1	101	1950-86120	Clip	1
50	1850-75221	Ratchet	1				
51	1850-75230	Spring	1				
52	0263-90416	Screw, M4x16	4				

Fig.2 BLOWER GROUP

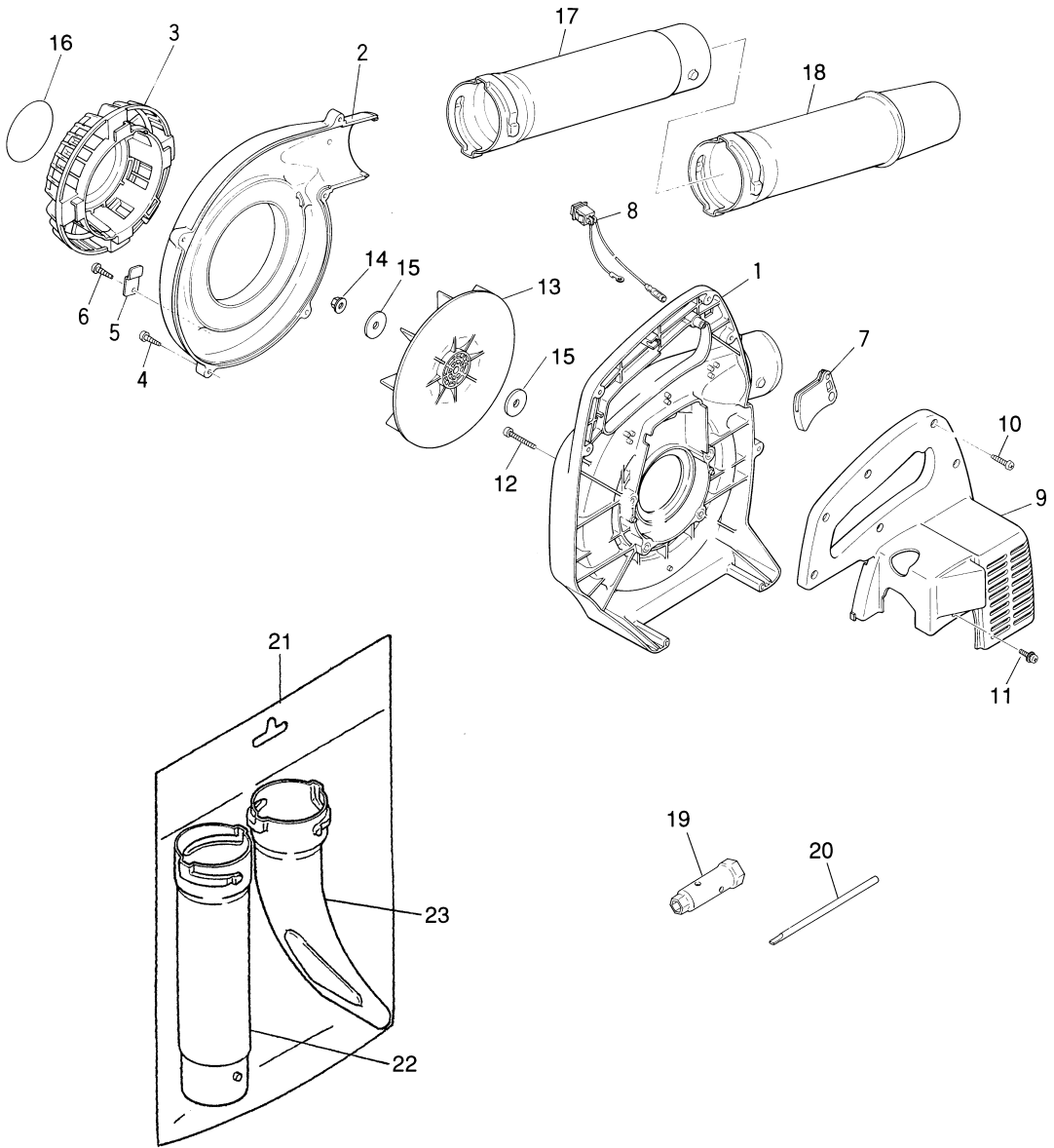


Fig.2 BLOWER GROUP

Key#	Part Number	Description	Q'ty	Key#	Part Number	Description	Q'ty
1	6811-11110	Volute case	1				
2	6811-11120	Volute cover	1				
3	6811-11130	Guard net	1				
4	6811-11250	Screw	5				
5	6811-11160	Stopper	1				
6	6811-11170	Screw	1				
7	6811-11150	Lever	1				
8	6811-72200	Switch	1				
9	6811-11210	Cover, engine	1				
10	6811-11250	Screw	7				
11	1850-32160	Screw	1				
12	0263-90535	Screw	4				
13	6811-12110	Fan	1				
14	1650-43230	Nut	1				
15	6811-12220	Washer	2				
16	6811-19110	Label	1				
17	6811-51210	Pipe	1				
18	6811-51220	Pipe, end	1				
19	1110-91320	Socket	1				
20	3582-91330	Bar	1				
OPTION							
21	HBN-100	Flat Nozzle Set	1				
22	6811-51210	Pipe	1				
23	6811-51230	Flat Nozzle	1				

CALIFORNIA EMISSION CONTROL WARRANTY STATEMENT
YOUR WARRANTY RIGHTS AND OBLIGATIONS

THE CALIFORNIA AIR RESOURCES BOARD AND KOMATSU ZENOAH Co. ARE PLEASED TO EXPLAIN THE **EMISSION CONTROL SYSTEM WARRANTY** ON YOUR **1995 AND LATER** LAWN AND GARDEN EQUIPMENT ENGINE. IN CALIFORNIA, NEW UTILITY AND LAWN AND GARDEN EQUIPMENT ENGINES MUST BE DESIGNED, BUILT AND EQUIPPED TO MEET THE STATE'S STRINGENT ANTI-SMOG STANDARDS.

KOMATSU ZENOAH Co, MUST WARRANT THE EMISSION CONTROL SYSTEM ON YOUR LAWN AND GARDEN EQUIPMENT ENGINE FOR THE PERIODS OF TIME LISTED BELOW PROVIDED THERE HAS BEEN NO ABUSE, NEGLIGENCE OR IMPROPER MAINTENANCE OF YOUR LAWN AND GARDEN EQUIPMENT ENGINE.

YOUR EMISSION CONTROL SYSTEM MAY INCLUDE PARTS SUCH AS THE CARBURETOR, THE IGNITION SYSTEM, AND CATALYTIC CONVERTER. ALSO INCLUDED MAY BE THE HOSES, BELTS, CONNECTORS AND OTHER EMISSION-RELATED ASSEMBLIES.

WHERE A WARRANTABLE CONDITION EXISTS, KOMATSU ZENOAH Co. WILL REPAIR YOUR LAWN AND GARDEN EQUIPMENT ENGINE AT NO COST TO YOU INCLUDING DIAGNOSIS, PARTS AND LABOR.

MANUFACTURER'S WARRANTY COVERAGE:

THE 1995 AND LATER UTILITY AND LAWN AND GARDEN EQUIPMENT ENGINES ARE WARRANTED FOR **TWO YEARS**. IF ANY EMISSION-RELATED PART ON YOUR ENGINE IS DEFECTIVE, THE PART WILL BE REPAIRED OR REPLACED BY KOMATSU ZENOAH Co.

OWNER'S WARRANTY RESPONSIBILITIES:

—AS THE LAWN AND GARDEN EQUIPMENT ENGINE OWNER, YOU ARE RESPONSIBLE FOR THE PERFORMANCE OF THE **REQUIRED MAINTENANCE LISTED IN YOUR OWNER'S MANUAL**. KOMATSU ZENOAH Co. RECOMMENDS THAT YOU RETAIN ALL RECEIPTS COVERING MAINTENANCE ON YOUR LAWN AND GARDEN ENGINE, BUT KOMATSU ZENOAH Co. CAN NOT DENY WARRANTY SOLELY FOR THE LACK OF RECEIPTS OR FOR YOUR FAILURE TO ENSURE THE PERFORMANCE OF ALL SCHEDULED MAINTENANCE.

—AS THE LAWN AND GARDEN EQUIPMENT ENGINE OWNER, YOU SHOULD HOWEVER BE AWARE THAT KOMATSU ZENOAH Co. MAY DENY YOU WARRANTY COVERAGE IF YOUR LAWN AND GARDEN EQUIPMENT ENGINE OR A PART HAS FAILED DUE TO ABUSE, NEGLIGENCE, IMPROPER MAINTENANCE OR UNAPPROVED MODIFICATION.

—YOU ARE RESPONSIBLE FOR PRESENTING YOUR LAWN AND GARDEN EQUIPMENT ENGINE TO A KOMATSU ZENOAH Co. DISTRIBUTION CENTER AS SOON AS A PROBLEM EXISTS. THE WARRANTY REPAIRS SHOULD BE COMPLETED IN A REASONABLE AMOUNT OF TIME, NOT TO EXCEED **30 DAYS**.

IF YOU HAVE ANY QUESTIONS REGARDING YOUR WARRANTY RIGHTS AND RESPONSIBILITIES, YOU SHOULD CONTACT KOMATSU ZENOAH AMERICA INC. AT (770)-381-5147.

RedMax BLOWERS
MODEL HB2300
2-YEAR LIMITED WARRANTY

EMISSION-RELATED PARTS; FOR TWO (2) YEARS FROM THE DATE OF ORIGINAL DELIVERY OF THE MODEL HB2300 UNIT, KOMATSU ZENOAH AMERICA INC. (THE COMPANY), THROUGH ANY RedMax DEALER, WILL REPAIR OR REPLACE, FREE OF CHARGE, FOR THE ORIGINAL AND EACH SUBSEQUENT PURCHASER, ANY PART OR PARTS FOUND TO BE DEFECTIVE IN MATERIAL AND/OR WORKMANSHIP. EMISSION-RELATED PARTS ARE:

**THE CARBURETOR ASSY, COIL ASSY, ROTOR, SPARK PLUG,
AIR FILTER, FUEL FILTER, INTAKE MANIFOLD, AND THE GASKETS**

ALL OTHER PARTS EXCEPT ABOVE PARTS; FOR TWO (2) YEARS OF HOME USE [ONE (1) YEAR FOR ANY OTHER USE] FROM THE DATE OF ORIGINAL ANY DELIVERY OF THE MODEL HB2300 UNIT, THE COMPANY, THROUGH ANY RedMax DEALER, WILL REPAIR OR REPLACE, FREE OF CHARGE, FOR THE ORIGINAL PUSHCHASER, ANY PART OR PARTS FOUND TO BE DEFECTIVE IN MATERIAL AND/OR WORKMANSHIP. **THIS IS THE EXCLUSIVE REMEDY.**

THE PURCHASER SHALL BEAR COSTS OF TRANSPORTING THE UNIT TO AND FROM THE RedMax DEALER.

THE PURCHASER SHALL NOT BE CHARGED FOR DIAGNOSTIC LABOR WHICH LEADS TO THE DETERMINATION THAT A WARRANTED PART IS DEFECTIVE, IF THE DIAGNOSTIC WORK IS PERFORMED AT THE RedMax DEALER.

THE PURCHASER OR OWNER IS RESPONSIBLE FOR THE PERFORMANCE OF THE REQUIRED MAINTENANCE AS DEFINED BY THE MANUFACTURER IN THE OWNER/OPERATOR MANUAL.

ANY WARRANTED PART WHICH IS NOT SCHEDULED FOR REPLACEMENT AS REQUIRED MAINTENANCE, OR WHICH IS SCHEDULED ONLY FOR REGULAR INSPECTION TO THE EFFECT OF "REPAIR OR REPLACE AS NECESSARY" SHALL BE WARRANTED FOR THE WARRANTY PERIOD. ANY WARRANTED PART WHICH IS SCHEDULED FOR REPLACEMENT AS REQUIRED MAINTENANCE SHALL BE WARRANTED FOR THE PERIOD OF TIME UP TO THE FIRST SCHEDULED REPLACEMENT POINT FOR THAT PART.

ANY REPLACEMENT PART THAT IS EQUIVALENT IN PERFORMANCE AND DURABILITY MAY BE USED IN NON-WARRANTY MAINTENANCE OR REPAIRS, AND SHALL NOT REDUCE THE WARRANTY OBLIGATION OF THE COMPANY.

THE COMPANY IS LIABLE FOR DAMAGES TO OTHER ENGINE COMPONENTS CAUSED BY THE FAILURE OF A WARRANTED PARTS STILL UNDER WARRANTY.

THIS WARRANTY DOES NOT APPLY TO THOSE UNITS WHICH HAVE BEEN DAMAGED BY NEGLIGENCE OF INSTRUCTION LISTED IN THE OWNER/OPERATOR MANUAL FOR PROPER USE AND MAINTENANCE OF THE UNITS, ACCIDENT MISHANDLING, ALTERATION, ABUSE, IMPROPER LUBRICATION, USE OF ANY PARTS OR ACCESSORIES OTHER THAN THOSE SPECIFIED BY THE COMPANY, OR OTHER CAUSES BEYOND THE COMPANY'S CONTROL.

THIS WARRANTY DOES NOT COVER THOSE PARTS REPLACED BY NORMAL WEAR OR HARMLESS CHANGES IN THEIR APPEARANCE.

THERE ARE NO OTHER EXPRESS WARRANTIES.

IMPLIED WARRANTIES INCLUDING THOSE OF MERCHANTABILITY AND FITNESS FOR A PARTICULAR PURPOSE **ARE LIMITED TO TWO (2) YEARS OF HOME USE [ONE (1) YEAR FOR ANY OTHER USE]** FROM THE ORIGINAL DELIVERY DATE.

LIABILITIES FOR INCIDENTAL OR CONSEQUENTIAL DAMAGE UNDER ANY AND ALL WARRANTIES ARE EXCLUDED.

SOME STATES DO NOT ALLOW LIMITATION ON HOW LONG AN IMPLIED WARRANTY LASTS OR EXCLUSION OR LIMITATION OF INCIDENTAL OR CONSEQUENTIAL DAMAGES, SO THE ABOVE LIMITATION OR EXCLUSION MAY NOT APPLY TO YOU.

THIS WARRANTY GIVES YOU SPECIFIC LEGAL RIGHTS, AND YOU MAY ALSO HAVE OTHER RIGHTS WHICH VARY FROM STATE TO STATE.

IF YOU NEED TO OBTAIN INFORMATION ABOUT THE NEAREST SERVICE CENTER, PLEASE CALL KOMATSU ZENOAH AMERICA INC. AT (770)-381-5147.

IMPORTANT: YOU WILL RECEIVE A WARRANTY REGISTRATION CARD AT TIME OF PURCHASE. PLEASE FILL OUT THE CARD AND SEND IT TO RedMax / KOMATSU ZENOAH AMERICA WITHIN SEVEN (7) DAYS. BE SURE TO KEEP A COPY FOR YOUR RECORDS.



RedMax[®]

KOMATSU ZENOAH AMERICA INC.
1505 Pavilion Place Suite A
Norcross, Georgia 30093