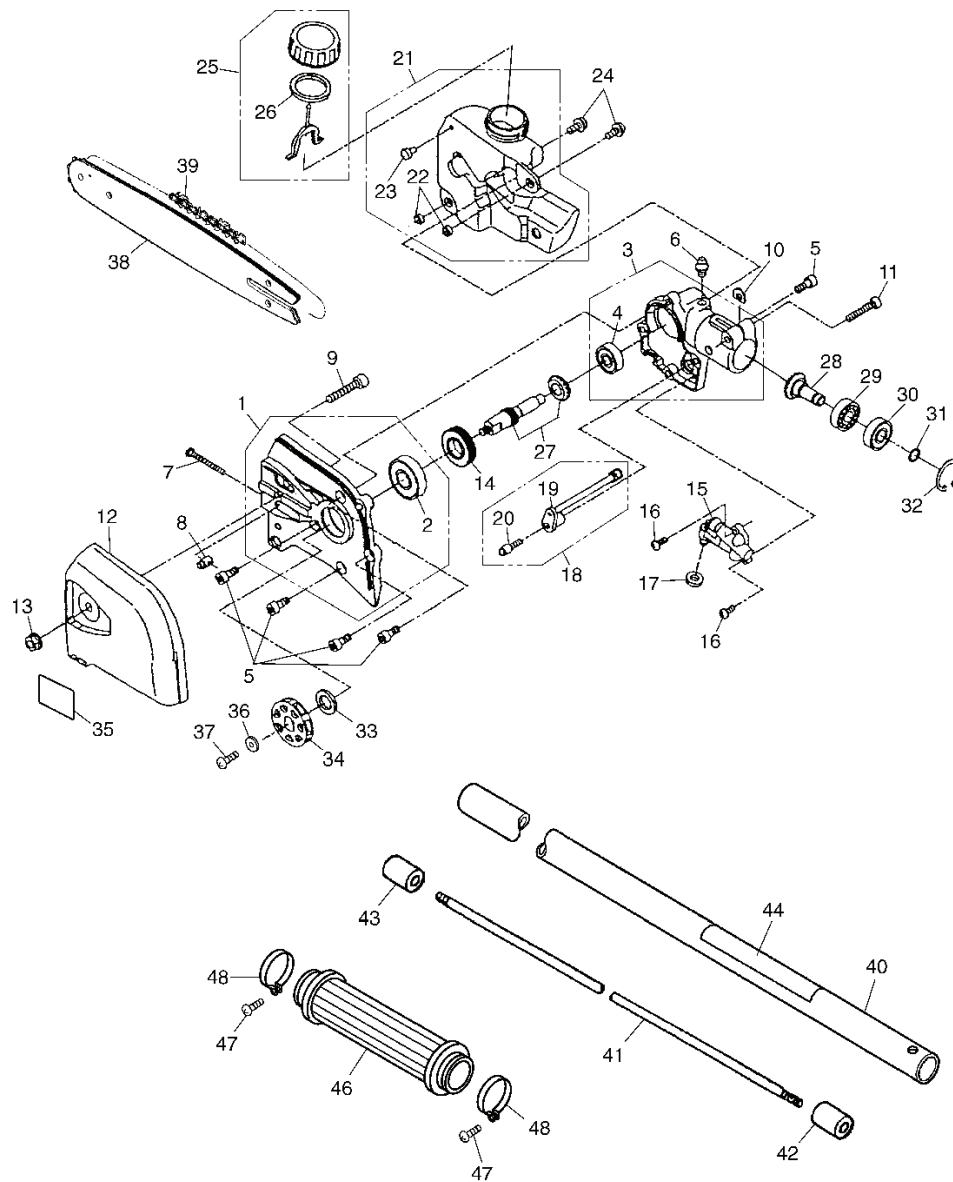


PS-EX, SN000000 UP TO SN000100

SPARE PARTS LIST

12. Parts list

Fig.5 EX-PS (S/N 000000 and up)



REF.	PART NO.	DESCRIPTION	REMARK	QTY.	KIT
1	510988001	CASE		1	2
2	506610101	BEARING		1	
3	521808901	GEARCASE RIGHT COMP		1	
4	516130401	BEARING		1	
5	516070401	BOLT		5	
6	520901801	FITTING		1	
7	521809101	SCREW		1	
8	521809201	NUT		1	
9	522655401	BOLT		1	
10	521809001	SHIM		1	
11	520931401	BOLT		1	
12	521809701	CHAIN COVER		1	
13	521809801	NUT		1	
14	521810201	WORM GEAR		1	
15	521810101	CHAIN OIL		1	
16	516109301	SCREW		2	
17	521810301	GASKET		1	
18	521810501	PIPE ASSY		1	19 20
19	521810601	OIL PIPE		1	
20	521810701	FILTOR		1	
21	521536701	OILTANK-ASSY		1	22 23
22	521810901	COLLAR		2	
23	521811001	AIR VALVE		1	
24	521811101	SCREW		2	
25	521811201	OIL CAP ASSY		1	26
26	521811301	GASKET		1	
27	521809501	GEAR		1	
28	521809601	BEVEL PIONION		1	
29	505169201	BEARING		1	
30	516130301	BEARING		1	
31	520910501	SNAP RING		1	
32	505169401	SNAP RING		1	
33	521809901	COLLAR		1	
34	521810001	SPROCKET		1	
35	521810401	LABEL		1	
36	521809301	WASHER		1	
37	521809401	SCREW		1	
38	574145201	USE PSZ12		1	
39	574102601	SAW CHAIN		1	
40	521813501	PIPE-COMP		1	
41	521813601	SHAFT		1	
42	521402501	SHAFT?JOINT		1	
43	521402601	SPACER		1	
44	510987601	LABELNAME		1	
46	521470901	GRIP		1	
47	521430801	CLANP		2	
48	516105001	SCREW		2	