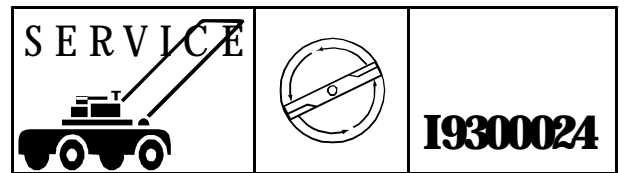


**Jonsered**



IPL, LT14 42" , 1993-01

# LT14 42"

**Spare parts**

**Ersatzteile**

**Pièces détachées**

**Reserve onderdelen**

**Repuestos**

**Reservdelar**



# REPAIR PARTS

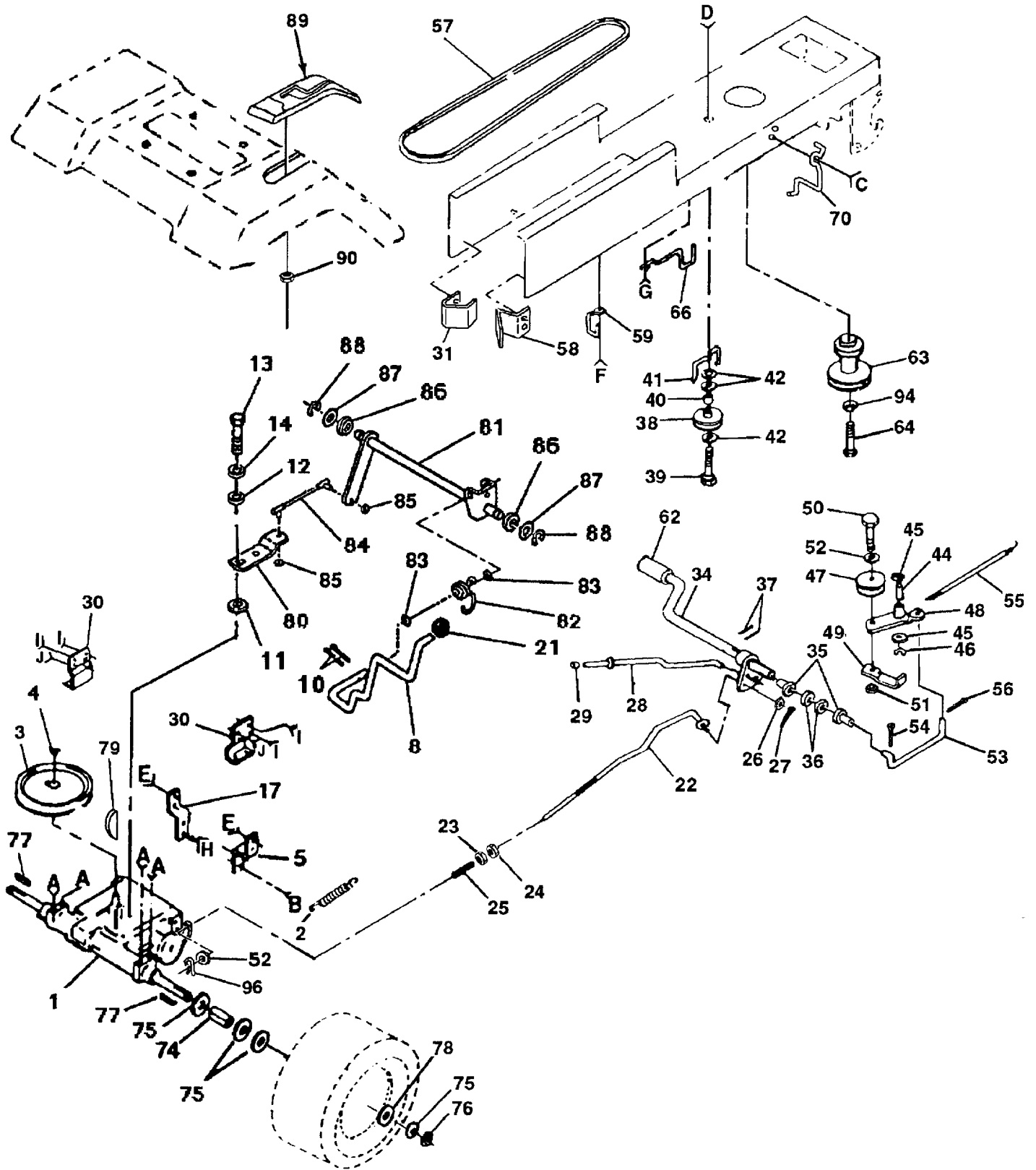
## ENCLOSURES

KEY PART NO.	PART NO.	DESCRIPTION	KEY PART NO.	PART NO.	DESCRIPTION
1	810 04 04-00	Washer, Lock 1/4	50	873 68 04-00	Nut, Crownlock 1/4-20
2	810 04 06-00	Washer, Lock Ext. Tooth 3/8	51	874 78 06-20	Bolt, Hex 3/8-16 x 1 -1/4
3	532 13 83-24	Panel, Side, L.H.	53	817 49 06-08	Screw, Hex Washer Head, Thread Forming 3/8-16 x 1/2 Type TT
4	532 13 83-35	Plate, dash	56	874 78 05-12	Bolt, Hex 5/16-18x3/4 Grade 5
5	532 12 42-52	Dashboard	57	873 68 05-00	Nut, Keps 5/16-18
7	873 68 04-00	Nut, Hex Keps 114-20 UNC	59	874 18 05-12	Screw, truss Head 5/16-18 x 3/4
9	532 12 41-30	Support, Dash	60	874 76 04-12	Screw, Hex Washer, Head 1/4-20 x 3/4
12	532 10 67-84	Assembly, Strap, Hinge, Rear	65	872 11 06-06	Bolt, Carriage 3/8-16 x 3/4 66
13	532 10 46-18	Assembly, Strap, Hinge, Front	53	2108256	Pad, Footrest
14	532 13 83-22	Hood	67	874 19 10-08	Screw, Cross Recess Pan Head Machine #10-24x 1/2
16	532 10 63-95	Lens	68	810 07 10-00	Washer, Lock #10
18	532 13 17-16	Assembly, Grill	69	532 12 50-04	Nut, Weld
19	532 13 83-25	Strap, Grill	70	532 10 98-08	Latch, Hood
22	532 13 83-23	Panel, Side, R.H.	71	874 98 10-20	Screw, Machine cross Recess #10-24x 1-1/4
31	734 11 54-41	Washer 9/32x3/4 x 16 Ga.	72	532 00 72-06	Spacer, Split 10 x 3/4
33	532 00 54-79	Plug, Button	73	873 27 10-00	Nut, Keps 10-24
34	874 78 04-08	Bolt Hex 1/4-20 x 1/2 Gr. 5	77	734 11 46-01	Washer 7/32 x 172 x 18 Ga.
35	873 68 05-00	Nut, Crownlock 5/16-18 Unc	79	532 12 64-71	Clip, Insulator
36	532 13 40-14	Plug, Dome	80	874 78 06-16	Bolt, hex 3/8-16 x 1
40	873 22 04-00	Nut, Hex 1/4-20	84	734 11 63-01	Washer 11/32 x 11/16 x 16 ga.
41	874 78 06-12	Bolt, Hex 3/8-16 x 3/4	87	734 11 72-01	Washer 13/32 x 3/4 x 10 Ga.
42	734 11 72-01	Washer 13/32x13/16x3/4	95	532 12 31-98	Nut, Wing 14-20
43	873 68 06-00	Nut, Crownlock 3(7-16	104	734 11 53-01	Washer, 9/32 x 3/8 x 16 Ga.
45	817 21 10-10	Screw, Hex Wsh. Hd. Tap. #10-16 x 5/8	105	532 13 26-44	Tab, grill
46	532 10 47-55	"J" fastener	109	872 11 06-08	Bolt, Carriage 3/8-16x1
47	874 78 06-12	Screw, Hex washer Head, Thread Rolling 3/8-16 x 2/4 Type TT	112	873 68 06-00	Nut Lock Hex W/Wsh 3/8-16
48	874 78 05-12	Screw, Hex Washer Head, Thread Rolling 5/16-18 x 3/4 Type TT			

**NOTE:** All component dimensions given in U. S. inches.  
1 inch = 25,4 mm

# REPAIR PARTS

## DRIVE



# REPAIR PARTS

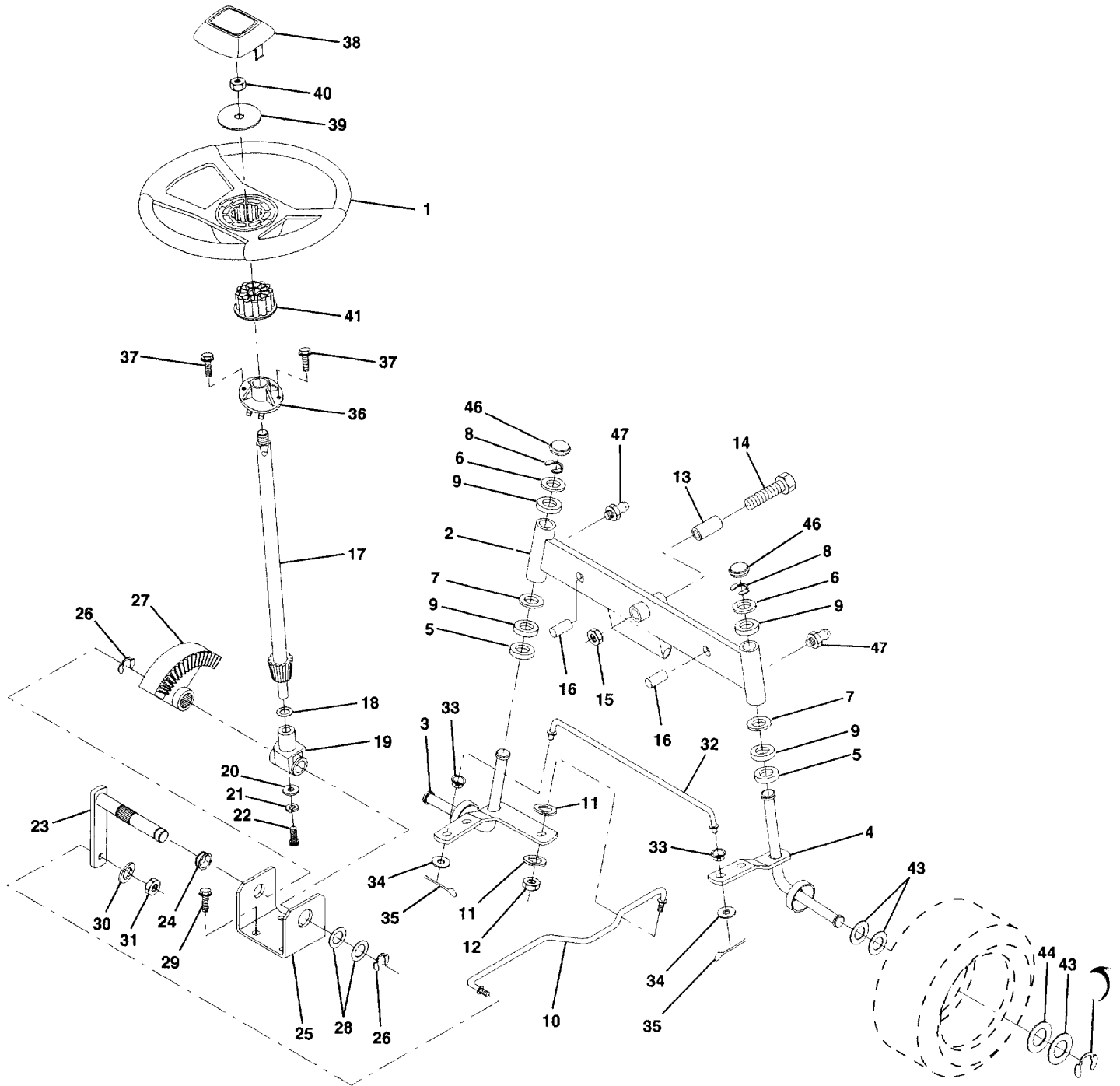
## DRIVE

KEY PART NO. NO.	DESCRIPTION	KEY PART NO. NO.	DESCRIPTION		
2	532 11 04-22	Spring Return Brake T/a Zinc	49	532 12 32-05	Retainer Belt Style Spring
3	532 12 36-66	PulleyTransaxle 18"tires	50	874 78 06-24	Bolt Hex3/8-16uncx 1-1/2
4	812 00 00-28	Ring Retainer#5100-62	51	873 68 06-00	NutCrtownlock3/8-16unc
5	532 12 15-20	Strap Torque 30 Degrees	52	734 11 72-01	Washer 13/32 x 13/16 x 16 Ga
6	874 78 05-12	Screw Thdrol 5/16-18 x 3/4 TYT	53	532 10 57-10	Link Clutch 7 66
8	532 12 72-70	Rod Shifter Blk Zinc 13 17 Lg	54	876 02 04-12	Pin Cotter 1/8 x 3/4 Cad
10	876 02 04-16	Pin Cotter 1/8x 1 Cad	55	532 10 57-09	Spring Return Clutch 6 75
11	532 10 57-01	Washer Plate Shf 388 Sq Hole	56	876 02 04-12	Pin Cotter 1/8 x 3/4 Cad
12	734 11 54-41	Washer 9/32 x 3/4 x 10 Ga.	57	532 13 82-55	V-Belt Ground Drive 95 25 42"
13	871 04 04-12	Bolt Fin Hex 1/4-28unf x 3/4 Gr8	58	532 12 72-74	Keeper Belt RH LT Pnt/zinc 169
14	810 04 04-00	Washer Lock Hvy Helical 1/4	59	532 13 67-15	Keeper Belt Chassis Span Ctr
16	873 68 05-00	Nut Crown lock 5/16-18	60	734 11 72-01	Washer 13/32 x 13/16 x 12 Ga
17	532 12 72-85	StrapTorqueLt	61	874 78 06-12	ScrewThdrol3/8-16x3/4Ty-tt
18	874 78 06-12	Bolt Fin Hex 3/8-16unc x 3/4	62	532 12 48-74	Cover Pedal Blk Round
19	873 68 06-00	Nut Crownlock 3/8-16 Unc	63	532 13 48-25	Engine Pulley LT/YT
20	874 78 05-12	Screw Thdrol 5/16-18 x 3/4 TYT	64	871 17 07-64	Bolt Hex 7/16-20 x 4 Gr 5
21	532 12 12-74	Knob Duckhead 1/2-13 Unc	66	532 12 99-21	Keeper Belt Engine LH LT
22	532 13 08-04	Rod Brake Blk Zinc 26 840	67	874 78 06-16	Bolt Fin Hex 3/8-16unc x 1
23	873 68 06-00	Nut Lock Hex W/wsh 3/8-16unc	68	734 11 72-01	Washer 13/32 x 1 3/16 x 12 Ga
24	873 22 06-00	Nut Hex jam 3/8-16 Unc	69	873 68 06-00	Nut Crownlock 3/8-16 Unc
25	532 10 68-88	Spring Rod Brake 2 00 Zinc	70	532 13 46-83	Guide Belt Mower Drive RH
26	734 11 72-01	Washer 13/32 x 13/16 x 16 Ga	71	874 78 06-16	Bolt Fin Hex 3/8-16unc x 1
27	876 02 04-12	Pin Cotter 1/8 x 3/4 Cad	72	734 11 74-41	Washer 13/32 x 1 -1/4 x 12 Ga
28	532 13 32-61	Rod Brake Parking YT	73	873 68 06-00	Nut Crownlock3/8-16 Unc
29	532 07 16-73	Cap Brake Parking Black	74	532 13 70-57	Spacer Axle
30	532 13 08-07	BracketMtgTransaxle	75	532 12 17-49	Washer25/32x1 1/4x16Ga
31	532 12 72-75	Keeper Belt LH LT 14 Ga	76	812 00 00-01	E-ring #5133-75
32	874 78 05-12	Bolt Hex Hd 5/16-18unc x 3/4	77	532 12 35-83	Key Square 2 0 x 1845/1865
33	873 68 05-00	CrownLocknut5/16-18	78	532 12 17-48	Washer25/32x1-5/8x16Ga
34	532 12 24-24	Shaft asm Pedal Foot 1 930	79	532 12 50-96	Key Woodruff#9 3/16x3/4
35	532 12 01-83	Bearing Nylon Blk 629 Id	80	532 13 14-86	Arm Shift Transaxle
36	734 11 85-71	Washer 21/32 x 1 x 16 Ga	81	532 13 69-32	Shaft Asm cross 18"t 42-deck
37	532 12 49-63	Pin Roll 3/16 x 1"	82	532 12 37-82	Spring Torsion T/a
38	532 12 36-74	Pulleyidler Flat	83	734 11 77-71	Washer17/32 x3/4 x16 ga
39	874 76 06-44	Bolt Fin Hex 3/8-16unc x 2-3/4	84	532 12 37-93	Rod Link Shift Adj 3 710
40	532 12 49-65	Spacer Split 395 x 59 Bzp	85	873 61 04-00	Nut, Nylock 1/4-28
41	532 10 90-70	Keeper Belt Retainer	86	532 07 12-08	Bushing Rod Strg 629/632 Id
42	734 11 72-01	Washer 13/32 x 1 3/16 x 12 Ga	87	819 21 20-16	Washer 21/32 x 1 -1 /4 x 16 Ga
43	873 68 06-00	Nut crownlock 3/8-16 Unc	88	812 00 00-08	Ring Klip #5304-62
44	532 10 57-06	Bearing Nyl 503 x 628 x 1 25	89	532 13 16-36	Console Shift 6sp W/ign LT
45	532 11 08-12	WasherHardened	90	532 12 43-46	NutSelf-thdWsh-hd114Zinc
46	812 00 00-39	Ring Klip #5304-50	94	810 04 07-00	Washer Lock Hvy Hlcl Spr 7/16
47	532 12 77-83	PulleyidlerGroove Plastic	95	874 78 06-12	ScrewThdrol3/8-16x3/4Ty-tt
48	532 12 37-89	Bellcrank Asm Clutch	96	532 12 47-88	Retainert Spring

**NOTE:** All component dimensions given in U.S. inches.  
1 inch = 25.4 mm.

# REPAIR PARTS

## STEERING ASSEMBLY



# REPAIR PARTS

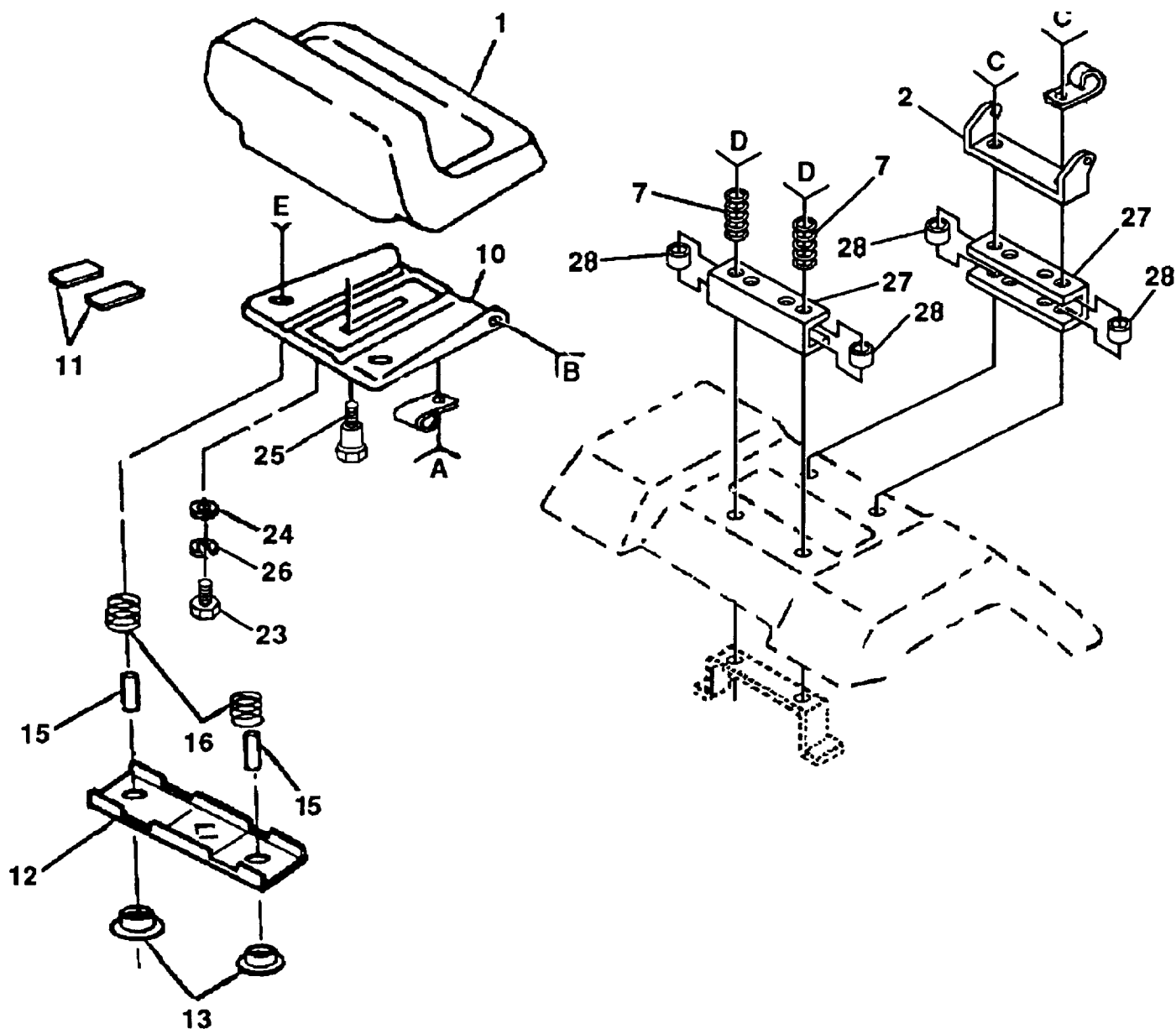
## STEERING ASSEMBLY

KEY PART NO. NO.	DESCRIPTION	KEY PART NO. NO.	DESCRIPTION		
1	532 12 14-72	Wheel Steering	25	532 12 40-36	Bracket Steering
2	532 13 39-88	Axle Asm Fr LT W/gzks 38/42	26	812 00 00-29	Ring Klip #5304-75
3	532 13 52-27	Spindle Asm LH	27	532 13 68-74	Gear Sector 22 Teeth
4	532 13 52-28	Spindle Asm RH	28	532 12 49-31	Bearing Race Thrust Harden
5	532 12 49-31	Bearing Race Thrust Harden	29	874 78 06-12	Screw Thdrol 3/8-16 x 3/4 Ty-n
6	532 12 17-48	Washer 25/32 x 1 -5/8 x 16 Ga	30	810 04 06-00	Washer Lock Hvy Hlcl Spr 3/8
7	819 27 20-16	Washer 27/32 x 1-1/4 x 16 Ga	31	873 61 06-00	Nut Fin Hex 3/8-24 Unf
8	812 00 00-29	Ring Klip#5304-75	32	532 13 04-65	RodTieWireForm1975Mech
9	532 00 33-66	Bearing Col Strg Blk	33	532 12 68-47	Bushing Link Drag Blk LR
10	532 13 04-68	Link Drag Sol ball Jt 20 064	34	734 11 72-01	Washer 13/32 x 7/8 x 16 ga
11	810 04 06-00	Washer Lock Hvy Hlcl Spr 3/8	35	876 02 04-12	Pin Cotter 1/8 x 3/4 Cad
12	873 61 06-00	Nut Fin Hex 3/8-24 Unf	36	532 12 47-20	Bushing Strg
13	532 11 04-38	SpacerBearingAxle Front	37	817 21 10-08	ScrewSöftp#10-16xl/2Ty-b
14	874 01 10-56	BoltHex5/8-11 Uncx3-1/2	38	532 12 68-05	CapWhelSteer
15	873 68 10-00	NutLockFlange5/8-11 Unc	39	532 10 07-12	Washer.53x2.25x.160
16	532 13 26-24	Pin Axle 5/8 x 1 55/1 54 Lg	40	873 61 08-00	Nut, Hex, Jam, Toplock 1/2-20unf
17	532 12 87-58	ShaftAsmStrg1831 x3/4 YpLt	41	532 10 07-11	AdaptorWheelStrg.7581/.7531D
18	532 05 70-79	Washer Thrust 515 x 750 x 033	43	532 12 17-49	Washer 25/32 x 1 1/4 x 16 Ga
19	532 12 40-35	Support Shaft	44	532 12 17-48	Washer 25/32 x 1-5/8 x 16 Ga
20	532 12 66-84	Washer Shim 1/4 x 5/8 x 062	45	812 00 00-29	Ring Klip #5304-75
21	810 04 04-00	Washer Lock Hvy Helical 1/4	46	532 12 12-32	Cap Spindle Fr Top Blk
22	871 07 04-10	ScrewHexSocket1/4-20 x5/8	47	532 12 48-36	FittingGrease
23	532 12 75-01	Shaft Asm Pittman			
24	532 10 98-16	Nyliner Snap In			

**NOTE:** All component dimensions given in U.S. inches.  
1 inch = 25,4 mm

# REPAIR PARTS

## SEAT ASSEMBLY



### KEY PART NO. NO.

### DESCRIPTION

1	532 12 74-29	Seat V550 Blk/bik Std
2	532 12 66-56	Bracket Pivot Seat8 720
3	874 76 06-40	Bolt Fin Hex 3/8-16unc X 2-1/2
6	873 68 06-00	Nut Crownlock 3/8-16 Unc
7	532 12 41-81	Spring Seat Cprsn 2 250 Blk Zi
9	819 13 16-14	Washer 12/32 x 1 x 14 Ga
10	532 13 14-51	Pan Seat
11	532 12 12-51	Strip Foam Gray Black
12	532 12 12-46	Bracket Mounting Switch
13	532 12 12-48	Bushing Snap Blk Nyl 50 Id
14	872 05 04-11	Bolt Rdhd Sht Nk 1/4-20x1-3/8
15	532 13 43-00	Spacer Split 28x96 Yel Zinc
16	532 12 12-50	Spring Cprsn 1 27 Blk Pnt

### KEY PART NO. NO.

### DESCRIPTION

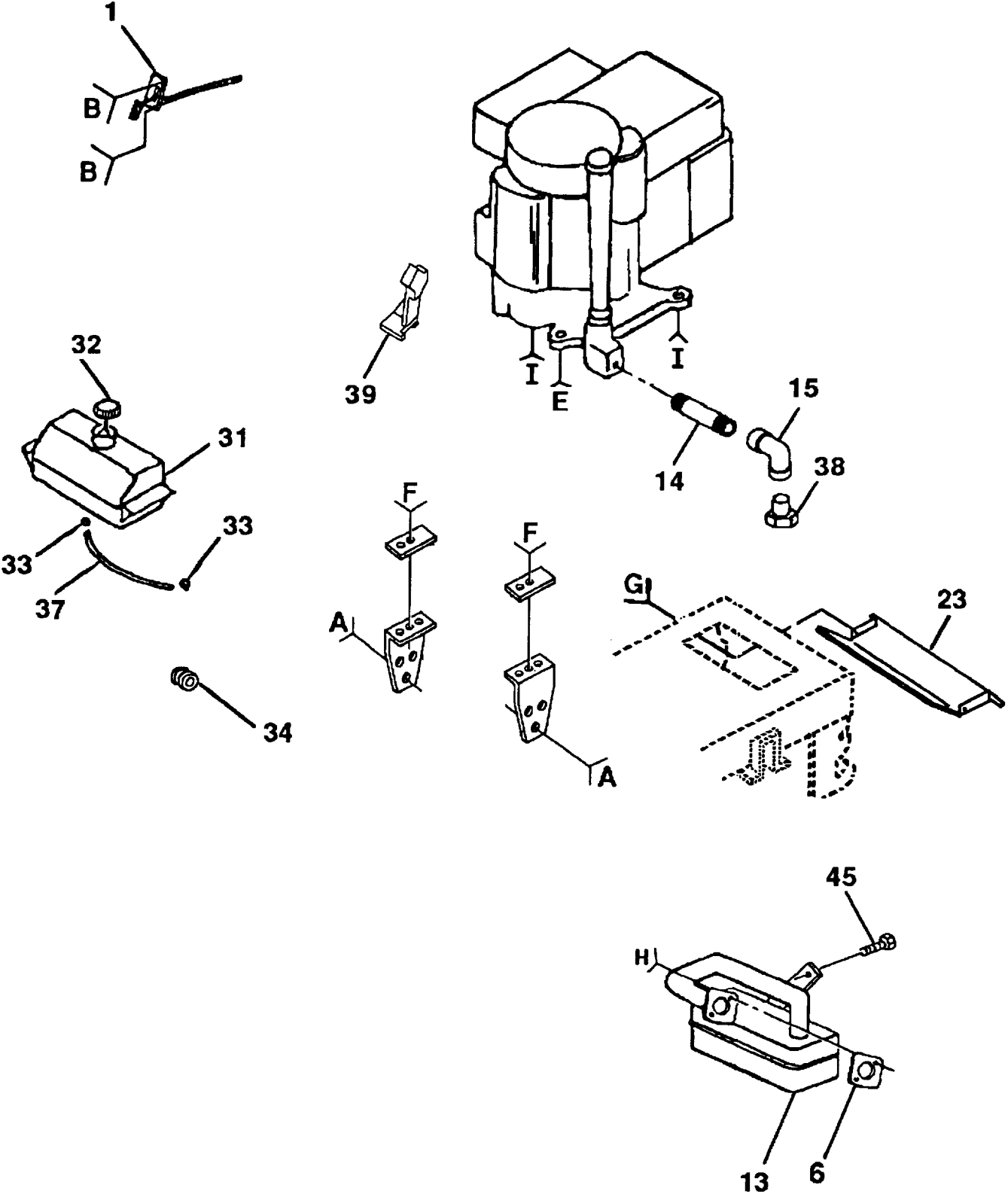
18	874 64 10-08	Screw SLTD Pan Hd # 10-32 X 1/2
19	873 16 10-00	NutKeps#10-32Unf
21	532 10 55-29	Bolt Shoulder 5/16-18 Unc Blkz
22	873 68 05-00	Nut Crown Lock 5/16-18
23	874 78 08-14	Bolt, Hex 1/2-13 x 7/8
24	819 17 19-12	Washer 17/32 x 1-3/16 x 12 Ga
25	532 12 70-18	Bolt Shoulder 5/16-18 x 62
27	532 13 17-72	Spacer, Seat
28	532 13 17-71	Spacer, Split

**NOTE.** All component dimensions given in U.S. inches.  
1 inch =25.4 mm.



# REPAIR PARTS

## ENGINE



# REPAIR PARTS

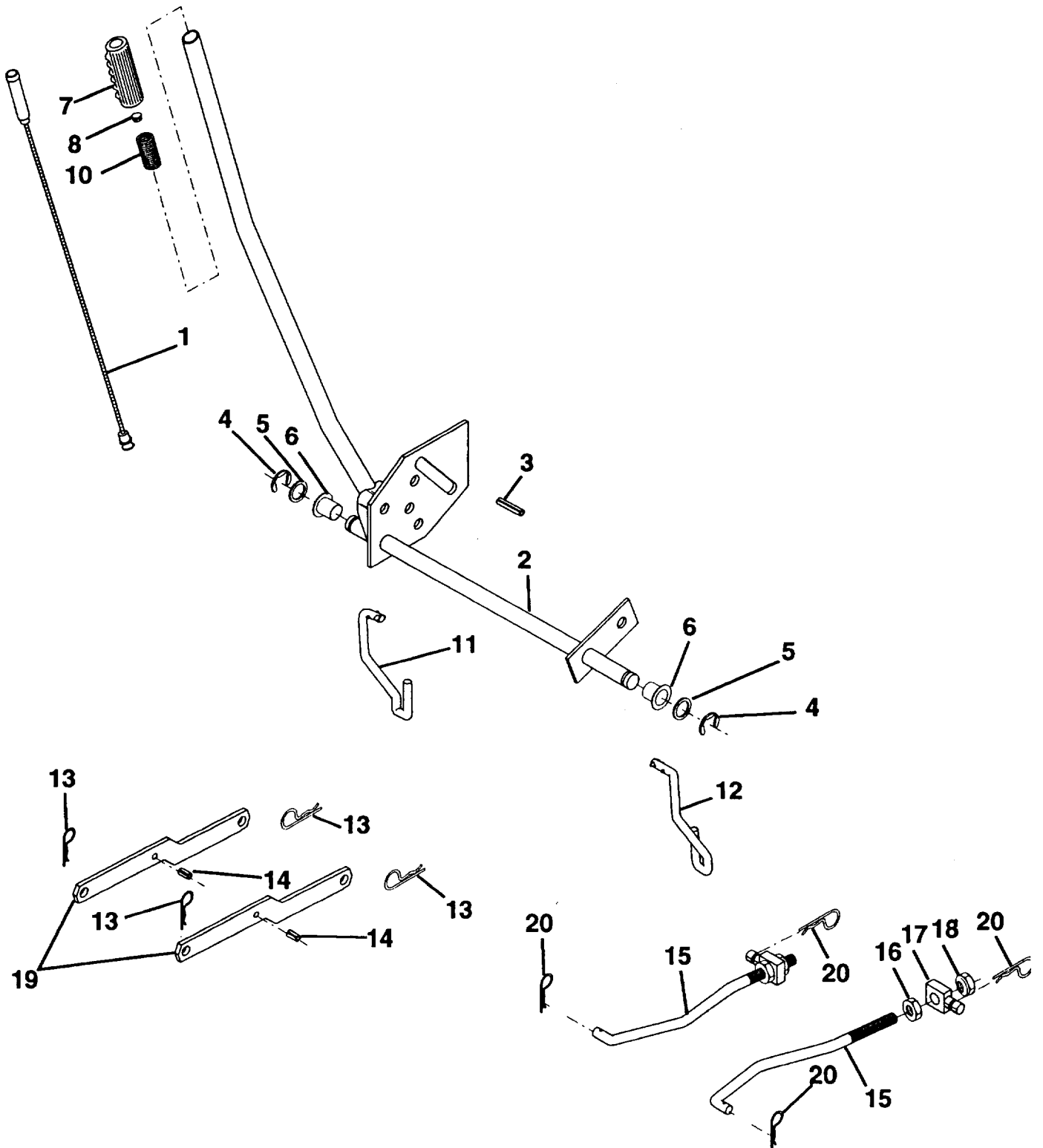
## ENGINE

KEY NO.	PART NO.	DESCRIPTION
1	532 13 27-50	Control Th/ch RH Blk
2	874 78 04-10	Screw Hex Thd Cut 1 /4-20 x 5/8 T
6	532 12 55-93	Gasket Eng 1 313 Id Tin Plated
7	810 04 05-00	Washer Lock Hvy Hlcl Spr 5/16
13	532 13 73-52	Muffler LT B&S 14HP Ic/ohv
14	813 28 03-24	Nipple Pipe 3/8 Npt x 3"
15	813 20 03-00	Elbow Std 90 Degree 3/8-18 Npt
16	810 04 06-00	Washer Lock Ext Tooth 3/8
17	874 78 06-20	ScrewThdrol3/8-16x1-1/4TYTT
23	532 12 89-53	Shield Heat Browning LT/YT
24	817 02 10-08	Screw tap Hex #10-24unc x 1/2
31	532 10 92-02	Tank Fuel Front 1 25
32	532 12 35-49	Cap Asm Fuel W/sym Vented
33	532 12 34-87	Clamp Hose Black
34	532 12 40-28	Bushing Snap Nyl Blk Fuel Line
35	874 78 06-12	Screw Hexwsh Thdrol 3/8-16 x 3/4
36	819 09 14-16	Washer 9/32 x 7/8 x 16 Ga
37	532 00 85-48	Line Fuel 9.5"
39	532 12 79-51	Stop Throttle
43	874 78 06-16	Bolt Hex 3/8-16 x 1
44	873 68 06-00	Nut Crownlock
45	874 76 04-12	Screw Thdrol 1 /4-20 x 3/4

**NOTE:** All component dimensiones given in U.S. inches.  
1 inch = 25,4 mm

# REPAIR PARTS

## 42" MOWER LIFT



# REPAIR PARTS

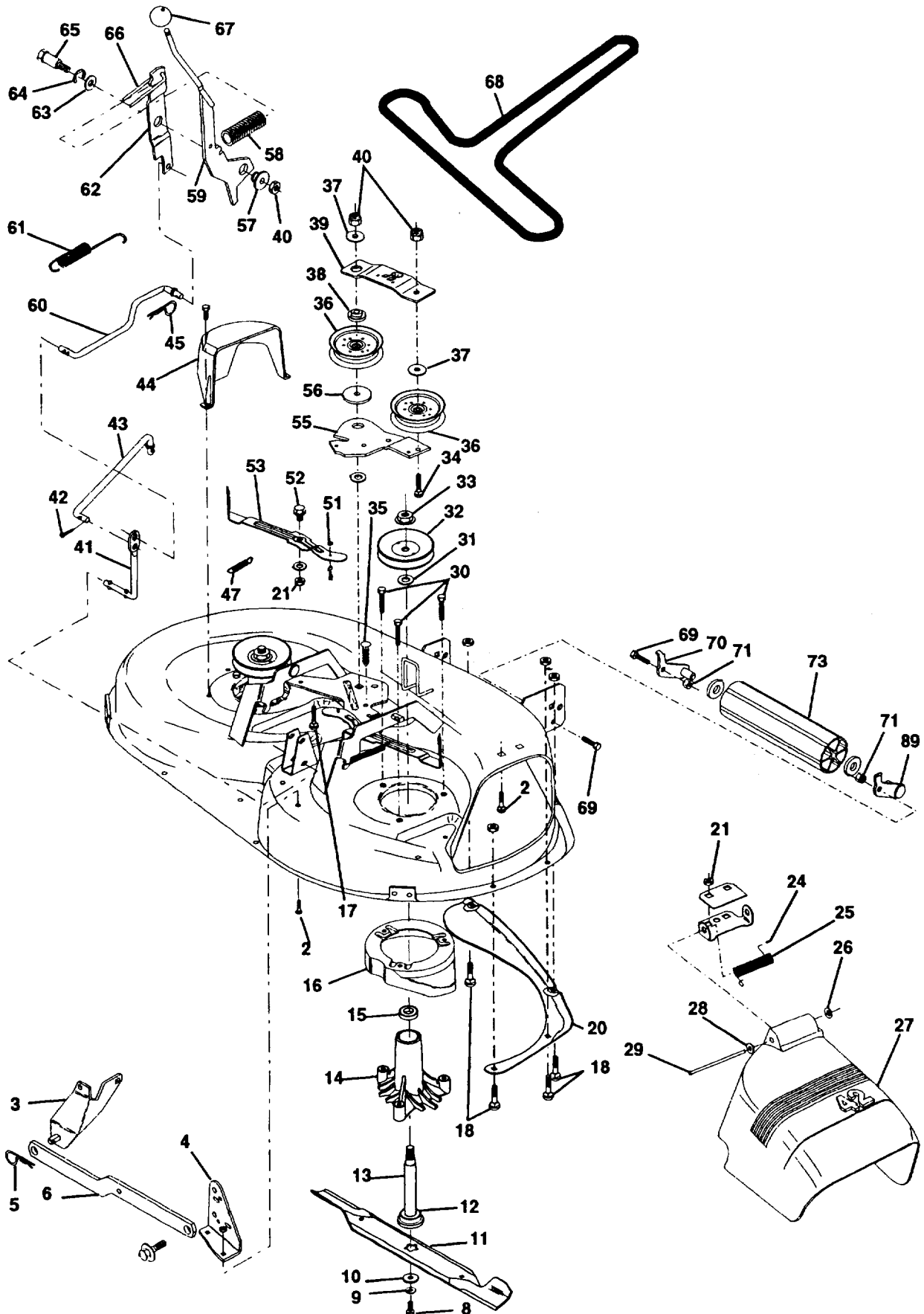
## 42" MOWER LIFT

KEY PART NO.	PART NO.	DESCRIPTION
1	532 13 69-73	Wire Asm Inner W/plunger 17 32
2	532 13 71-11	Shaft Asm Lift
3	532 13 82-84	Pin Groove
4	812 00 00-02	E Ring #5133-62
5	819 21 14-16	Washer PLTD 21/32 x 7/8 x 16ga
6	532 12 01-83	Bearing Nylon Nlk 629 Id
7	532 12 56-31	Grip Handle Bicycle Matte Blk
8	532 12 59-25	Button Plunger Black
10	532 12 25-12	Spring Cprsn 3 750 Oiled
11	532 13 46-19	Link Lift LHFxedLenght
12	532 13 53-88	Link Lift RH Fixed Lenght
13	532 12 46-70	Retainer Spring
14	532 13 55-63	Pin Roll SLT 5/.16 x 1 25 Blk G
15	532 12 72-18	Link Front
16	873 22 08-00	Nut jam Hex 1/2-13 Unv
17	532 13 01-71	Trunnion Blk Zinc
18	873 80 08-00	Nut Lock W/wsh 1/2-13unc
19	532 13 08-32	Arm Suspension Rear
20	532 12 46-60	Retainer Sprin

**NOTE:** All component dimensiones given in U.S. inches.  
1 inch = 25,4 mm

# REPAIR PARTS

## 42" MOWER DECK



# REPAIR PARTS

## 42" MOWER DECK

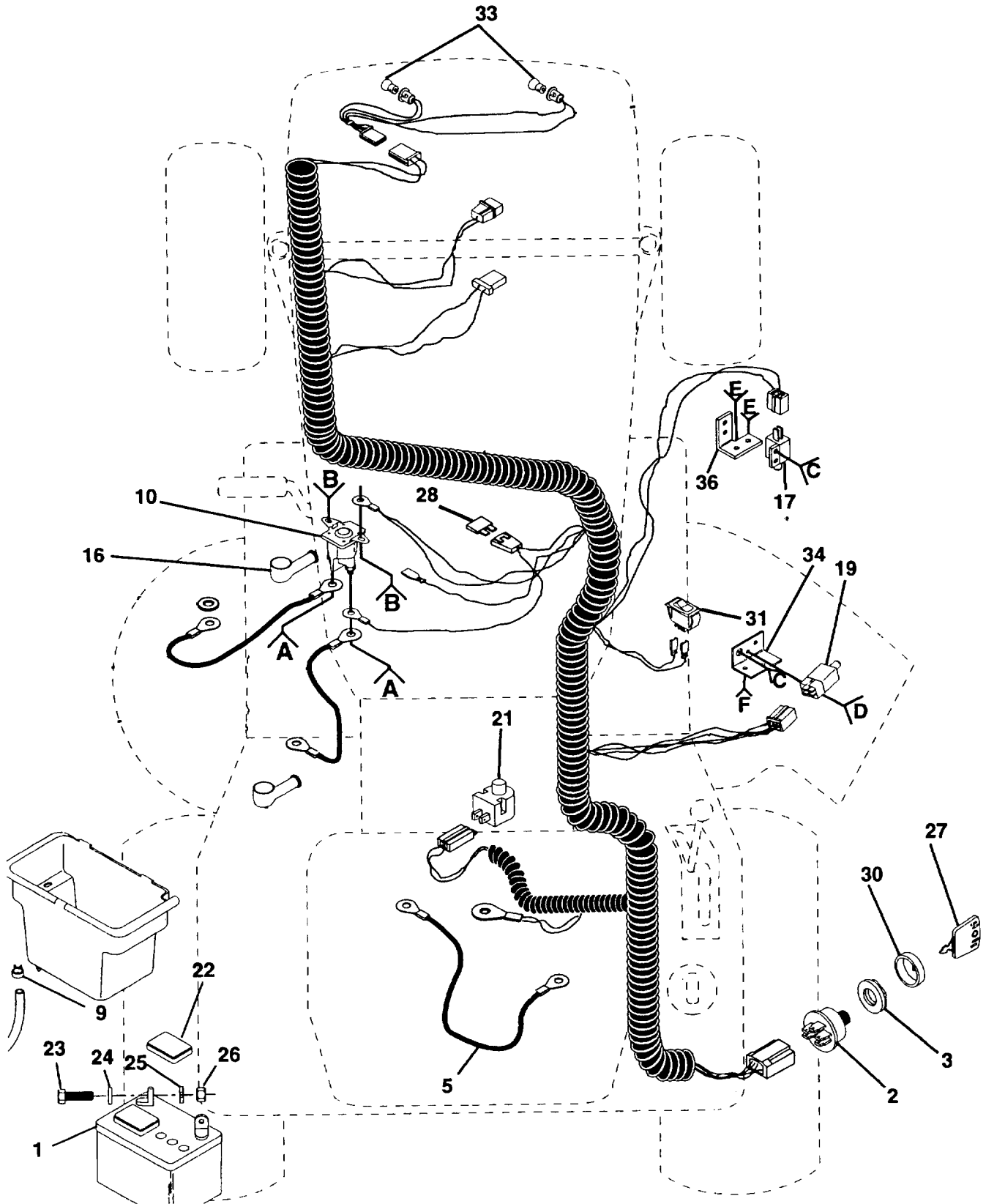
KEY PART NO.	PART NO.	DESCRIPTION	KEY PART NO.	PART NO.	DESCRIPTION
2	872 14 05-06	BoltRdhdSqnk5/16-18uncx3/4	38	532 13 35-02	SpacerArmidlerUpperHdn42"
3	532 13 80-17	BracketAsmFrSwayBar38/42	39	532 13 35-03	StiffenerArmidlerUpper42"
4	532 13 84-40	Bracket Asm Deck 42"sway Bar	40	873 68 06-00	Nut Crownlock 3/8-16 Unc
5	532 12 46-70	Retainer Spring	41	532 13 35-51	Rod Pivot W/nibs
6	532 13 08-32	Arm Suspension Rear	42	876 02 03-12	Pin Cotter 3/32 x 3/4 cad
8	532 85 08-57	Bolt 3/8-24 x 1.25 Gr 8	43	532 13 35-04	Rod Clutch Secondary W/nibs
9	810 04 06-00	Washer Lock Hvy 3/8	44	532 13 42-36	Guard Mandrel LH Black
10	532 12 99-62	Washer Hard Blade Mower Vented	45	532 12 47-88	Spring Retainer 1" Zinc/cad
11	532 13 84-98	Blade Mower High Perf 42"	47	532 13 13-35	Spring Extension
12	532 12 98-95	Bearingball#6024(Mandrel)	51	532 06 91-80	NutLock#10-24Unc
13	532 13 76-45	Shaft Asm W/lower Bearing	52	532 10 55-29	Bolt Shoulder 5/16-18 Unc Blkz
14	532 12 87-74	Housing Mandrel Vented	53	532 13 18-45	Arm Asm Pad Brake
15	532 11 04-85	Bearing Ball Mandrel	55	532 13 38-44	Arm Idler42"mowerLTNT
16	532 13 69-29	Stripper Mower Vented	56	532 12 20-52	Spacer Retainer Pm Mower
17	872 11 06-18	Bolt Rdhd Sqnk 3/8-16 x 2-1/4	57	532 12 74-98	Bushing 747 Od x 794 Lg Brass
18	872 14 05-05	Bolt rdhd Sqnk 5/16-18 x 5/8	58	532 12 87-59	Spring Clutch Mower 2 750 Zinc
20	532 13 68-88	Baffle Vortex 42	59	532 13 80-03	Arm Asm Clutch Primary
21	873 68 05-00	NutCrownLock5716-18	60	532 13 46-66	RodClutcPrimary38/42
24	532 10 53-04	CapSleeve80 x112 BlkMower	61	532 13 18-70	Spring Return
25	532 12 37-13	Spring Torsion Deflector 2 52	62	532 12 78-47	Arm Clutch Secondary
26	532 11 04-52	Nut Push Phos & Oil	63	532 12 17-48	Washer 25/32 x 1-5/8 x 16 Ga
27	532 13 09-68	Shield deflector Mower 42" Nik	64	812 00 00-29	Ring Klip #5304-75
28	734 11 63-01	Washer11/32x578x16Ga	65	532 12 89-03	BoltShoulder378-16Unc144
29	532 13 14-91	Rod Hinge 42"6 75 Wlg	66	532 12 78-45	Keeper Spring 4 000
30	532 07 81-58	Bolt5716-18x1 25T/t	67	532 13 20-44	CoverHandleRound Black
31	532 12 99-63	Washer Spacer Mower Vented	68	532 13 09-69	V-Belt Mower 42" 92 40
32	532 12 98-61	Pulley Mandrel 422	69	874 78 06-16	Bracket Asm. Noseroller LH
33	532 13 72-66	Nut 9/16 Toplock Flng Oil Dip	70	532 13 22-74	Bracket Asm. Noseroller LH
34	872 11 06-14	BoltRdhd3/8-16uncx1-3/4Gr5	71	873 68 06-00	NutCrownlock3/8-16
35	532 13 38-35	Fastner Christmas Tree	73	532 13 22-64	Roller Nose
36	532 13 14-94	Pulley Idler Flat 3 060	89	532 13 22-73	Bracket Asm. Noseroller RH
37	819 13 16-14	Washer 13/32 x 1 x 12 Ga		532 13 07-94	Mandrel Asm Service (Includes Key Nos. 8-10, 12-15, 31 and 33)

**NOTE:** All component dimensions given in U.S. inches.

1 inch = 25,4 mm

# REPAIR PARTS

## ELECTRICAL



# REPAIR PARTS

## ELECTRICAL

KEY PART NO.	PART NO.	DESCRIPTION
1	506 78 88-01	Battery 12 VOLTS 25 AMP
2	532 10 29-72	Switch Ignition 5 Term
3	532 12 42-11	Nut Ignition
5	532 12 47-73	Cable Ground 6 Ga 12"black
9	532 10 95-96	Clamp House Olive
10	532 13 84-06	Solenoid
11	810 04 04-00	Washer Lock 1/4
12	873 22 04-00	Nut Jam Hex 1/4-20 Unc
13	874 78 04-08	Bolt Hex Hd. Fin 1/4-20 x 1/2 Gr. 5
14	810 04 04-00	Washer Lock Ext Tooth 1/4
15	873 68 04-00	Nut Keps Hex 1/4-20 Unc
16	532 13 15-63	Cover Terminal red
17	532 10 95-53	Switch Intik Clutch Gry 4 Term
18	817 02 10-08	Screw Tap Hex #10-24unc x 1/2
19	532 10 44-45	Switch Inrik Clutch gry 2 Term
20	817 02 10-08	Screw Tap Hex #10-24unc x 1/2
21	532 12 13-05	Switch Plunger Nc Gray
22	532 12 12-64	Caps Battery 20/25/30 AMP
23	874 76 04-12	Bolt Hex Hd 1/4-20unc x 3/4
24	734 11 53-01	Washer 9/32 x 5/8 x 16 Ga
25	810 04 04-00	Washer Lock Hvy Helical 1/4
26	873 22 04-00	Nut Fin Hex 1/4-20 Unc
27	516 84 46-00	Key Ign Molded geberic
28	532 10 88-24	Fuse 30 AMP Auto Green
30	532 12 36-20	Cover Sw Key Blk 1 25 text SL T
31	532 11 07-12	Switch Light Blk Blk Red
33	532 00 41-52	Bulb Light #1156
34	532 10 82-36	Bracket Switch Clutch
35	817 02 10-08	Screw Tap Hex #10-24unc x 1/2
36	532 13 08-90	Bracket Switch Interlock
37	817 02 10-08	Screw Tap Hex #10-24unc x 1/2

**NOTE:** All component dimensions given in U.S. inches.  
1 inch = 25,4 mm