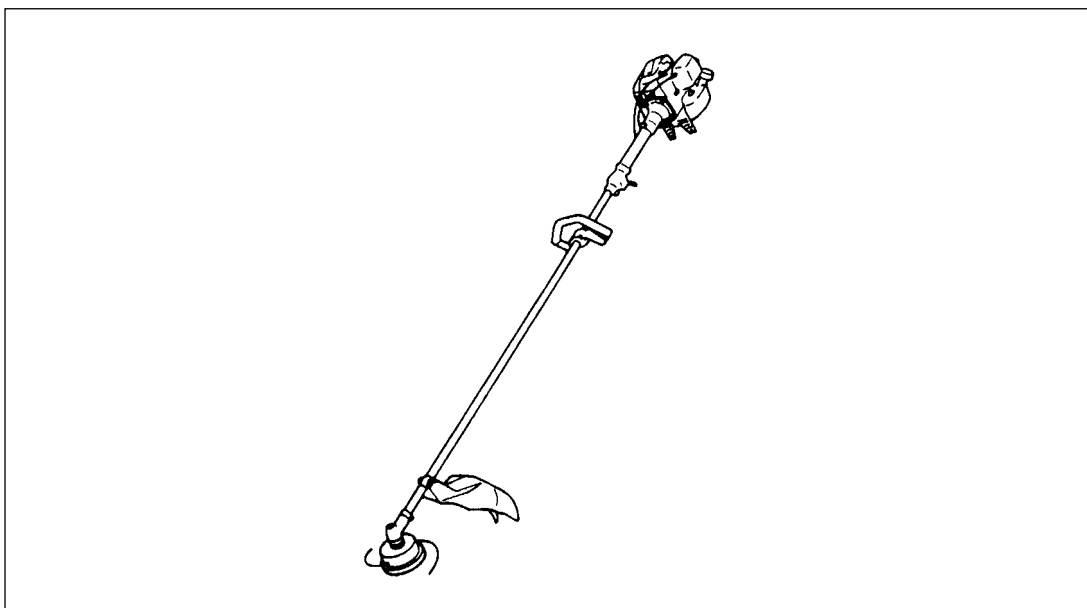




ILLUSTRATED PARTS LIST

BRUSHCUTTERS

BC2601DL



WARNING



The engine exhaust from this product contains chemicals known to the State of California to cause cancer, birth defects or other reproductive harm.

Thank you for purchasing a RedMax product.

Before using our brushcutters, please read this manual carefully to understand the proper use of your unit.

APPLICABLE SERIAL NUMBERS :

DRIVE UNIT 900101 and up

ENGINE UNIT 900101 and up

BRUSHCUTTERS

BC2601DL

NOTE :

1. Use KOMATSU ZENOAH genuine parts as specified in the parts list for repair and/or replacement.
2. KOMATSU ZENOAH does not warrant the machines, which have been damaged by the use of any parts other than those specified by the company.
3. When placing parts orders for repair and/or replacement, check if the model name and the serial number are applicable to those specified in the parts list, then use parts number described in the parts list.
4. The contents described in the parts list may change due to improvement.
5. The parts for the machine shall be supplied seven (7) years after the machine is discontinued. [It is possible that some specific parts may be subject to change of their delivery term and list price within the limit of ten (7) years after the machine is discontinued. It is also possible that some parts may be available even after the limit of seven (7) years.]

APPLICABLE SERIAL NUMBERS :

Oct.1999

DRIVE UNIT 900101 and up

ENGINE UNIT 900101 and up

Parts List

Fig.1 TRIMMER GROUP BC2601DL

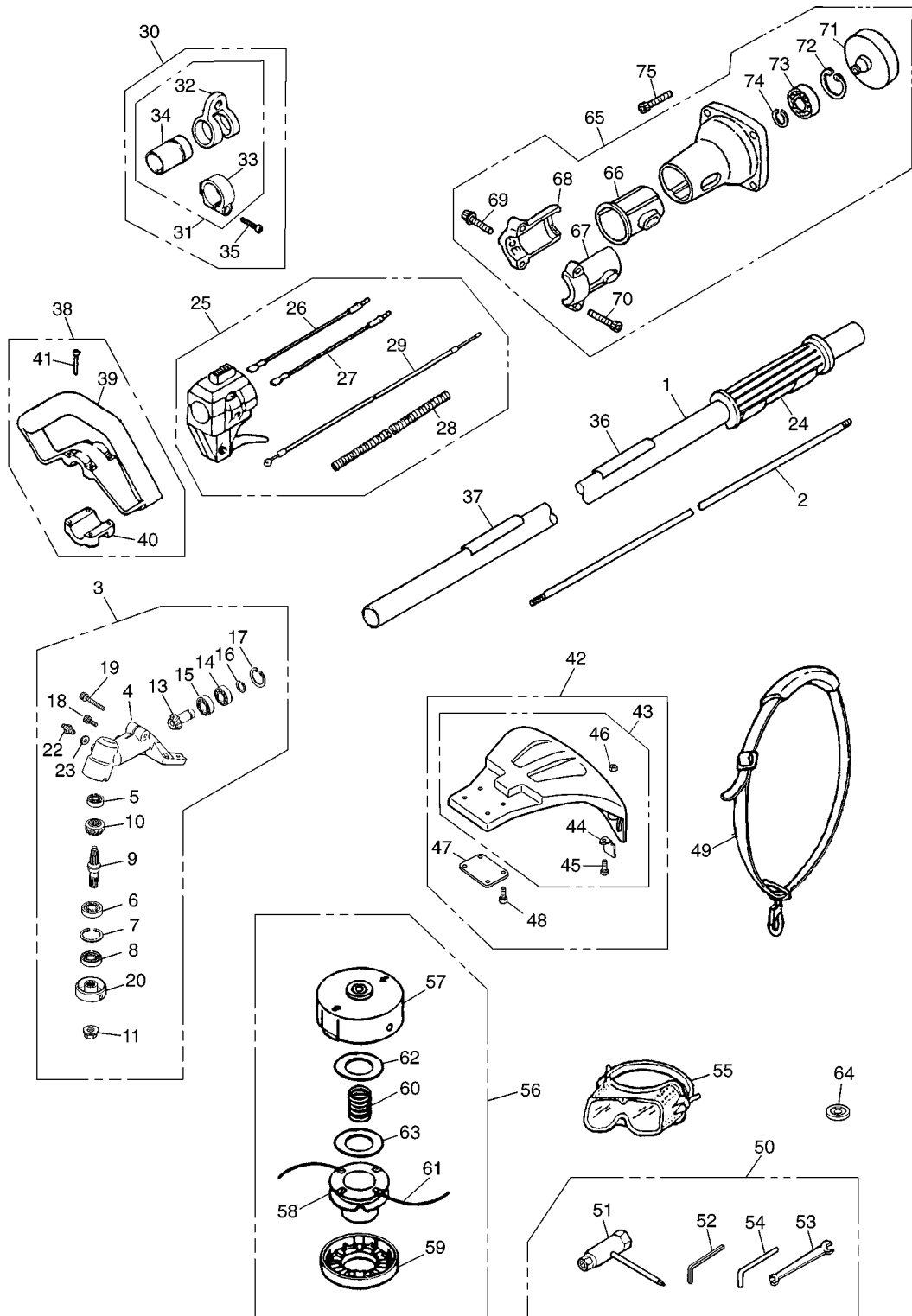


Fig.1 TRIMMER GROUP BC2601DL

Key#	Description	Part Number	Q'ty	Key#	Description	Part Number	Q'ty
1	PIPE-COMP	T3002-12100	1	51	• SOCKET	T3051-91310	1
2	SHAFT	3520-12212	1	52	• WRENCH	09007-00425	1
3	GEARCASE-ASS'Y	T3002-13001	1	53	• SPANNER	3540-91120	1
4	• GEARCASE	6489-13110	1	54	• BAR	3540-91110	1
5	• BEARING	06000-00626	1	55	GOGGLE	T3002-91190	1
6	• BEARING	06000-06000	1	56	TAP. HEAD 4"	PT104	1
7	• RING	04065-02612	1	57	• CASE	6460-15113	1
8	• SEAL	3565-13130	1	58	• CORD HOLDER	6460-15142	1
9	• SHAFT	T3002-13210	1	59	• COVER	6460-15131	1
10	• GEAR	6440-13220	1	60	• SPRING	6041-99162	1
11	• NUT	T3002-13260	1	61	• TRIMMER LINE	6460-15180	1
—	—	—	1	62	• PLATE, large	3268-15150	1
13	• PINION	T3002-13310	1	63	• PLATE, small	3268-15170	1
14	• BEARING	06001-00609	1	64	HOLDER (B)	6019-13250	1
15	• BEARING	06000-00609	1	65	HOUSING, ASS'Y	T3051-11000	1
16	• RING	3210-13330	1	66	• CUSHION	6470-31230	1
17	• RING	04065-02412	1	67	• BRACKET (A)	6470-31211	1
18	• BOLT	01252-30510	1	68	• BRACKET (B)	6470-31221	1
19	• BOLT	3350-21320	1	69	• BOLT	01252-30514	1
20	• HOLDER (A)	6440-13242	1	70	• BOLT	01252-30530	2
—	—	—	1	71	• DRUM	6460-12111	1
22	• FITTING, grease	3199-13350	1	72	• SNAPRING	04065-02812	1
23	• WASHER	01641-20608	1	73	• BEARING	06004-06001	1
24	GRIP	3577-32141	1	74	• SNAPRING	04064-01210	1
25	LEVER-COMP	T3002-12200	1	75	BOLT	6468-91150	4
26	• CORD (A)	T3002-12220	1				
27	• CORD (B)	T3002-12230	1				
28	• TUBE	T3002-12240	1				
29	• CABLE	T3002-83100	1				
30	HANGER-ASS'Y	6420-17300	1				
31	• HANGER-COMP	6420-17400	1				
32	•• HANGER	9366-17110	1				
33	•• CLAMP	9366-17120	1				
34	•• SLEEVE	6420-17410	1				
35	• SCREW	00263-90525	1				
36	PLATE-NAME	T3051-12510	1				
37	PLATE	6425-12552	1				
38	HANDLE-ASS'Y	6420-14100	1				
39	• HANDLE	6420-14311	1				
40	• CLAMP	6420-14320	1				
41	• SCREW	00263-90535	4				
42	GUARD-ASS'Y	T3002-24001	1				
43	• GUARD COMP	T3002-24101	1				
44	•• BLADE	T3002-24121	1				
45	•• SCREW	00263-90516	1				
46	•• NUT	3320-15310	1				
47	• PLATE	6489-24120	1				
48	• BOLT	01252-30514	4				
49	STRAP-ASS'Y	T3002-17200	1				
50	TOOL-SET	T3051-91000	1				

Parts List

Fig.2 ENGINE GROUP BC2601DL

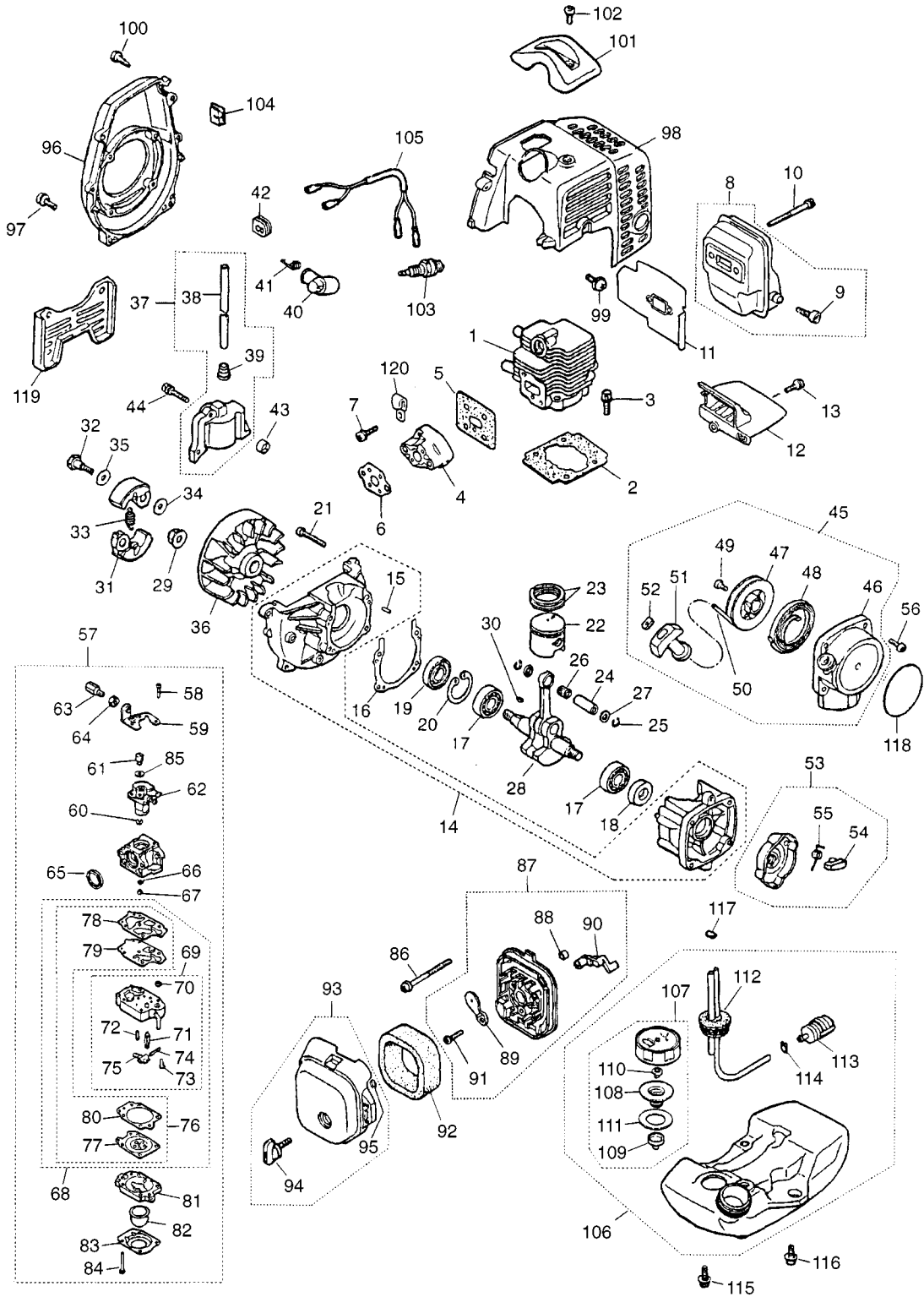


Fig.2 ENGINE GROUP BC2601DL

Key#	Description	Part Number	Q'ty	Key#	Description	Part Number	Q'ty
1	CYLINDER	5911-12110	1	61	• SWIVEL	1881-81140	1
2	GASKET, base	5500-12212	1	62	• VALVE ASS'Y	_____	1
3	BOLT	1850-12130	2	63	• SCREW, adjuster	1918-81170	1
4	INSULATOR	1920-13162	1	64	• NUT, adjuster	1751-81180	1
5	GASKET, insulator	5500-13121	1	65	• RING	1881-81130	1
6	GASKET, carburetor	5500-13131	1	66	• O-RING	1751-81240	1
7	SCREW	0263-90520	2	67	• JET	5500-81251	1
8	MUFFLER ASS'Y	5850-15100	1	68	• Rebuilt Kit	5602-06030	1
9	• ARRESTER	1601-15120	1	69	•• Body ASS'Y	1850-81450	1
10	BOLT	01252-30550	2	70	••• Screen	_____	-
11	GASKET, muffler	5910-15211	1	71	••• Valve	_____	-
12	PLATE, muffler	5500-15220	1	72	••• Spring	_____	-
13	SCREW	0263-90416	1	73	••• Screw	_____	-
14	CRANKCASE COMP.	5500-21100	1	74	••• Pin	_____	-
15	• PIN	2629-21130	3	75	••• Lever	_____	-
16	GASKET, case	5500-21141	1	76	•• Gasket kit	5602-06020	1
17	BEARING	06030-06001	2	77	••• Washer	_____	-
18	OIL SEAL	2169-21210	1	78	••• Gasket, pump	_____	-
19	OIL SEAL	1850-21220	1	79	••• Diaphragm, pump	_____	-
20	SNAP RING	04065-02812	1	80	••• Gasket, diaphragm	_____	-
21	SCREW	01252-30530	4	81	• BODY, purge	1850-81490	1
22	PISTON	5910-41110	1	82	• PUMP, priming	1751-81510	1
23	RING	5910-41210	2	83	• COVER, pump	1850-81520	1
24	PIN	1600-41310	1	84	• SCREW	1850-81530	4
25	SNAP RING	1260-41320	2	85	• WASHER	5500-81160	1
26	BEARING	1140-41330	1	86	SCREW	0263-30555	2
27	WASHER	1101-41340	2	87	BODY ASS'Y	5500-82102	1
28	CRANKSHAFT COMP.	5500-42001	1	88	• SLEEVE	1970-82190	2
29	NUT	1650-43230	1	89	• PLATE, choke	5500-82131	1
30	KEY	1000-43240	1	90	• LEVER, choke	5500-82140	1
31	SHOE, clutch	1140-51111	2	91	• SCREW	2630-33610	1
32	SCREW	1140-51250	2	92	ELEMENT	5500-82171	1
33	SPRING	1970-51221	1	93	COVER ASS'Y	5600-82202	1
34	WASHER	1140-51230	2	94	• KNOB	5500-82221	1
35	WASHER	1970-51241	2	95	• RING	5500-82230	1
36	ROTOR	5501-71110	1	96	COVER, fan	5501-31111	1
37	COIL ASS'Y	5501-71201	1	97	SCREW	0263-90520	4
38	• CORD	5500-71220	1	98	COVER, engine	5580-32112	1
39	• CAP	2616-71320	1	99	SCREW	1850-32160	1
40	CAP, plug	1900-72111	1	100	SCREW	1900-31410	2
41	SPRING	1900-72120	1	101	GUARD, plug	5500-32210	1
42	GROMMET	5500-72130	1	102	SCREW	0263-90514	1
43	SPACER	1260-71261	2	103	SPARKPLUG	5602-73110	1
44	BOLT	3310-72150	2	104	GROMMET	1852-72121	1
45	RECOIL ASS'Y	5500-75100	1	105	CORD COMP.	5500-73201	1
46	• CASE COMP.	5500-75110	1	106	TANK ASS'Y	5911-85002	1
47	• REEL	1850-75120	1	107	• CAP ASS'Y	5601-85200	1
48	• SPRING, spiral	1850-75130	1	108	•• HOLDER	5601-85230	1
49	• SCREW	1850-75151	1	109	•• CAP, holder	5600-85240	1
50	• ROPE	1850-75160	1	110	•• VALVE	5600-85250	1
51	• KNOB	1140-75320	1	111	•• PACKING	5500-85220	1
52	• PLATE, stopper	5500-75170	1	112	• PIPE COMP.	5911-85300	1
53	PULLEY ASS'Y	1850-75201	1	113	• FILTER ASS'Y	5500-85400	1
54	• RATCHET	1850-75221	1	114	• CLIP	1260-85460	1
55	• SPRING	1850-75230	1	115	SCREW	5500-85510	2
56	SCREW	0263-90416	4	116	SCREW	5910-85510	1
57	CARBURETOR ASS'Y	5911-81000	1	117	CLIP	1950-86120	1
58	• SCREW	1752-81110	2	118	LABEL	T1077-91120	1
59	• BRACKET	5500-81120	1	119	STAND	1897-31911	1
60	• RING	1751-81130	1	120	CLAMP	1140-72231	1