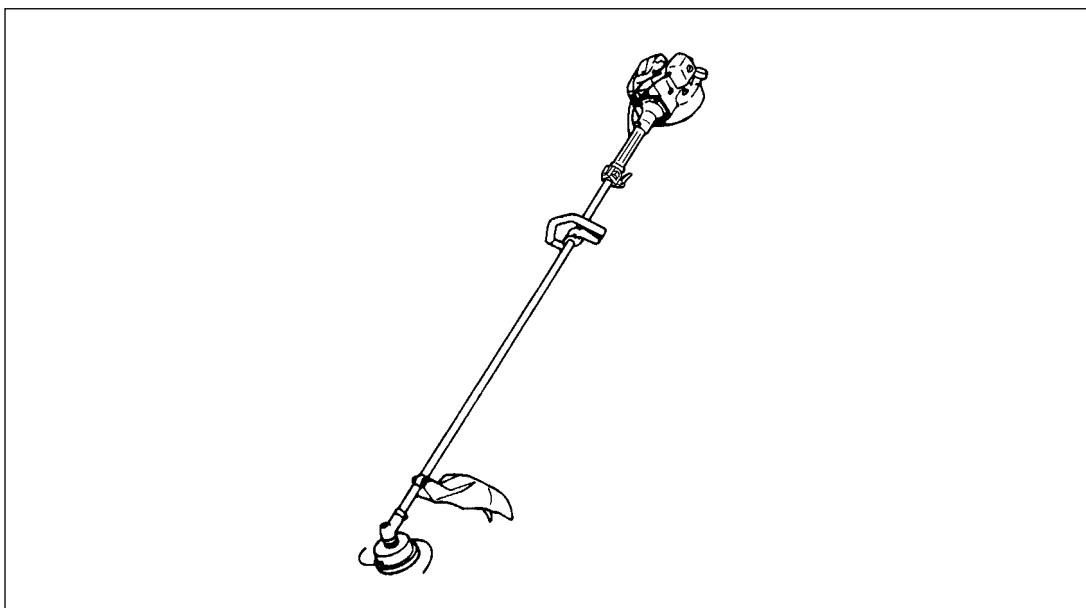




ILLUSTRATED PARTS LIST

BRUSHCUTTERS

BC225DL



WARNING



The engine exhaust from this product contains chemicals known to the State of California to cause cancer, birth defects or other reproductive harm.



WARNING



Before using our products, please read this manual carefully to understand the proper use of your unit.

APPLICABLE SERIAL NUMBERS :

DRIVE UNIT 000101 and up

ENGINE UNIT 000101 and up

13. Parts list

BRUSHCUTTERS

BC225DL

NOTE :

1. Use KOMATSU ZENOAH genuine parts as specified in the parts list for repair and/or replacement.
2. KOMATSU ZENOAH does not warrant the machines, which have been damaged by the use of any parts other than those specified by the company.
3. When placing parts orders for repair and/or replacement, check if the model name and the serial number are applicable to those specified in the parts list, then use parts number described in the parts list.
4. The contents described in the parts list may change due to improvement.
5. The parts for the machine shall be supplied seven (7) years after the machine is discontinued. [It is possible that some specific parts may be subject to change of their delivery term and list price within the limit of ten (7) years after the machine is discontinued. It is also possible that some parts may be available even after the limit of seven (7) years.]

APPLICABLE SERIAL NUMBERS :

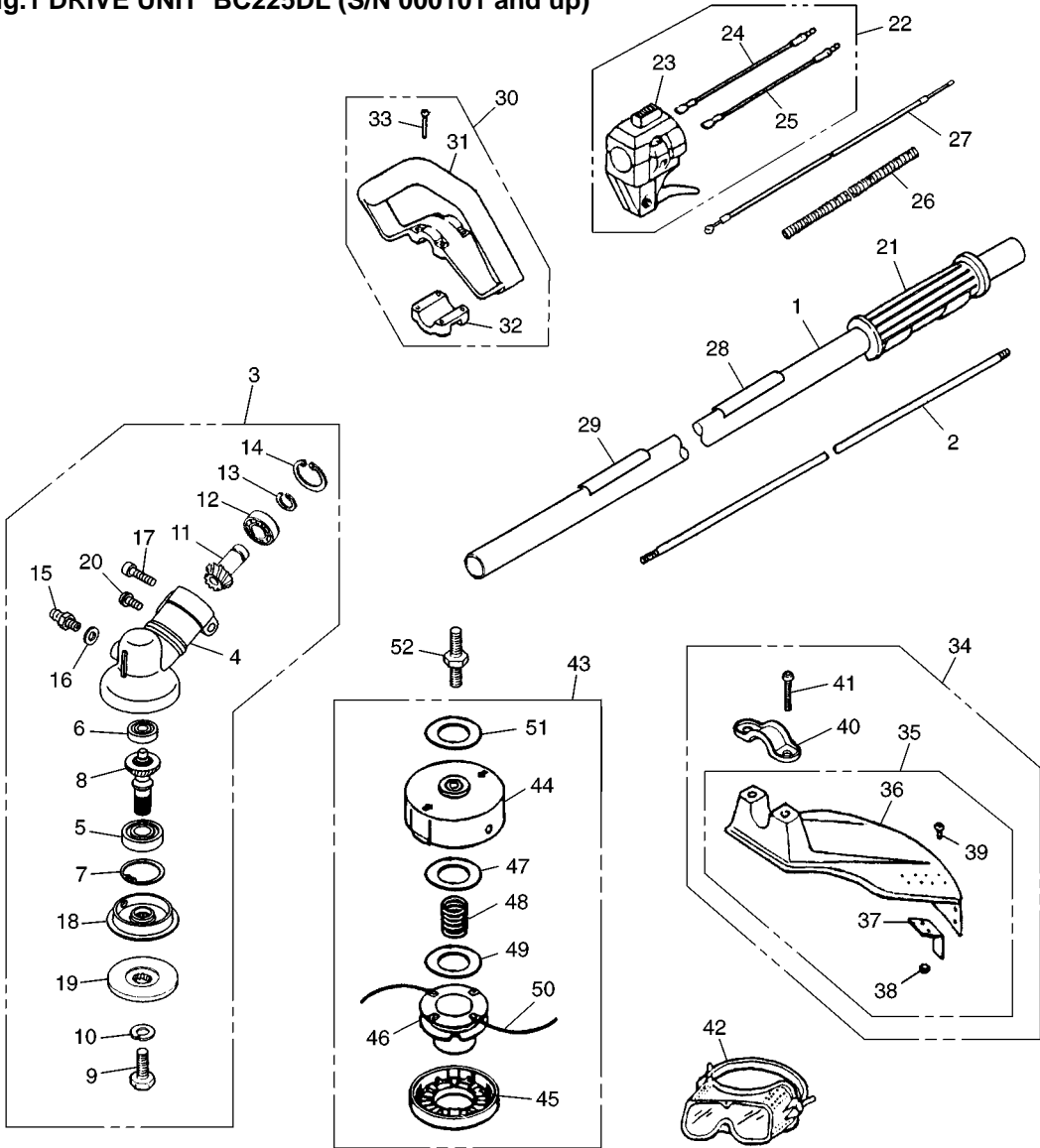
Dec. 2000

DRIVE UNIT 000101 and up

ENGINE UNIT 000101 and up

13. Parts list

Fig.1 DRIVE UNIT BC225DL (S/N 000101 and up)



Optional Blade & Accessories

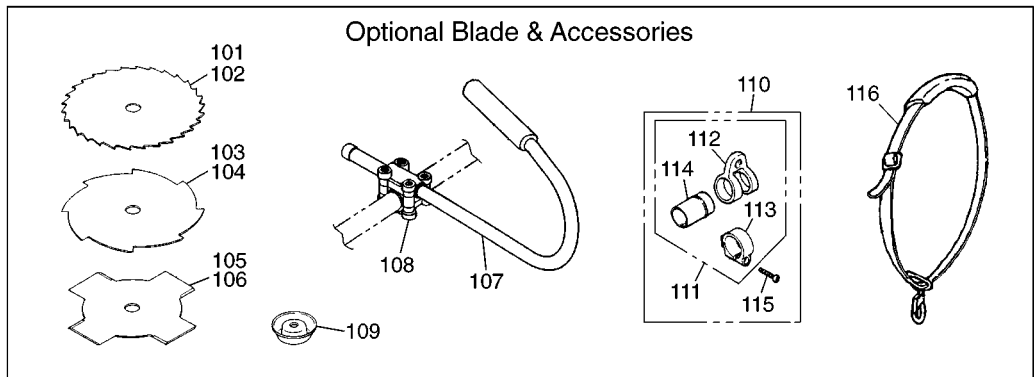


Fig.1 DRIVE UNIT BC225DL (S/N 000101 and up)

Key#	Description	Part Number	Q'ty	Key#	Description	Part Number	Q'ty
1	PIPE COMP	T3108-12100	1	51	• SPACER	6460-15210	1
2	SHAFT	6784-12210	1	52	SHAFT	6041-99240	1
3	GEARCASE-ASS'Y	T3108-13000	1				
4	• GEARCASE	T3300-13120	1				
5	• BEARING	T3300-13510	1				
6	• BEARING	T3300-13520	1				
7	• RING	04065-02612	1				
8	• SHAFT COMP	T3300-13200	1				
9	• BOLT	3560-13261	1				
10	• WASHER	3560-13290	1				
11	• PINION	T3300-13310	1				
12	• BEARING	T3300-13530	1				
13	• RING	T3300-13330	1				
14	• SNAP RING	04065-02412	1				
15	• FITTING	3199-13350	1				
16	• WASHER	01641-20608	1				
17	• BOLT	01252-30520	1				
18	• HOLDER(A)	T3300-13240	1				
19	• HOLDER(B)	6019-13250	1				
20	• BOLT	01252-30510	1				
21	GRIP	3577-32141	1				
22	LEVER COMP	T3002-12200	1				
23	• LEVER	6110-14410	1				
24	• CORD(A)	T3002-12220	1				
25	• CORD(B)	T3002-12230	1				
26	TUBE	T3003-14510	1				
27	CABLE COMP	1855-82100	1				
28	PLATE NAME	T3108-12510	1				
29	PLATE	6425-12552	1				
30	HANDLE ASSY	6420-14100	1				
31	• HANDLE	6420-14311	1				
32	• CLAMP	6420-14320	1				
33	• SCREW M5x35	0263-90535	4				
34	GUARD ASSY	6357-24001	1				
35	• GUARD COMP	6357-24101	1				
36	•• GUARD	6041-24113	1				
37	•• BLADE	6041-24140	1				
38	•• NUT	3320-15310	2				
39	•• SCREW	0263-30512	2				
40	• CLAMP	3520-24120	1				
41	• BOLT	3540-24130	2				
42	GOGGLE	T3002-91190	1				
43	TAP. HEAD COMP	PT104	1				
44	• CASE COMP	6460-15113	1				
45	• COVER	6460-15131	1				
46	• CORD HOLDER	6460-15142	1				
47	• PLATE	3268-15150	1				
48	• SPRING	6041-99162	1				
49	• PLATE	3268-15170	1				
50	• CORD	6460-15180	1				
				OPTIONAL BLADE & ACCESSORIES			
				101	9" 22-tooth	SST229	1
				102	9" 24-tooth	SST249	1
				103	8" 8-tooth	SGB088	1
				104	9" 8-tooth	SGB089	1
				105	8" 4-tooth	SGB048	1
				106	9" 4-tooth	SGB049	1
				107	J-HANDLE	6367-14200	1
				108	BRACKET	3583-14101	1
				109	COVER	6420-13280	1
				110	HANGER-ASSY	6420-17300	1
				111	• HANGER-COMP	6420-17400	1
				112	•• HANGER	9366-17110	1
				113	•• CLAMP	9366-17120	1
				114	•• SLEEVE	6420-17410	1
				115	• SCREW	0263-90525	1
				116	STRAP-ASSY	T3002-17200	1

13. Parts list

Fig.2 ENGINE UNIT BC225DL (S/N 000101 and up)

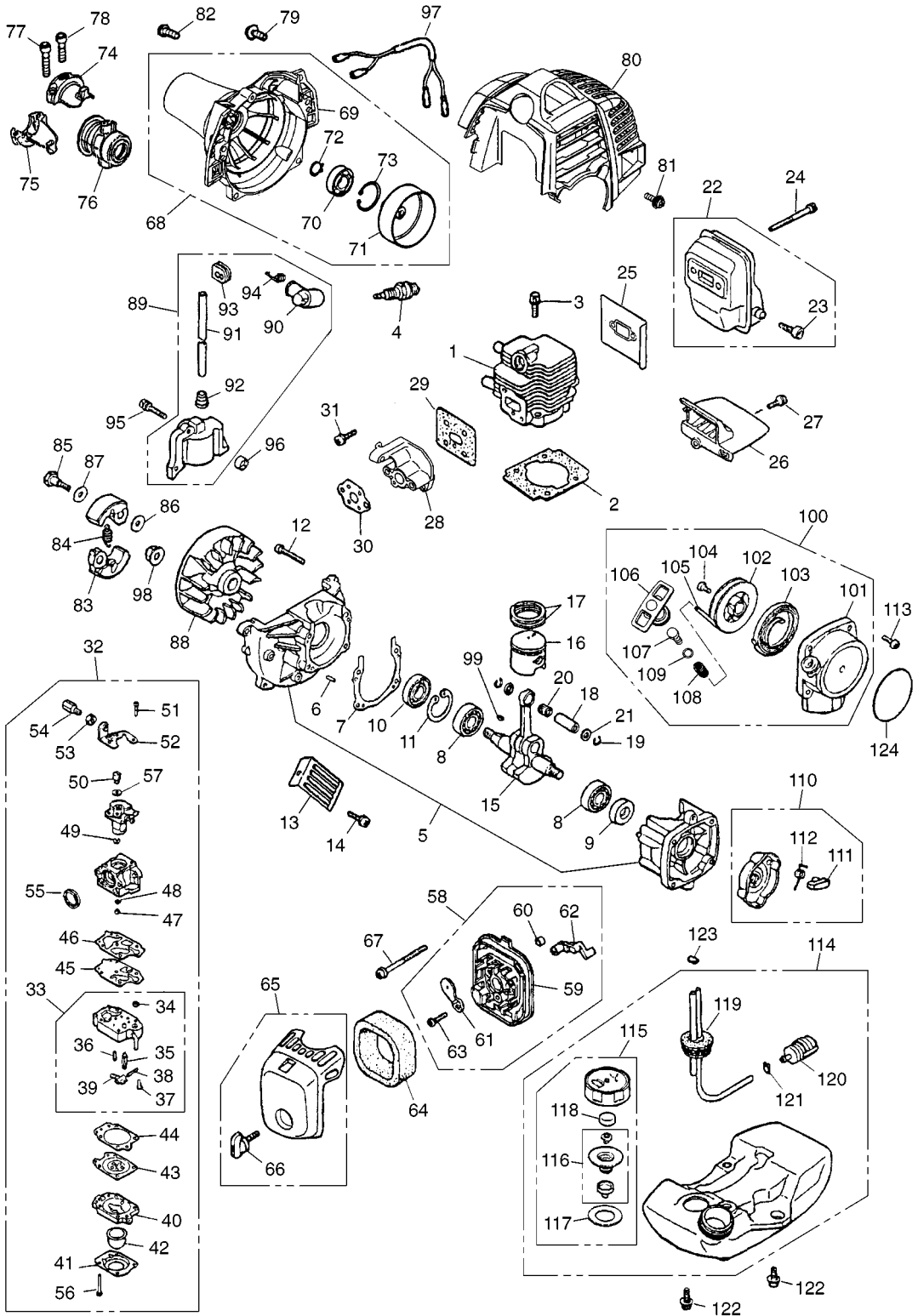


Fig.2 ENGINE UNIT BC225DL (S/N 000101 and up)

Key#	Description	Part Number	Q'ty	Key#	Description	Part Number	Q'ty
1	CYLINDER	5580-12110	1	64	ELEMENT	5500-82171	1
2	GASKET, base	5500-12213	1	65	COVER ASS'Y	T1701-82200	1
3	BOLT	1850-12130	2	66	• KNOB	5500-82221	1
4	PLUG RCJ-6Y	5602-73110	1	67	SCREW	0263-90560	2
5	CRANKCASE-C	5500-21100	1	68	HOUSING-ASS'Y	T1702-31100	1
6	• PIN	2629-21130	3	69	• HOUSING	T1701-31110	1
7	GASKET	5500-21141	1	70	• BEARING	06002-06001	1
8	BEARING	06030-06001	2	71	• DRUM	4810-31120	1
9	SEAL	2169-21210	1	72	• RING	04064-01210	1
10	SEAL	1850-21220	1	73	• RING	04065-02812	1
11	SNAP RING	04065-02812	1	74	BRACKET (A)	T1700-31211	1
12	BOLT	01252-30530	3	75	BRACKET (B)	T1700-31221	1
13	GUARD	5500-22110	1	76	CUSHION	T1700-31231	1
14	SCREW	0263-90514	1	77	BOLT	01252-30522	2
15	CRANKSHAFT-C	5500-42001	1	78	BOLT	01252-30510	1
16	PISTON	5600-41111	1	79	SCREW	0263-90520	4
17	RING	1100-41210	2	80	COVER, engine	T1700-32110	1
18	PIN	1101-41310	1	81	SCREW	T1700-32160	1
19	RING	1260-41320	2	82	SCREW	0263-90514	1
20	BEARING	5500-41410	1	83	SHOE	1140-51111	2
21	WASHER	1101-41340	2	84	SPRING	T1700-51220	1
22	MUFFLER ASSY	T1702-15100	1	85	SCREW	1140-51250	2
23	ARRESTER	1601-15120	1	86	WASHER	1140-51230	2
24	BOLT	01252-30550	2	87	WASHER	1970-51241	2
25	GASKET	T1600-15210	1	88	ROTOR	T1700-71110	1
26	PLATE	5500-15221	1	89	COIL-A	T1700-71200	1
27	SCREW	0263-90416	1	90	• CAP	5500-72110	1
28	INSULATOR	T1700-13160	1	91	• CORD	T1700-71220	1
29	GASKET, insulator	5500-13121	1	92	• CAP	2616-71320	1
30	GASKET, carburetor	5500-13131	1	93	• GROMMET	5500-72130	1
31	SCREW	0263-90520	2	94	• SPRING	5500-72120	1
32	CARBURETOR ASS'Y	5501-81000	1	95	BOLT	3310-72150	2
33	• BODY ASS'Y	1850-81450	1	96	SPACER	T1700-71260	2
34	•• SCREEN	3306-81380	1	97	CORD-C	T1700-73200	1
35	•• VALVE	3356-81310	1	98	NUT	1650-43230	1
36	•• SPRING	1850-81270	1	99	KEY	1000-43240	1
37	•• SCREW	1850-81220	1	100	RECOIL ASS'Y	T1700-75100	1
38	•• PIN	3310-81250	1	101	• CASE-C	5500-75110	1
39	•• LEVER	3310-81230	1	102	• REEL	1850-75120	1
40	• BODY, purge	1850-81490	1	103	• SPRING	1850-75130	1
41	• COVER, pump	1850-81520	1	104	• SCREW	1850-75151	1
42	• PUMP, priming	1751-81510	1	105	• ROPE	T1600-75160	1
43	• DIAPHRAGM	3310-81260	1	106	• KNOB	T1600-75310	1
44	• GASKET, diaphragm	1850-81470	1	107	• COLLAR	T1600-75320	1
45	• DIAPHRAGM, pump	1065-81420	1	108	• SPRING	T1600-75330	1
46	• GASKET, pump	1065-81410	1	109	• WASHER	T1600-75210	1
47	• JET	5500-81251	1	110	PULLEYASS'Y	1850-75201	1
48	• RING	1751-81240	1	111	• RATCHET	1850-75221	1
49	• RING	1751-81130	1	112	• SPRING	1850-75230	1
50	• SWIVEL	1881-81140	1	113	SCREW	T1700-32160	4
51	• SCREW	1752-81110	2	114	TANK ASS'Y	T1700-85000	1
52	• BRACKET	5500-81120	1	115	• CAP ASS'Y	5601-85201	1
53	• NUT, adjuster	1751-81180	1	116	•• HOLDER ASS'Y	5601-85300	1
54	• SCREW, adjuster	1918-81170	1	117	•• PACKING	5500-85220	1
55	• RING	1881-81130	1	118	•• FILTER	5601-85260	1
56	• SCREW	1850-81530	4	119	• PIPE-C	4810-85300	1
57	• WASHER	5500-81160	1	120	• FILTER ASS'Y	5500-85400	1
58	BODY-ASSY	T1700-82100	1	121	• CLIP	1260-85460	1
59	• BODY	5500-82111	1	122	SCREW	5910-85510	3
60	• SLEEVE	1970-82190	2	123	CLIP	1950-86120	1
61	• PLATE, choke	T1700-82130	1	124	LABEL, recoil	T1702-75410	1
62	• LEVER, choke	T1700-82140	1				
63	• SCREW	2630-33610	1				