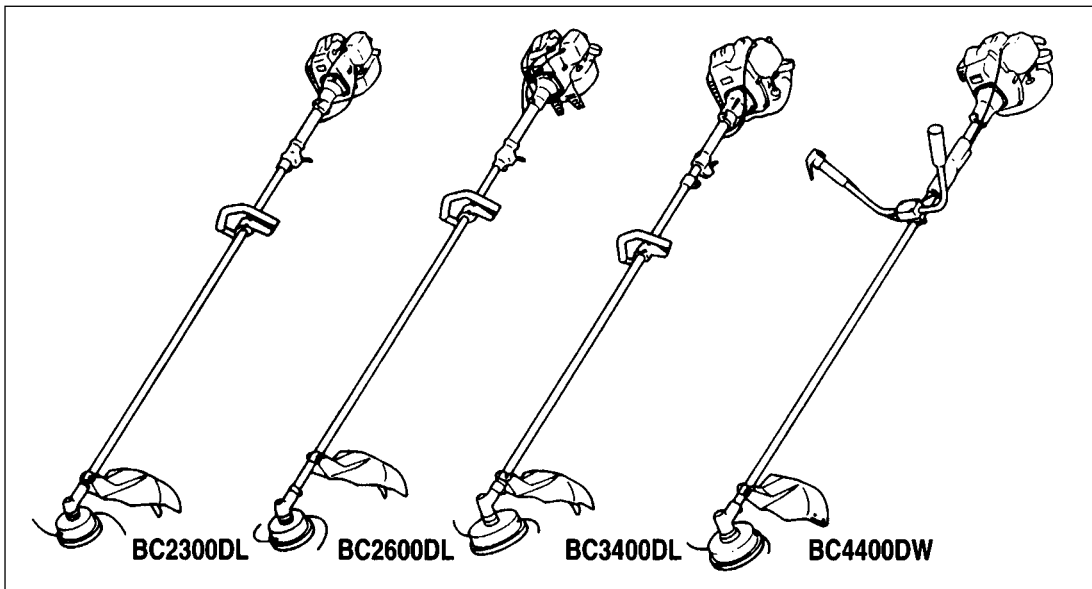




ILLUSTRATED PARTS LIST

BRUSHCUTTERS

BC2300DL
BC2600DL
BC3400DL
BC4400DW



WARNING



The engine exhaust from this product contains chemicals known to the State of California to cause cancer, birth defects or other reproductive harm.

Thank you for purchasing a RedMax product.

Before using our brushcutters, please read this manual carefully to understand the proper use of your unit.

APPLICABLE SERIAL NUMBERS :

| | | | | | | |
|----------|------------|----------|--------|-------------|--------|--------|
| BC2300DL | DRIVE UNIT | 50000000 | and up | ENGINE UNIT | 990639 | and up |
| BC2600DL | DRIVE UNIT | 50000000 | and up | ENGINE UNIT | 978729 | and up |
| BC3400DL | DRIVE UNIT | 980101 | and up | ENGINE UNIT | 980101 | and up |
| BC4400DW | DRIVE UNIT | 980101 | and up | ENGINE UNIT | 980101 | and up |

BRUSHCUTTERS

BC2300DL
BC2600DL
BC3400DL
BC4400DW

NOTE :

1. Use KOMATSU ZENOAH genuine parts as specified in the parts list for repair and/or replacement.
2. KOMATSU ZENOAH does not warrant the machines, which have been damaged by the use of any parts other than those specified by the company.
3. When placing parts orders for repair and/or replacement, check if the model name and the serial number are applicable to those specified in the parts list, then use parts number described in the parts list.
4. The contents described in the parts list may change due to improvement.
5. The parts for the machine shall be supplied seven (7) years after the machine is discontinued. [It is possible that some specific parts may be subject to change of their delivery term and list price within the limit of ten (7) years after the machine is discontinued. It is also possible that some parts may be available even after the limit of seven (7) years.]

APPLICABLE SERIAL NUMBERS :

Oct.1999

| | | |
|----------|-----------------------------|---------------------------|
| BC2300DL | DRIVE UNIT 500000000 and up | ENGINE UNIT 990639 and up |
| BC2600DL | DRIVE UNIT 500000000 and up | ENGINE UNIT 978729 and up |
| BC3400DL | DRIVE UNIT 980101 and up | ENGINE UNIT 980101 and up |
| BC4400DW | DRIVE UNIT 980101 and up | ENGINE UNIT 980101 and up |

Parts List

Fig.1 DRIVE UNIT BC2300DL & BC2600DL

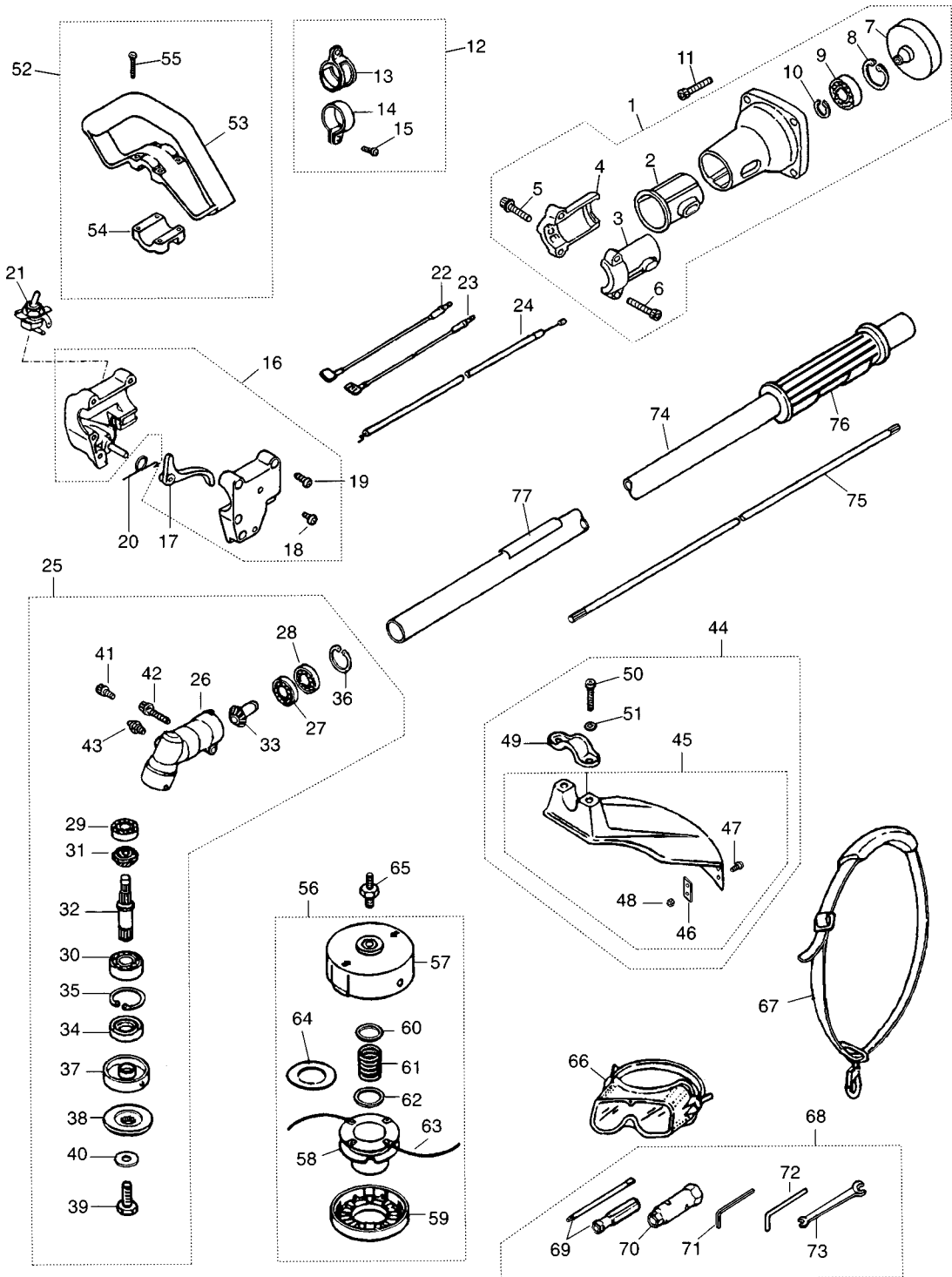


Fig.1 DRIVE UNIT BC2300DL & BC2600DL

| Key# | Description | Part Number | Q'ty | Key# | Description | Part Number | Q'ty |
|------|------------------|-------------|------|------|--------------|-------------|------|
| 1 | HOUSING, ASS'Y | 6460-11002 | 1 | 61 | SPRING | 6041-99161 | 1 |
| 2 | CUSHION | 6470-31230 | 1 | 62 | PLATE, small | 3268-15170 | 1 |
| 3 | BRACKET (A) | 6460-31210 | 1 | 63 | CORD | 6460-15180 | 1 |
| 4 | BRACKET (B) | 6460-31220 | 1 | 64 | SPACER | 6460-15210 | 1 |
| 5 | BOLT | 01252-30514 | 1 | 65 | SHAFT | PTA008 | 1 |
| 6 | BOLT | 01252-30530 | 2 | 66 | GOGGLE | 180773 | 1 |
| 7 | DRUM, clutch | 6460-12111 | 1 | 67 | STRAP ASS'Y | 160197 | 1 |
| 8 | SNAP, ring | 04065-02812 | 1 | 68 | TOOL KIT | 3550-91000 | 1 |
| 9 | BEARING | 06004-06001 | 1 | 69 | SCREWDRIVER | 1030-91340 | 1 |
| 10 | SNAP, ring | 04064-01210 | 1 | 70 | SOCKET | 3239-91310 | 1 |
| 11 | BOLT | 6468-91150 | 4 | 71 | WRENCH | 09007-00425 | 1 |
| 12 | HANGER COMP. | 6460-17100 | 1 | 72 | BAR | 3540-91110 | 1 |
| 13 | HANGER | 9366-17110 | 1 | 73 | SPANNER | 3540-91120 | 1 |
| 14 | CLAMP | 6460-17120 | 1 | 74 | PIPE COMP. | 180771BC | 1 |
| 15 | SCREW | 0263-90525 | 1 | 75 | SHAFT | 3520-12212 | 1 |
| 16 | LEVER ASS'Y | 181124 | 1 | 76 | GRIP | 180770 | 1 |
| 17 | THROTTLE LEVER | 181689 | 1 | 77 | DECAL | 181127 | 1 |
| 18 | SCREW | 145569 | 1 | | | | |
| 19 | SCREW | 180974 | 4 | | | | |
| 20 | SPRING | 610314 | 1 | | | | |
| 21 | STOP SWITCH | 180252 | 1 | | | | |
| 22 | CORD, red | 180768 | 1 | | | | |
| 23 | CORD, black | 180769 | 1 | | | | |
| 24 | CABLE COMP. | 6502-82100 | 1 | | | | |
| 25 | GEARCASE ASS'Y | 6460-13000 | 1 | | | | |
| 26 | GEARCASE | 6460-13110 | 1 | | | | |
| 27 | BEARING | 6460-13410 | 1 | | | | |
| 28 | BEARING | 6460-13420 | 1 | | | | |
| 29 | BEARING | 6460-13430 | 1 | | | | |
| 30 | BEARING | 06001-06001 | 1 | | | | |
| 31 | GEAR | 6460-13220 | 1 | | | | |
| 32 | SHAFT | 6460-13210 | 1 | | | | |
| 33 | PINION | 6460-13310 | 1 | | | | |
| 34 | OIL SEAL | 6460-13140 | 1 | | | | |
| 35 | SNAP RING | 6460-13340 | 1 | | | | |
| 36 | SNAP RING | 6460-13350 | 1 | | | | |
| 37 | HOLDER(A) | 6460-13240 | 1 | | | | |
| 38 | HOLDER(B) | 6460-13250 | 1 | | | | |
| 39 | BOLT | 6460-13290 | 1 | | | | |
| 40 | WASHER | 6460-13370 | 1 | | | | |
| 41 | BOLT | 01252-50512 | 1 | | | | |
| 42 | BOLT | 01252-50525 | 1 | | | | |
| 43 | FITTING, grease | 6460-13360 | 1 | | | | |
| 44 | GUARD ASS'Y | 6460-24000 | 1 | | | | |
| 45 | GUARD COMP. | 6460-24100 | 1 | | | | |
| 46 | BLADE | 6041-24140 | 1 | | | | |
| 47 | SCREW | 0263-30512 | 2 | | | | |
| 48 | NUT | 3320-15310 | 2 | | | | |
| 49 | CLAMP | 3541-24121 | 1 | | | | |
| 50 | BOLT | 3540-24130 | 2 | | | | |
| 51 | WASHER | 0290-20615 | 2 | | | | |
| 52 | HANDLE ASS'Y | 6462-14100 | 1 | | | | |
| 53 | HANDLE | 6462-14310 | 1 | | | | |
| 54 | CLANP | 6462-14320 | 1 | | | | |
| 55 | SCREW | 0263-90535 | 4 | | | | |
| 56 | COM. TAP HEAD 4" | PT104 | 1 | | | | |
| 57 | CASE | 6460-15112 | 1 | | | | |
| 58 | CORD HOLDER | 6460-15141 | 1 | | | | |
| 59 | COVER | 6460-15131 | 1 | | | | |
| 60 | PLATE, large | 3268-15150 | 1 | | | | |

Parts List

Fig.2 ENGINE UNIT BC2300DL

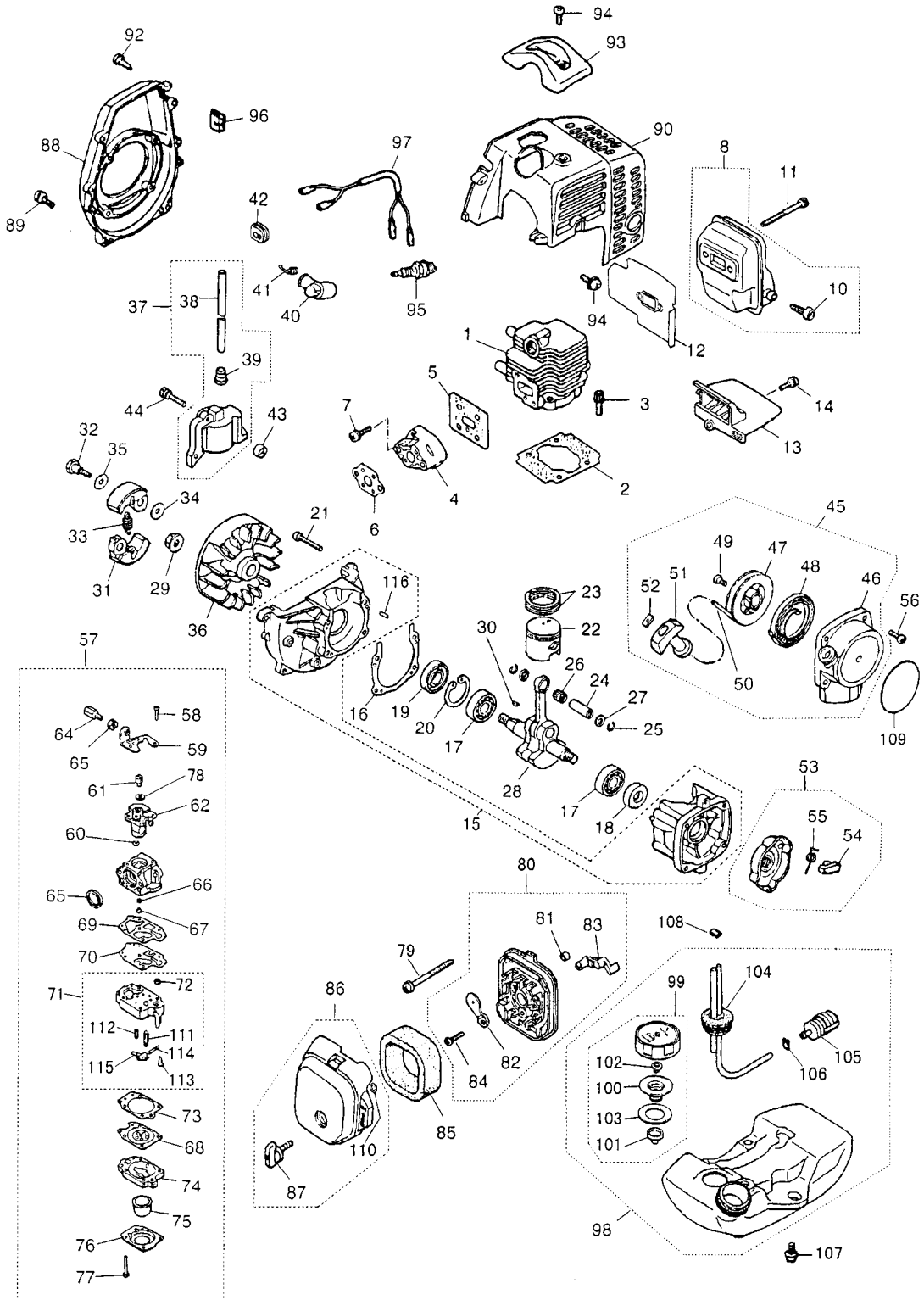


Fig.2 ENGINE UNIT BC2300DL

| Key# | Description | Part Number | Q'ty | Key# | Description | Part Number | Q'ty |
|------|-------------------|-------------|------|------|------------------|-------------|------|
| 1 | CYLINDER | 5580-12110 | 1 | 61 | SWIVEL | 1881-81140 | 1 |
| 2 | GASKET,base | 5500-12212 | 1 | 62 | VALVE ASS'Y | _____ | 1 |
| 3 | BOLT | 1850-12130 | 2 | 63 | SCREW,adjuster | 1918-81170 | 1 |
| 4 | INSULATOR | 5500-13162 | 1 | 64 | NUT,adjuster | 1751-81180 | 1 |
| 5 | GASKET,insulator | 5500-13121 | 1 | 65 | RING | 1881-81130 | 1 |
| 6 | GASKET,carburetor | 5500-13131 | 1 | 66 | O-RING | 1751-81240 | 1 |
| 7 | SCREW | 0263-90520 | 2 | 67 | JET | 5500-81251 | 1 |
| 8 | MUFFLER ASS'Y | 5850-15100 | 1 | 68 | DIAPHRAGM | 3310-81260 | 1 |
| 9 | _____ | _____ | — | 69 | GASKET,pump | 1065-81410 | 1 |
| 10 | ARRESTER | 1601-15120 | 1 | 70 | DIAPHRAGM,pump | 1065-81420 | 1 |
| 11 | BOLT | 01252-30550 | 2 | 71 | BODY ASS'Y | 1850-81450 | 1 |
| 12 | GASKET,muffler | 5910-15211 | 1 | 72 | SCREEN | 3306-81380 | 1 |
| 13 | PLATE,muffler | 5500-15220 | 1 | 73 | GASKET,diaphragm | 1850-81470 | 1 |
| 14 | SCREW | 0263-90416 | 1 | 74 | BODY,purge | 1850-81490 | 1 |
| 15 | CRANKCASE COMP. | 5500-21100 | 1 | 75 | PUMP,priming | 1751-81510 | 1 |
| 16 | GASKET,case | 5500-21141 | 1 | 76 | COVER,pump | 1850-81520 | 1 |
| 17 | BEARING | 06030-06001 | 2 | 77 | SCREW | 1850-81530 | 4 |
| 18 | OIL SEAL | 2169-21210 | 1 | 78 | WASHER | 5500-81160 | 1 |
| 19 | OIL SEAL | 1850-21220 | 1 | 79 | SCREW | 0263-90560 | 2 |
| 20 | SNAP RING | 04065-02812 | 1 | 80 | BODY ASS'Y | 5500-82102 | 1 |
| 21 | SCREW | 01252-30530 | 4 | 81 | SLEEVE | 1970-82190 | 2 |
| 22 | PISTON | 5600-41111 | 1 | 82 | PLATE,choke | 5500-82131 | 1 |
| 23 | RING | 1100-41210 | 2 | 83 | LEVER,choke | 5500-82140 | 1 |
| 24 | PIN | 1101-41310 | 1 | 84 | SCREW | 2630-33610 | 1 |
| 25 | SNAP RING | 1260-41320 | 2 | 85 | ELEMENT | 5500-82171 | 1 |
| 26 | BEARING | 1140-41330 | 1 | 86 | COVER ASS'Y | 5600-82202 | 1 |
| 27 | WASHER | 1101-41340 | 2 | 87 | KNOB | 5500-82221 | 1 |
| 28 | CRANKSHAFT COMP. | 5500-42001 | 1 | 88 | COVER,fan | 5501-31111 | 1 |
| 29 | NUT | 1650-43230 | 1 | 89 | SCREW | 0263-90520 | 4 |
| 30 | KEY | 1000-43240 | 1 | 90 | COVER,engine | 5580-32112 | 1 |
| 31 | SHOE,clutch | 1140-51111 | 2 | 91 | SCREW | 1850-32160 | 1 |
| 32 | SCREW | 1140-51250 | 2 | 92 | SCREW | 1900-31410 | 2 |
| 33 | SPRING | 1970-51221 | 1 | 93 | GUARD,plug | 5500-32210 | 1 |
| 34 | WASHER | 1140-51230 | 2 | 94 | SCREW | 0263-90514 | 1 |
| 35 | WASHER | 1970-51241 | 2 | 95 | SPARKPLUG | 5602-73110 | 1 |
| 36 | ROTOR | 5501-71110 | 1 | 96 | GROMMET | 1852-72121 | 1 |
| 37 | COIL ASS'Y | 5501-71201 | 1 | 97 | CORD COMP. | 5501-73201 | 1 |
| 38 | CORD | 5500-71220 | 1 | 98 | TANK ASS'Y | 5500-85004 | 1 |
| 39 | CAP | 2616-71320 | 1 | 99 | CAP ASS'Y | 5601-85200 | 1 |
| 40 | CAP | 1900-72111 | 1 | 100 | HOLDER | 5601-85230 | 1 |
| 41 | SPRING | 1900-72120 | 1 | 101 | CAP,holder | 5600-85240 | 1 |
| 42 | GROMMET | 5500-72130 | 1 | 102 | VALVE | 5600-85250 | 1 |
| 43 | SPACER | 1260-71261 | 2 | 103 | PACKING | 5500-85220 | 1 |
| 44 | BOLT | 3310-72150 | 2 | 104 | PIPE COMP. | 5500-85300 | 1 |
| 45 | RECOIL ASS'Y | 5500-75100 | 1 | 105 | FILTER ASS'Y | 5500-85400 | 1 |
| 46 | CASE COMP. | 5500-75110 | 1 | 106 | CLIP | 1260-85460 | 1 |
| 47 | REEL | 1850-75120 | 1 | 107 | SCREW | 5500-85510 | 3 |
| 48 | SPRING,spiral | 1850-75130 | 1 | 108 | CLIP | 1950-86120 | 1 |
| 49 | SCREW | 1850-75151 | 1 | 109 | LABEL | 5501-91122 | 1 |
| 50 | ROPE | 1850-75160 | 1 | 110 | RING | 5500-82230 | 1 |
| 51 | KNOB | 1140-75320 | 1 | 111 | VALVE | 3356-81310 | 1 |
| 52 | PLATE,stopper | 5500-75170 | 1 | 112 | SPRING | 1850-81270 | 1 |
| 53 | PULLEY ASS'Y | 1850-75201 | 1 | 113 | SCREW | 1850-81220 | 1 |
| 54 | RATCHET | 1850-75221 | 1 | 114 | PIN | 3310-81250 | 1 |
| 55 | SPRING | 1850-75230 | 1 | 115 | LEVER | 3310-81230 | 1 |
| 56 | SCREW | 0263-90416 | 4 | 116 | PIN | 2629-21130 | 3 |
| 57 | CARBURETOR ASS'Y | 5501-81000 | 1 | | | | |
| 58 | SCREW | 1752-81110 | 2 | | | | |
| 59 | BRACKET | 5500-81120 | 1 | | | | |
| 60 | RING | 1751-81130 | 1 | | | | |

Parts List

Fig.3 ENGINE UNIT BC2600DL

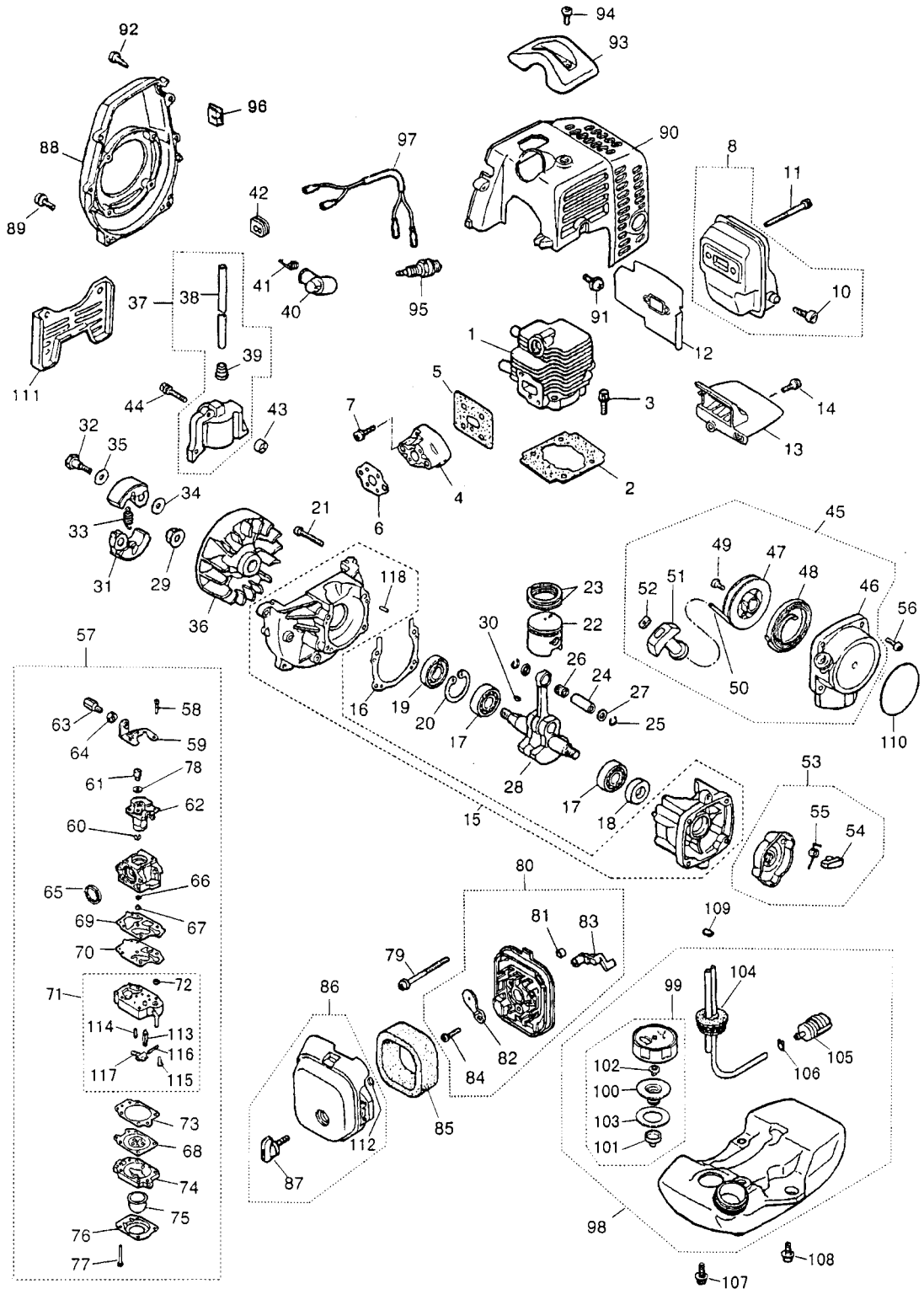


Fig.3 ENGINE UNIT BC2600DL

| Key# | Description | Part Number | Q'ty | Key# | Description | Part Number | Q'ty |
|------|-------------------|-------------|------|------|------------------|-------------|------|
| 1 | CYLINDER | 5911-12110 | 1 | 61 | SWIVEL | 1881-81140 | 1 |
| 2 | GASKET,base | 5500-12212 | 1 | 62 | VALVE ASS'Y | _____ | 1 |
| 3 | BOLT | 1850-12130 | 2 | 63 | SCREW,adjuster | 1918-81170 | 1 |
| 4 | INSULATOR | 1920-13162 | 1 | 64 | NUT,adjuster | 1751-81180 | 1 |
| 5 | GASKET,insulator | 5500-13121 | 1 | 65 | RING | 1881-81130 | 1 |
| 6 | GASKET,carburetor | 5500-13131 | 1 | 66 | O-RING | 1751-81240 | 1 |
| 7 | SCREW | 0263-90520 | 2 | 67 | JET | 5500-81251 | 1 |
| 8 | MUFFLER ASS'Y | 5850-15100 | 1 | 68 | DIAPHRAGM | 3310-81260 | 1 |
| 9 | _____ | _____ | — | 69 | GASKET,pump | 1065-81410 | 1 |
| 10 | ARRESTER | 1601-15120 | 1 | 70 | DIAPHRAGM,pump | 1065-81420 | 1 |
| 11 | BOLT | 01252-30550 | 2 | 71 | BODY ASS'Y | 1850-81450 | 1 |
| 12 | GASKET,muffler | 5910-15211 | 1 | 72 | SCREEN | 3306-81380 | 1 |
| 13 | PLATE,muffler | 5500-15220 | 1 | 73 | GASKET,diaphragm | 1850-81470 | 1 |
| 14 | SCREW | 0263-90416 | 1 | 74 | BODY,purge | 1850-81490 | 1 |
| 15 | CRANKCASE COMP. | 5500-21100 | 1 | 75 | PUMP,priming | 1751-81510 | 1 |
| 16 | GASKET,case | 5500-21141 | 1 | 76 | COVER,pump | 1850-81520 | 1 |
| 17 | BEARING | 06030-06001 | 2 | 77 | SCREW | 1850-81530 | 4 |
| 18 | OIL SEAL | 2169-21210 | 1 | 78 | WASHER | 5500-81160 | 1 |
| 19 | OIL SEAL | 1850-21220 | 1 | 79 | SCREW | 0263-30555 | 2 |
| 20 | SNAP RING | 04065-02812 | 1 | 80 | BODY ASS'Y | 5500-82102 | 1 |
| 21 | SCREW | 01252-30530 | 4 | 81 | SLEEVE | 1970-82190 | 2 |
| 22 | PISTON | 5910-41110 | 1 | 82 | PLATE,choke | 5500-82131 | 1 |
| 23 | RING | 5910-41210 | 2 | 83 | LEVER,choke | 5500-82140 | 1 |
| 24 | PIN | 1600-41310 | 1 | 84 | SCREW | 2630-33610 | 1 |
| 25 | SNAP RING | 1260-41320 | 2 | 85 | ELEMENT | 5500-82171 | 1 |
| 26 | BEARING | 1140-41330 | 1 | 86 | COVER ASS'Y | 5600-82202 | 1 |
| 27 | WASHER | 1101-41340 | 2 | 87 | KNOB | 5500-82221 | 1 |
| 28 | CRANKSHAFT COMP. | 5500-42001 | 1 | 88 | COVER,fan | 5501-31111 | 1 |
| 29 | NUT | 1650-43230 | 1 | 89 | SCREW | 0263-90520 | 4 |
| 30 | KEY | 1000-43240 | 1 | 90 | COVER,engine | 5580-32112 | 1 |
| 31 | SHOE,clutch | 1140-51111 | 2 | 91 | SCREW | 1850-32160 | 1 |
| 32 | SCREW | 1140-51250 | 2 | 92 | SCREW | 1900-31410 | 2 |
| 33 | SPRING | 1970-51221 | 1 | 93 | GUARD,plug | 5500-32210 | 1 |
| 34 | WASHER | 1140-51230 | 2 | 94 | SCREW | 0263-90514 | 1 |
| 35 | WASHER | 1970-51241 | 2 | 95 | SPARKPLUG | 5602-73110 | 1 |
| 36 | ROTOR | 5501-71110 | 1 | 96 | GROMMET | 1852-72121 | 1 |
| 37 | COIL ASS'Y | 5501-71201 | 1 | 97 | CORD COMP. | 5501-73201 | 1 |
| 38 | CORD | 5500-71220 | 1 | 98 | TANK ASS'Y | 5911-85002 | 1 |
| 39 | CAP | 2616-71320 | 1 | 99 | CAP ASS'Y | 5601-85200 | 1 |
| 40 | CAP,plug | 1900-72111 | 1 | 100 | HOLDER | 5601-85230 | 1 |
| 41 | SPRING | 1900-72120 | 1 | 101 | CAP,holder | 5600-85240 | 1 |
| 42 | GROMMET | 5500-72130 | 1 | 102 | VALVE | 5600-85250 | 1 |
| 43 | SPACER | 1260-71261 | 2 | 103 | PACKING | 5500-85220 | 1 |
| 44 | BOLT | 3310-72150 | 2 | 104 | PIPE COMP. | 5911-85300 | 1 |
| 45 | RECOIL ASS'Y | 5500-75100 | 1 | 105 | FILTER ASS'Y | 5500-85400 | 1 |
| 46 | CASE COMP. | 5500-75110 | 1 | 106 | CLIP | 1260-85460 | 1 |
| 47 | REEL | 1850-75120 | 1 | 107 | SCREW | 5500-85510 | 2 |
| 48 | SPRING,spiral | 1850-75130 | 1 | 108 | SCREW | 5910-85510 | 1 |
| 49 | SCREW | 1850-75151 | 1 | 109 | CLIP | 1950-86120 | 1 |
| 50 | ROPE | 1850-75160 | 1 | 110 | LABEL | 5911-91121 | 1 |
| 51 | KNOB | 1140-75320 | 1 | 111 | STAND | 1897-31911 | 1 |
| 52 | PLATE,stopper | 5500-75170 | 1 | 112 | RING | 5500-82230 | 1 |
| 53 | PULLEY ASS'Y | 1850-75201 | 1 | 113 | VALVE | 3356-81310 | 1 |
| 54 | RATCHET | 1850-75221 | 1 | 114 | SPRING | 1850-81270 | 1 |
| 55 | SPRING | 1850-75230 | 1 | 115 | SCREW | 1850-81220 | 1 |
| 56 | SCREW | 0263-90416 | 4 | 116 | PIN | 3310-81250 | 1 |
| 57 | CARBURETOR ASS'Y | 5911-81000 | 1 | 117 | LEVER | 3310-81230 | 1 |
| 58 | SCREW | 1752-81110 | 2 | 118 | PIN | 2629-21130 | 3 |
| 59 | BRACKET | 5500-81120 | 1 | | | | |
| 60 | RING | 1751-81130 | 1 | | | | |

Parts List

Fig.4 DRIVE UNIT BC3400DL (S/N 980101 and up)

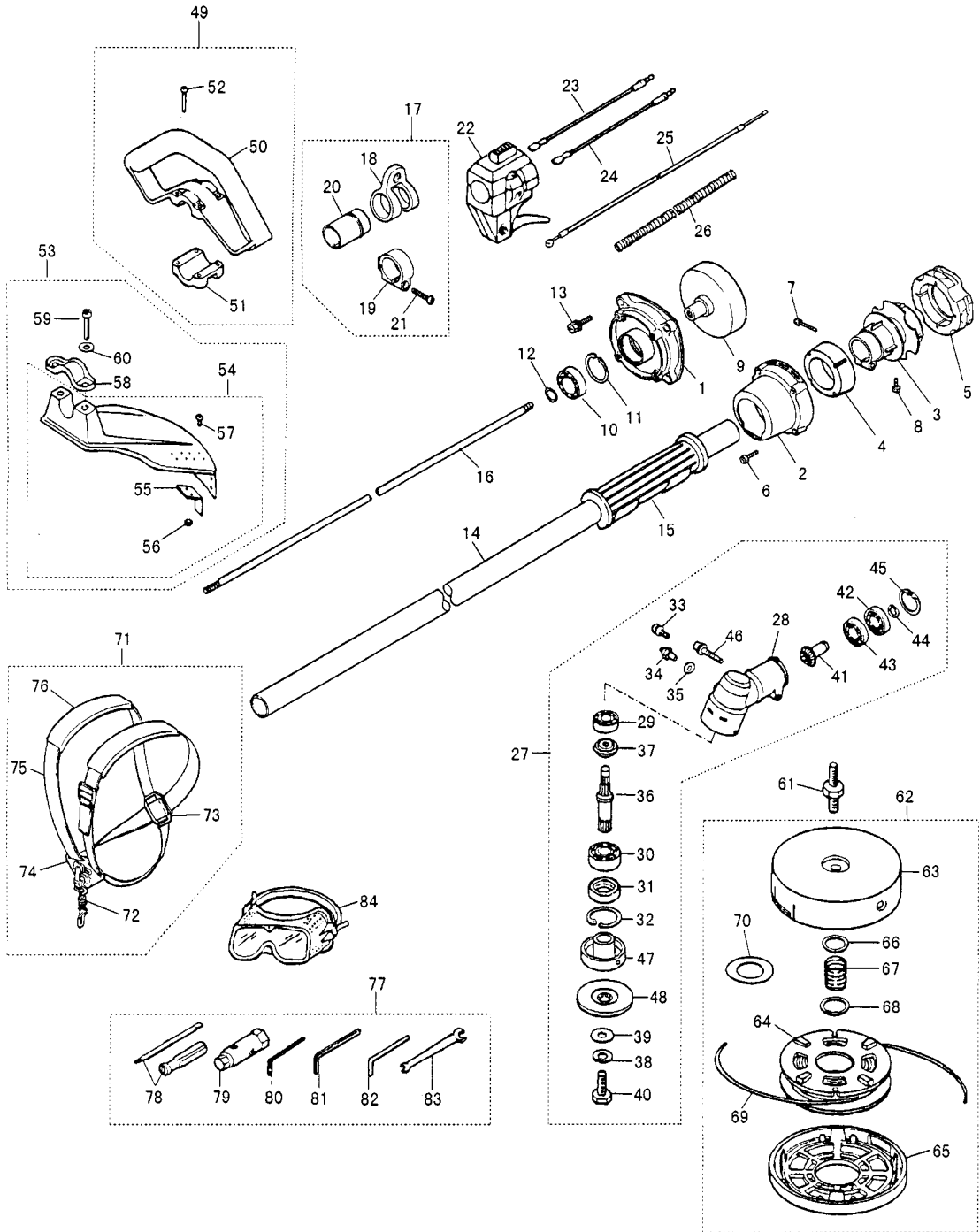


Fig.4 DRIVE UNIT BC3400DL (S/N 980101 and up)

| Key# | Description | Part Number | Q'ty | Key# | Description | Part Number | Q'ty |
|------|------------------|-------------|------|------|-----------------|---------------|------|
| 1 | HOUSING | 4050-11110 | 1 | 61 | SHAFT | 6041-99220 | 1 |
| 2 | CAP | 4050-11150 | 1 | 62 | COM.TAP.HEAD 6" | PT100 | 1 |
| 3 | JOINT | 4050-11210 | 1 | 63 | • CASE | 6041-99111 | 1 |
| 4 | ABSORBER-F | 4050-11250 | 1 | 64 | • CORD HOLDER | 6041-99140 | 1 |
| 5 | ABSORBER-R | 4050-11260 | 1 | 65 | • COVER | 6041-99130 | 1 |
| 6 | BOLT | 01252-30530 | 4 | 66 | • PLATE | 3268-15150 | 1 |
| 7 | BOLT | 01252-30630 | 1 | 67 | • SPRING | 6041-99161 | 1 |
| 8 | BOLT | 01252-30510 | 1 | 68 | • PLATE | 3268-15170 | 1 |
| 9 | DRUM,clutch | 4050-11310 | 1 | 69 | • CORD | 6041-99181 | 1 |
| 10 | BEARING | 06004-06202 | 1 | 70 | • SPACER | 6460-15210 | 1 |
| 11 | SNAPRING | 04065-03515 | 1 | 71 | HARNES ASSY | 6565-95200 | 1 |
| 12 | SNAPRING | 04064-01510 | 1 | 72 | • HOOK | 6565-17210 | 1 |
| 13 | BOLT | 6468-91150 | 4 | 73 | • PLATE | 6565-17220 | 1 |
| 14 | PIPE COMP | 4001-12100 | 1 | 74 | • HANGER COMP | 6565-95230 | 1 |
| 15 | GRIP | 3577-32140 | 1 | 75 | • BAND | 6565-17200-01 | 1 |
| 16 | DRIVE SHAFT | 4050-12210 | 1 | 76 | • PROTECTOR | 6565-17200-02 | 1 |
| 17 | HANGER ASSY | 6520-17100 | 1 | 77 | TOOL SET | 3532-91000 | 1 |
| 18 | • HANGER | 6520-17110 | 1 | 78 | SCREW DRIVER | 1030-91340 | 1 |
| 19 | • CLAMP | 6520-17120 | 1 | 79 | SOCKET | 3239-91310 | 1 |
| 20 | • SPACER | 6520-17130 | 1 | 80 | WRENCH | 09007-00425 | 1 |
| 21 | • SCREW | 0263-90525 | 1 | 81 | WRENCH | 09007-00528 | 1 |
| 22 | LEVER ASSY | 6232-12400 | 1 | 82 | BAR | 3540-91110 | 1 |
| 23 | CORD(A),black | T3003-14420 | 1 | 83 | SPANNER | 3540-91120 | 1 |
| 24 | CORD(B),red | T3003-14430 | 1 | 84 | GOGGLE | 6242-92110 | 1 |
| 25 | CABLE COMP | 1855-82100 | 1 | | | | |
| 26 | TUBE | T3003-14510 | 1 | | | | |
| 27 | GEARCASE ASSY | T3003-13000 | 1 | | | | |
| 28 | • GEARCASE | 3541-13114 | 1 | | | | |
| 29 | • BEARING | 06000-06000 | 1 | | | | |
| 30 | • BEARING | 06000-06201 | 1 | | | | |
| 31 | • SEAL | 3180-13141 | 1 | | | | |
| 32 | • SNAPRING | 04065-03212 | 1 | | | | |
| 33 | • BOLT | 01252-30510 | 1 | | | | |
| 34 | • FITTING,grease | 3199-13350 | 1 | | | | |
| 35 | • WASHER | 01641-20608 | 1 | | | | |
| 36 | • SHAFT | 4050-13210 | 1 | | | | |
| 37 | • GEAR | 3180-13220 | 1 | | | | |
| 38 | • WASHER | 3310-43210 | 1 | | | | |
| 39 | • WASHER | 01643-30823 | 1 | | | | |
| 40 | • BOLT,LH | 3579-33260 | 1 | | | | |
| 41 | • PINION | 3541-13311 | 1 | | | | |
| 42 | • BEARING | 06001-06000 | 1 | | | | |
| 43 | • BEARING | 06000-06000 | 1 | | | | |
| 44 | • SNAPRING | 3180-13330 | 1 | | | | |
| 45 | • SNAPRING | 04065-02612 | 1 | | | | |
| 46 | • BOLT | 3540-13260 | 1 | | | | |
| 47 | • HOLDER(A) | 3541-13241 | 1 | | | | |
| 48 | • HOLDER(B) | 3541-13251 | 1 | | | | |
| 49 | HANDLE ASSY | 6462-14100 | 1 | | | | |
| 50 | • HANDLE | 6462-14310 | 1 | | | | |
| 51 | • CLAMP | 6462-14320 | 1 | | | | |
| 52 | • SCREW | 0263-90535 | 4 | | | | |
| 53 | GUARD ASSY | 6358-24002 | 1 | | | | |
| 54 | • GUARD COMP | 6538-24102 | 1 | | | | |
| 55 | •• BLADE | 6041-24140 | 1 | | | | |
| 56 | •• NUT | 3320-15310 | 2 | | | | |
| 57 | •• SCREW | 0263-30512 | 2 | | | | |
| 58 | • CLAMP | 3541-24121 | 1 | | | | |
| 59 | • BOLT | 3540-24130 | 2 | | | | |
| 60 | • WASHER | 0290-20615 | 2 | | | | |

Parts List

Fig.5 ENGINE UNIT BC3400DL (S/N 980101 and up)

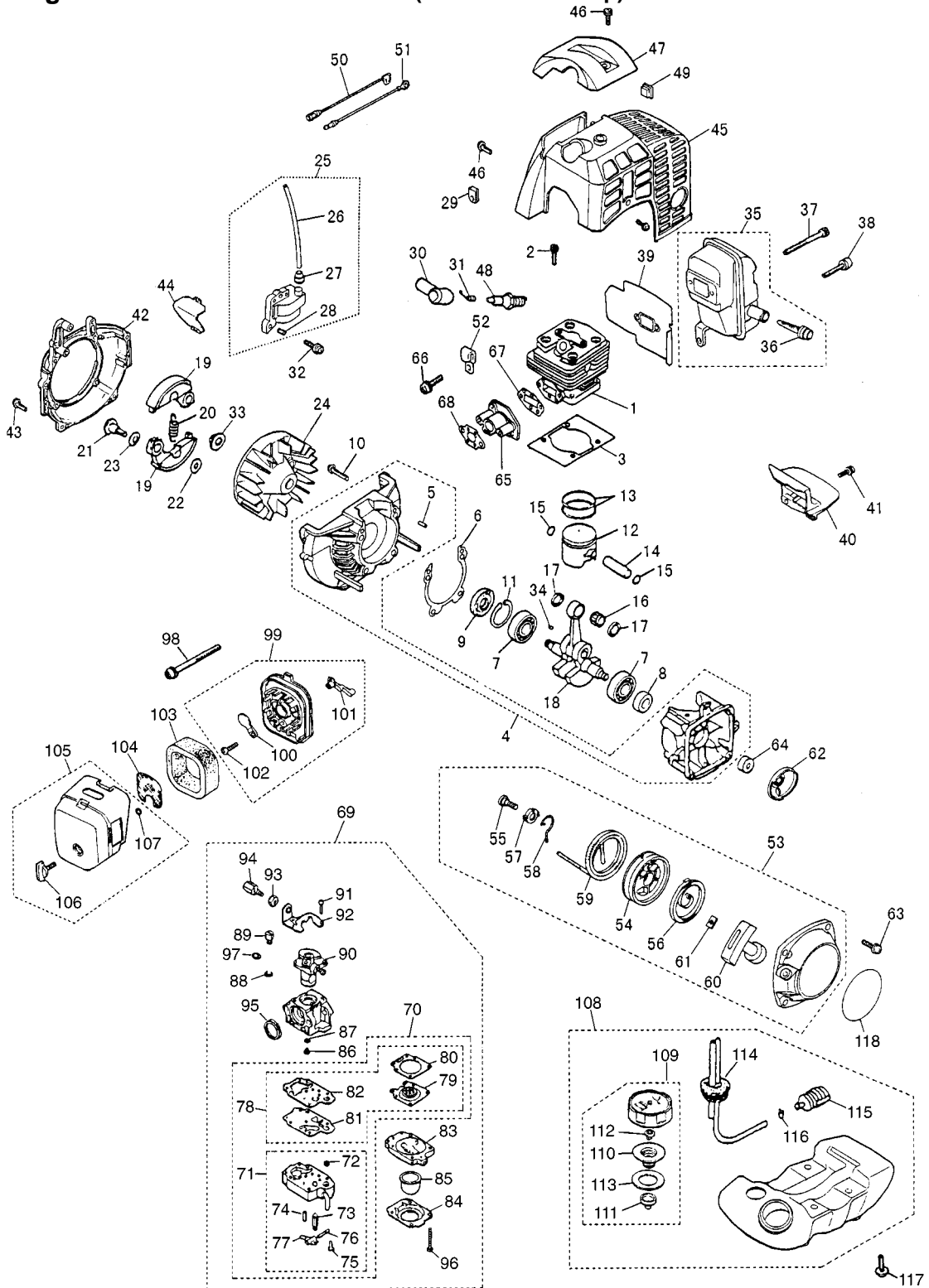


Fig.5 ENGINE UNIT BC3400DL (S/N 980101 and up)

| Key# | Description | Part Number | Q'ty | Key# | Description | Part Number | Q'ty |
|------|------------------|-------------|------|------|----------------------|-------------|------|
| 1 | CYLINDER | 4700-12110 | 1 | 61 | • PLATE,stopper | 5500-75170 | 1 |
| 2 | BOLT | 3310-12281 | 4 | 62 | PULLEY | 4500-75210 | 1 |
| 3 | GASKET,base | 4500-13120 | 1 | 63 | SCREW | 4500-75511 | 4 |
| 4 | CRANKCASE COMP. | 4500-21100 | 1 | 64 | COLLAR | 4700-75310 | 1 |
| 5 | • PIN | 2629-21130 | 3 | 65 | INSULATOR | 4500-13160 | 1 |
| 6 | GASKET,case | 4500-21140 | 1 | 66 | SCREW | 4500-13180 | 2 |
| 7 | BEARING | 06030-06201 | 2 | 67 | GASKET,insulator | 4700-13150 | 1 |
| 8 | OIL SEAL | 4810-21210 | 1 | 68 | GASKET,carburetor | 4500-13130 | 1 |
| 9 | OIL SEAL | 1650-21220 | 1 | 69 | CARBURETOR ASS'Y | T1006-81000 | 1 |
| 10 | BOLT | 01252-30530 | 4 | 70 | • REBUILT KIT | 5602-06030 | 1 |
| 11 | SNAP RING | 04065-03212 | 1 | 71 | •• BODY ASS'Y | 1850-81450 | 1 |
| 12 | PISTON | 4700-41110 | 1 | 72 | ••• SCREEN | _____ | - |
| 13 | RING | 1650-41210 | 2 | 73 | ••• VALVE | _____ | - |
| 14 | PIN | 1030-41310 | 1 | 74 | ••• SPRING | _____ | - |
| 15 | RING | 1300-41320 | 2 | 75 | ••• SCREW | _____ | - |
| 16 | BEARING | T2100-41410 | 1 | 76 | ••• PIN | _____ | - |
| 17 | WASHER | 2850-41510 | 2 | 77 | ••• LEVER | _____ | - |
| 18 | CRANKSHAFT COMP. | 4500-42000 | 1 | 78 | •• GASKET KIT | 5602-06020 | 1 |
| 19 | SHOE,clutch | 1400-51111 | 2 | 79 | ••• DIAPHRAGM | _____ | - |
| 20 | SPRING | 1651-51220 | 1 | 80 | ••• GASKET,diaphragm | _____ | - |
| 21 | SCREW | 1200-51211 | 2 | 81 | ••• DIAPHRAGM,pump | _____ | - |
| 22 | WASHER | 1200-51230 | 2 | 82 | ••• GASKET,pump | _____ | - |
| 23 | WASHER | 1200-51241 | 2 | 83 | • BODY,purge | 1850-81490 | 1 |
| 24 | ROTOR | 4700-71110 | 1 | 84 | • COVER,pump | 1850-81520 | 1 |
| 25 | COIL ASS'Y | 4700-71200 | 1 | 85 | • PUMP,priming | 1751-81510 | 1 |
| 26 | • CORD | 4700-71220 | 1 | 86 | • JET | T1006-81250 | 1 |
| 27 | • CAP | 4700-71230 | 1 | 87 | • O-RING | 1751-81240 | 1 |
| 28 | • PIN | 4700-71240 | 2 | 88 | • RING | 1751-81130 | 1 |
| 29 | GROMMET | 5500-72130 | 1 | 89 | • SWIVEL | 1881-81140 | 1 |
| 30 | CAP,plug | 1900-72111 | 1 | 90 | • VALVE ASS'Y | _____ | 1 |
| 31 | SPRING | 1900-72120 | 1 | 91 | • SCREW | 1752-81110 | 2 |
| 32 | BOLT | 4500-72150 | 2 | 92 | • BRACKET | 5500-81120 | 1 |
| 33 | NUT | 1650-43230 | 1 | 93 | • NUT,adjuster | 1751-81180 | 1 |
| 34 | KEY | 1000-43240 | 1 | 94 | • SCREW,adjuster | 1918-81170 | 1 |
| 35 | MUFFLER ASS'Y | T1006-15100 | 1 | 95 | • RING | 1881-81130 | 1 |
| 36 | • ARRESTER | 1601-15120 | 1 | 96 | • SCREW | 1850-81530 | 4 |
| 37 | BOLT | 01252-30560 | 2 | 97 | • WASHER | 5500-81160 | 1 |
| 38 | BOLT | 3310-31720 | 1 | 98 | SCREW | 0263-30550 | 2 |
| 39 | GASKET | 4700-15210 | 1 | 99 | BODY ASS'Y | 4500-82100 | 1 |
| 40 | PLATE | 4500-15220 | 1 | 100 | PLATE,choke | 4500-82130 | 1 |
| 41 | SCREW | 0263-90514 | 1 | 101 | LEVER,choke | 4500-82140 | 1 |
| 42 | COVER | 4700-31110 | 1 | 102 | SCREW | 2630-33610 | 1 |
| 43 | BOLT | 3310-12281 | 4 | 103 | ELEMENT | 4500-82170 | 1 |
| 44 | PLATE | 4700-31210 | 1 | 104 | SCREEN | 4500-82180 | 1 |
| 45 | COVER | 4500-32110 | 1 | 105 | COVER ASS'Y | 4500-82200 | 1 |
| 46 | SCREW | 4500-32120 | 4 | 106 | KNOB | 5500-82221 | 1 |
| 47 | GUARD | 4500-32210 | 1 | 107 | RING | 5500-82230 | 1 |
| 48 | SPARKPLUG | 5602-73110 | 1 | 108 | TANK ASS'Y | 4700-85000 | 1 |
| 49 | GROMMET | 1852-72121 | 1 | 109 | • CAP ASS'Y | 4500-85200 | 1 |
| 50 | CORD | T1006-73220 | 1 | 110 | •• HOLDER | 4500-85230 | 1 |
| 51 | CORD,earth | T1006-73230 | 1 | 111 | •• CAP | 5600-85240 | 1 |
| 52 | CLAMP | 1140-72231 | 1 | 112 | •• VALVE | 5600-85250 | 1 |
| 53 | RECOIL ASS'Y | 4500-75100 | 1 | 113 | •• PACKING | 4500-85220 | 1 |
| 54 | • REEL | 4500-75120 | 1 | 114 | • PIPE COMP. | 5500-85300 | 1 |
| 55 | • SCREW | 4500-75150 | 1 | 115 | • FILTER ASS'Y | 3302-85400 | 1 |
| 56 | • SPRING,spiral | 1850-75130 | 1 | 116 | • CLIP | 1260-85460 | 1 |
| 57 | • COLLAR | 4500-75180 | 1 | 117 | SCREW | 1600-86120 | 4 |
| 58 | • ARM | 4500-75190 | 1 | 118 | LABEL,recoil | T1006-75410 | 1 |
| 59 | • ROPE | 4500-75160 | 1 | | | | |
| 60 | • KNOB | 1140-75320 | 1 | | | | |

Parts List

Fig.6 DRIVE UNIT BC4400DW (S/N 980101 and up)

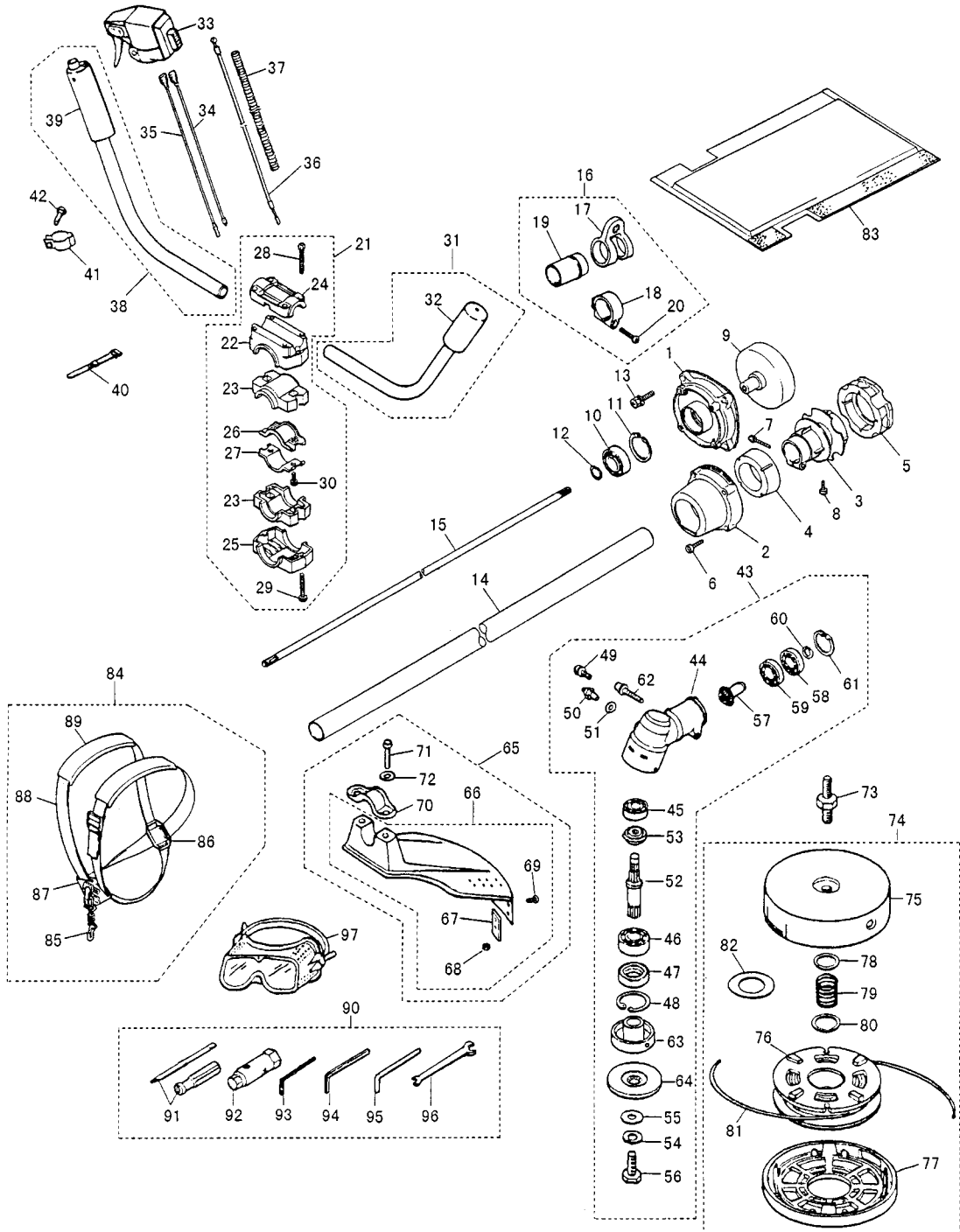


Fig.6 DRIVE UNIT BC4400DW (S/N 980101 and up)

| Key# | Description | Part Number | Q'ty | Key# | Description | Part Number | Q'ty |
|------|-------------------|-------------|------|------|-----------------|---------------|------|
| 1 | HOUSING | 4050-11110 | 1 | 61 | • SNAPRING | 04065-02612 | 1 |
| 2 | CAP | 4050-11150 | 1 | 62 | • BOLT | 3540-13260 | 1 |
| 3 | JOINT | 4050-11210 | 1 | 63 | • HOLDER(A) | 3541-13241 | 1 |
| 4 | ABSORBER-F | 4050-11250 | 1 | 64 | • HOLDER(B) | 3541-13251 | 1 |
| 5 | ABSORBER-R | 4050-11260 | 1 | 65 | GUARD ASSY | 6359-24000 | 1 |
| 6 | BOLT | 01252-30530 | 4 | 66 | • GUARD COMP | 6359-24100 | 1 |
| 7 | BOLT | 01252-30630 | 1 | 67 | •• BLADE | 6357-24150 | 1 |
| 8 | BOLT | 01252-30510 | 1 | 68 | •• NUT | 3320-15310 | 2 |
| 9 | DRUM,clutch | 4050-11310 | 1 | 69 | •• SCREW | 0263-30512 | 2 |
| 10 | BEARING | 06004-06202 | 1 | 70 | • CLAMP | 3541-24121 | 1 |
| 11 | SNAPRING | 04065-03515 | 1 | 71 | • BOLT | 3540-24130 | 2 |
| 12 | SNAPRING | 04064-01510 | 1 | 72 | • WASHER | 0290-20615 | 2 |
| 13 | BOLT | 6468-91150 | 4 | 73 | SHAFT | 6041-99220 | 1 |
| 14 | PIPE COMP | 4050-12100 | 1 | 74 | COM.TAP.HEAD 6" | PT100 | 1 |
| 15 | DRIVE SHAFT | 3540-12211 | 1 | 75 | • CASE | 6041-99111 | 1 |
| 16 | HANGER ASSY | 6520-17100 | 1 | 76 | • CORD HOLDER | 6041-99140 | 1 |
| 17 | • HANGER | 6520-17110 | 1 | 77 | • COVER | 6041-99130 | 1 |
| 18 | • CLAMP | 6520-17120 | 1 | 78 | • PLATE | 3268-15150 | 1 |
| 19 | • SPACER | 6520-17130 | 1 | 79 | • SPRING | 6041-99161 | 1 |
| 20 | • SCREW | 0263-90525 | 1 | 80 | • PLATE | 3268-15170 | 1 |
| 21 | BRACKET ASSY | 4050-14101 | 1 | 81 | • CORD | 6041-99181 | 1 |
| 22 | • BRACKET | 4050-14111 | 1 | 82 | • SPACER | 6460-15210 | 1 |
| 23 | • ABSORBER | 4050-14140 | 2 | 83 | PROTECTOR | 4050-17110 | 1 |
| 24 | • CAP,Upper | 3257-14192 | 1 | 84 | HARNES ASSY | 6565-95200 | 1 |
| 25 | • CAP,Lower | 4050-14121 | 1 | 85 | • HOOK | 6565-17210 | 1 |
| 26 | • CLAMP(A) | 4050-14150 | 1 | 86 | • PLATE | 6565-17220 | 1 |
| 27 | • CLAMP(B) | 4050-14160 | 1 | 87 | • HANGER COMP | 6565-95230 | 1 |
| 28 | • BOLT | 01252-30525 | 4 | 88 | • BAND | 6565-17200-01 | 1 |
| 29 | • BOLT | 01252-30535 | 2 | 89 | • PROTECTOR | 6565-17200-02 | 1 |
| 30 | • BOLT | 01252-30514 | 2 | 90 | TOOL SET | 3532-91000 | 1 |
| 31 | HANDLE COMP,Left | 3540-14200 | 1 | 91 | • SCREW DRIVER | 1030-91340 | 1 |
| 32 | • GRIP | 3540-14220 | 1 | 92 | • SOCKET | 3239-91310 | 1 |
| 33 | LEVER ASSY | 6234-14601 | 1 | 93 | • WRENCH | 09007-00425 | 1 |
| 34 | CORD(A),black | T3004-14710 | 1 | 94 | • WRENCH | 09007-00528 | 1 |
| 35 | CORD(B),red | T3004-14720 | 1 | 95 | • BAR | 3540-91110 | 1 |
| 36 | CABLE COMP | 5915-83100 | 1 | 96 | • SPANNER | 3540-91120 | 1 |
| 37 | TUBE | T3004-14810 | 1 | 97 | GOGGLE | 6242-92110 | 1 |
| 38 | HANDLE COMP,Right | 6242-14400 | 1 | | | | |
| 39 | • GRIP | 3540-14321 | 1 | | | | |
| 40 | BAND | 3540-93120 | 1 | | | | |
| 41 | CLAMP | 3260-14251 | 1 | | | | |
| 42 | SCREW | 0260-00516 | 1 | | | | |
| 43 | GEARCASE ASSY | T3003-13000 | 1 | | | | |
| 44 | • GEARCASE | 3541-13114 | 1 | | | | |
| 45 | • BEARING | 06000-06000 | 1 | | | | |
| 46 | • BEARING | 06000-06201 | 1 | | | | |
| 47 | • SEAL | 3180-13141 | 1 | | | | |
| 48 | • SNAPRING | 04065-03212 | 1 | | | | |
| 49 | • BOLT | 01252-30510 | 1 | | | | |
| 50 | • FITTING,grease | 3199-13350 | 1 | | | | |
| 51 | • WASHER | 01641-20608 | 1 | | | | |
| 52 | • SHAFT | 4050-13210 | 1 | | | | |
| 53 | • GEAR | 3180-13220 | 1 | | | | |
| 54 | • WASHER | 3310-43210 | 1 | | | | |
| 55 | • WASHER | 01643-30823 | 1 | | | | |
| 56 | • BOLT,LH | 3579-33260 | 1 | | | | |
| 57 | • PINION | 3541-13311 | 1 | | | | |
| 58 | • BEARING | 06001-06000 | 1 | | | | |
| 59 | • BEARING | 06000-06000 | 1 | | | | |
| 60 | • SNAPRING | 3180-13330 | 1 | | | | |

Parts List

Fig.7 ENGINE UNIT BC4400DW (S/N 980101 and up)

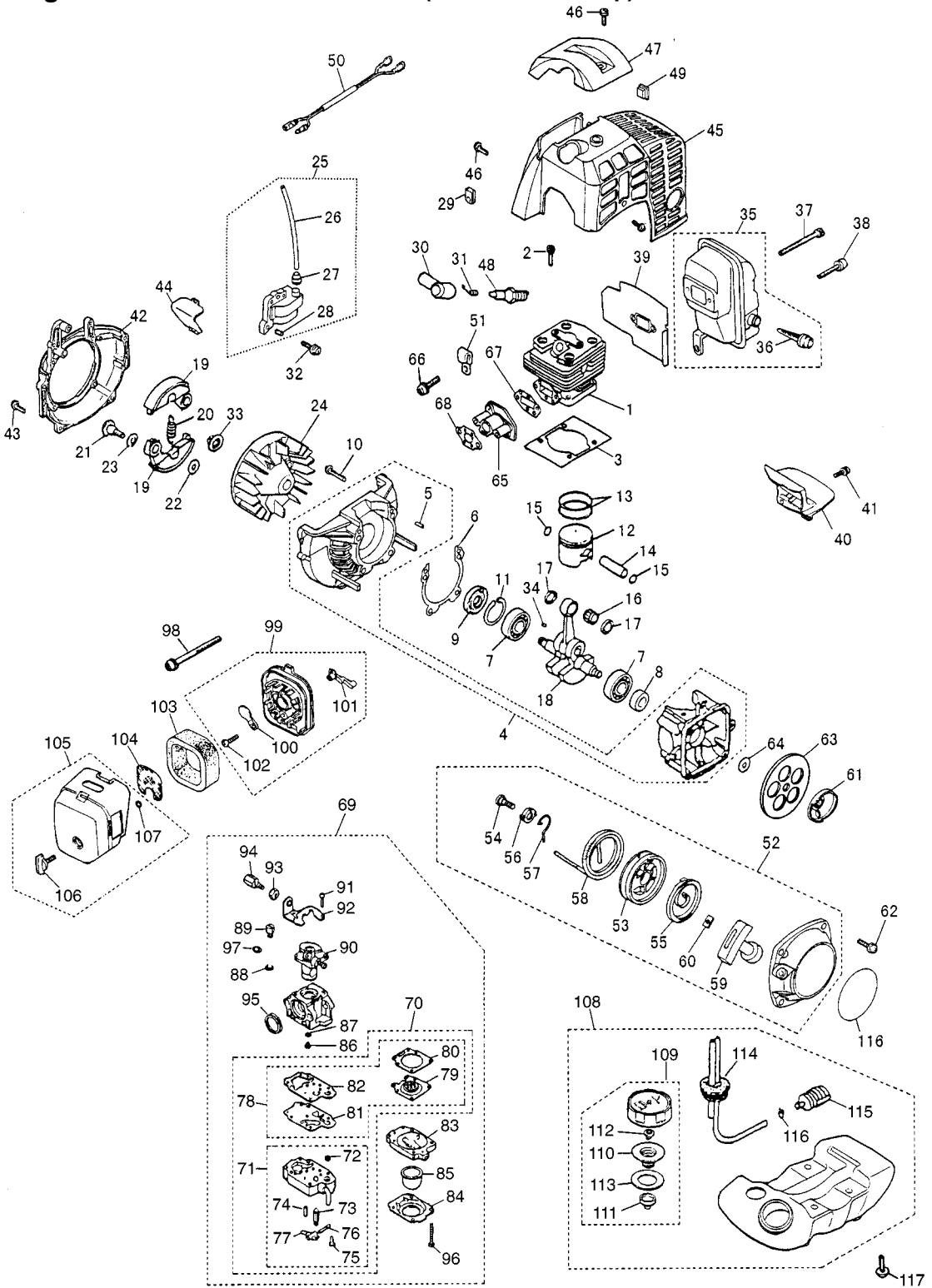


Fig.7 ENGINE UNIT BC4400DW (S/N 980101 and up)

| Key# | Description | Part Number | Q'ty | Key# | Description | Part Number | Q'ty |
|------|------------------|-------------|------|------|----------------------|-------------|------|
| 1 | CYLINDER | 4500-12110 | 1 | 61 | PULLEY | 4500-75210 | 1 |
| 2 | BOLT | 3310-12281 | 4 | 62 | SCREW | 4500-75511 | 4 |
| 3 | GASKET,base | 4500-13120 | 1 | 63 | PLATE | 4500-75310 | 1 |
| 4 | CRANKCASE COMP. | 4500-21100 | 1 | 64 | WASHER | 01643-20823 | 1 |
| 5 | • PIN | 2629-21130 | 3 | 65 | INSULATOR | 4500-13160 | 1 |
| 6 | GASKET,case | 4500-21140 | 1 | 66 | SCREW | 4500-13180 | 2 |
| 7 | BEARING | 06030-06201 | 2 | 67 | GASKET,insulator | 4500-13150 | 1 |
| 8 | OIL SEAL | 4810-21210 | 1 | 68 | GASKET,carburetor | 4500-13130 | 1 |
| 9 | OIL SEAL | 1650-21220 | 1 | 69 | CARBURETOR ASS'Y | T1007-81000 | 1 |
| 10 | BOLT | 01252-30530 | 4 | 70 | • REBUILT KIT | 5602-06030 | 1 |
| 11 | SNAP RING | 04065-03212 | 1 | 71 | •• BODY ASS'Y | 1850-81450 | 1 |
| 12 | PISTON | 4500-41110 | 1 | 72 | ••• SCREEN | _____ | - |
| 13 | RING | 1400-41220 | 2 | 73 | ••• VALVE | _____ | - |
| 14 | PIN | 2850-41310 | 1 | 74 | ••• SPRING | _____ | - |
| 15 | RING | 1300-41320 | 2 | 75 | ••• SCREW | _____ | - |
| 16 | BEARING | T2100-41410 | 1 | 76 | ••• PIN | _____ | - |
| 17 | WASHER | 2850-41510 | 2 | 77 | ••• LEVER | _____ | - |
| 18 | CRANKSHAFT COMP. | 4500-42000 | 1 | 78 | •• GASKET KIT | 5602-06020 | 1 |
| 19 | SHOE,clutch | 4500-51110 | 2 | 79 | ••• DIAPHRAGM | _____ | - |
| 20 | SPRING | 4500-51220 | 1 | 80 | ••• GASKET,diaphragm | _____ | - |
| 21 | SCREW | 1200-51211 | 2 | 81 | ••• DIAPHRAGM,pump | _____ | - |
| 22 | WASHER | 1200-51230 | 2 | 82 | ••• GASKET,pump | _____ | - |
| 23 | WASHER | 1200-51241 | 2 | 83 | • BODY,purge | 1850-81490 | 1 |
| 24 | ROTOR | 4500-71110 | 1 | 84 | • COVER,pump | 1850-81520 | 1 |
| 25 | COIL ASS'Y | 4500-71200 | 1 | 85 | • PUMP,priming | 1751-81510 | 1 |
| 26 | • CORD | 4500-71220 | 1 | 86 | • JET | T1007-81250 | 1 |
| 27 | • CAP | 2616-71320 | 1 | 87 | • O-RING | 1751-81240 | 1 |
| 28 | • PIN | 3356-21130 | 2 | 88 | • RING | 1751-81130 | 1 |
| 29 | GROMMET | 5500-72130 | 1 | 89 | • SWIVEL | 1881-81140 | 1 |
| 30 | CAP,plug | 1900-72111 | 1 | 90 | • VALVE ASS'Y | _____ | 1 |
| 31 | SPRING | 1900-72120 | 1 | 91 | • SCREW | 1752-81110 | 2 |
| 32 | BOLT | 4500-72150 | 2 | 92 | • BRACKET | 5500-81120 | 1 |
| 33 | NUT | 1650-43230 | 1 | 93 | • NUT,adjuster | 1751-81180 | 1 |
| 34 | KEY | 1000-43240 | 1 | 94 | • SCREW,adjuster | 1918-81170 | 1 |
| 35 | MUFFLER ASS'Y | T1007-15100 | 1 | 95 | • RING | 1881-81130 | 1 |
| 36 | • ARRESTER | 1601-15120 | 1 | 96 | • SCREW | 1850-81530 | 4 |
| 37 | BOLT | 01252-30565 | 2 | 97 | • WASHER | 5500-81160 | 1 |
| 38 | BOLT | 3310-31720 | 1 | 98 | SCREW | 0263-30550 | 2 |
| 39 | GASKET,muffler | 4700-15210 | 1 | 99 | BODY ASS'Y | 4500-82100 | 1 |
| 40 | PLATE,muffler | 4500-15220 | 1 | 100 | • PLATE,choke | 4500-82130 | 1 |
| 41 | SCREW | 0263-90514 | 1 | 101 | • LEVER,choke | 4500-82140 | 1 |
| 42 | COVER | 4500-31110 | 1 | 102 | • SCREW | 2630-33610 | 1 |
| 43 | BOLT | 3310-12281 | 4 | 103 | ELEMENT | 4500-82170 | 1 |
| 44 | PLATE | 4500-31210 | 1 | 104 | SCREEN | 4500-82180 | 1 |
| 45 | COVER | 4500-32110 | 1 | 105 | COVER ASS'Y | 4500-82200 | 1 |
| 46 | SCREW | 4500-32120 | 4 | 106 | • KNOB | 5500-82221 | 1 |
| 47 | GUARD | 4500-32210 | 1 | 107 | • RING | 5500-82230 | 1 |
| 48 | SPARKPLUG | 5602-73110 | 1 | 108 | TANK ASS'Y | 4500-85000 | 1 |
| 49 | GROMMET | 1852-72121 | 1 | 109 | • CAP ASS'Y | 4500-85200 | 1 |
| 50 | CORD COMP. | T1007-73200 | 1 | 110 | •• HOLDER | 4500-85230 | 1 |
| 51 | CLAMP | 1140-72231 | 1 | 111 | •• CAP | 5600-85240 | 1 |
| 52 | RECOIL ASS'Y | 4500-75100 | 1 | 112 | •• VALVE | 5600-85250 | 1 |
| 53 | • REEL | 4500-75120 | 1 | 113 | •• PACKING | 4500-85220 | 1 |
| 54 | • SCREW | 4500-75150 | 1 | 114 | • PIPE COMP. | 5500-85300 | 1 |
| 55 | • SPRING,spiral | 1850-75130 | 1 | 115 | • FILTER ASS'Y | 3302-85400 | 1 |
| 56 | • COLLAR | 4500-75180 | 1 | 116 | • CLIP | 1260-85460 | 1 |
| 57 | • ARM | 4500-75190 | 1 | 117 | SCREW | 1600-86120 | 4 |
| 58 | • ROPE | 4500-75160 | 1 | 118 | LABEL | T1007-75410 | 1 |
| 59 | • KNOB | 1140-75320 | 1 | | | | |
| 60 | • PLATE,stopper | 5500-75170 | 1 | | | | |