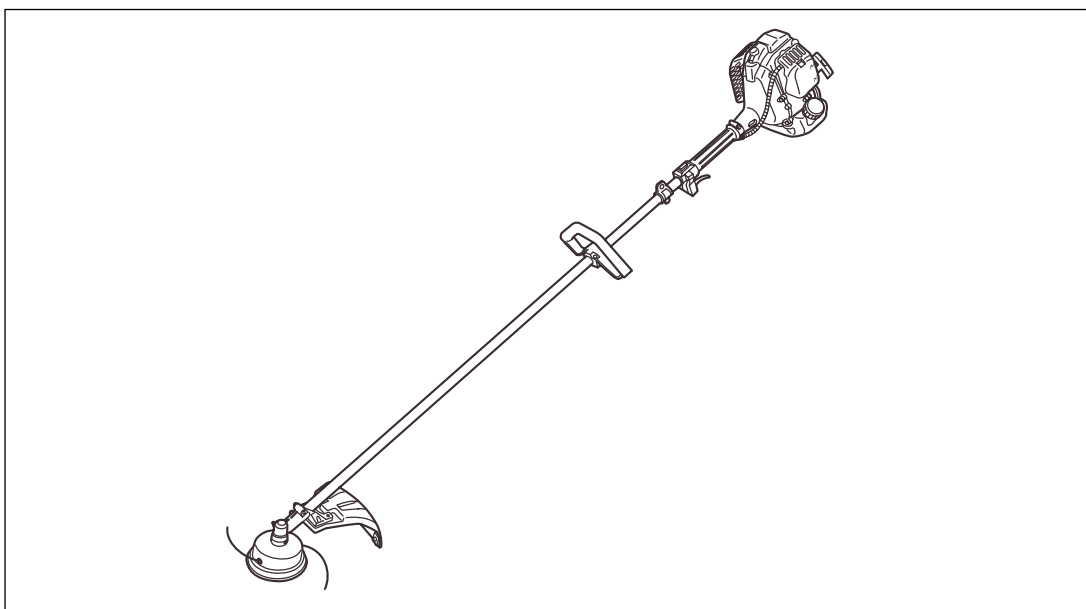




ILLUSTRATED PARTS LIST

BRUSHCUTTERS

BCX2600S



WARNING



The engine exhaust from this product contains chemicals known to the State of California to cause cancer, birth defects or other reproductive harm.



WARNING



Before using our brushcutters, please read this manual carefully to understand the proper use of your unit.

APPLICABLE SERIAL NUMBERS :

DRIVE UNIT 900101 and up

ENGINE UNIT 900101 and up

13. Parts list

BRUSHCUTTERS

BCX2600S

NOTE :

1. Use KOMATSU ZENOAH genuine parts as specified in the parts list for repair and/or replacement.
2. KOMATSU ZENOAH does not warrant the machines, which have been damaged by the use of any parts other than those specified by the company.
3. When placing parts orders for repair and/or replacement, check if the model name and the serial number are applicable to those specified in the parts list, then use parts number described in the parts list.
4. The contents described in the parts list may change due to improvement.
5. The parts for the machine shall be supplied seven (7) years after the machine is discontinued. [It is possible that some specific parts may be subject to change of their delivery term and list price within the limit of ten (7) years after the machine is discontinued. It is also possible that some parts may be available even after the limit of seven (7) years.]

APPLICABLE SERIAL NUMBERS :

Oct.1999

DRIVE UNIT 900101 and up

ENGINE UNIT 900101 and up

13. Parts list

Fig.1 CUTTER GROUP BCX2600S

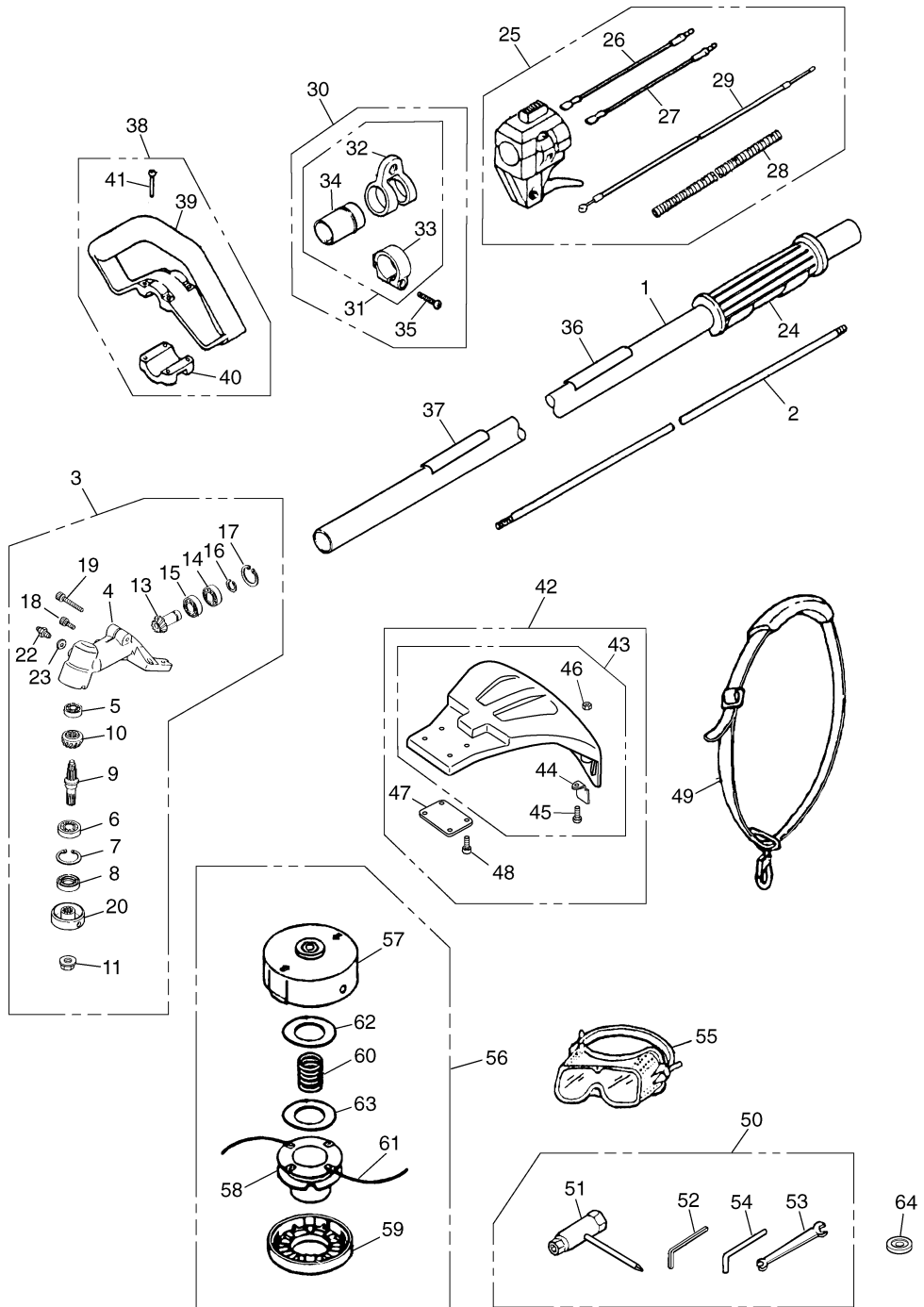


Fig.1 CUTTER GROUP BCX2600S

Key#	Description	Part Number	Q'ty	Key#	Description	Part Number	Q'ty
1	PIPE-COMP	T3002-12100	1	51	• SOCKET	T3002-91310	1
2	SHAFT	3520-12212	1	52	• WRENCH	09007-00425	1
3	GEARCASE-ASSY	T3002-13001	1	53	• SPANNER	3540-91120	1
4	• GEARCASE	6489-13110	1	54	• BAR	3540-91110	1
5	• BEARING	06000-00626	1	55	GOGGLE	T3002-91190	1
6	• BEARING	06000-06000	1	56	TAP. HEAD 4"	PT104	1
7	• RING	04065-02612	1	57	• CASE	6460-15113	1
8	• SEAL	3565-13130	1	58	• CORD HOLDER	6460-15142	1
9	• SHAFT	T3002-13210	1	59	• COVER	6460-15131	1
10	• GEAR	6440-13220	1	60	• SPRING	6041-99162	1
11	• NUT	T3002-13260	1	61	• TRIMMER LINE	6460-15180	1
—	—	—	1	62	• PLATE, large	3268-15150	1
13	• PINION	T3002-13310	1	63	• PLATE, small	3268-15170	1
14	• BEARING	06001-00609	1	64	HOLDER (B)	6019-13250	1
15	• BEARING	06000-00609	1				
16	• RING	3210-13330	1				
17	• RING	04065-02412	1				
18	• BOLT	01252-30510	1				
19	• BOLT	3350-21320	1				
20	• HOLDER (A)	6440-13242	1				
—	—	—	1				
22	• FITTING, grease	3199-13350	1				
23	• WASHER	01641-20608	1				
24	GRIP	3577-32141	1				
25	LEVER-COMP	T3032-12200	1				
26	• CORD (A)	T3002-12220	1				
27	• CORD (B)	T3002-12230	1				
28	• TUBE	T3002-12240	1				
29	• CABLE	T3002-83100	1				
30	HANGER-ASSY	6420-17300	1				
31	• HANGER-COMP	6420-17400	1				
32	•• HANGER	9366-17110	1				
33	•• CLAMP	9366-17120	1				
34	•• SLEEVE	6420-17410	1				
35	• SCREW	00263-90525	1				
36	PLATE-NAME	T3032-12510	1				
37	PLATE	6425-12552	1				
38	HANDLE-ASSY	6420-14100	1				
39	• HANDLE	6420-14311	1				
40	• CLAMP	6420-14320	1				
41	• SCREW	00263-90535	4				
42	GUARD-ASSY	T3002-24001	1				
43	• GUARD COMP	T3002-24101	1				
44	•• BLADE	T3002-24121	1				
45	•• SCREW	00263-90516	1				
46	•• NUT	3320-15310	1				
47	• PLATE	6489-24120	1				
48	• BOLT	01252-30514	4				
49	STRAP-ASSY	T3002-17200	1				
50	TOOL-SET	T3002-91000	1				

13. Parts list

Fig.2 ENGINE GROUP BCX2600S

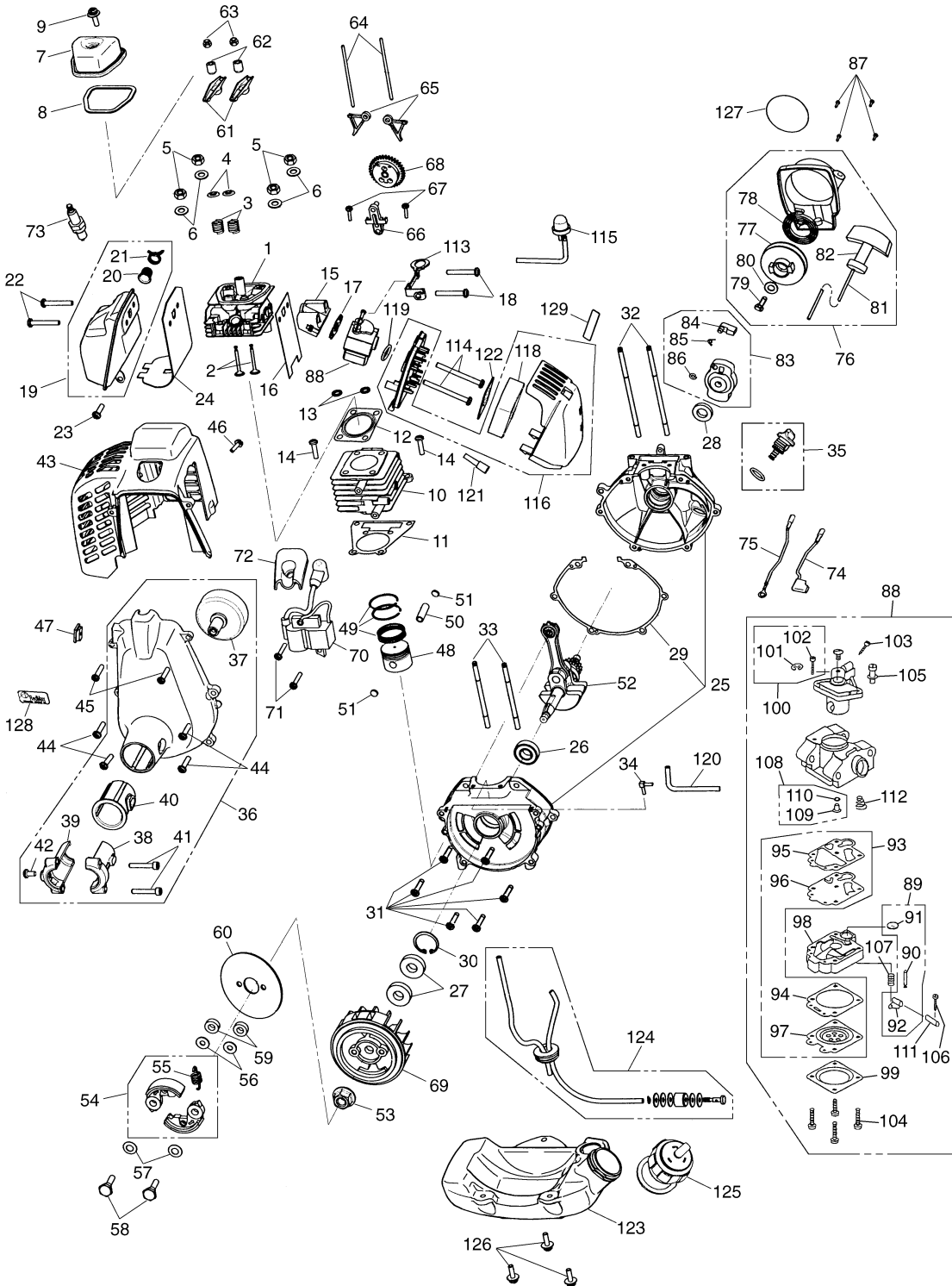


Fig.2 ENGINE GROUP BCX2600S

Key#	Description	Part Number	Q'ty	Key#	Description	Part Number	Q'ty
1	HEAD&BOX	182141	1	67	SCREW	181012	2
2	VALVE	181040	2	68	CAM GEAR-A	182124	1
3	SPRING VALVE	181038	2	69	ROTOR	182113	1
4	RETAINER, valve spring	182103	2	70	COIL-A	182108	1
5	NUT	181034	4	71	SCREW, coil	181066	2
6	WASHER	181035	4	72	CAP-COVER	182293	1
7	COVER, valve	182098	1	73	PLUG, spark	180852	1
8	GASKET, valve cover	182099	1	74	CORD(A)	2063-72310	1
9	SCREW	181025	1	75	CORD(B)	2063-72320	1
10	CYLINDER	182132	1	76	RECOIL-A & SCREW	182117	1
11	GASKET, base	181004	1	77	•• REEL	181738	1
12	GASKET, head	181001	1	78	•• SPRING	181739	1
13	O-RING,push rod	181000	2	79	•• SCREW	181740	1
14	SCREW	181003	2	80	•• WASHER	181741	1
15	INSULATOR	182109	1	81	•• ROPE	181742	1
16	GASKET, insulator	182131	1	82	•• KNOB	181079	1
17	GASKET CARB	182270	1	83	PULLEY-A	182118	1
18	SCREW	182105	2	84	•• RATCHET	181745	1
19	MUFFLER-A	182106	1	85	•• SPRING	181746	1
20	•• ARRESTER	182153	1	86	•• RING, snap	181747	1
21	•• CLIP	2062-15150	1	87	SCREW	182143	4
22	SCREW	182105	2	88	CARBURETOR-A	182110	1
23	SCREW	181020	1	89	• REBUILT-KIT	2062-95190	1
24	GASKET,muffler	182107	1	90	•• VALVE, inlet needle	_____	1
25	CASE-C & GASKET	182140	1	91	•• SCREEN, fuel inlet	_____	1
26	BEARING(F)	182134	1	92	•• LEVER, metering	_____	1
27	SEAL(F)	182127	2	93	• GASKET KIT	2062-95210	1
28	SEAL(S)	182142	1	94	•• GASKET, metering diaphragm	_____	1
29	GASKET, case	182136	1	95	•• GASKET, pump	_____	1
30	SNAP RING	182128	1	96	• DIAPHRAGM, pump	_____	1
31	SCREW	182147	6	97	•• DIAPHRAGM ASS'Y, metering	_____	1
32	STUD	181011	2	98	• BODY ASSEMBLY, pump	2062-81450	1
33	STUD	181010	2	99	• COVER, metering diaphragm	2062-81520	1
34	ELBOW	182135	1	100	• SWIVEL-A	2062-81150	1
35	PLUG & O-RING	182289	1	101	•• RING, spring retaining	_____	1
36	HOUSING-A	182298	1	102	•• SWIVEL	_____	1
37	•• DRUM	2063-31120	1	103	• SCREW, idle adjust	1751-81310	1
38	•• BRACKET(A)	6470-31211	1	104	• SCREW, cover	1065-81530	4
39	•• BRACKET(B)	6470-31221	1	105	• SCREW, collar throttle	5850-81110	2
40	•• CUSHION	6470-31230	1	106	• SCREW, metering lever pin	1850-81220	1
41	•• BOLT	01252-60530	2	107	• SPRING, metering lever	1850-81270	1
42	•• BOLT	01252-30514	1	108	• JET MAIN KIT	2062-81280	1
43	COVER ENGINE	182288	1	109	•• JET	_____	1
44	SCREW	181003	4	110	•• O-RING	_____	1
45	SCREW	181764	2	111	• PIN, metering lever	3310-81250	1
46	SCREW	182146	1	112	• SPRING, diaphragm pump	2062-81430	1
47	GROMMET	182157	1	113	BRACKET	182112	1
48	PISTON, machined	182300	1	114	SCREW	182133	2
49	RING, set	182295	1	115	PUMP & PIPE	181054	1
50	PIN, piston	181006	1	116	CLEANER-A	182111	1
51	BUTTON	182287	2				
52	SHAFT & CEAR	182266	1	118	• ELEMENT, cleaner	182116	1
53	NUT	182301	1	119	O-RING	181751	1
54	SHOE-C	182296	1	120	HOSE, breather	182096	1
55	• SPRING	1600-51223	1	121	BREATHING-A	182097	1
56	WASHER, plane	182303	2	122	NET	182294	1
57	WASHER, spring	182304	2	123	• TANK	182291	1
58	SCREW	182305	2	124	• FILTER-A & RETURN	182299	1
59	SPACER	182297	2	125	• CAP-A	182267	1
60	DISK	182302	1	126	SCREW	182144	3
61	ROCKER ARM	182100	2	127	LABEL, recoil	182322	1
62	PIVOT, rocker arm	182101	2	128	LABEL, housing	182324	1
63	NUT	181030	2	129	LABEL, cleaner	182323	1
64	ROD, push	181033	2				
65	FOLLOWER, cam	182123	2				
66	CAM BRACKET-A	181013	1				