

BRUSHCUTTERS

BC2300DL
BC2600DL
BC3400DL
BC4400DW

NOTE :

1. Use KOMATSU ZENOAH genuine parts as specified in the parts list for repair and/or replacement.
2. KOMATSU ZENOAH does not warrant the machines, which have been damaged by the use of any parts other than those specified by the company.
3. When placing parts orders for repair and/or replacement, check if the model name and the serial number are applicable to those specified in the parts list, then use parts number described in the parts list.
4. The contents described in the parts list may change due to improvement.
5. The parts for the machine shall be supplied seven (7) years after the machine is discontinued. [It is possible that some specific parts may be subject to change of their delivery term and list price within the limit of ten (7) years after the machine is discontinued. It is also possible that some parts may be available even after the limit of seven (7) years.]

APPLICABLE SERIAL NUMBERS :

Oct.1999

BC2300DL	DRIVE UNIT 500000000 and up	ENGINE UNIT 990639 and up
BC2600DL	DRIVE UNIT 500000000 and up	ENGINE UNIT 978729 and up
BC3400DL	DRIVE UNIT 980101 and up	ENGINE UNIT 980101 and up
BC4400DW	DRIVE UNIT 980101 and up	ENGINE UNIT 980101 and up

Parts List

Fig.1 DRIVE UNIT BC2300DL & BC2600DL

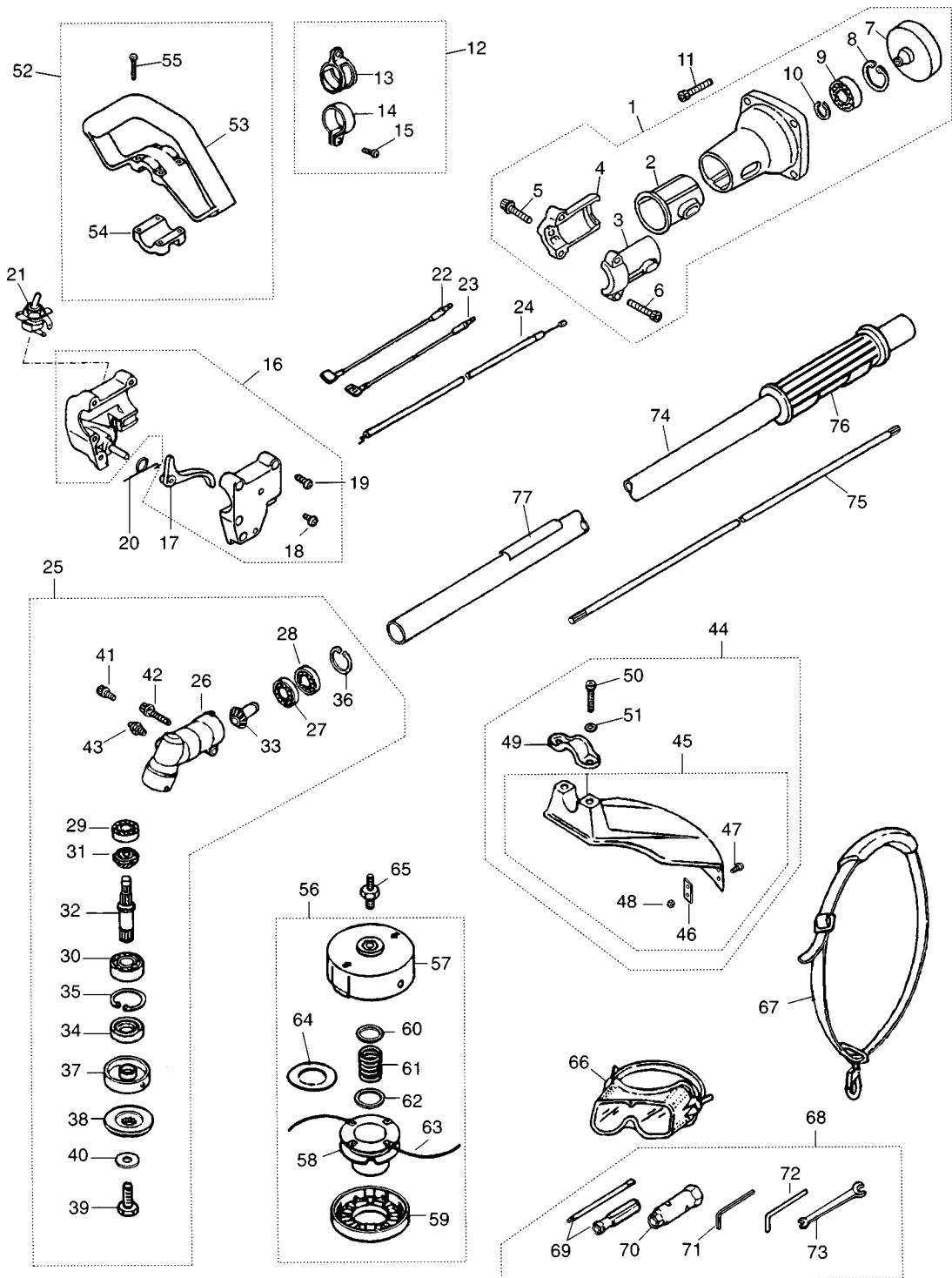


Fig.1 DRIVE UNIT BC2300DL & BC2600DL

Key#	Description	Part Number	Q'ty	Key#	Description	Part Number	Q'ty
1	HOUSING, ASS'Y	6460-11002	1	61	SPRING	6041-99161	1
2	CUSHION	6470-31230	1	62	PLATE, small	3268-15170	1
3	BRACKET (A)	6460-31210	1	63	CORD	6460-15180	1
4	BRACKET (B)	6460-31220	1	64	SPACER	6460-15210	1
5	BOLT	01252-30514	1	65	SHAFT	PTA008	1
6	BOLT	01252-30530	2	66	GOGGLE	180773	1
7	DRUM, clutch	6460-12111	1	67	STRAP ASS'Y	160197	1
8	SNAP, ring	04065-02812	1	68	TOOL KIT	3550-91000	1
9	BEARING	06004-06001	1	69	SCREWDRIVER	1030-91340	1
10	SNAP, ring	04064-01210	1	70	SOCKET	3239-91310	1
11	BOLT	6468-91150	4	71	WRENCH	09007-00425	1
12	HANGER COMP.	6460-17100	1	72	BAR	3540-91110	1
13	HANGER	9366-17110	1	73	SPANNER	3540-91120	1
14	CLAMP	6460-17120	1	74	PIPE COMP.	180771BC	1
15	SCREW	0263-90525	1	75	SHAFT	3520-12212	1
16	LEVER ASS'Y	181124	1	76	GRIP	180770	1
17	THROTTLE LEVER	181689	1	77	DECAL	181127	1
18	SCREW	145569	1				
19	SCREW	180974	4				
20	SPRING	610314	1				
21	STOP SWITCH	180252	1				
22	CORD, red	180768	1				
23	CORD, black	180769	1				
24	CABLE COMP.	6502-82100	1				
25	GEARCASE ASS'Y	6460-13000	1				
26	GEARCASE	6460-13110	1				
27	BEARING	6460-13410	1				
28	BEARING	6460-13420	1				
29	BEARING	6460-13430	1				
30	BEARING	06001-06001	1				
31	GEAR	6460-13220	1				
32	SHAFT	6460-13210	1				
33	PINION	6460-13310	1				
34	OIL SEAL	6460-13140	1				
35	SNAP RING	6460-13340	1				
36	SNAP RING	6460-13350	1				
37	HOLDER(A)	6460-13240	1				
38	HOLDER(B)	6460-13250	1				
39	BOLT	6460-13290	1				
40	WASHER	6460-13370	1				
41	BOLT	01252-50512	1				
42	BOLT	01252-50525	1				
43	FITTING, grease	6460-13360	1				
44	GUARD ASS'Y	6460-24000	1				
45	GUARD COMP.	6460-24100	1				
46	BLADE	6041-24140	1				
47	SCREW	0263-30512	2				
48	NUT	3320-15310	2				
49	CLAMP	3541-24121	1				
50	BOLT	3540-24130	2				
51	WASHER	0290-20615	2				
52	HANDLE ASS'Y	6462-14100	1				
53	HANDLE	6462-14310	1				
54	CLANP	6462-14320	1				
55	SCREW	0263-90535	4				
56	COM. TAP HEAD 4"	PT104	1				
57	CASE	6460-15112	1				
58	CORD HOLDER	6460-15141	1				
59	COVER	6460-15131	1				
60	PLATE, large	3268-15150	1				

Parts List

Fig.2 ENGINE UNIT BC2300DL

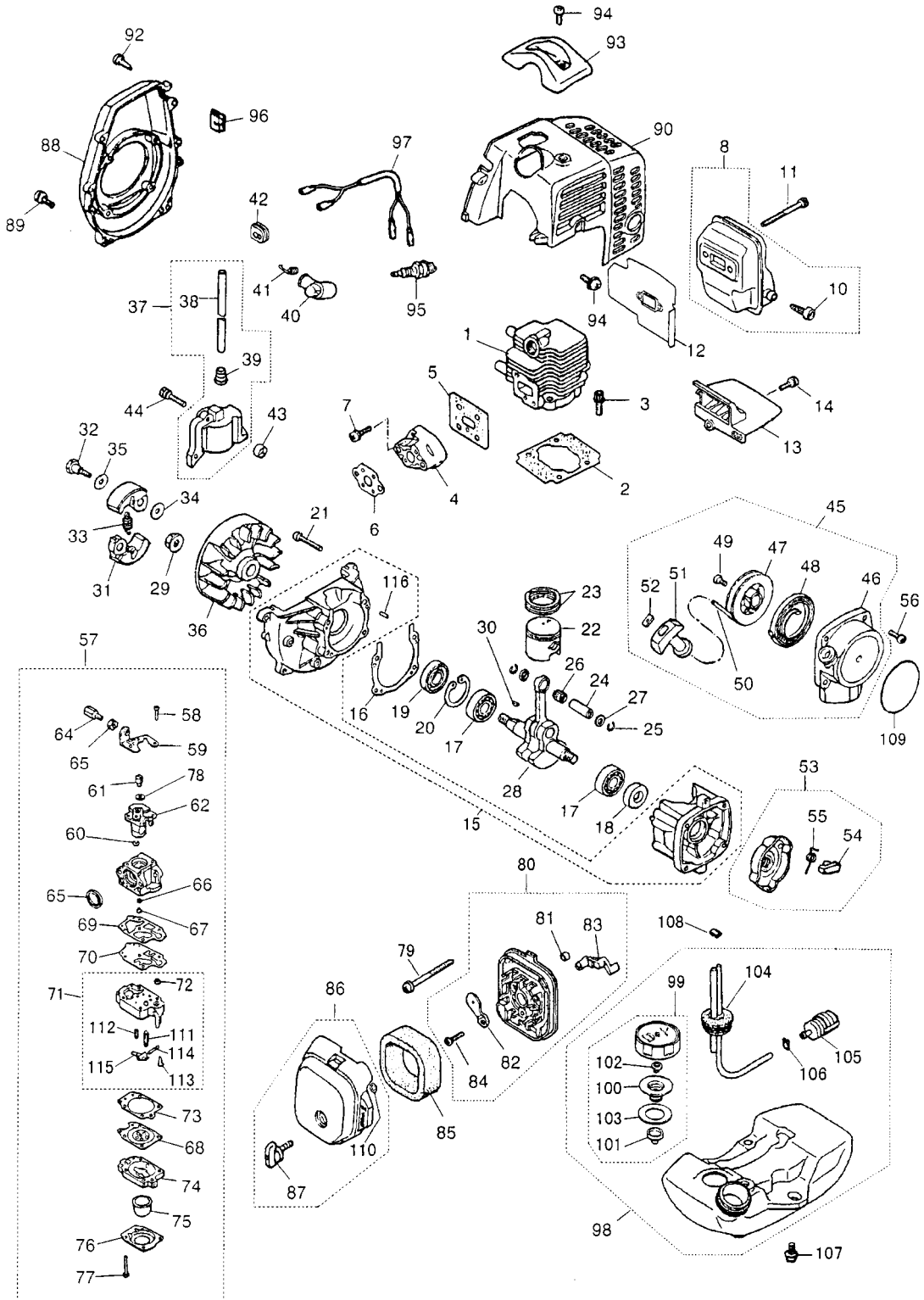


Fig.2 ENGINE UNIT BC2300DL

Key#	Description	Part Number	Q'ty	Key#	Description	Part Number	Q'ty
1	CYLINDER	5580-12110	1	61	SWIVEL	1881-81140	1
2	GASKET,base	5500-12212	1	62	VALVE ASS'Y	_____	1
3	BOLT	1850-12130	2	63	SCREW,adjuster	1918-81170	1
4	INSULATOR	5500-13162	1	64	NUT,adjuster	1751-81180	1
5	GASKET,insulator	5500-13121	1	65	RING	1881-81130	1
6	GASKET,carburetor	5500-13131	1	66	O-RING	1751-81240	1
7	SCREW	0263-90520	2	67	JET	5500-81251	1
8	MUFFLER ASS'Y	5850-15100	1	68	DIAPHRAGM	3310-81260	1
9	_____	_____	—	69	GASKET,pump	1065-81410	1
10	ARRESTER	1601-15120	1	70	DIAPHRAGM,pump	1065-81420	1
11	BOLT	01252-30550	2	71	BODY ASS'Y	1850-81450	1
12	GASKET,muffler	5910-15211	1	72	SCREEN	3306-81380	1
13	PLATE,muffler	5500-15220	1	73	GASKET,diaphragm	1850-81470	1
14	SCREW	0263-90416	1	74	BODY,purge	1850-81490	1
15	CRANKCASE COMP.	5500-21100	1	75	PUMP,priming	1751-81510	1
16	GASKET,case	5500-21141	1	76	COVER,pump	1850-81520	1
17	BEARING	06030-06001	2	77	SCREW	1850-81530	4
18	OIL SEAL	2169-21210	1	78	WASHER	5500-81160	1
19	OIL SEAL	1850-21220	1	79	SCREW	0263-90560	2
20	SNAP RING	04065-02812	1	80	BODY ASS'Y	5500-82102	1
21	SCREW	01252-30530	4	81	SLEEVE	1970-82190	2
22	PISTON	5600-41111	1	82	PLATE,choke	5500-82131	1
23	RING	1100-41210	2	83	LEVER,choke	5500-82140	1
24	PIN	1101-41310	1	84	SCREW	2630-33610	1
25	SNAP RING	1260-41320	2	85	ELEMENT	5500-82171	1
26	BEARING	1140-41330	1	86	COVER ASS'Y	5600-82202	1
27	WASHER	1101-41340	2	87	KNOB	5500-82221	1
28	CRANKSHAFT COMP.	5500-42001	1	88	COVER,fan	5501-31111	1
29	NUT	1650-43230	1	89	SCREW	0263-90520	4
30	KEY	1000-43240	1	90	COVER,engine	5580-32112	1
31	SHOE,clutch	1140-51111	2	91	SCREW	1850-32160	1
32	SCREW	1140-51250	2	92	SCREW	1900-31410	2
33	SPRING	1970-51221	1	93	GUARD,plug	5500-32210	1
34	WASHER	1140-51230	2	94	SCREW	0263-90514	1
35	WASHER	1970-51241	2	95	SPARKPLUG	5602-73110	1
36	ROTOR	5501-71110	1	96	GROMMET	1852-72121	1
37	COIL ASS'Y	5501-71201	1	97	CORD COMP.	5501-73201	1
38	CORD	5500-71220	1	98	TANK ASS'Y	5500-85004	1
39	CAP	2616-71320	1	99	CAP ASS'Y	5601-85200	1
40	CAP	1900-72111	1	100	HOLDER	5601-85230	1
41	SPRING	1900-72120	1	101	CAP,holder	5600-85240	1
42	GROMMET	5500-72130	1	102	VALVE	5600-85250	1
43	SPACER	1260-71261	2	103	PACKING	5500-85220	1
44	BOLT	3310-72150	2	104	PIPE COMP.	5500-85300	1
45	RECOIL ASS'Y	5500-75100	1	105	FILTER ASS'Y	5500-85400	1
46	CASE COMP.	5500-75110	1	106	CLIP	1260-85460	1
47	REEL	1850-75120	1	107	SCREW	5500-85510	3
48	SPRING,spiral	1850-75130	1	108	CLIP	1950-86120	1
49	SCREW	1850-75151	1	109	LABEL	5501-91122	1
50	ROPE	1850-75160	1	110	RING	5500-82230	1
51	KNOB	1140-75320	1	111	VALVE	3356-81310	1
52	PLATE,stopper	5500-75170	1	112	SPRING	1850-81270	1
53	PULLEY ASS'Y	1850-75201	1	113	SCREW	1850-81220	1
54	RATCHET	1850-75221	1	114	PIN	3310-81250	1
55	SPRING	1850-75230	1	115	LEVER	3310-81230	1
56	SCREW	0263-90416	4	116	PIN	2629-21130	3
57	CARBURETOR ASS'Y	5501-81000	1				
58	SCREW	1752-81110	2				
59	BRACKET	5500-81120	1				
60	RING	1751-81130	1				

Parts List

Fig.3 ENGINE UNIT BC2600DL

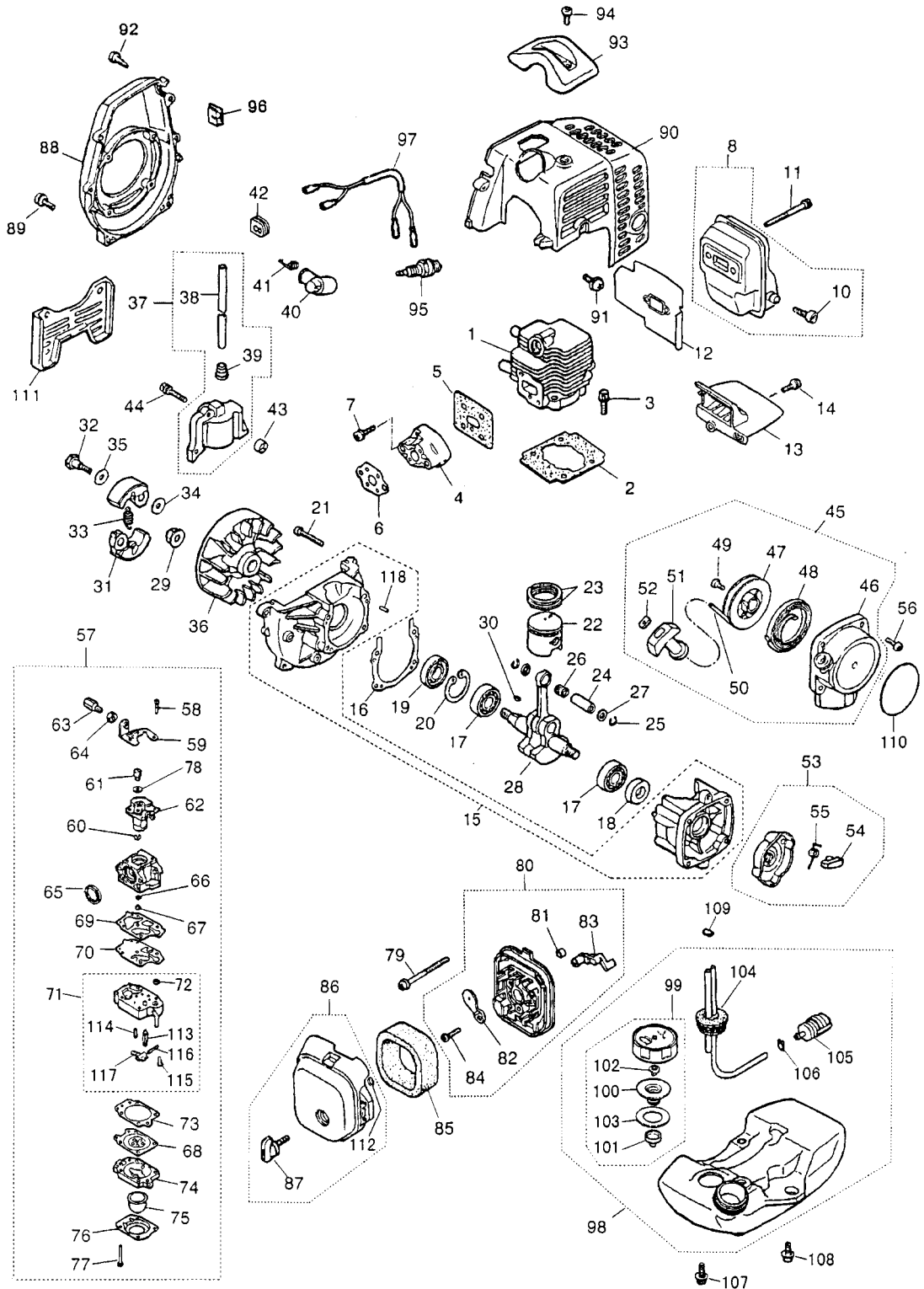


Fig.3 ENGINE UNIT BC2600DL

Key#	Description	Part Number	Q'ty	Key#	Description	Part Number	Q'ty
1	CYLINDER	5911-12110	1	61	SWIVEL	1881-81140	1
2	GASKET,base	5500-12212	1	62	VALVE ASS'Y	_____	1
3	BOLT	1850-12130	2	63	SCREW,adjuster	1918-81170	1
4	INSULATOR	1920-13162	1	64	NUT,adjuster	1751-81180	1
5	GASKET,insulator	5500-13121	1	65	RING	1881-81130	1
6	GASKET,carburetor	5500-13131	1	66	O-RING	1751-81240	1
7	SCREW	0263-90520	2	67	JET	5500-81251	1
8	MUFFLER ASS'Y	5850-15100	1	68	DIAPHRAGM	3310-81260	1
9	_____	_____	—	69	GASKET,pump	1065-81410	1
10	ARRESTER	1601-15120	1	70	DIAPHRAGM,pump	1065-81420	1
11	BOLT	01252-30550	2	71	BODY ASS'Y	1850-81450	1
12	GASKET,muffler	5910-15211	1	72	SCREEN	3306-81380	1
13	PLATE,muffler	5500-15220	1	73	GASKET,diaphragm	1850-81470	1
14	SCREW	0263-90416	1	74	BODY,purge	1850-81490	1
15	CRANKCASE COMP.	5500-21100	1	75	PUMP,priming	1751-81510	1
16	GASKET,case	5500-21141	1	76	COVER,pump	1850-81520	1
17	BEARING	06030-06001	2	77	SCREW	1850-81530	4
18	OIL SEAL	2169-21210	1	78	WASHER	5500-81160	1
19	OIL SEAL	1850-21220	1	79	SCREW	0263-30555	2
20	SNAP RING	04065-02812	1	80	BODY ASS'Y	5500-82102	1
21	SCREW	01252-30530	4	81	SLEEVE	1970-82190	2
22	PISTON	5910-41110	1	82	PLATE,choke	5500-82131	1
23	RING	5910-41210	2	83	LEVER,choke	5500-82140	1
24	PIN	1600-41310	1	84	SCREW	2630-33610	1
25	SNAP RING	1260-41320	2	85	ELEMENT	5500-82171	1
26	BEARING	1140-41330	1	86	COVER ASS'Y	5600-82202	1
27	WASHER	1101-41340	2	87	KNOB	5500-82221	1
28	CRANKSHAFT COMP.	5500-42001	1	88	COVER,fan	5501-31111	1
29	NUT	1650-43230	1	89	SCREW	0263-90520	4
30	KEY	1000-43240	1	90	COVER,engine	5580-32112	1
31	SHOE,clutch	1140-51111	2	91	SCREW	1850-32160	1
32	SCREW	1140-51250	2	92	SCREW	1900-31410	2
33	SPRING	1970-51221	1	93	GUARD,plug	5500-32210	1
34	WASHER	1140-51230	2	94	SCREW	0263-90514	1
35	WASHER	1970-51241	2	95	SPARKPLUG	5602-73110	1
36	ROTOR	5501-71110	1	96	GROMMET	1852-72121	1
37	COIL ASS'Y	5501-71201	1	97	CORD COMP.	5501-73201	1
38	CORD	5500-71220	1	98	TANK ASS'Y	5911-85002	1
39	CAP	2616-71320	1	99	CAP ASS'Y	5601-85200	1
40	CAP,plug	1900-72111	1	100	HOLDER	5601-85230	1
41	SPRING	1900-72120	1	101	CAP,holder	5600-85240	1
42	GROMMET	5500-72130	1	102	VALVE	5600-85250	1
43	SPACER	1260-71261	2	103	PACKING	5500-85220	1
44	BOLT	3310-72150	2	104	PIPE COMP.	5911-85300	1
45	RECOIL ASS'Y	5500-75100	1	105	FILTER ASS'Y	5500-85400	1
46	CASE COMP.	5500-75110	1	106	CLIP	1260-85460	1
47	REEL	1850-75120	1	107	SCREW	5500-85510	2
48	SPRING,spiral	1850-75130	1	108	SCREW	5910-85510	1
49	SCREW	1850-75151	1	109	CLIP	1950-86120	1
50	ROPE	1850-75160	1	110	LABEL	5911-91121	1
51	KNOB	1140-75320	1	111	STAND	1897-31911	1
52	PLATE,stopper	5500-75170	1	112	RING	5500-82230	1
53	PULLEY ASS'Y	1850-75201	1	113	VALVE	3356-81310	1
54	RATCHET	1850-75221	1	114	SPRING	1850-81270	1
55	SPRING	1850-75230	1	115	SCREW	1850-81220	1
56	SCREW	0263-90416	4	116	PIN	3310-81250	1
57	CARBURETOR ASS'Y	5911-81000	1	117	LEVER	3310-81230	1
58	SCREW	1752-81110	2	118	PIN	2629-21130	3
59	BRACKET	5500-81120	1				
60	RING	1751-81130	1				

Parts List

Fig.4 DRIVE UNIT BC3400DL (S/N 980101 and up)

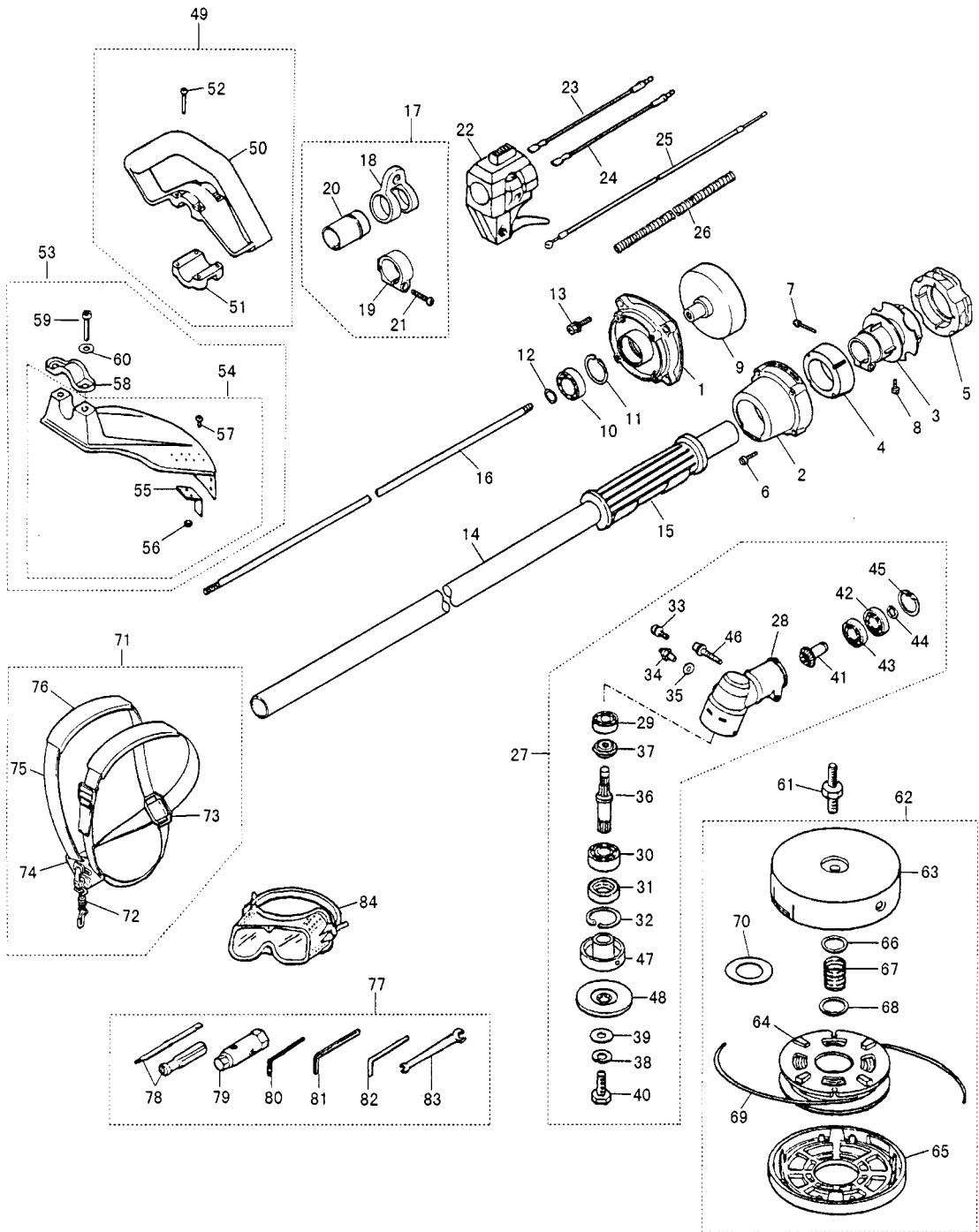


Fig.4 DRIVE UNIT BC3400DL (S/N 980101 and up)

Key#	Description	Part Number	Q'ty	Key#	Description	Part Number	Q'ty
1	HOUSING	4050-11110	1	61	SHAFT	6041-99220	1
2	CAP	4050-11150	1	62	COM.TAP.HEAD 6"	PT100	1
3	JOINT	4050-11210	1	63	• CASE	6041-99111	1
4	ABSORBER-F	4050-11250	1	64	• CORD HOLDER	6041-99140	1
5	ABSORBER-R	4050-11260	1	65	• COVER	6041-99130	1
6	BOLT	01252-30530	4	66	• PLATE	3268-15150	1
7	BOLT	01252-30630	1	67	• SPRING	6041-99161	1
8	BOLT	01252-30510	1	68	• PLATE	3268-15170	1
9	DRUM,clutch	4050-11310	1	69	• CORD	6041-99181	1
10	BEARING	06004-06202	1	70	• SPACER	6460-15210	1
11	SNAPRING	04065-03515	1	71	HARNES ASSY	6565-95200	1
12	SNAPRING	04064-01510	1	72	• HOOK	6565-17210	1
13	BOLT	6468-91150	4	73	• PLATE	6565-17220	1
14	PIPE COMP	4001-12100	1	74	• HANGER COMP	6565-95230	1
15	GRIP	3577-32140	1	75	• BAND	6565-17200-01	1
16	DRIVE SHAFT	4050-12210	1	76	• PROTECTOR	6565-17200-02	1
17	HANGER ASSY	6520-17100	1	77	TOOL SET	3532-91000	1
18	• HANGER	6520-17110	1	78	SCREW DRIVER	1030-91340	1
19	• CLAMP	6520-17120	1	79	SOCKET	3239-91310	1
20	• SPACER	6520-17130	1	80	WRENCH	09007-00425	1
21	• SCREW	0263-90525	1	81	WRENCH	09007-00528	1
22	LEVER ASSY	6232-12400	1	82	BAR	3540-91110	1
23	CORD(A),black	T3003-14420	1	83	SPANNER	3540-91120	1
24	CORD(B),red	T3003-14430	1	84	GOGGLE	6242-92110	1
25	CABLE COMP	1855-82100	1				
26	TUBE	T3003-14510	1				
27	GEARCASE ASSY	T3003-13000	1				
28	• GEARCASE	3541-13114	1				
29	• BEARING	06000-06000	1				
30	• BEARING	06000-06201	1				
31	• SEAL	3180-13141	1				
32	• SNAPRING	04065-03212	1				
33	• BOLT	01252-30510	1				
34	• FITTING,grease	3199-13350	1				
35	• WASHER	01641-20608	1				
36	• SHAFT	4050-13210	1				
37	• GEAR	3180-13220	1				
38	• WASHER	3310-43210	1				
39	• WASHER	01643-30823	1				
40	• BOLT,LH	3579-33260	1				
41	• PINION	3541-13311	1				
42	• BEARING	06001-06000	1				
43	• BEARING	06000-06000	1				
44	• SNAPRING	3180-13330	1				
45	• SNAPRING	04065-02612	1				
46	• BOLT	3540-13260	1				
47	• HOLDER(A)	3541-13241	1				
48	• HOLDER(B)	3541-13251	1				
49	HANDLE ASSY	6462-14100	1				
50	• HANDLE	6462-14310	1				
51	• CLAMP	6462-14320	1				
52	• SCREW	0263-90535	4				
53	GUARD ASSY	6358-24002	1				
54	• GUARD COMP	6538-24102	1				
55	•• BLADE	6041-24140	1				
56	•• NUT	3320-15310	2				
57	•• SCREW	0263-30512	2				
58	• CLAMP	3541-24121	1				
59	• BOLT	3540-24130	2				
60	• WASHER	0290-20615	2				

Parts List

Fig.5 ENGINE UNIT BC3400DL (S/N 980101 and up)

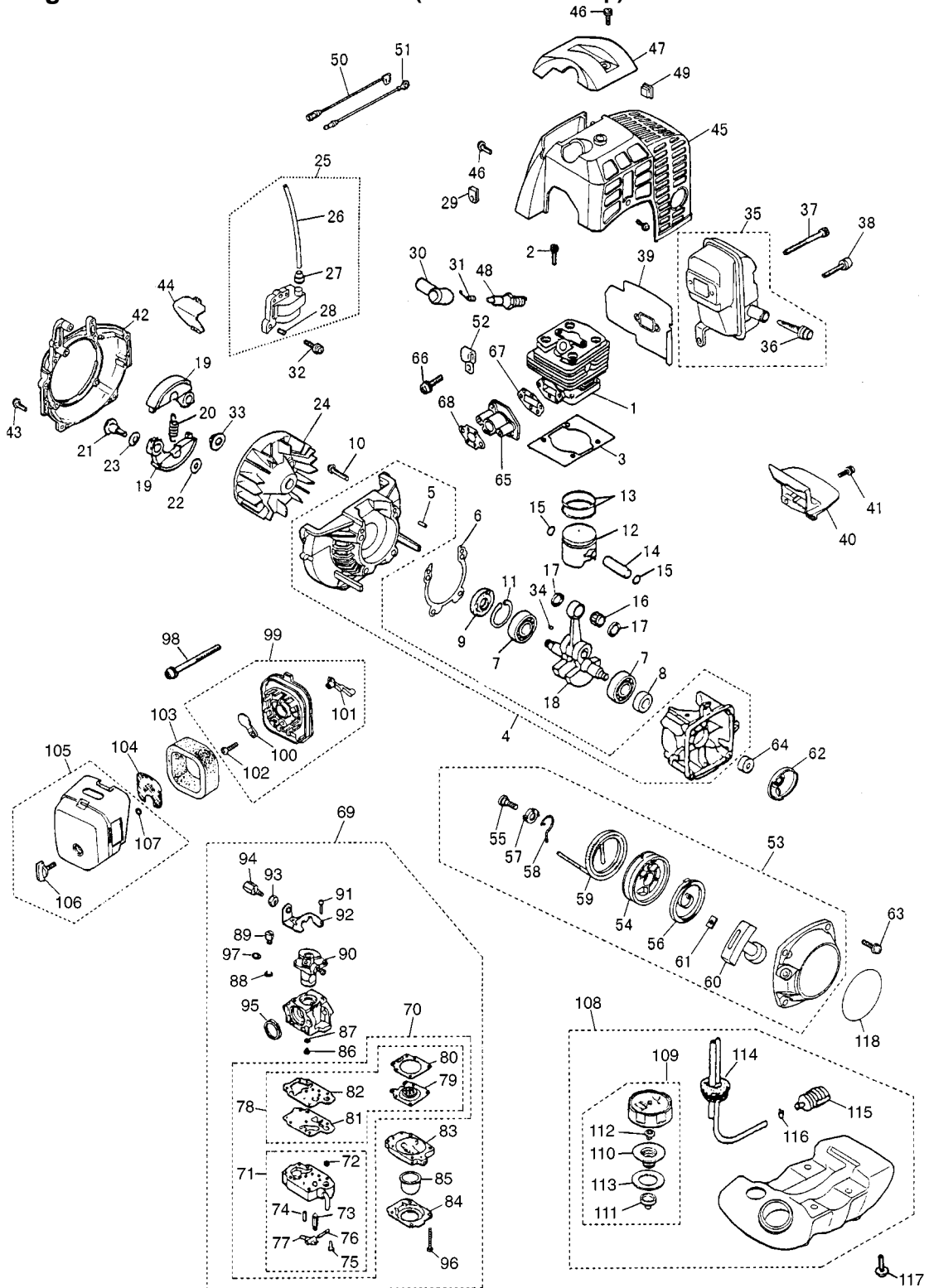


Fig.5 ENGINE UNIT BC3400DL (S/N 980101 and up)

Key#	Description	Part Number	Q'ty	Key#	Description	Part Number	Q'ty
1	CYLINDER	4700-12110	1	61	• PLATE,stopper	5500-75170	1
2	BOLT	3310-12281	4	62	PULLEY	4500-75210	1
3	GASKET,base	4500-13120	1	63	SCREW	4500-75511	4
4	CRANKCASE COMP.	4500-21100	1	64	COLLAR	4700-75310	1
5	• PIN	2629-21130	3	65	INSULATOR	4500-13160	1
6	GASKET,case	4500-21140	1	66	SCREW	4500-13180	2
7	BEARING	06030-06201	2	67	GASKET,insulator	4700-13150	1
8	OIL SEAL	4810-21210	1	68	GASKET,carburetor	4500-13130	1
9	OIL SEAL	1650-21220	1	69	CARBURETOR ASS'Y	T1006-81000	1
10	BOLT	01252-30530	4	70	• REBUILT KIT	5602-06030	1
11	SNAP RING	04065-03212	1	71	•• BODY ASS'Y	1850-81450	1
12	PISTON	4700-41110	1	72	••• SCREEN	_____	-
13	RING	1650-41210	2	73	••• VALVE	_____	-
14	PIN	1030-41310	1	74	••• SPRING	_____	-
15	RING	1300-41320	2	75	••• SCREW	_____	-
16	BEARING	T2100-41410	1	76	••• PIN	_____	-
17	WASHER	2850-41510	2	77	••• LEVER	_____	-
18	CRANKSHAFT COMP.	4500-42000	1	78	•• GASKET KIT	5602-06020	1
19	SHOE,clutch	1400-51111	2	79	••• DIAPHRAGM	_____	-
20	SPRING	1651-51220	1	80	••• GASKET,diaphragm	_____	-
21	SCREW	1200-51211	2	81	••• DIAPHRAGM,pump	_____	-
22	WASHER	1200-51230	2	82	••• GASKET,pump	_____	-
23	WASHER	1200-51241	2	83	• BODY,purge	1850-81490	1
24	ROTOR	4700-71110	1	84	• COVER,pump	1850-81520	1
25	COIL ASS'Y	4700-71200	1	85	• PUMP,priming	1751-81510	1
26	• CORD	4700-71220	1	86	• JET	T1006-81250	1
27	• CAP	4700-71230	1	87	• O-RING	1751-81240	1
28	• PIN	4700-71240	2	88	• RING	1751-81130	1
29	GROMMET	5500-72130	1	89	• SWIVEL	1881-81140	1
30	CAP,plug	1900-72111	1	90	• VALVE ASS'Y	_____	1
31	SPRING	1900-72120	1	91	• SCREW	1752-81110	2
32	BOLT	4500-72150	2	92	• BRACKET	5500-81120	1
33	NUT	1650-43230	1	93	• NUT,adjuster	1751-81180	1
34	KEY	1000-43240	1	94	• SCREW,adjuster	1918-81170	1
35	MUFFLER ASS'Y	T1006-15100	1	95	• RING	1881-81130	1
36	• ARRESTER	1601-15120	1	96	• SCREW	1850-81530	4
37	BOLT	01252-30560	2	97	• WASHER	5500-81160	1
38	BOLT	3310-31720	1	98	SCREW	0263-30550	2
39	GASKET	4700-15210	1	99	BODY ASS'Y	4500-82100	1
40	PLATE	4500-15220	1	100	PLATE,choke	4500-82130	1
41	SCREW	0263-90514	1	101	LEVER,choke	4500-82140	1
42	COVER	4700-31110	1	102	SCREW	2630-33610	1
43	BOLT	3310-12281	4	103	ELEMENT	4500-82170	1
44	PLATE	4700-31210	1	104	SCREEN	4500-82180	1
45	COVER	4500-32110	1	105	COVER ASS'Y	4500-82200	1
46	SCREW	4500-32120	4	106	KNOB	5500-82221	1
47	GUARD	4500-32210	1	107	RING	5500-82230	1
48	SPARKPLUG	5602-73110	1	108	TANK ASS'Y	4700-85000	1
49	GROMMET	1852-72121	1	109	• CAP ASS'Y	4500-85200	1
50	CORD	T1006-73220	1	110	•• HOLDER	4500-85230	1
51	CORD,earth	T1006-73230	1	111	•• CAP	5600-85240	1
52	CLAMP	1140-72231	1	112	•• VALVE	5600-85250	1
53	RECOIL ASS'Y	4500-75100	1	113	•• PACKING	4500-85220	1
54	• REEL	4500-75120	1	114	• PIPE COMP.	5500-85300	1
55	• SCREW	4500-75150	1	115	• FILTER ASS'Y	3302-85400	1
56	• SPRING,spiral	1850-75130	1	116	• CLIP	1260-85460	1
57	• COLLAR	4500-75180	1	117	SCREW	1600-86120	4
58	• ARM	4500-75190	1	118	LABEL,recoil	T1006-75410	1
59	• ROPE	4500-75160	1				
60	• KNOB	1140-75320	1				

Parts List

Fig.6 DRIVE UNIT BC4400DW (S/N 980101 and up)

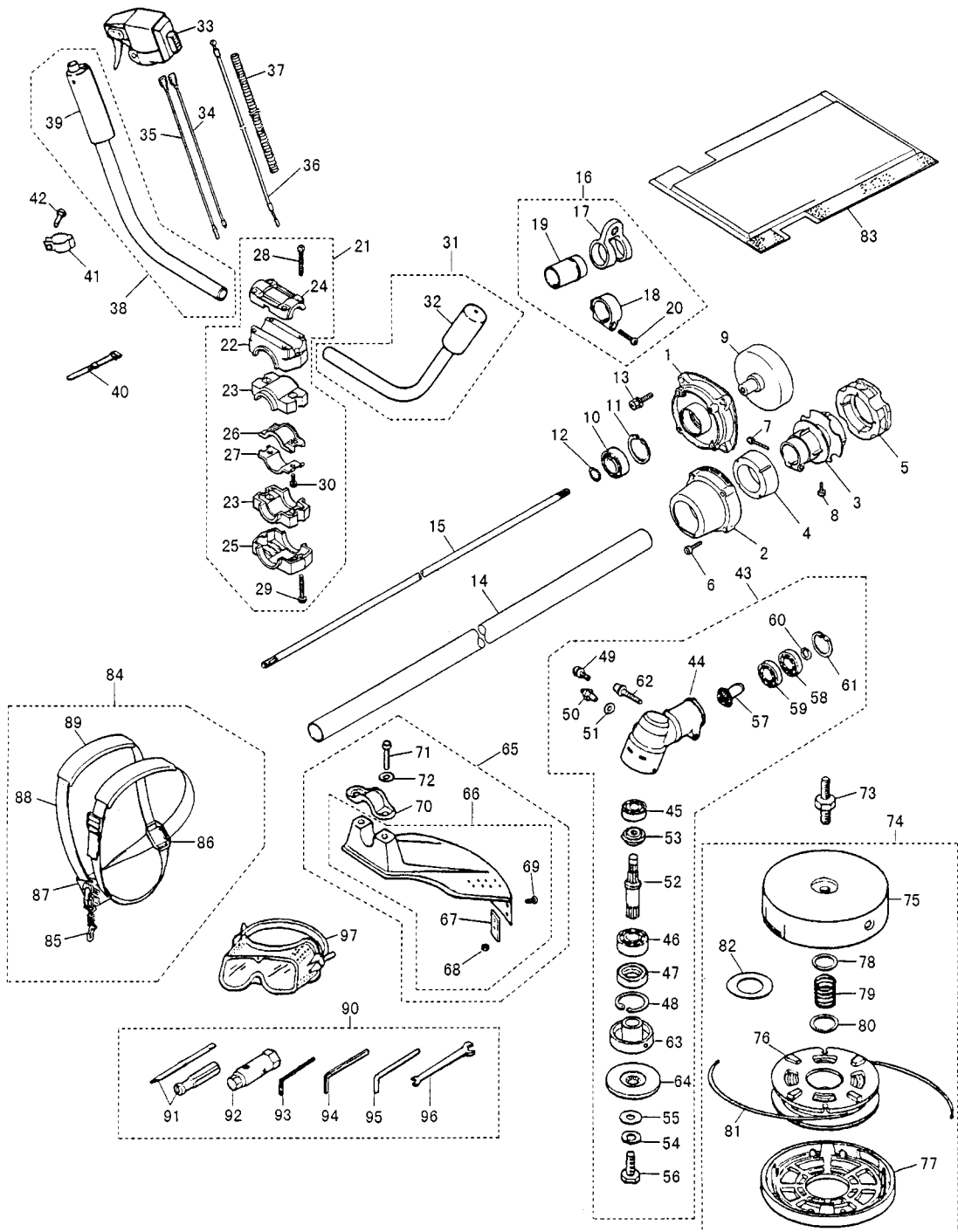


Fig.6 DRIVE UNIT BC4400DW (S/N 980101 and up)

Key#	Description	Part Number	Q'ty	Key#	Description	Part Number	Q'ty
1	HOUSING	4050-11110	1	61	• SNAPRING	04065-02612	1
2	CAP	4050-11150	1	62	• BOLT	3540-13260	1
3	JOINT	4050-11210	1	63	• HOLDER(A)	3541-13241	1
4	ABSORBER-F	4050-11250	1	64	• HOLDER(B)	3541-13251	1
5	ABSORBER-R	4050-11260	1	65	GUARD ASSY	6359-24000	1
6	BOLT	01252-30530	4	66	• GUARD COMP	6359-24100	1
7	BOLT	01252-30630	1	67	•• BLADE	6357-24150	1
8	BOLT	01252-30510	1	68	•• NUT	3320-15310	2
9	DRUM,clutch	4050-11310	1	69	•• SCREW	0263-30512	2
10	BEARING	06004-06202	1	70	• CLAMP	3541-24121	1
11	SNAPRING	04065-03515	1	71	• BOLT	3540-24130	2
12	SNAPRING	04064-01510	1	72	• WASHER	0290-20615	2
13	BOLT	6468-91150	4	73	SHAFT	6041-99220	1
14	PIPE COMP	4050-12100	1	74	COM.TAP.HEAD 6"	PT100	1
15	DRIVE SHAFT	3540-12211	1	75	• CASE	6041-99111	1
16	HANGER ASSY	6520-17100	1	76	• CORD HOLDER	6041-99140	1
17	• HANGER	6520-17110	1	77	• COVER	6041-99130	1
18	• CLAMP	6520-17120	1	78	• PLATE	3268-15150	1
19	• SPACER	6520-17130	1	79	• SPRING	6041-99161	1
20	• SCREW	0263-90525	1	80	• PLATE	3268-15170	1
21	BRACKET ASSY	4050-14101	1	81	• CORD	6041-99181	1
22	• BRACKET	4050-14111	1	82	• SPACER	6460-15210	1
23	• ABSORBER	4050-14140	2	83	PROTECTOR	4050-17110	1
24	• CAP,Upper	3257-14192	1	84	HARNES ASSY	6565-95200	1
25	• CAP,Lower	4050-14121	1	85	• HOOK	6565-17210	1
26	• CLAMP(A)	4050-14150	1	86	• PLATE	6565-17220	1
27	• CLAMP(B)	4050-14160	1	87	• HANGER COMP	6565-95230	1
28	• BOLT	01252-30525	4	88	• BAND	6565-17200-01	1
29	• BOLT	01252-30535	2	89	• PROTECTOR	6565-17200-02	1
30	• BOLT	01252-30514	2	90	TOOL SET	3532-91000	1
31	HANDLE COMP,Left	3540-14200	1	91	• SCREW DRIVER	1030-91340	1
32	• GRIP	3540-14220	1	92	• SOCKET	3239-91310	1
33	LEVER ASSY	6234-14601	1	93	• WRENCH	09007-00425	1
34	CORD(A),black	T3004-14710	1	94	• WRENCH	09007-00528	1
35	CORD(B),red	T3004-14720	1	95	• BAR	3540-91110	1
36	CABLE COMP	5915-83100	1	96	• SPANNER	3540-91120	1
37	TUBE	T3004-14810	1	97	GOGGLE	6242-92110	1
38	HANDLE COMP,Right	6242-14400	1				
39	• GRIP	3540-14321	1				
40	BAND	3540-93120	1				
41	CLAMP	3260-14251	1				
42	SCREW	0260-00516	1				
43	GEARCASE ASSY	T3003-13000	1				
44	• GEARCASE	3541-13114	1				
45	• BEARING	06000-06000	1				
46	• BEARING	06000-06201	1				
47	• SEAL	3180-13141	1				
48	• SNAPRING	04065-03212	1				
49	• BOLT	01252-30510	1				
50	• FITTING,grease	3199-13350	1				
51	• WASHER	01641-20608	1				
52	• SHAFT	4050-13210	1				
53	• GEAR	3180-13220	1				
54	• WASHER	3310-43210	1				
55	• WASHER	01643-30823	1				
56	• BOLT,LH	3579-33260	1				
57	• PINION	3541-13311	1				
58	• BEARING	06001-06000	1				
59	• BEARING	06000-06000	1				
60	• SNAPRING	3180-13330	1				

Parts List

Fig.7 ENGINE UNIT BC4400DW (S/N 980101 and up)

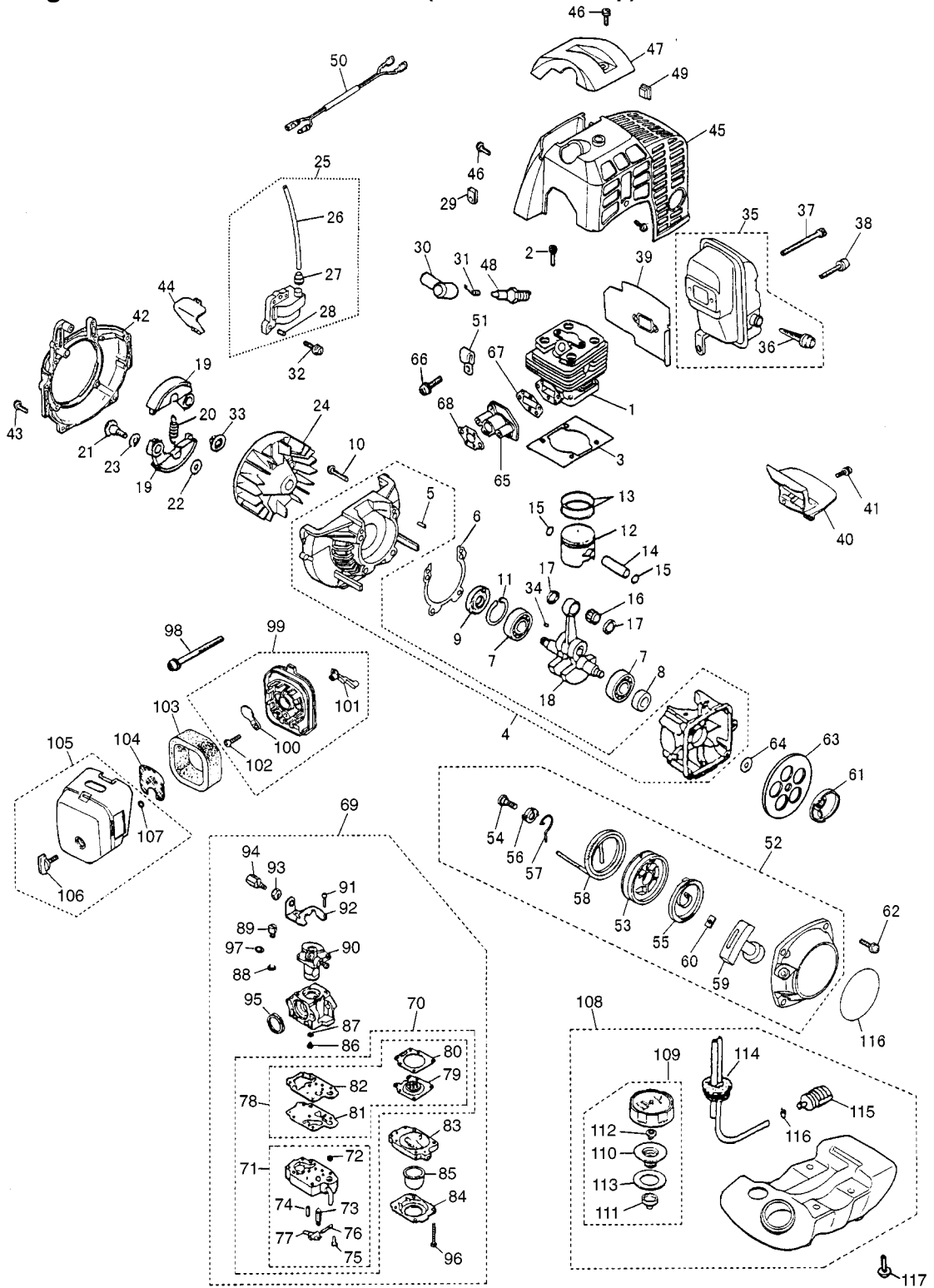


Fig.7 ENGINE UNIT BC4400DW (S/N 980101 and up)

Key#	Description	Part Number	Q'ty	Key#	Description	Part Number	Q'ty
1	CYLINDER	4500-12110	1	61	PULLEY	4500-75210	1
2	BOLT	3310-12281	4	62	SCREW	4500-75511	4
3	GASKET,base	4500-13120	1	63	PLATE	4500-75310	1
4	CRANKCASE COMP.	4500-21100	1	64	WASHER	01643-20823	1
5	• PIN	2629-21130	3	65	INSULATOR	4500-13160	1
6	GASKET,case	4500-21140	1	66	SCREW	4500-13180	2
7	BEARING	06030-06201	2	67	GASKET,insulator	4500-13150	1
8	OIL SEAL	4810-21210	1	68	GASKET,carburetor	4500-13130	1
9	OIL SEAL	1650-21220	1	69	CARBURETOR ASS'Y	T1007-81000	1
10	BOLT	01252-30530	4	70	• REBUILT KIT	5602-06030	1
11	SNAP RING	04065-03212	1	71	•• BODY ASS'Y	1850-81450	1
12	PISTON	4500-41110	1	72	••• SCREEN	_____	—
13	RING	1400-41220	2	73	••• VALVE	_____	—
14	PIN	2850-41310	1	74	••• SPRING	_____	—
15	RING	1300-41320	2	75	••• SCREW	_____	—
16	BEARING	T2100-41410	1	76	••• PIN	_____	—
17	WASHER	2850-41510	2	77	••• LEVER	_____	—
18	CRANKSHAFT COMP.	4500-42000	1	78	•• GASKET KIT	5602-06020	1
19	SHOE,clutch	4500-51110	2	79	••• DIAPHRAGM	_____	—
20	SPRING	4500-51220	1	80	••• GASKET,diaphragm	_____	—
21	SCREW	1200-51211	2	81	••• DIAPHRAGM,pump	_____	—
22	WASHER	1200-51230	2	82	••• GASKET,pump	_____	—
23	WASHER	1200-51241	2	83	• BODY,purge	1850-81490	1
24	ROTOR	4500-71110	1	84	• COVER,pump	1850-81520	1
25	COIL ASS'Y	4500-71200	1	85	• PUMP,priming	1751-81510	1
26	• CORD	4500-71220	1	86	• JET	T1007-81250	1
27	• CAP	2616-71320	1	87	• O-RING	1751-81240	1
28	• PIN	3356-21130	2	88	• RING	1751-81130	1
29	GROMMET	5500-72130	1	89	• SWIVEL	1881-81140	1
30	CAP,plug	1900-72111	1	90	• VALVE ASS'Y	_____	1
31	SPRING	1900-72120	1	91	• SCREW	1752-81110	2
32	BOLT	4500-72150	2	92	• BRACKET	5500-81120	1
33	NUT	1650-43230	1	93	• NUT,adjuster	1751-81180	1
34	KEY	1000-43240	1	94	• SCREW,adjuster	1918-81170	1
35	MUFFLER ASS'Y	T1007-15100	1	95	• RING	1881-81130	1
36	• ARRESTER	1601-15120	1	96	• SCREW	1850-81530	4
37	BOLT	01252-30565	2	97	• WASHER	5500-81160	1
38	BOLT	3310-31720	1	98	SCREW	0263-30550	2
39	GASKET,muffler	4700-15210	1	99	BODY ASS'Y	4500-82100	1
40	PLATE,muffler	4500-15220	1	100	• PLATE,choke	4500-82130	1
41	SCREW	0263-90514	1	101	• LEVER,choke	4500-82140	1
42	COVER	4500-31110	1	102	• SCREW	2630-33610	1
43	BOLT	3310-12281	4	103	ELEMENT	4500-82170	1
44	PLATE	4500-31210	1	104	SCREEN	4500-82180	1
45	COVER	4500-32110	1	105	COVER ASS'Y	4500-82200	1
46	SCREW	4500-32120	4	106	• KNOB	5500-82221	1
47	GUARD	4500-32210	1	107	• RING	5500-82230	1
48	SPARKPLUG	5602-73110	1	108	TANK ASS'Y	4500-85000	1
49	GROMMET	1852-72121	1	109	• CAP ASS'Y	4500-85200	1
50	CORD COMP.	T1007-73200	1	110	•• HOLDER	4500-85230	1
51	CLAMP	1140-72231	1	111	•• CAP	5600-85240	1
52	RECOIL ASS'Y	4500-75100	1	112	•• VALVE	5600-85250	1
53	• REEL	4500-75120	1	113	•• PACKING	4500-85220	1
54	• SCREW	4500-75150	1	114	• PIPE COMP.	5500-85300	1
55	• SPRING,spiral	1850-75130	1	115	• FILTER ASS'Y	3302-85400	1
56	• COLLAR	4500-75180	1	116	• CLIP	1260-85460	1
57	• ARM	4500-75190	1	117	SCREW	1600-86120	4
58	• ROPE	4500-75160	1	118	LABEL	T1007-75410	1
59	• KNOB	1140-75320	1				
60	• PLATE,stopper	5500-75170	1				