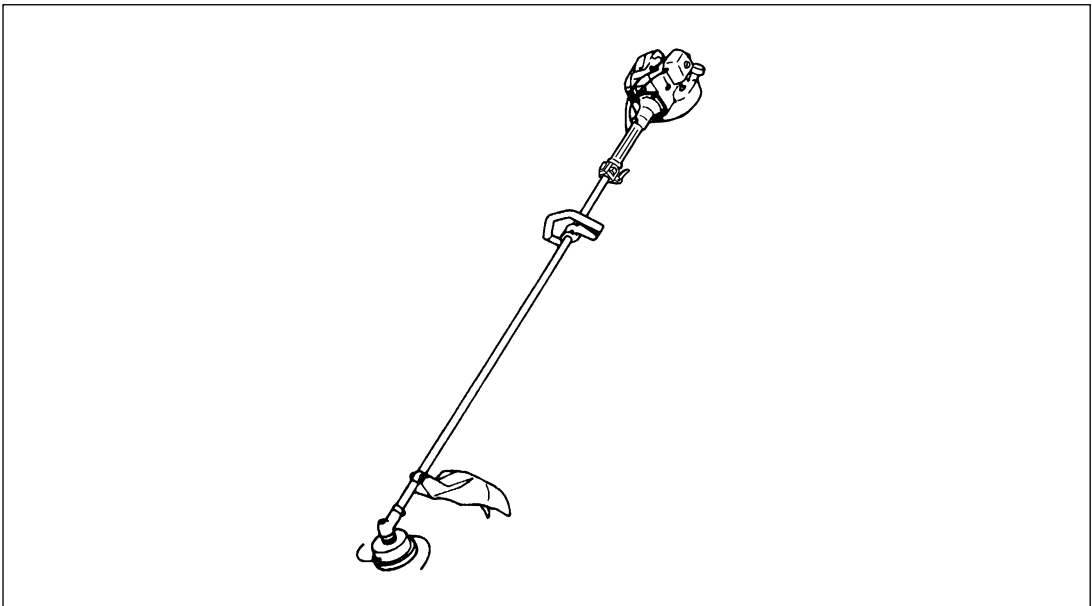




OWNER/OPERATOR MANUAL

BRUSHCUTTERS

BC225DL



WARNING



The engine exhaust from this product contains chemicals known to the State of California to cause cancer, birth defects or other reproductive harm.



WARNING



Before using our products, please read this manual carefully to understand the proper use of your unit.


APPLICABLE SERIAL NUMBERS :

DRIVE UNIT 120000 and up

ENGINE UNIT 000101 and up



SAFETY FIRST

Instructions contained in warnings within this manual marked with a  symbol concern critical points which must be taken into consideration to prevent possible serious bodily injury, and for this reason you are requested to read all such instructions carefully and follow them without fail.

■ **WARNINGS IN THE MANUAL**



This mark indicates instructions which must be followed in order to prevent accidents which could lead to serious bodily injury or death.



This mark indicates instructions which must be followed, or it leads to mechanical failure, breakdown, or damage.

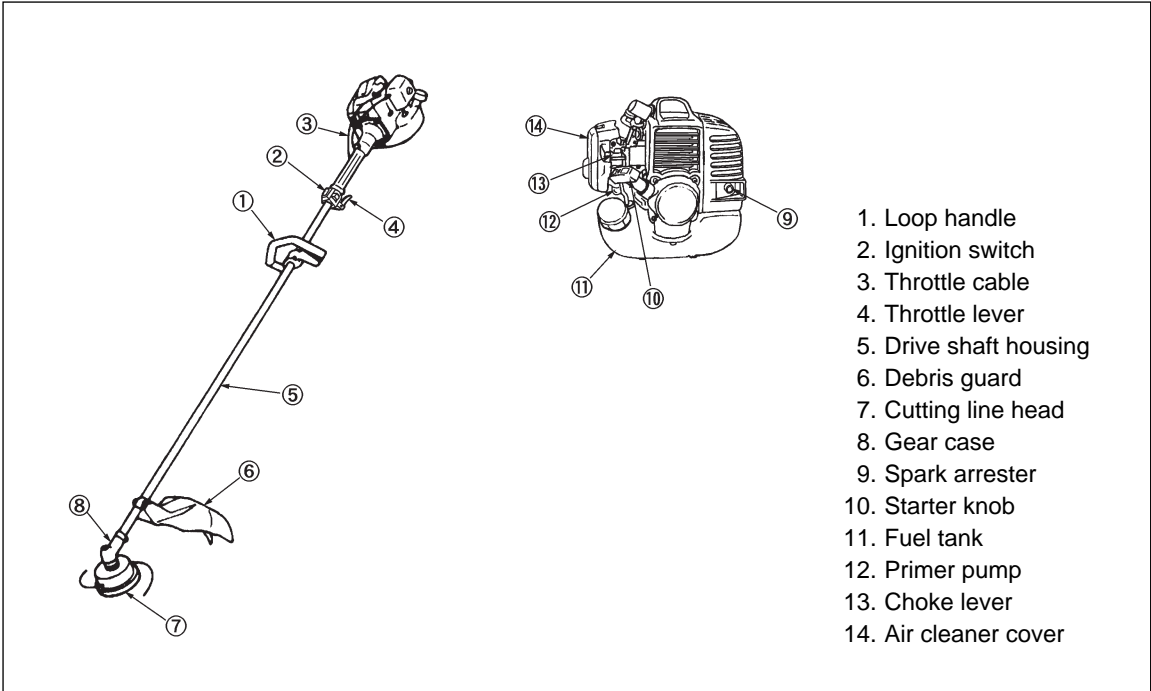


This mark indicates hints or directions useful in the use of the product.

CONTENTS

1. Parts location	4
2. Specifications	4
3. Warning labels on the machine	5
4. Symbols on the machine	6
5. For safe operation	7
6. Set up	13
7. Fuel	15
8. Operation	17
9. Maintenance	20
10. Storage	24
11. Optional blade usage	25
12. Troubleshooting guide	30
13. Parts list	31

1. Parts location



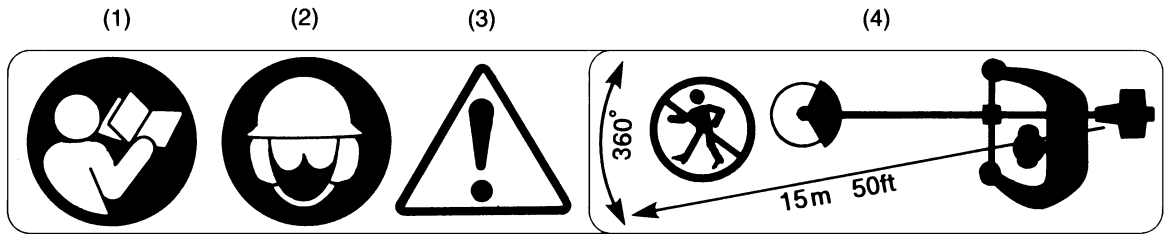
2. Specifications

■ **BC225DL**

Overall size(LxWxH).....	70.8(1800)x12.8(325)x13.0(330) in(mm)
Dry weight w/o acc.....	10.0 lbs (5.0kg)
Engine Type.....	Air-cooled 2-stroke gasoline
Model	Zenoah G24LS
Displacement	1.4cu-in (22.5cm ³)
Max. output.....	1.08Hp at 8000 rpm
Fuel	Mixture(Gasoline 50 : Oil 1)
Carburetor	Walbro Diaphragm type
Spark plug	Champion RCJ6Y
Fuel tank capacity.....	20.3 fl.oz (0.6ℓ)
Transmission.....	Centrifugal clutch, Rigid driveshaft
Reduction ratio	1.462
Cutting head rotating direction	Counter-clockwise(Operator view)
Durability period.....	300hrs.
Standard Accessories	
4 in. 2-line Head	1 pc.
Goggle.....	1 pc.

Specifications are subject to change without notice.

3. Warning labels on the machine



- (1) Read owner's manual before operating this machine.
- (2) Wear head, eye and ear protection.
- (3) Warning/Attention
- (4) Keep all children, bystanders and helpers 15 meters away from the brushcutter

! IMPORTANT

If warning label peel off or become soiled and impossible to read, you should contact the dealer from which you purchased the product to order new labels and affix them in the required location(s).

! WARNING

Never modify your brushcutter.

We won't warrant the machine, if you use the remodeled brushcutter or you don't observe the proper usage written in the manual.

4. Symbols on the machine



(a)

For safe operation and maintenance, symbols are carved in relief on the machine. According to these indications, please be careful not to make a mistake.

(a) The port to refuel the "MIX GASOLINE"

Position: FUEL TANK CAP



(b)

(b) The direction to close the choke

Position: AIR CLEANER COVER



(c)

(c) The direction to open the choke

Position: AIR CLEANER COVER

IMPORTANT ENGINE INFORMATION

THIS ENGINE MEETS U.S. EPA PH1 AND 2001 CALIFORNIA EMISSION REGULATIONS FOR SMALL OFF-ROAD ENGINES WITH AN EMISSION DURABILITY PERIOD OF 300 HOURS.

ENGINE FAMILY : 1KZXS. 0254CD

ENGINE DISPLACEMENT : 22.5cc

REFER TO OWNER'S MANUAL FOR MAINTENANCE SPECIFICATIONS AND ADJUSTMENTS.

MANUFACTURED

ZENOAH
KOMATSU

KOMATSU ZENOAH CO.

RedMax Made in Japan

INFORMATION IMPORTANTE CONCERNANT LE MOTEUR

Ce moteur est conforme aux normes U.S. EPA PH1 et 2001 ainsi qu'aux autres dispositions ultérieures de la réglementation concernant la pollution de l'air pour les petits moteurs tout-terrain avec une période de durabilité pour les émissions de 300 heures.

Type de moteur : 1KZXS. 0254CD

Cylindrée du moteur : 22,5cc

Se référer au Manuel de l'utilisateur pour les spécifications d'entretien et les réglages.

Manufacturé

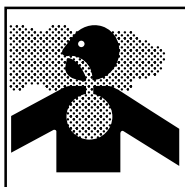
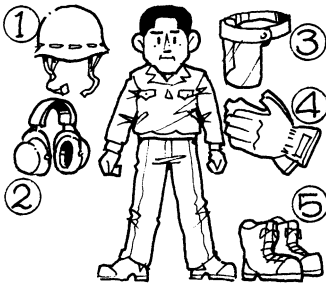
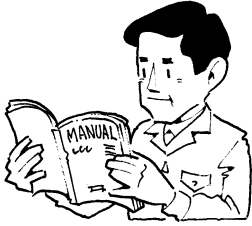
ZENOAH
KOMATSU

KOMATSU ZENOAH CO.

RedMax Made in Japan



5. For safe operation



1. Read this manual carefully until you completely understand and follow all safety and operating instructions.
2. Keep this manual handy so that you may refer to it later whenever any questions arise. Also note, if you have any questions which cannot be answered herein, contact the dealer from whom you purchased the product.
3. Always be sure to include this manual when selling, lending, or otherwise transferring the ownership of this product.
4. Never allow children or anyone unable to fully understand the directions given in the manual to use the machine.

■ WORKING CONDITION

1. When using the product, you should wear proper clothing and protective equipment.

(1) Helmet

(2) Ear protectors

(3) Protection goggles or face protector

(4) Thick work gloves

(5) Non-slip-sole work boots

2. And you should carry with you.

- (1) Attached tools and files
- (2) Properly reserved fuel
- (3) Spare blade
- (4) Things to notify your working area (rope, warning signs)
- (5) Whistle (for collaboration or emergency)
- (6) Hatchet or saw (for removal of obstacles)

3. Do not wear loose clothing, jewelry, short trousers, sandals, or go barefoot. Do not wear anything which might be caught by a moving part of the unit. Secure hair so it is above shoulder length.

■ WORKING CIRCUMSTANCE

1. Never start the engine inside a closed room or building. Exhaust gases contain dangerous carbon monoxide.
2. Never use the product,
 - a. when the ground is slippery or when you can't maintain a steady posture.



5. For safe operation



- b. At night, at times of heavy fog, or at any other times when your field of vision might be limited and it would be difficult to gain a clear view of the working area.
- c. During rain storms, during lightning storms, at times of strong or gale-force winds, or at any other times when weather conditions might make it unsafe to use the product.



■ WORKING PLAN

1. You should never use the product when under the influence of alcohol, when suffering from exhaustion or lack of sleep, when suffering from drowsiness as a result of having taken cold medicine or at any other time when a possibility exists that your judgment might be impaired or that you might not be able to operate the product properly and in a safe manner.
2. When planning your work schedule, allow plenty of time to rest. Limit the amount of time over which the product is to be used continuously to somewhere around 30~40 minutes per session, and take 10~20 minutes of rest between work sessions. Also try to keep the total amount of work performed in a single day under 2 hours or less.



▲ WARNING

1. If you don't observe the working time, or working manner (See ■USING THE PRODUCT), Repetitive Stress Injury(RSI) could occur.
If you feel discomfort, redness and swelling of your fingers or any other part of your body, see a doctor before getting worse.
2. To avoid noise complaints, in general, operate product between 8a.m. and 5p.m. on weekdays and 9a.m. to 5p.m. weekends.

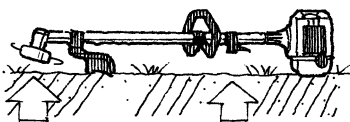
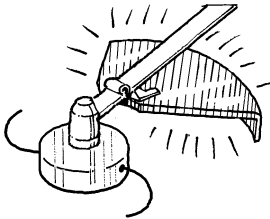
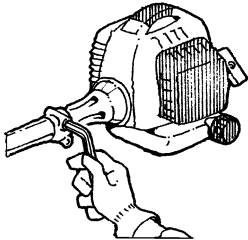
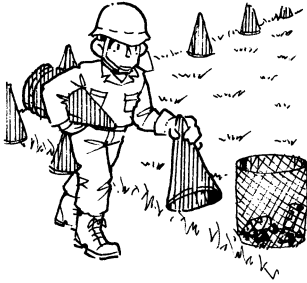


📖 NOTE

Check and follow the local regulations as to sound level and hours of operations for the product.



5. For safe operation



■ BEFORE STARTING THE ENGINE

1. The area within a perimeter of 50 feet (15m) of the person using the product should be considered a hazardous area into which no one should enter. If necessary yellow warning rope, warning signs should be placed around the perimeter of the area. When work is to be performed simultaneously by two or more persons, care should also be taken to constantly look around or otherwise check for the presence and locations of other people working so as to maintain a distance between each person sufficient to ensure safety.
2. Check the condition of working area to avoid any accident by hitting hidden obstacles such as stumps, stones, cans, or broken grass.

! IMPORTANT

Remove any obstacle before beginning work.

3. Inspect the entire unit for loose fasteners and fuel leakage. Make sure that the cutting attachment is properly installed and securely fastened.
4. Be sure the debris guard is firmly attached in place.
5. If the cutting head is the metal blade, use the shoulder strap. Adjust the strap for comfort before starting the engine. The strap should be adjusted so the left hand can comfortably hold the handlebar grip approximately waist high.

■ STARTING THE ENGINE

1. Keep bystanders and animals at least 50feet (15m) away from the operating point. If you are approached, immediately stop the engine.
2. The product is equipped with a centrifugal clutch mechanism, so the cutting attachment begins to rotate as soon as the engine is started by putting the throttle into the start position. When starting the engine, place the product onto the ground in a flat clear area and hold it firmly in place so as to ensure that neither the cutting part nor the throttle come into contact with any obstacle when the engine starts.

5. For safe operation

WARNING

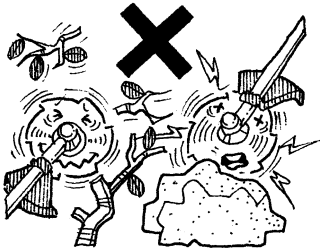
Never place the throttle into the high speed position when starting the engine.

3. After starting the engine, check to make sure that the cutting attachment stops rotating when the throttle is moved fully back to its original position. If it continues to rotate even after the throttle has been moved fully back, turn off the engine and take the unit to your authorized Red Max servicing dealer for repair.

■ USING THE PRODUCT

IMPORTANT

Cut only materials recommended by the manufacturer. And use only for tasks explained in the manual.



1. Grip the handles firmly with both hands using your whole hand. Place your feet slightly apart (slightly further apart than the width of your shoulders) so that your weight is distributed evenly across both legs, and always be sure to maintain a steady, even posture while working.
2. Keep cutting attachment below waist level.
3. Maintain the speed of the engine at the level required to perform cutting work, and never raise the speed of the engine above the level necessary.
4. If the unit start to shake or vibrate, turn off the engine and check the whole unit. Do not use it until the trouble has been properly corrected.
5. Keep all parts of your body away from rotating cutting attachment and hot surfaces.
6. Never touch the muffler, spark plug, or other metallic parts of the engine while the engine is in operation or immediately after shutting down the engine. Doing so could result in serious burns or electrical shock.



5. For safe operation

• IF SOMEONE COMES

1. Guard against hazardous situations at all times. Warn adults to keep pets and children away from the area. Be careful if you are approached. Injury may result from flying debris.
2. If someone calls out or otherwise interrupts you while working, always be sure to turn off the engine before turning around.



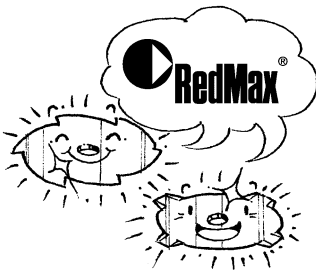
■ MAINTENANCE

1. In order to maintain your product in proper working order, perform the maintenance and checking operations described in the manual at regular intervals.
2. Always be sure to turn off the engine before performing any maintenance or checking procedures.



WARNING

The metallic parts reach high temperatures immediately after stopping the engine.



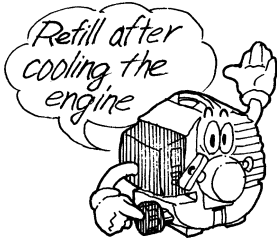
3. When replacing the cutting attachment or any other part, or when replacing the oil or any lubricant, always be sure to **use only RedMax products or products which have been certified by RedMax for use with the RedMax product.**
4. In the event that any part must be replaced or any maintenance or repair work not described in this manual must be performed, please contact a representative from the store nearest RedMax authorized servicing dealer for assistance.
5. Do not use any accessory or attachment other than those bearing the RedMax mark and recommended for the unit.
6. Under no circumstances should you ever take apart the product or alter it in any way. Doing so might result in the product becoming damaged during operation or the product becoming unable to operate properly.

■ HANDLING FUEL

1. The engine of the RedMax product is designed to run on a mixed fuel which contains highly flammable gasoline. Never store cans of fuel or



5. For safe operation



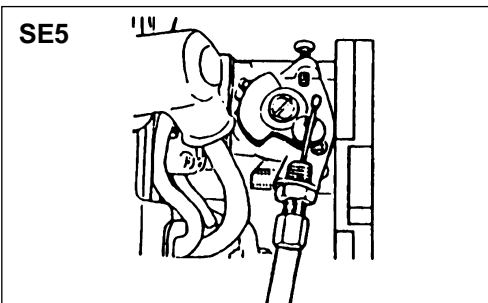
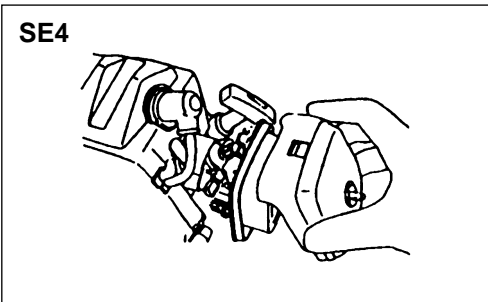
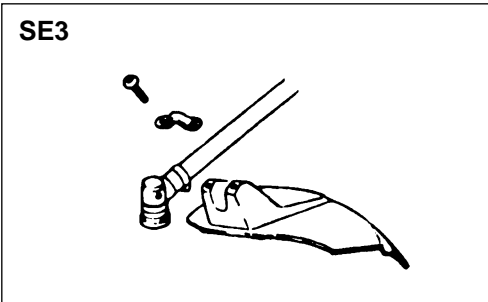
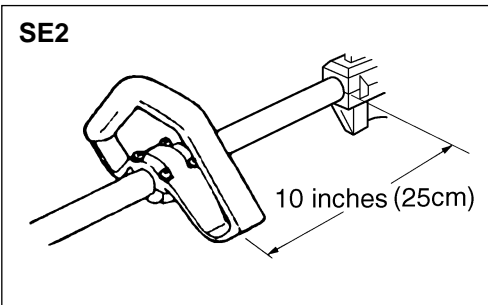
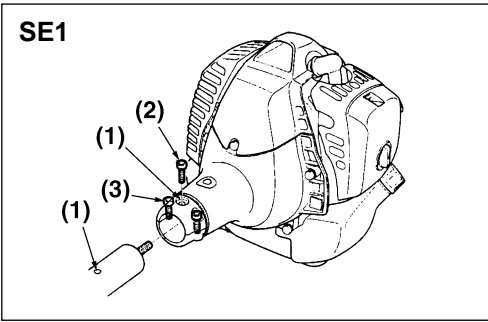
refill the tank of the unit in any place where there is a boiler, stove, wood fire, electrical sparks, welding sparks, or any other source of heat or fire which might ignite the fuel.

2. Never smoke while operating the unit or refilling its fuel tank.
3. When refilling the tank, always turn off the engine and allow it to cool down. Take a careful look around to make sure that there are no sparks or open flames anywhere nearby before refueling.
4. Wipe spilled fuel completely using a dry rag if any fuel spillage occurs during refueling.
5. After refueling, screw the fuel cap back tightly onto the fuel tank and then carry the unit to a spot 10feet (3m) or more away from where it was refueled before turning on the engine.

■ TRANSPORTATION

1. When hand-carrying the product, cover over the cutting part if necessary, lift up the product and carry it paying attention to the blade.
2. Never transport the product over rough roads over long distances by vehicle without removing all fuel from the fuel tank. If doing so, fuel might leak from the tank during transport.

6. Set up



■ MOUNTING ENGINE (SE1)

1. Loosen the bolts temporarily attached to the clutch housing.
2. Push the driveshaft toward the gearcase and rotate it by hand to check that the driveshaft is engaged with the gears.
3. Insert the shaft tube into the clutch housing until it bottoms. When difficult to engage, twist the engine slightly.
4. Align the positioning holes on the clutch housing and the shaft tube and fit the bolt into the holes. And fasten the tightening bolts by turns securely.

(Tightning torque: 4.9~7.8 N.m. (0.5~0.8kg-m))

(1) Positioning hole

(2) Bolt (M5x10)

(3) Tightning bolt (M5x22)

■ INSTALLING HANDLE (SE2)

- Mount the handle to the shaft tube and clamp it at your best operating position.

■ INSTALLING DEBRIS GUARD (SE3)

- Put the debris guard on the shaft tube near the gear box, attach it with the 2 screws and hardware provided.

■ CONNECTING THROTTLE WIRE

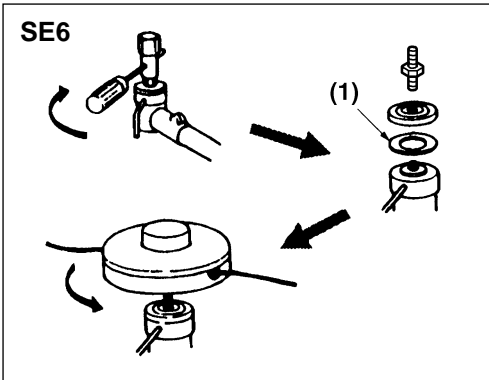
1. Remove the air cleaner cover. (SE4)

2. Connect the end of the throttle wire to the joint on the top of the carburetor. (SE5)

■ CONNECTING SWITCH WIRES

- Connect the switch wires between the engine and the main unit. Pair the wires of the same color.

6. Set up

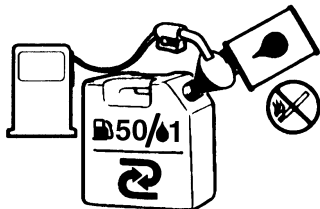


■ INSTALLING CUTTING HEAD (SE6)

1. While locking the gear shaft by inserting the attached bar into the upper holder and the gear box, loosen and remove the hexagon bolt(left-handed)
2. Fit the spacer attached to the head assembly between the upper and lower holders. Then screw in the cutting head to the gear shaft over the holders. Hand-tighten it securely.

(1) Spacer

7. Fuel



50:1 MIXING CHART

GASOLINE gal.	1	2	3	4	5
2-CYCLE OIL fl.oz	2.6	5.2	7.8	10.4	13

GASOLINE liter	1	2	3	4	5
2-CYCLE OIL ml	20	40	60	80	100

⚠ WARNING

- Gasoline is very flammable. Avoid smoking or bringing any flame or sparks near fuel. Make sure to stop the engine and allow it cool before refueling the unit. Select outdoor bare ground for fueling and move at least 3m(10ft) away from the fueling point before starting the engine.
- The RedMax engines are lubricated by oil specially formulated for air-cooled 2-cycle gasoline engine use. If RedMax oil is not available, use an anti-oxidant added quality oil expressly labeled for air-cooled 2-cycle engine use. (JASO FC GRADE OIL or ISO EGC GRADE)

RECOMMENDED MIXING RATIO GASOLINE 50:OIL 1

- Exhaust emission are controlled by the fundamental engine parameters and components(eq., carburation, ignition timing and port timing) without addition of any major hardware or the introduction of an inert material during combustion.
- These engines are certified to operate on unleaded gasoline.
- Make sure to use gasoline with a minimum octane number of 90 ROZ(USA/Canada : pump octane min.87)
- Unleaded gasoline is recommended to reduce the contamination of the air for the sake of your health and the environment.
- Poor quality gasolines or oils may damage sealing rings, fuel lines or fuel tank of the engine.

■ HOW TO MIX FUEL

1. Measure out the quantities of gasoline and oil to be mixed.
2. Put some of the gasoline into a clean, approved fuel container.
3. Pour in all of the oil and agitate well.
4. Pour in the rest of gasoline and agitate again for

7. Fuel

- at least one minute.
- 5. Put a clear indication on the outside of the container to avoid mixing up with gasoline or other containers.
- 6. Indicate the contents on outside of container for easy identification.

■ FUELING THE UNIT

1. Untwist and remove the fuel cap. Rest the cap on a dustless place.
2. Put fuel into the fuel tank to 80% of the full capacity.
3. Fasten the fuel cap securely and wipe up any fuel spillage around the unit.

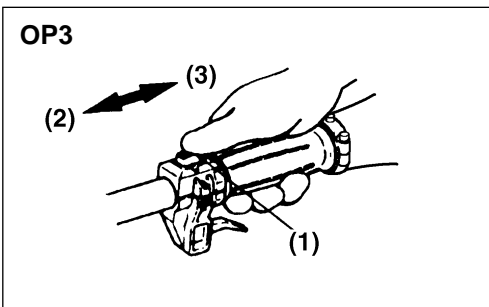
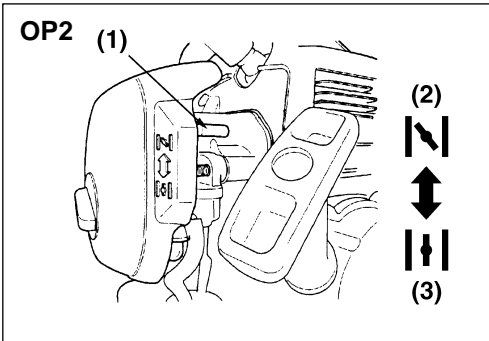
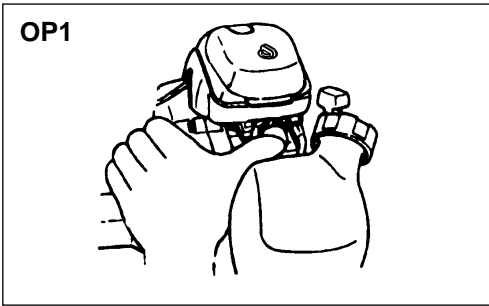


1. **Select bare ground for fueling.**
2. **Move at least 10 feet (3 meters) away from the fueling point before starting the engine.**
3. **Stop the engine before refueling the unit.**

FOR YOUR ENGINE LIFE, AVOID;

1. FUEL WITH NO OIL(RAW GASOLINE) – It will cause severe damage to the internal engine parts very quickly.
2. GASOHOL – It can cause deterioration of rubber and/or plastic parts and disruption of engine lubrication.
3. OIL FOR 4-CYCLE ENGINE USE or WATER COOLED 2-CYCLE ENGINE USE – It can cause spark plug fouling, exhaust port blocking, or piston ring sticking.
4. **Mixed fuels which have been left unused for a period of one month or more** may clog the carburetor and result in the engine failing to operate properly.

8. Operation



■ STARTING ENGINE

1. Rest the unit on a flat, firm place. Keep the cutting head off the ground and clear of surrounding objects as it will start rotating upon starting of the engine.
2. Pump the primer until fuel flows out in the clear tube. (OP1)
3. Move the choke lever upward to close the choke. (OP2)

(1) Choke lever

(2) Close

(3) Open

4. Shift the ignition switch to the START position. (OP3)

(1) Ignition switch

(2) Stop

(3) Start

5. While pulling the throttle lever with the little finger of your left hand, pull the starter rope. (OP4)

NOTE

- Avoid pulling the rope to its end or returning it by releasing the knob. Such actions can cause starter failures.

6. When the engine has started, move the choke lever gradually downward to open the choke.

7. Allow the engine to warm up for a half minute before starting operation.

NOTE

1. When restarting the engine immediately after stopping it, leave the choke open.
2. Overchoking can make the engine hard to start due to excess fuel. When the engine failed to start after several attempts, open the choke and repeat pulling the rope, or remove the spark plug and dry it.

8. Operation

■ STOPPING ENGINE

1. Release the throttle lever and run the engine for a half minute.
2. Shift the ignition switch to the STOP position.



NOTE

- Except for an emergency, avoid stopping the engine while pulling the throttle lever.

■ ADJUSTING IDLING SPEED (OP5)

1. When the engine tends stop frequently at idling mode, turn the adjusting screw clockwise.
2. When the cutting head keeps rotating after releasing the trigger, turn the adjusting screw counter-clockwise.

(1) Idle adjustment screw

(2) Cable adjuster



NOTE

- Warm up the engine before adjusting the idling speed.

■ LINE HEAD USAGE



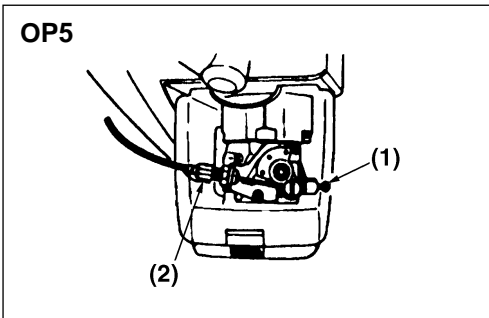
WARNING

1. Always wear eye protection such as safety goggles. Never lean over the rotating cutting head. Rocks or other debris could be thrown into eyes and face and cause serious personal injury.
2. Keep the debris guard attached in place at all times when the unit is operated.

TRIMMING GRASS AND WEEDS

- Always remember that the TIP of the line does cutting. You will achieve better results by not crowding the line into the cutting area. Allow the unit to trim at its own pace.

1. Hold the unit so the head is off the ground and is tilted about 20 degrees toward the sweep direction.
2. Use full throttle when cutting.



8. Operation

3. You can avoid thrown debris by sweeping from your left to the right.
4. Use a slow, deliberate action to cut heavy growth. The rate of cutting motion will depend on the material being cut. Heavy growth will require slower action than will light growth.
5. Never swing the unit so hard as you are in danger of losing your balance or control of the unit.
6. Try to control the cutting motion with the hip rather than placing the full workload on the arm and hands.
7. Take precautions to avoid wire, grass and dead, dry, long-stem weeds from wrapping around the head shaft. Such materials can stall the head and cause the clutch to slip, resulting in damage to the clutch system if repeated frequently.

ADJUSTING THE LINE LENGTH

- Your brushcutters is equipped with a semi- auto type nylon line head that allows the operator to advance the line without stopping the engine. When the line becomes short, lightly tap the head on the ground while running the engine at full throttle.
- Each time the head is bumped, the line advance about 1 inch(25.4 mm). For better effect, tap the head on bear ground or hard soil. Avoid bumping in thick, tall grass as the engine may stall by overload.

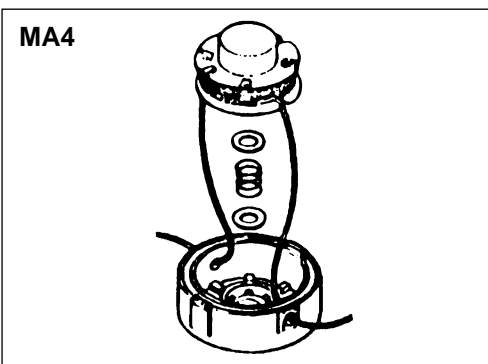
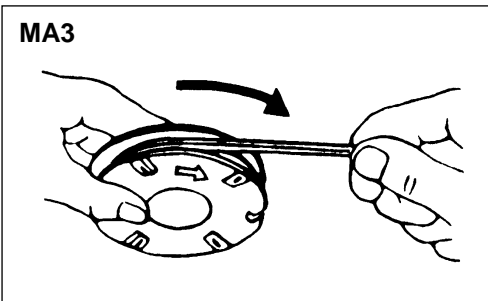
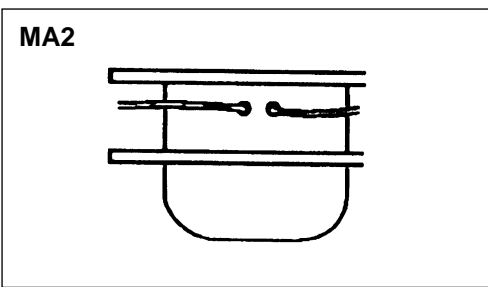
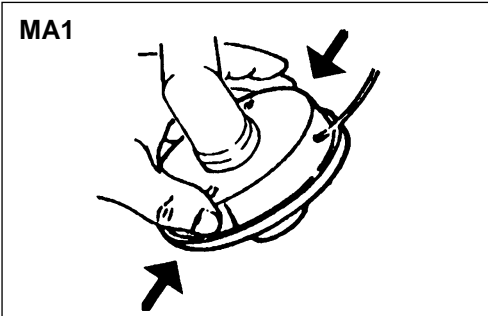
9. Maintenance

⚠ WARNING

- Always be sure to stop the engine before inspecting the brushcutter for problems or performing maintenance.
- Never alter the brushcutter or take the engine apart.
- When replacing parts, always be sure to use only RedMax products or products which have been certified by RedMax for use with the RedMax brushcutter.
- Things to check before using brushcutter.

■ REFILLING TRIMMING LINE

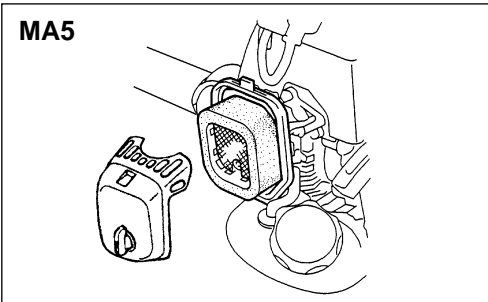
1. For replacement line, use a diameter of .095 in(2.4 mm). The spool is capable for a line upto 27 ft(8 m)on the 4" head, and 46 ft(14m)on the 6" head. Avoid using a larger line as it may cut down the trimming performance. For safety reasons, do not use metal line.
2. Pinch the slotted area on the both sides of the spool housing to unhook the bottom cap. (MA1)
3. Take out the spool and pull off the old line. Put one end of new line through the spool holes and pull it until the length is equal between each part of the line. (MA2)
4. Wind up the line in the correct as indicated on the spool. (MA3)
5. Hook each end of the line in the slot on the edge of the spool, and then put the ends through the eyelets on the housing. Make sure that the spring and the washers are in place. (MA4)
6. While holding the spool against the housing, pull the line ends to release them from the slot.
7. Line up the slot on the bottom cap with the hook on the housing, press the cap against the housing until it clicks.



9. Maintenance

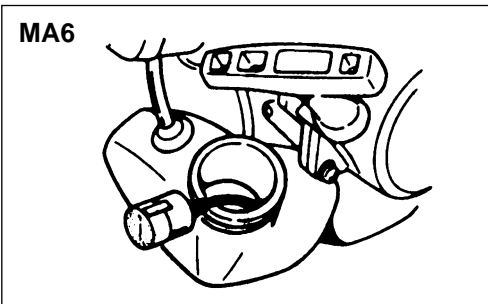
⚠ WARNING

- **Make sure that the engine has stopped and is cool before performing any service to the brushcutter. Contact with moving cutting head or hot muffler may result in a personal injury.**



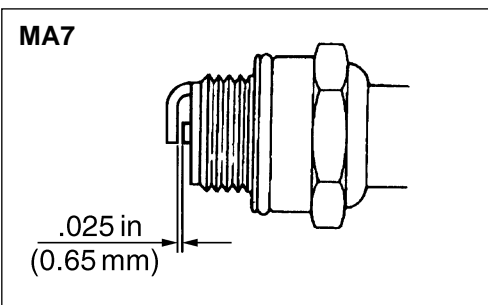
■ AIR FILTER

- The air filter, if clogged, will reduce the engine performance. Monthly check and clean the filter element in warm, soapy water as required. Dry completely before installing. If the element is broken or shrunk, replace with a new one. (MA5)



■ FUEL FILTER

- When the engine runs short of fuel supply, check the fuel cap and the fuel filter for blockage. (MA6)



■ SPARK PLUG

- Starting failure and mis-firing are often caused by a fouled spark plug. Periodically clean the spark plug and check that the spark gap is in the correct range. For a replacement plug, use the correct type specified by RedMax(See SPECIFICATIONS on the page 4). (MA7)

- **REPLACEMENT PLUG IS A CHAMPION RCJ6Y OR THE EQUIVALENT, SUCH AS BOSCH WSR8E OR NGK BPMR7A.**

ⓘ IMPORTANT

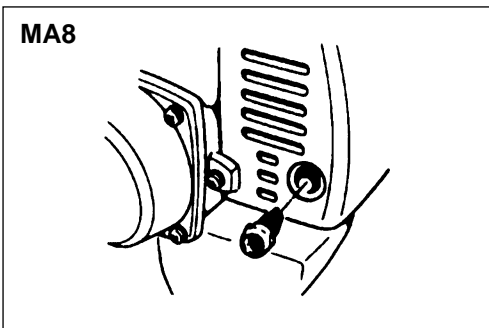
- Note that using any spark plugs other than those designated may result in the engine failing to operate properly or in the engine becoming overheated and damaged.
- To install the spark plug, first turn the plug until it is finger tight, then tighten it a quarter turn more with a socket wrench.

9. Maintenance

■ MUFFLER

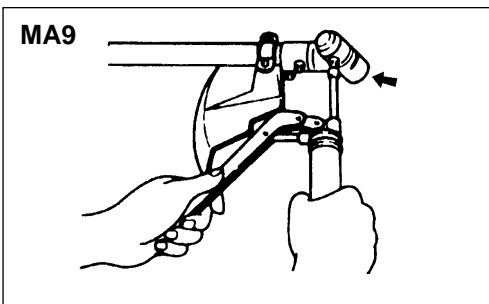
⚠ WARNING

- Inspect periodically, the muffler for loose fasteners, any damage or corrosion. If any sign of exhaust leakage is found, do not use the brushcutter and have it repaired immediately.
- Note that failing to do so may result in the engine catching on fire.



■ SPARK ARRESTER

- The muffler is equipped with a spark arrester to prevent red hot carbon from flying out of the exhaust outlet. Periodically inspect and clean as necessary with a wire brush. In the State of California it is required by law (Section 4442 of the California Public Resources Code) to equip a spark arrester when a gas powered tool is used in any forest covered, brush covered, or grass covered unimproved land. (MA8)



■ GEAR CASE

- The reduction gears are lubricated by multipurpose, lithium-based grease in the gear case. Supply new grease every 50 hours of use or more often depending on the job condition.
- Remove the cutter holders before installing new grease to arrange for old grease to exit. (MA9)

■ INTAKE AIR COOLING VENT

⚠ WARNING

- Never touch the cylinder, muffler, or spark plugs with your bare hands immediately after stopping the engine. The engine can become very hot when in operation, and doing so could result in severe burns.
- When checking the brushcutter to make sure that it is okay before using it, check the area around the muffler and remove any wood chips or leaves which have attached themselves to the brushcutter. Note that failing to do so could cause the muffler to

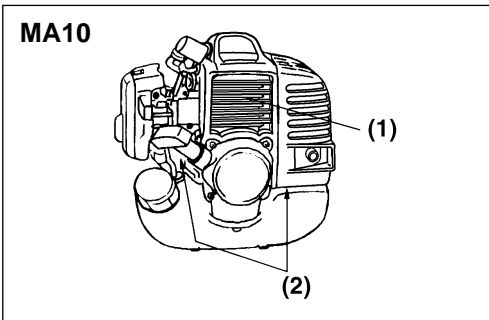
9. Maintenance

become overheated, and that this in turn could cause the brushcutter to catch on fire. Always make sure that the muffler is clean and free of wood chips, leaves, and other waste before use.

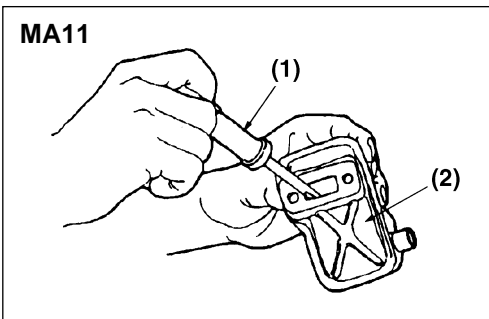
- Check the intake air cooling vent and the area around the cylinder cooling fins after every 25 hours of use for blockage, and remove any waste which has attached itself to the brushcutter. Note that it is necessary to remove the plug guard shown in Figure 20 in order to be able to view the upper part of the cylinder.

⚠ IMPORTANT

- If waste gets stuck and causes blockage around the intake air cooling vent or between the cylinder fins, it may cause the engine to overheat, and that in turn may cause mechanical failure on the part of the brushcutter. (MA10)



- (1) Cylinder fin
(2) Intake air cooling vent (back)



■ PROCEDURES TO BE PERFORMED AFTER EVERY 100 HOURS OF USE

1. Remove the muffler, insert a screwdriver into the vent, and wipe away any carbon buildup. Wipe away any carbon buildup on the muffler exhaust vent at the same time. (MA11)

- (1) Screwdriver
(2) Muffler














2. Tighten all screws, bolts, and fittings.
3. Check to see if any oil or grease has worked its way in between the clutch lining and drum, and if it has wipe it away using oil-free, lead-free gasoline.

10. Storage

- Aged fuel is one of major causes of engine starting failure. Before storing the unit, empty the fuel tank and run the engine until it uses all the fuel left in the fuel line and the carburetor. Store the unit indoor taking necessary measures for rust prevention.

11. Optional blade usage

OPT1

CUTTER APPLICATION CHART	9" 22-tooth: SST229 9" 24-tooth: SST249	8" 8-tooth: SGB088 9" 8-tooth: SGB089	8" 4-tooth: SGB048 9" 4-tooth: SGB049	Nylon line head
Under growth 				
Heavy weeds 				
Light weeds 				
Grass 				

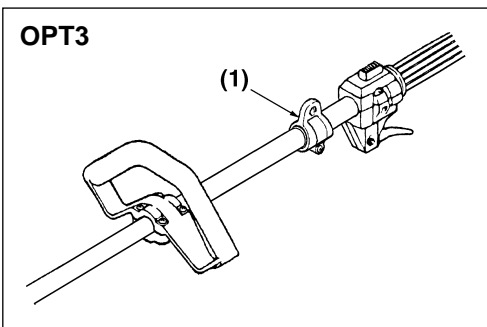
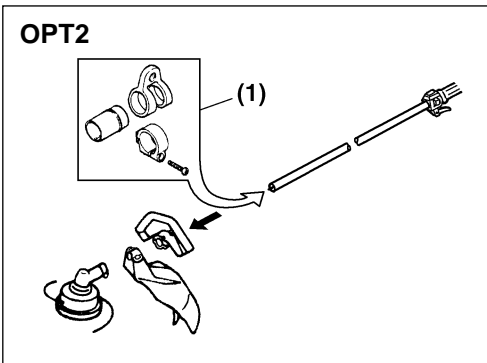
■ CHOOSE THE BLADE

Choose a suitable recommended cutting attachment according to the object to be cut. (OPT1)

- When replacing blade always be sure to use products which have been certified by RedMax.

WARNING

- When using the metal blade, make sure to install the hanger and the shoulder strap.



■ SET UP THE HANGER (OPT2, 3)

1. Loosen the screws and remove the guard.
2. Loosen the screws and remove the gearcase.
3. Loosen the screws and take the loop handle off.
4. Install the hanger complete from the blade side end and fix it with the screw.
5. Reinstall the gearcase.

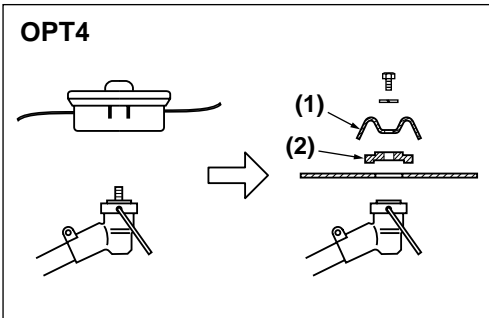
(1) Hanger complete: 6420-17400

(2) Shoulder strap: T3002-17200

11. Optional blade usage

⚠ WARNING

- When sharpening, removing, or reattaching the blade, be sure to wear thick, sturdy gloves and use only proper tools and equipment to prevent injury.

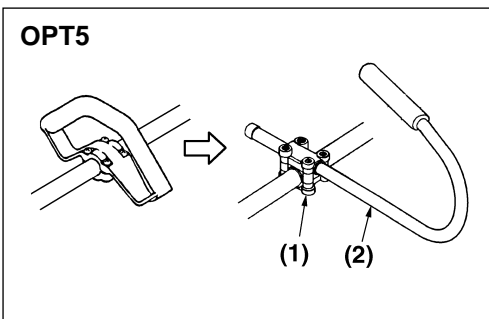


■ SET UP THE BLADE

1. Detach the line head assembly and the shaft completely. (OPT4)
2. Put on the blade, making the marked side face the holder, put the holder and the cover on, and fasten the blade with the bolt and washer. (OPT4)

(1) Cover: 6420-13280

(2) Holder: 6019-13250 (Holder, bolt, washer are come with the unit)

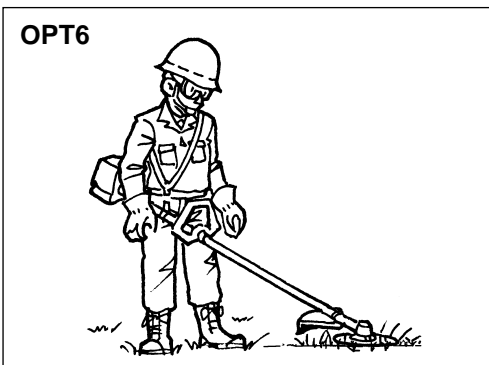


⚠ IMPORTANT

Change the loop handle to the J-handle for safe operation. (OPT5)

(1) Bracket: 3583-14101

(2) J-handle: 6367-14200



■ BALANCE UNIT

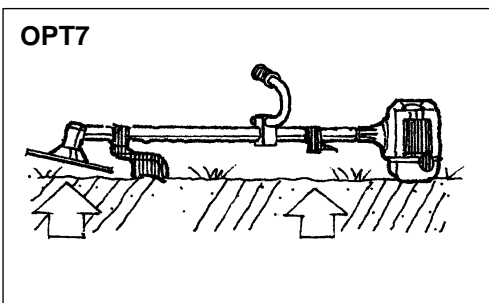
1. Put on strap and attach unit to strap.
2. Slide clamp up or down until unit balances with head just touching on the ground. (OPT6)

■ STARTING THE ENGINE

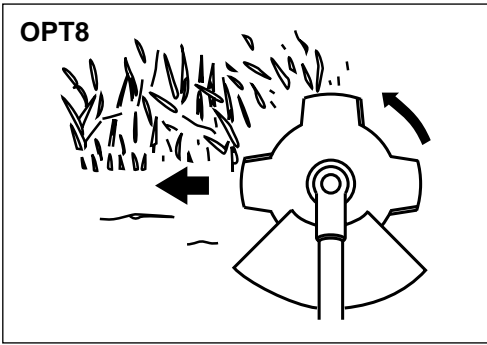
Please refer 5.For safe operation (P.9~10), 8.Operation (P.17).

⚠ WARNING

- The product is equipped with a centrifugal clutch mechanism, so the cutting attachment begins to rotate as soon as the engine is started by putting the throttle into the start position. When starting the engine, place the product onto the ground in a flat clear area and hold it firmly in place so as to ensure that neither the cutting part nor the throttle come into contact with any obstacle when the engine starts. (OPT7)



11. Optional blade usage



■ CUTTING METHOD

- Use the front left side cutting.
- Guide the blade from your right to left with it tilted slightly to your left. (OPT8)
- When mowing a wide area, start working from your left end to avoid interference of cut grass.
- The blade may be seized by weeds if the engine speed is too low, or the blade cuts too deep into weeds. Adjust the engine speed and cutting depth according to the condition of object.

⚠ WARNING

- If the grass or other object gets caught in the blade, or if the unit starts to shake or vibrate, turn off the engine and check the whole unit. Change the blade if it has been damaged.
- Turn off the engine and make sure the blade has completely stop before checking the blade, and removing any object got caught in.



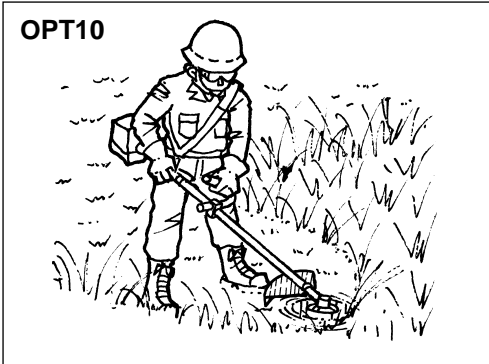
■ OPERATION

- Check the bolt to fasten the blade and be sure the bolt has no fault, and no abrasion.
- Be sure that the blade and the holder have been fastened according to instruction and the blade turns smoothly without abnormal noise. (OPT9)

⚠ WARNING

- The rotating parts fastened incorrectly may cause serious accident to the operator.
- Make sure that the blade is not bent, warped, cracked, broken or damaged.
- If you find any error to the blade, discard it and change new one which is certified by RedMax.

11. Optional blade usage



- By using the shoulder strap, hang the unit on your right side. Adjust the strap length so that the cutting head may become parallel to the ground. (OPT10)

⚠ WARNING

Make sure to use shoulder strap and debris guard. If not, it is very dangerous when you slip or lose your balance.

⚠ WARNING

■ CONTROLLING BLADE BOUNCE

- Kick out can cause serious personal injury. **Carefully study this section.** It is important that you understand what causes kick out, how you can reduce the chance of kick out and how you can remain in control of the unit if kick out does occur.

1. What causes kick out:

- Kick out can occur when the moving blade contacts an object that it cannot cut. This contact causes the blade to stop for an instant and then suddenly move or "bounce" away from the object that was hit. The operator can lose control of the unit and the blade can cause serious personal injury to the operator or any person nearby if the blade contacts any part of the body.

2. How you can reduce the chance of kick out:

- a. Recognize that kick out can happen. By understanding and knowing about bounce, you can help eliminate the element of surprise.
- b. **Cut fibrous weeds and grass only.** Do not let the blade contact materials it cannot cut such as hard, woody vines and brush or rocks, fences, metal, etc
- c. Be extra prepared for bounce if you must cut where you cannot see the blade making contact such as in areas of dense growth.
- d. **Keep the blade sharp.** A dull blade increase the chance of bounce.
- e. Avoid feeding the blade too rapidly. The blade can bounce away from material being cut if

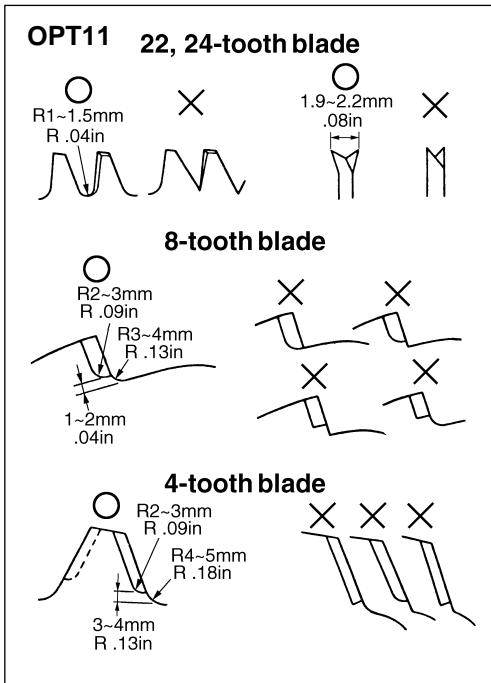
11. Optional blade usage

the blade is fed faster than its cutting capability.

- f. Cut only from your right to your left.
- g. Keep your path of advance clear of material that has been cut and other debris.

3. How you can maintain the best control:

- a. Keep a good, firm grip on the unit with both hands. A firm grip can help neutralize bounce. Keep your right and left hands completely around the respective handles.
- b. Keep both feet spread apart in a comfortable stance and yet braced for the possibility that the unit could bounce. Do not overreach. Keep firm footing and balance.



■ MAINTENANCE BLADE

- Check the blade and the fasteners for looseness, cracking, or bending.
- Check the cutting edges and reform with a flat file.

Point (OPT11) :

1. Keep the end corner sharp.
2. Round the root of the edge, using round file.
3. Do not use water when using a grinder.

❗ IMPORTANT

- It is recommended that filing should be done by professionals.
- Especially regarding filing the 22,24-tooth blade, Leave it to the professionals.

■ TRANSPORTING THE UNIT

- When you finish cutting in one location and wish to continue work in another spot, turn off the engine, and lift up the unit and carry it paying attention to the blade.
- Never forget to place the protective cover over the blades.
- When transporting the unit over long distances, detach the blade fix the unit by ropes.

12. Troubleshooting guide

Case 1. Starting failure

CHECK		PROBABLE CAUSES		ACTION
fuel tank	→	incorrect fuel	→	drain it and with correct fuel
fuel filter	→	fuel filter is clogged	→	clean
carburetor adjustment screw	→	out of normal range	→	adjust to normal range
sparkling (no spark)	→	spark plug is fouled/wet	→	clean/dry
	→	plug gap is incorrect	→	correct (GAP: 0.6~0.7mm)
spark plug	→	disconnected	→	retighten

Case 2. Engine starts but does not keep running/Hard re-starting.

CHECK		PROBABLE CAUSES		ACTION
fuel tank	→	incorrect fuel or staled fuel	→	drain it and with correct fuel
carburetor adjustment screw	→	out of normal range	→	adjust to normal range
muffler,cylinder (exhaust port)	→	carbon is built-up	→	wipe away
air cleaner	→	clogged with dust	→	wash
cylinder fin, fan cover	→	clogged with dust	→	clean

When your unit seems to need further service, please consult with our RedMax service shop in your area.

13. Parts list

BRUSHCUTTERS

BC225DL

NOTE :

1. Use KOMATSU ZENOAH genuine parts as specified in the parts list for repair and/or replacement.
2. KOMATSU ZENOAH does not warrant the machines, which have been damaged by the use of any parts other than those specified by the company.
3. When placing parts orders for repair and/or replacement, check if the model name and the serial number are applicable to those specified in the parts list, then use parts number described in the parts list.
4. The contents described in the parts list may change due to improvement.
5. The parts for the machine shall be supplied seven (7) years after the machine is discontinued. [It is possible that some specific parts may be subject to change of their delivery term and list price within the limit of ten (7) years after the machine is discontinued. It is also possible that some parts may be available even after the limit of seven (7) years.]

APPLICABLE SERIAL NUMBERS :

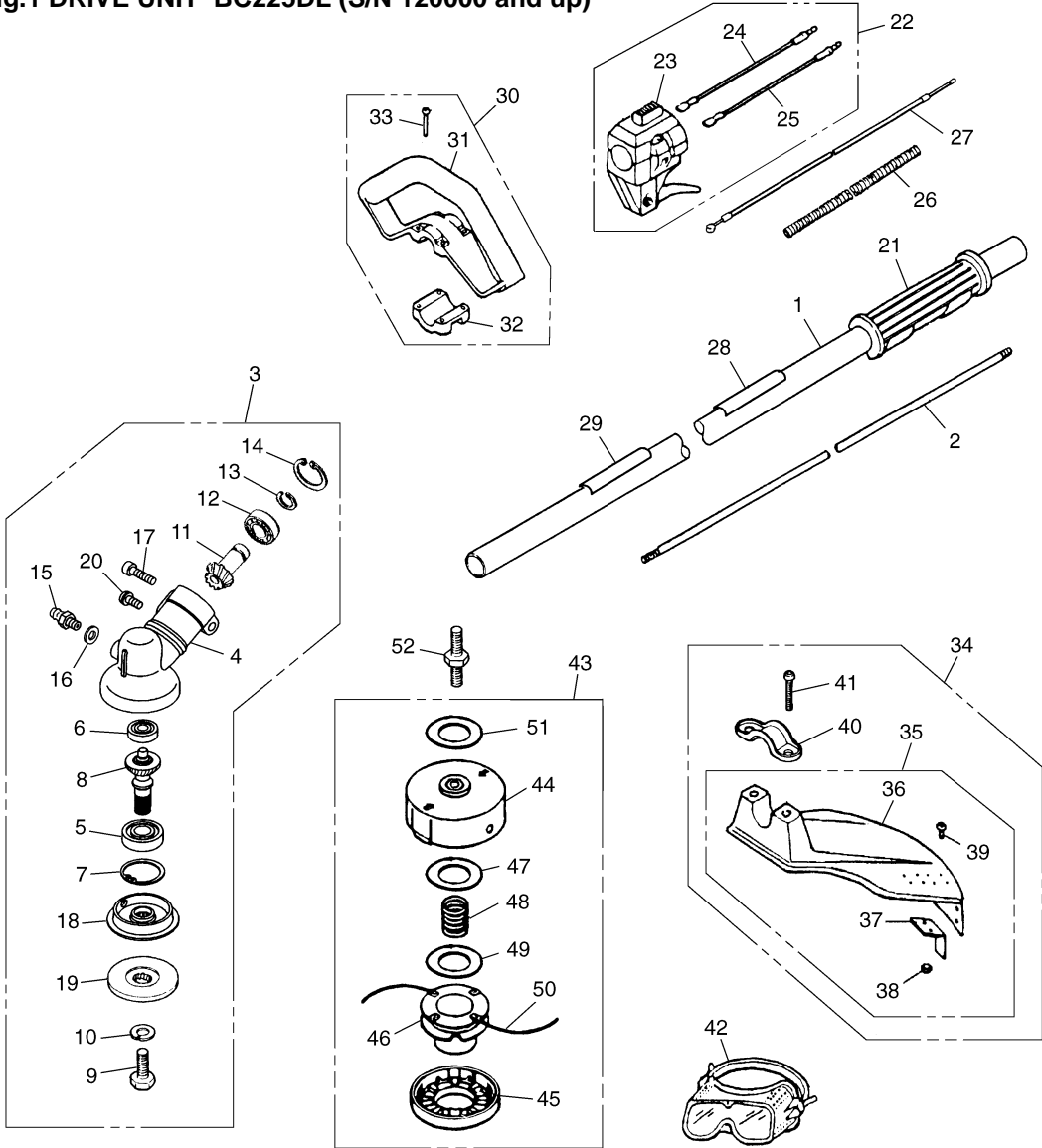
Aug. 2001

DRIVE UNIT 120000 and up

ENGINE UNIT 000101 and up

13. Parts list

Fig.1 DRIVE UNIT BC225DL (S/N 120000 and up)



Optional Blade & Accessories

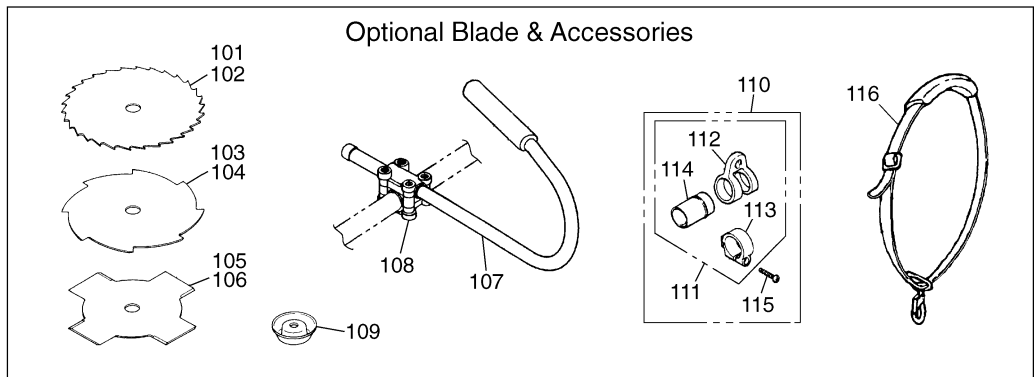


Fig.1 DRIVE UNIT BC225DL (S/N 120000 and up)

Key#	Description	Part Number	Q'ty	Key#	Description	Part Number	Q'ty
1	PIPE COMP	T3108-12100	1	51	• SPACER	6460-15210	1
2	SHAFT	3520-12213	1	52	SHAFT	6041-99240	1
3	GEARCASE-ASS'Y	T3108-13001	1				
4	• GEARCASE	T3300-13120	1				
5	• BEARING	T3300-13510	1				
6	• BEARING	T3300-13520	1				
7	• RING	04065-02612	1				
8	• SHAFT COMP	T3300-13200	1				
9	• BOLT	3560-13261	1				
10	• WASHER	3560-13290	1				
11	• PINION	T3108-13310	1				
12	• BEARING	T3300-13530	1				
13	• RING	T3300-13330	1				
14	• SNAP RING	04065-02412	1				
15	• FITTING	3199-13350	1				
16	• WASHER	01641-20608	1				
17	• BOLT	01252-30520	1				
18	• HOLDER(A)	T3300-13240	1				
19	• HOLDER(B)	6019-13250	1				
20	• BOLT	01252-30510	1				
21	GRIP	3577-32141	1				
22	LEVER COMP	T3002-12202	1				
23	• LEVER	6110-14412	1				
24	• CORD(A)	T3002-12220	1				
25	• CORD(B)	T3002-12230	1				
26	TUBE	T3003-14510	1				
27	CABLE COMP	1855-82100	1				
28	PLATE NAME	T3108-12511	1				
29	PLATE	6425-12552	1				
30	HANDLE ASSY	6420-14100	1				
31	• HANDLE	6420-14311	1				
32	• CLAMP	6420-14320	1				
33	• SCREW M5x35	0263-90535	4				
34	GUARD ASSY	6357-24001	1				
35	• GUARD COMP	6357-24101	1				
36	•• GUARD	6041-24113	1				
37	•• BLADE	6041-24140	1				
38	•• NUT	3320-15310	2				
39	•• SCREW	0263-30512	2				
40	• CLAMP	3520-24120	1				
41	• BOLT	3540-24130	2				
42	GOGGLE	T3002-91190	1				
43	TAP. HEAD COMP	PT104	1				
44	• CASE COMP	6460-15113	1				
45	• COVER	6460-15131	1				
46	• CORD HOLDER	6460-15142	1				
47	• PLATE	3268-15150	1				
48	• SPRING	6041-99162	1				
49	• PLATE	3268-15170	1				
50	• CORD	6460-15180	1				

OPTIONAL BLADE & ACCESSORIES							
Key#	Description	Part Number	Q'ty	Key#	Description	Part Number	Q'ty
101	9" 22-tooth	SST229	1				
102	9" 24-tooth	SST249	1				
103	8" 8-tooth	SGB088	1				
104	9" 8-tooth	SGB089	1				
105	8" 4-tooth	SGB048	1				
106	9" 4-tooth	SGB049	1				
107	J-HANDLE	6367-14200	1				
108	BRACKET	3583-14101	1				
109	COVER	6420-13280	1				
110	HANGER-ASSY	6420-17300	1				
111	• HANGER-COMP	6420-17400	1				
112	•• HANGER	9366-17110	1				
113	•• CLAMP	9366-17120	1				
114	•• SLEEVE	6420-17410	1				
115	• SCREW	0263-90525	1				
116	STRAP-ASSY	T3002-17200	1				

13. Parts list

Fig.2 ENGINE UNIT BC225DL (S/N 000101 and up)

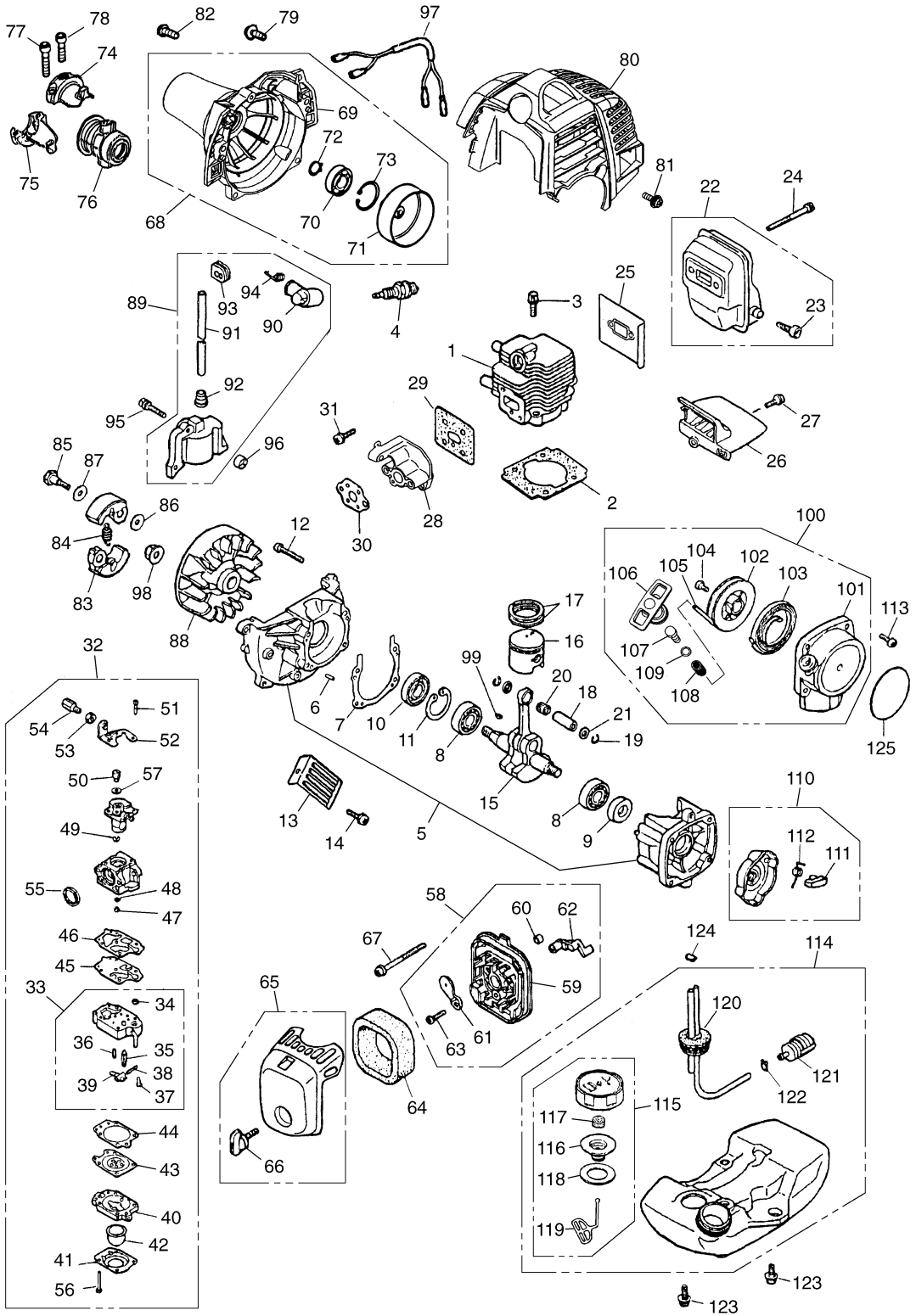


Fig.2 ENGINE UNIT BC225DL (S/N 000101 and up)

Key#	Description	Part Number	Q'ty	Key#	Description	Part Number	Q'ty
1	CYLINDER	5580-12110	1	64	ELEMENT	5500-82171	1
2	GASKET, base	5500-12213	1	65	COVER ASS'Y	T1701-82200	1
3	BOLT	1850-12130	2	66	• KNOB	5500-82221	1
4	PLUG RCJ-6Y	5602-73110	1	67	SCREW	0263-90560	2
5	CRANKCASE-C	5500-21100	1	68	HOUSING-ASS'Y	T1702-31100	1
6	• PIN	2629-21130	3	69	• HOUSING	T1701-31110	1
7	GASKET	5500-21141	1	70	• BEARING	06002-06001	1
8	BEARING	06030-06001	2	71	• DRUM	4810-31120	1
9	SEAL	2169-21210	1	72	• RING	04064-01210	1
10	SEAL	1850-21220	1	73	• RING	04065-02812	1
11	SNAP RING	04065-02812	1	74	BRACKET (A)	T1700-31212	1
12	BOLT	01252-30530	3	75	BRACKET (B)	T1700-31221	1
13	GUARD	5500-22110	1	76	CUSHION	T1700-31232	1
14	SCREW	0263-90514	1	77	BOLT	01252-30522	2
15	CRANKSHAFT-C	5500-42001	1	78	BOLT	01252-30510	1
16	PISTON	5600-41111	1	79	SCREW	0263-90520	4
17	RING	1100-41210	2	80	COVER, engine	T1700-32110	1
18	PIN	1101-41310	1	81	SCREW	T1700-32161	1
19	RING	1260-41320	2	82	SCREW	0263-90514	1
20	BEARING	5500-41410	1	83	SHOE	1140-51111	2
21	WASHER	1101-41340	2	84	SPRING	T1700-51220	1
22	MUFFLER ASSY	T1702-15100	1	85	SCREW	1140-51250	2
23	ARRESTER	1601-15120	1	86	WASHER	1140-51230	2
24	BOLT	01252-30550	2	87	WASHER	1970-51241	2
25	GASKET	T1600-15210	1	88	ROTOR	T1700-71110	1
26	PLATE	5500-15221	1	89	COIL-A	T1700-71200	1
27	SCREW	0263-90416	1	90	• CAP	5500-72110	1
28	INSULATOR	T1700-13160	1	91	• CORD	T1700-71220	1
29	GASKET, insulator	5500-13121	1	92	• CAP	2616-71320	1
30	GASKET, carburetor	5500-13131	1	93	• GROMMET	5500-72130	1
31	SCREW	0263-90520	2	94	• SPRING	5500-72120	1
32	CARBURETOR ASS'Y	5501-81000	1	95	BOLT	3310-72150	2
33	• BODY ASS'Y	1850-81450	1	96	SPACER	T1700-71260	2
34	•• SCREEN	3306-81380	1	97	CORD-C	T1700-73200	1
35	•• VALVE	3356-81310	1	98	NUT	1650-43230	1
36	•• SPRING	1850-81270	1	99	KEY	1000-43240	1
37	•• SCREW	1850-81220	1	100	RECOIL ASS'Y	T1700-75100	1
38	•• PIN	3310-81250	1	101	• CASE-C	5500-75110	1
39	•• LEVER	3310-81230	1	102	• REEL	1850-75120	1
40	• BODY, purge	1850-81490	1	103	• SPRING	1850-75130	1
41	• COVER, pump	1850-81520	1	104	• SCREW	1850-75151	1
42	• PUMP, priming	1751-81510	1	105	• ROPE	T1600-75160	1
43	• DIAPHRAGM	3310-81260	1	106	• KNOB	T1600-75310	1
44	• GASKET, diaphragm	1850-81470	1	107	• COLLAR	T1600-75320	1
45	• DIAPHRAGM, pump	1065-81420	1	108	• SPRING	T1600-75330	1
46	• GASKET, pump	1065-81410	1	109	• WASHER	T1600-75210	1
47	• JET	5500-81251	1	110	PULLEYASS'Y	1850-75201	1
48	• RING	1751-81240	1	111	• RATCHET	1850-75221	1
49	• RING	1751-81130	1	112	• SPRING	1850-75230	1
50	• SWIVEL	1881-81140	1	113	SCREW	T1700-32161	4
51	• SCREW	1752-81110	2	114	TANK ASS'Y	T1700-85001	1
52	• BRACKET	5500-81120	1	115	• CAP ASS'Y	5607-85201	1
53	• NUT, adjuster	1751-81180	1	116	•• HOLDER ASS'Y	5601-85300	1
54	• SCREW, adjuster	1918-81170	1	117	•• FILTER	5601-85260	1
55	• RING	1881-81130	1	118	•• PACKING	5500-85220	1
56	• SCREW	1850-81530	4	119	•• STOPPER	4820-85260	1
57	• WASHER	5500-81160	1	120	• PIPE-C	5500-85300	1
58	BODY-ASSY	T1700-82100	1	121	• FILTER ASS'Y	5500-85400	1
59	• BODY	5500-82111	1	122	• CLIP	1260-85460	1
60	• SLEEVE	1970-82190	2	123	SCREW	5910-85510	3
61	• PLATE, choke	T1700-82130	1	124	CLIP	1950-86120	1
62	• LEVER, choke	T1700-82140	1	125	LABEL, recoil	T1702-75411	1
63	• SCREW	2630-33610	1				

CALIFORNIA EMISSION CONTROL WARRANTY STATEMENT
YOUR WARRANTY RIGHTS AND OBLIGATIONS

The California Air Resources Board and KOMATSU ZENOAH are pleased to explain the **emission control system warranty** on your **1995 and later** small off-road engine. In California, new small off-road engines must be designed, built and equipped to meet the state's stringent anti-smog standards. KOMATSU ZENOAH must warrant the emission control system on your small off-road engine for the periods of time listed below provided there has been no abuse, neglect or improper maintenance of your small off-road engine.

Your emission control system may include parts such as the carburetor and the ignition system.

Where a warrantable condition exists, KOMATSU ZENOAH will repair your small off-road engine at no cost to you including diagnosis, parts and labor.

Manufacturer's warranty coverage:

The 1995 and later small off-road engines are warranted for **two years**. If any emission-related part on your engine is defective, the part will be repaired or replaced by KOMATSU ZENOAH.

Owner's warranty responsibilities:

– As the small off-road engine owner, you are responsible for the performance of the **required maintenance listed in your owner's manual**. KOMATSU ZENOAH recommends that you retain all receipts covering maintenance on your small off-road engine, but KOMATSU ZENOAH can not deny warranty solely for the lack of receipts or for your failure to ensure the performance of all scheduled maintenance.

– As the small off-road engine owner, you should be aware, however, that KOMATSU ZENOAH may deny you warranty coverage if your small off-road engine or a part has failed due to abuse, neglect, improper maintenance or unapproved modification.

– You are responsible for presenting your small off-road engine to a KOMATSU ZENOAH distribution center as soon as a problem exists. The warranty repairs should be completed in a reasonable amount of time, not to exceed **30 days**.

If you have any questions regarding your warranty rights and responsibilities, you should contact KOMATSU ZENOAH AMERICA INC. at (770)-381-5147 or you can write to

KOMATSU ZENOAH AMERICA INC.
4344 Shackleford Road Suite 500
Norcross, Georgia 30093

**RedMax TRIMMER/BRUSHCUTTER
MODEL BC225DL
2-YEAR LIMITED WARRANTY**

EMISSION-RELATED PARTS, FOR TWO (2) YEARS FROM THE DATE OF ORIGINAL DELIVERY OF THE MODEL BC225DL UNIT, KOMATSU ZENOAH AMERICA INC. (THE COMPANY), THROUGH ANY RedMax DEALER, WILL REPAIR OR REPLACE, FREE OF CHARGE, FOR THE ORIGINAL AND EACH SUBSEQUENT PURCHASER, ANY PART OR PARTS FOUND TO BE DEFECTIVE IN MATERIAL AND/OR WORKMANSHIP. EMISSION-RELATED PARTS ARE:

**THE CARBURETOR ASSY, COIL ASSY, ROTOR, SPARKPLUG,
AIR FILTER, FUEL FILTER, INTAKE MANIFOLD, AND THE GASKETS**

ALL OTHER PARTS EXCEPT ABOVE PARTS, FOR TWO (2) YEARS OF HOME USE [ONE (1) YEAR FOR ANY OTHER USE] FROM THE DATE OF ORIGINAL ANY DELIVERY OF THE MODEL BC225DL UNIT, THE COMPANY, THROUGH ANY RedMax DEALER, WILL REPAIR OR REPLACE, FREE OF CHARGE, FOR THE ORIGINAL PURCHASER, ANY PART OF PARTS FOUND TO BE DEFECTIVE IN MATERIAL AND/OR WORKMANSHIP. **THIS IS THE EXCLUSIVE REMEDY.**

THE PURCHASER SHALL BEAR COSTS OF TRANSPORTING THE UNIT TO AND FROM THE RedMax DEALER.

THE PURCHASER SHALL NOT BE CHARGED FOR DIAGNOSTIC LABOR WHICH LEADS TO THE DETERMINATION THAT A WARRANTED PART IS DEFECTIVE, IF THE DIAGNOSTIC WORK IS PERFORMED AT THE RedMax DEALER.

THE PURCHASER OR OWNER IS RESPONSIBLE FOR THE PERFORMANCE OF THE REQUIRED MAINTENANCE AS DEFINED BY THE MANUFACTURER IN THE OWNER/OPERATOR MANUAL.

ANY WARRANTED PART WHICH IS NOT SCHEDULED FOR REPLACEMENT AS REQUIRED MAINTENANCE, OR WHICH IS SCHEDULED ONLY FOR REGULAR INSPECTION TO THE EFFECT OF "REPAIR OR REPLACE AS NECESSARY" SHALL BE WARRANTED FOR THE WARRANTY PERIOD. ANY WARRANTED PART WHICH IS SCHEDULED FOR REPLACEMENT AS REQUIRED MAINTENANCE SHALL BE WARRANTED FOR THE PERIOD OF TIME UP TO THE FIRST SCHEDULED REPLACEMENT POINT FOR THE PART.

ANY REPLACEMENT PART THAT IS EQUIVALENT IN PERFORMANCE AND DURABILITY MAY BE USED IN NON-WARRANTY MAINTENANCE OR REPAIRS, AND SHALL NOT REDUCE THE WARRANTY OBLIGATION OF THE COMPANY.

THE COMPANY IS LIABLE FOR DAMAGES TO OTHER ENGINE COMPONENTS CAUSED BY THE FAILURE OF A WARRANTED PARTS STILL UNDER WARRANTY.

THE WARRANTY DOES NOT APPLY TO THOSE UNITS WHICH HAVE BEEN DAMAGED BY NEGLIGENCE OF INSTRUCTION LISTED IN THE OWNER/OPERATOR MANUAL FOR PROPER USE AND MAINTENANCE OF THE UNITS, ACCIDENT MISHANDLING, ALTERATION, ABUSE, IMPROPER LUBRICATION, USE OF ANY PARTS OR ACCESSORIES OTHER THAN THOSE SPECIFIED BY THE COMPANY, OR OTHER CAUSES BEYOND THE COMPANY'S CONTROL.

THIS WARRANTY DOES NOT COVER THOSE PARTS REPLACED BY NORMAL WEAR OR HARMLESS CHANGES IN THEIR APPEARANCE.

THERE ARE NO OTHER EXPRESS WARRANTIES.

IMPLIED WARRANTIES INCLUDING THOSE OF MERCHANTABILITY AND FITNESS FOR A PARTICULAR PURPOSE **ARE LIMITED TO TWO (2) YEARS OF HOME USE [ONE (1) YEAR FOR ANY OTHER USE] FROM THE ORIGINAL DELIVERY DATE.**

LIABILITIES FOR INCIDENTAL OR CONSEQUENTIAL DAMAGE UNDER ANY AND ALL WARRANTIES ARE EXCLUDED.

SOME STATES DO NOT ALLOW LIMITATION ON HOW LONG AN IMPLIED WARRANTY LASTS OR EXCLUSION OR LIMITATION OF INCIDENTAL OR CONSEQUENTIAL DAMAGES, SO THE ABOVE LIMITATION OR EXCLUSION MAY NOT APPLY TO YOU.

THIS WARRANTY GIVES YOU SPECIFIC LEGAL RIGHTS, AND YOU MAY ALSO HAVE OTHER RIGHTS WHICH VARY FROM STATE TO STATE.

IF YOU NEED TO OBTAIN INFORMATION ABOUT THE NEAREST SERVICE CENTER, PLEASE CALL KOMATSU ZENOAH AMERICA INC. AT (770)-381-5147.

IMPORTANT: YOU WILL RECEIVE A WARRANTY REGISTRATION CARD AT TIME OF PURCHASE. PLEASE FILL OUT THE CARD AND SEND IT TO RedMax / KOMATSU ZENOAH AMERICA WITHIN SEVEN (7) DAYS. BE SURE TO KEEP A COPY FOR YOUR RECORDS.



KOMATSU ZENOAH AMERICA INC.
4344 Shackelford Road Suite 500
Norcross, Georgia 30093

RedMax TRIMMER/BRUSHCUTTER

Modèle BC225DL

Garantie limitée à 2 ans

Pièces en rapport avec les émissions de gaz d'échappement : KOMATSU ZENOAH AMERICA INC., par l'intermédiaire de n'importe quel revendeur RedMax, réparera gratuitement ou remplacera gratuitement pour l'acheteur initial et chaque acheteur successif toute(s) pièce(s) se révélant de constitution et/ou de montage défectueux pendant deux (2) ans à compter de la date initiale de livraison d'une unité du modèle BC225DL. Les pièces en rapport avec les émissions de gaz d'échappement sont:

**l'assemblage carburateur, l'assemblage bobine, le rotor, la bougie,
le filtre à air, le filtre à carburant, la tubulure d'admission et les joints**

Toutes autres pièces exceptées celles mentionnées ci-dessus : La société, par l'intermédiaire de n'importe quel revendeur RedMax, réparera gratuitement ou remplacera gratuitement pour l'acheteur initial toute(s) pièce (s) se révélant de constitution et/ou de montage défectueux pendant deux (2) ans en cas d'utilisation privée [un (1) an pour toute autre utilisation] à compter de la date de livraison initiale d'une unité du modèle BC225DL. **Telles sont les limites de la garantie.**

Le coût du transport de l'unité jusqu'au revendeur RedMax et depuis celui-ci sera à la charge de l'acheteur.

L'acheteur ne supportera pas le coût de main d'œuvre du diagnostic qui amène à la conclusion qu'une pièce garantie est défectueuse, si ce diagnostic est effectué chez le revendeur RedMax.

L'acheteur ou propriétaire a pour responsabilité d'effectuer l'entretien obligatoire tel que défini par le fabricant dans le manuel du propriétaire/de l'utilisateur.

Toute pièce garantie dont le remplacement n'est pas prévu dans le cadre de l'entretien obligatoire, ou pour laquelle est seulement prévue une inspection périodique pour "remplacement ou réparation si nécessaire" sera garantie pour la période de garantie. Toute pièce garantie arrivée à l'échéance de son premier remplacement prévu sera garantie jusqu'à celui-ci.

Toute pièce de rechange équivalente en performance ou en durabilité peut être utilisée pour l'entretien hors-garantie ou les réparations hors-garantie, et ce sans réduire l'obligation de garantie incombant à la société.

La société sera tenue responsable des dommages aux autres composants du moteur causés par la défaillance de pièce(s) garantie(s) en période de garantie.

La garantie ne s'applique pas aux unités endommagées par suite de: négligence dans la mise en oeuvre des instructions spécifiées dans le manuel du propriétaire/de l'utilisateur en vue d'une utilisation et d'un entretien correct, fausse manœuvre accidentelle, modification, utilisation abusive, lubrification incorrecte, utilisation de pièces ou d'accessoires autres que ceux spécifiés par la société, ou autres causes hors du contrôle de la société.

Cette garantie ne couvre pas les pièces remplacées en raison de leur usure normale ou de changements d'apparence sans effets.

Il n'existe aucune autre garantie explicite.

Les garanties implicites, celles de négociabilité du produit et de son adaptabilité à un usage défini incluses, **sont limitées** à deux (2) ans pour un usage privé [un (1) an pour toute autre utilisation] à compter de la date initiale de livraison.

Les responsabilités pour les dommages conséquents ou incidents sont exclues de toutes les garanties.

Certaines provinces n'autorisant pas les limitations à la durée des garanties implicites, ou les exclusions ou limitations relatives aux dommages incidents ou conséquents, la limitation indiquée ci-dessus peut ne pas vous être applicable.

Cette garantie vous donne des droits juridiques spécifiques, et vous pouvez également jouir d'autres droits variant d'une province à l'autre.

Si vous désirez obtenir des informations sur le centre de service le plus proche, veuillez appeler KOMATSU ZENOAH AMERICA INC. au (770)-381-5147

Note importante: vous recevrez une carte d'enregistrement de garantie au moment de l'achat. Veuillez la remplir et l'adresser à RedMax / KOMATSU ZENOAH AMERICA sous sept (7) jours en prenant soin de conserver une copie pour vous.



KOMATSU ZENOAH AMERICA INC.
4344 Shackelford Road Suite 500
Norcross, Georgia 30093



KOMATSU ZENOAH AMERICA INC.
4344 Shackleford Road Suite 500
Norcross, Georgia 30093