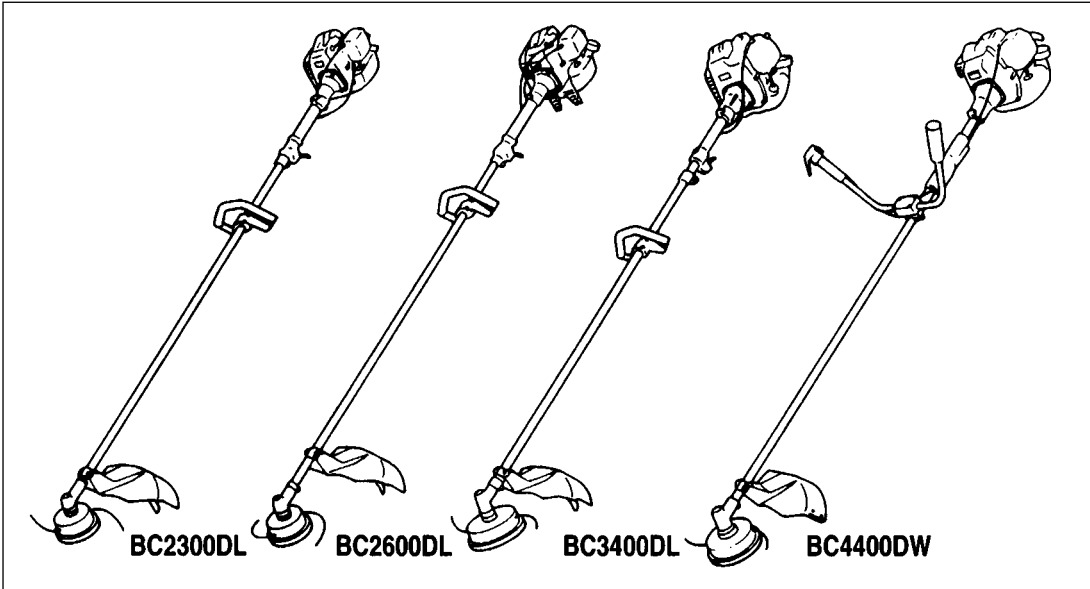




OWNER/OPERATOR MANUAL

BRUSHCUTTERS

BC2300DL
BC2600DL
BC3400DL
BC4400DW



⚠ WARNING ⚠
The engine exhaust from this product contains chemicals known to the State of California to cause cancer, birth defects or other reproductive harm.

Thank you for purchasing a RedMax product.
Before using our brushcutters, please read this manual carefully to understand the proper use of your unit.

APPLICABLE SERIAL NUMBERS :


BC2300DL	DRIVE UNIT	50000000	and up	ENGINE UNIT	990639	and up
BC2600DL	DRIVE UNIT	50000000	and up	ENGINE UNIT	978729	and up
BC3400DL	DRIVE UNIT	100101	and up	ENGINE UNIT	100101	and up
BC4400DW	DRIVE UNIT	100101	and up	ENGINE UNIT	100101	and up



Read this manual carefully to understand all safety precautions, controls, proper operation and maintenance of your RedMax brushcutters. Failure to do so could result in serious injury.



SAFETY FIRST

Instructions contained in warnings within this manual marked with a  symbol concern critical points which must be taken into consideration to prevent possible serious bodily injury, and for this reason you are requested to read all such instructions carefully and follow them without fail.

Note that there may be times when warning seals peel off or become soiled and impossible to read. If this happens, you should contact the dealer from which you purchased the product to order new seals and affix the new seal(s) in the required location(s).

■ Notes on types of warnings



Instructions labeled as shown at left, concern critical steps or procedures which must be followed in order to prevent accidents which could lead to serious bodily injury or death. This mark is used to indicate instructions which must be followed without exception.



Instructions labeled as shown at left concern steps or procedures which, if not followed correctly, could lead to mechanical failure, breakdown, or damage.



Used to label supplementary instructions designed to provide hints or directions useful in the use of the product.

CONTENTS

SAFETY PRECAUTIONS	4
IN ORDER TO ENSURE PROPER AND SAFE OPERATION OF YOUR BRUSHCUTTER	
WORK GEAR AND CLOTHING	
WARNINGS CONSIDERING HANDLING OF FUEL	
THINGS TO CHECK BEFORE USING YOUR BRUSHCUTTER	
THINGS TO CHECK BEFORE STARTING UP THE ENGINE	
AVOID NOISE PROBLEM	
THINGS TO BE CAREFUL ABOUT WHEN USING YOUR BRUSHCUTTER	
NOTES ON CARE AND MAINTENANCE OF YOUR BRUSHCUTTER	
SET UP	9
MOUNTING ENGINE	
INSTALLING HANDLE	
INSTALLING DEBRIS GUARD	
CONNECTING THROTTLE WIRE	
CONNECTING SWITCH WIRES	
PUTTING ON WAIST PAD	
INSTALLING CUTTING HEAD	
FUEL	11
HOW TO MIX FUEL	
FUELING THE UNIT	
OPERATION	12
STARTING ENGINE	
STOPPING ENGINE	
ADJUSTING IDLING SPEED	
LINE HEAD USAGE	
METAL BLADE USAGE	
OPTIONAL BLADE USAGE	15
CHOOSE THE BLADE	
SET UP	
STARTING ENGINE	
CUTTING METHOD	
OPERATION	
CONTROLLING BLADE BOUNCE	
MAINTENANCE	
TRANSPORTING THE UNIT	
MAINTENANCE	20
REFILLING TRIMMING LINE	
AIR FILTER	
FUEL FILTER	
SPARK PLUG	
MUFFLER	
SPARK ARRESTER	
GEAR CASE	
STORAGE	22
SPECIFICATIONS	23
PARTS LIST	
BC2300DL.....	26. 28
BC2600DL.....	26. 30
BC3400DL.....	32. 34
BC4400DW	36. 38



Safety Precautions

■ In order to ensure proper and safe operation of your brushcutter

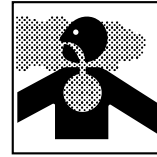
- Read this Owner/Operator Manual carefully. Be sure you understand how to operate this unit properly before you use it. Failure to do so could result in serious injury.



- Be sure to keep this manual handy so that you may refer to it later whenever any questions arise. Also note that you are requested to contact the dealer from whom you purchased the product for assistance in the event that you have any questions which cannot be answered herein.
 - Always be sure to include this manual when selling, lending, or otherwise transferring the ownership of this product.
- This product has been designed for use in cutting grass, and it should never be used for any other purpose since doing so could result in unforeseen accidents and injuries occurring.
 - You should never use this brushcutter when under the influence of alcohol, when suffering from exhaustion or lack of sleep, when suffering from drowsiness as a result of having taken cold medicine, or at any other time when a possibility exists that your judgment might be impaired or that you might not be able to operate the brushcutter properly and in a safe manner. Also be sure never to allow children or anyone unable to fully understand the directions given in this manual to use this brushcutter.



- Avoid running the engine indoors. The exhaust gases contain harmful carbon monoxide.



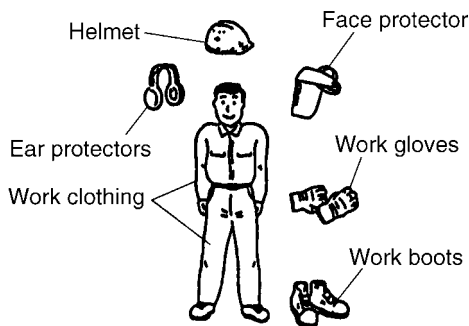
- Never use your brushcutter under circumstances like those described below:
 1. When the ground is slippery or when other conditions exist which might make it not possible to maintain a steady posture while using the brushcutter.
 2. At night, at times of heavy fog, or at any other times when your field of vision might be limited and it would be difficult to gain a clear view of the area where the brushcutter is to be used to ensure safety.
 3. During rain storms, during lightning storms, at times of strong or gale-force winds, or at any other times when weather conditions might make it unsafe to use this product.
- When using this product for the first time, before beginning actual work, take the brushcutter to a wide, clear, open space, turn on the power, and practice handling the brushcutter until you are sure that you will be able to handle it properly in actual operation.
- Lack of sleep, tiredness, or physical exhaustion results in lower attention spans, and this in turn leads to accidents and injury. When planning your work schedule, allow plenty of time to perform the work of cutting and allow plenty of time for rest. Limit the amount of time over which the brushcutter is to be used continuously to somewhere around 30~40 minutes per session, and take 10~20 minutes of rest between work sessions. Also try to keep the total amount of work performed in a single day under 2 hours or less.



Safety Precautions

■ Work gear and clothing

- When using your brushcutter, always be sure to wear strong, durable, work clothing; shirts should be long-sleeved shirts and pants should be full-length pants reaching down to the ankles.
- Always be sure to wear helmet and face protector when using your brushcutter.
- When using your brushcutter, always be sure to wear thick work gloves to protect your hands and non-slip-sole work boots to prevent you from slipping. Never use your brushcutter when wearing pants with loose cuffs, when wearing sandals, or when barefoot.
- When using your brushcutter for an extended period of time, you should wear ear protectors to protect yourself from loss of hearing from overexposure to high levels of sound.



■ Warnings considering handling of fuel

- The engine of the RedMax® brushcutter is designed to run on a mixed fuel which contains highly flammable gasoline. This fuel is highly flammable and you should never store cans of fuel or refill the tank of the brushcutter in any place where there is a boiler, stove, wood fire, electrical sparks, welding sparks, or any other source of heat or fire which might ignite the fuel.



- Smoking while operating the brushcutter or refilling its fuel tank is extremely dangerous. Always be sure to keep lit cigarettes away from the brushcutter at all times.
- When refilling the tank, always turn off the engine first and take a careful look around to make sure that there are no sparks or open flames anywhere nearby before refueling.
- If any fuel spillage occurs during refueling, always be sure to use a dry rag to wipe any fuel which has been spilled onto the brushcutter before turning the engine back on again.
- After refueling, screw the fuel cap back tightly onto the fuel tank and then carry the brushcutter to a spot 10 feet (3m) or more away from where it was refueled before turning on the engine.



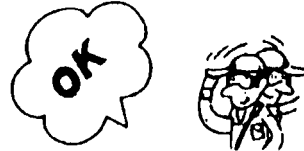
Safety Precautions

■ Things to check before using your brushcutter

- Before beginning work, look around carefully to get a feel for the shape of the land, grass to be trimmed, and whether or not there are any obstacles which might get in the way while working, and remove any obstacles before beginning work.
- The area within a perimeter of 50 feet (15m) of the person using the brushcutter should be considered a hazardous area into which no one should enter while the brushcutter is in use, and when necessary yellow warning rope, warning signs, or some other form of warnings should be placed around the perimeter of the area. When work is to be performed simultaneously by two or more persons, care should also be taken to constantly look around or otherwise check for the presence and locations of other people using brushcutters within the work area so as to maintain a distance between each person sufficient to ensure safety.
- Before beginning work, each component of the brushcutter should be checked to make sure that it is in proper working order and to make sure that there are no loose screws or bolts, fuel leaks, ruptures, dents, or any other problems which might interfere with safe operation. Be especially careful at this time to check that there is nothing wrong with the blades or with the joints by which the blades are attached to the brushcutter.

■ Things to check before starting up the engine

- Take a careful look around to make sure that no obstacles exist within a perimeter of 15 feet (5m) or less around the brushcutter before starting the engine.



- The RedMax brushcutter is equipped with a centrifugal clutch mechanism which causes the cutting blades to begin to rotate as soon as the engine is started by putting the throttle into the start position. When starting the engine, place the body of the engine brushcutter onto the ground in a flat clear area and hold it firmly in place so as to ensure that neither the blades nor the throttle come into contact with any obstacles when the engine starts up.
- Never place the throttle into the high speed position when starting the engine.
- After starting up the engine, check to make sure that the blades stop rotating when the throttle is moved fully back to its original position. If the blades continue to rotate even after the throttle has been moved fully back, turn off the engine and take the unit to your authorized Red Max servicing dealer for repair.

■ AVOID NOISE PROBLEM

NOTE

Check and follow the local regulations as to sound level and hours of operations for brushcutter.

- In general, operate brushcutters between 8a.m. and 5p.m. on week days and 9a.m. to 5p.m. weekends. Avoid using brushcutter late at night and/or early in the morning.



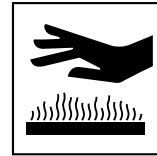
Safety Precautions

■ Things to be careful about when using your brushcutter

- When using your brushcutter, grip the handles of the brushcutter firmly with both hands, place your feet slightly apart (slightly further apart than the width of your shoulders) so that your weight is distributed evenly across both legs, and always be sure to maintain a steady, even posture while working.
- Maintain the speed of the engine at the level required to perform cutting work, and never raise the speed of the engine above the level necessary.
- Always be sure never to allow other persons to come within the work area while cutting.
- Be especially careful not to slip if it is raining or if rain has just stopped, as the ground is likely to be slippery at such times.
- If the grass or other object gets caught in the blade during operation, always be sure to turn off the engine before removing the object.
- Guard against hazardous situations at all times. Warn adults to keep pets and children away from the area. Establish a safe method for gaining your attention during operation. Be careful if you are approached.
- If someone calls out or otherwise interrupts you while working, always be sure to turn off the engine before turning around.
- Keep operation area clear of all persons, particularly small children and pets. Injury may result from flying debris.
- Never touch the spark plug or plug cord while the engine is in operation. Doing so may result in being subjected to an electrical shock.



- Never touch the muffler, spark plug, or other metallic parts of the engine while the engine is in operation or immediately after shutting down the engine. These metallic parts reach high temperatures during operation and doing so could result in serious burns.



- When you finish cutting in one location and wish to continue work in another spot, turn off the engine, place the protective cover over the blades, and turn the brushcutter so that the blade face away from your body before carrying it to the new location.
- Never transport the brushcutter over rough roads over long distances without removing all fuel from the fuel tank. If doing so, fuel might leak from the tank during transport.



Safety Precautions

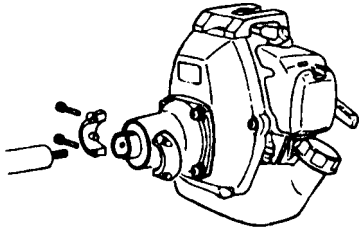
■ Notes on care and maintenance of your brushcutter

- In order to maintain your brushcutter in proper working order, perform the maintenance and checking operations described in this manual at regular intervals. In the event that any parts must be replaced or any maintenance or repair work not described in this manual must be performed, please contact a representative from the store nearest RedMax authorized servicing dealer for assistance.
- Under no circumstances should you ever take apart the brushcutter or alter it in any way. Doing so might result in the brushcutter becoming damaged during operation or the brushcutter becoming unable to operate properly.
- Always be sure to turn off the engine before performing any maintenance or checking procedures.
- When sharpening, removing, or reattaching the blade, be sure to wear thick, sturdy gloves and use only proper tools and equipment to prevent injury.
- When replacing blade or any other parts or when replacing the oil or any lubricants, always be sure to use only RedMax products or products which have been certified by RedMax for use with the RedMax brushcutter.
- Do not use any accessory or attachment other than those bearing the RedMax mark and recommended for the unit.

Set up

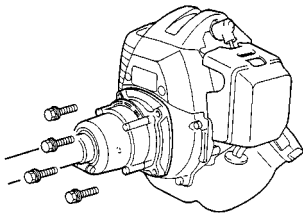
■ MOUNTING ENGINE (BC2300DL & BC2600DL)

1. Remove the clamp temporarily attached to the clutch housing.
2. Push the driveshaft toward the gearcase and rotate it by hand to check that the driveshaft is engaged with the gears.
3. Insert the shaft tube into the clutch housing until it bottoms. When difficult to engage, twist the engine slightly.
4. Align the positioning holes on the clutch housing and the shaft tube and fit the boss on the clamp into the holes. Fasten the clamp securely.



(BC3400DL & BC4400DW)

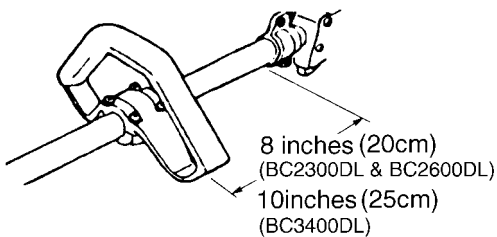
- Put the engine onto the clutch side end of the driveshaft assembly, making the fuel tank and the cutter head come to the same side. Attach the engine firmly with the 4 screw provided.



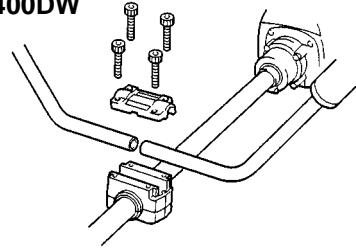
■ INSTALLING HANDLE

- Mount the handle to the shaft tube and clamp it at your best operating position.

BC2300DL/BC2600DL/BC3400DL

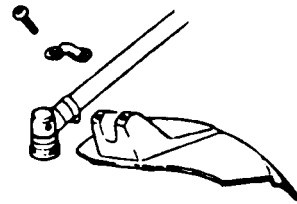


BC4400DW



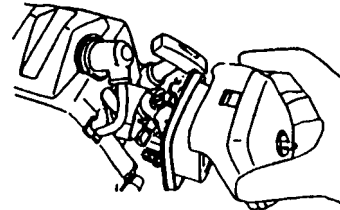
■ INSTALLING DEBRIS GUARD

- Put the debris guard on the shaft tube near the gear box, attach it with the 2 screws and hardware provided.

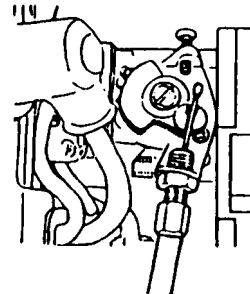


■ CONNECTING THROTTLE WIRE

1. Remove the air cleaner cover.



2. Connect the end of the throttle wire to the joint on the top of the carburetor.



NOTE

(BC3400DL & BC4400DW)

- When installing the cleaner cover, make sure to put the high-tension wire in it.

Set up

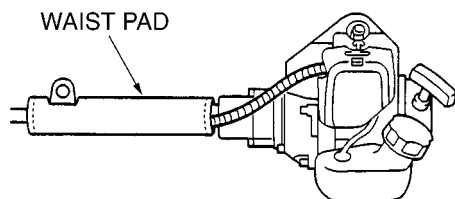
■ CONNECTING SWITCH WIRES

- Connect the switch wires between the engine and the main unit. Pair the wires of the same color.

■ PUTTING ON WAIST PAD

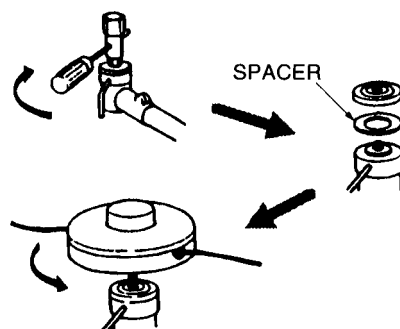
(BC4400DW only)

- Warp the waist pad around the shaft tube and the throttle wire.



■ INSTALLING CUTTING HEAD

1. While locking the gear shaft by inserting the attached bar into the upper holder and the gear box, loosen and remove the hexagon bolt(left-handed)
2. Fit the spacer attached to the head assembly between the upper and lower holders. Then screw in the cutting head to the gear shaft over the holders. Hand-tighten it securely.



Fuel

⚠ WARNING

- **Gasoline is very flammable. Avoid smoking or bringing any flame or sparks near fuel. Make sure to stop the engine and allow it cool before refueling the unit. Select outdoor bare ground for fueling and move at least 3m(10ft) away from the fueling point before starting the engine.**



- The RedMax engines are lubricated by oil specially formulated for air-cooled 2-cycle gasoline engine use. If RedMax oil is not available, use an anti-oxidant added quality oil expressly labeled for air-cooled 2-cycle engine use.

RECOMMENDED MIXING RATIO GASOLINE 32:OIL 1



- **Exhaust emission are controlled by the fundamental engine parameters and components (eq., carburation, ignition timing and port timing) without addition of any major hardware or the introduction of an inert material during combustion.**

32:1 MIXING CHART

GASOLINE	gal.	1	2	3	4	5
2-CYCLE OIL	fl.oz	4	8	12	16	20

GASOLINE	liter	1	2	3	4	5
2-CYCLE OIL	ml	32	64	96	128	160

- These engines are certified to operate on unleaded gasoline.
- Make sure to use gasoline with a minimum octane number of 90 ROZ(USA/Canada : pump octane min.87)
- Unleaded gasoline is recommended to reduce the contamination of the air for the sake of your health and the environment.

- Poor quality gasolines or oils may damage sealing rings, fuel lines or fuel tank of the engine.

■ HOW TO MIX FUEL

1. Measure out the quantities of gasoline and oil to be mixed.
2. Put some of the gasoline into a clean, approved fuel container.
3. Pour in all of the oil and agitate well.
4. Pour in the rest of gasoline and agitate again for at least one minute.
5. Put a clear indication on the outside of the container to avoid mixing up with gasoline or other containers.
6. Indicate the contents on outside of container for easy identification.

■ FUELING THE UNIT

1. Untwist and remove the fuel cap. Rest the cap on a dustless place.
2. Put fuel into the fuel tank to 80% of the full capacity.
3. Fasten the fuel cap securely and wipe up any fuel spillage around the unit.

⚠ WARNING

1. Select bare ground for fueling.
2. Move at least 10 feet (3 meters) away from the fueling point before starting the engine.
3. Stop the engine before refueling the unit.

FOR YOUR ENGINE LIFE, AVOID;

1. **FUEL WITH NO OIL(RAW GASOLINE)** – It will cause severe damage to the internal engine parts very quickly.
2. **GASOHOL** – It can cause deterioration of rubber and/or plastic parts and disruption of engine lubrication.
3. **OIL FOR 4-CYCLE ENGINE USE or WATER COOLED 2-CYCLE ENGINE USE** – It can cause spark plug fouling, exhaust port blocking, or piston ring sticking.
4. **Mixed fuels which have been left unused for a period of one month or more** may clog the carburetor and result in the engine failing to operate properly.

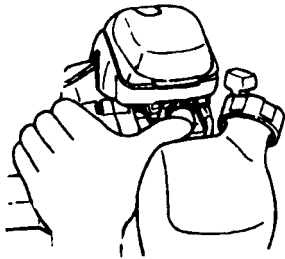
Operation

⚠ WARNING

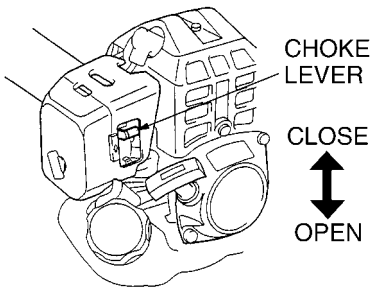
- Keep bystanders and animals at least 50 feet (15m) away from the operating point. If you are approached, immediately stop the engine.

■ STARTING ENGINE

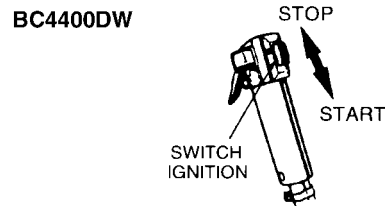
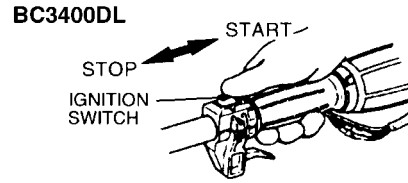
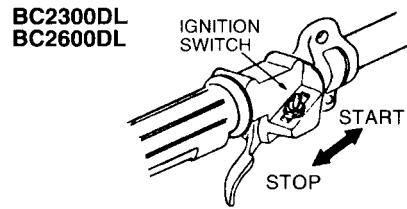
1. Rest the unit on a flat, firm place. Keep the cutting head off the ground and clear of surrounding objects as it will start rotating upon starting of the engine.
2. Pump the primer until fuel flows out in the clear tube.



3. Move the choke lever upward to close the choke.

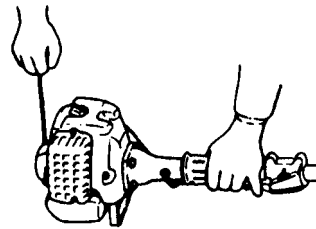


4. Shift the ignition switch to the START position.



5. (For BC2300DL/BC2600DL/BC3400DL)

- While pulling the throttle lever with the little finger of your left hand, pull the starter rope.



- (For BC4400DW)

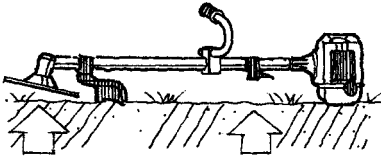
- Lock the throttle lever at the start position as shown in the figure right. While holding the unit firmly against the ground, pull the starter rope vigorously.



Operation

⚠ WARNING

- The product is equipped with a centrifugal clutch mechanism, so the cutting attachment begins to rotate as soon as the engine is started by putting the throttle into the start position. When starting the engine, place the product onto the ground in a flat clear area and hold it firmly in place so as to ensure that neither the cutting part nor the throttle come into contact with any obstacle when the engine starts.



NOTE

- Avoid pulling the rope to its end or returning it by releasing the knob. Such actions can cause starter failures.
6. When the engine has started, move the choke lever gradually downward to open the choke.
 7. Allow the engine to warm up for a half minute before starting operation.

NOTE

1. When restarting the engine immediately after stopping it, leave the choke open.
2. Overchoking can make the engine hard to start due to excess fuel. When the engine failed to start after several attempts, open the choke and repeat pulling the rope, or remove the spark plug and dry it.

■ STOPPING ENGINE

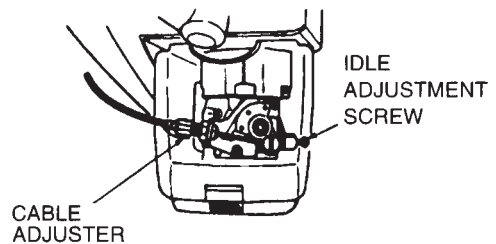
1. Release the throttle lever and run the engine for a half minute.
2. Shift the ignition switch to the STOP position.

NOTE

- Except for an emergency, avoid stopping the engine while pulling the throttle lever.

■ ADJUSTING IDLING SPEED

1. When the engine tends stop frequently at idling mode, turn the adjusting screw clockwise.
2. When the cutting head keeps rotating after releasing the trigger, turn the adjusting screw counter-clockwise.



NOTE

- Warm up the engine before adjusting the idling speed.

■ LINE HEAD USAGE

⚠ WARNING

1. Always wear eye protection such as safety goggles. Never lean over the rotating cutting head. Rocks or other debris could be thrown into eyes and face and cause serious personal injury.
2. Keep the debris guard attached in place at all times when the unit is operated.

TRIMMING GRASS AND WEEDS

- Always remember that the TIP of the line does cutting. You will achieve better results by not crowding the line into the cutting area. Allow the unit to trim at its own pace.
1. Hold the unit so the head is off the ground and is tilted about 20 degrees toward the sweep direction.





Operation

2. Use full throttle when cutting.
3. You can avoid thrown debris by sweeping from your left to the right.
4. Use a slow, deliberate action to cut heavy growth. The rate of cutting motion will depend on the material being cut. Heavy growth will require slower action than will light growth.
5. Never swing the unit so hard as you are in danger of losing your balance or control of the unit.
6. Try to control the cutting motion with the hip rather than placing the full workload on the arm and hands.
7. Take precautions to avoid wire, grass and dead, dry, long-stem weeds from wrapping around the head shaft. Such materials can stall the head and cause the clutch to slip, resulting in damage to the clutch system if repeated frequently.

ADJUSTING THE LINE LENGTH

- Your brushcutters is equipped with a semi-auto type nylon line head that allows the operator to advance the line without stopping the engine. When the line becomes short, lightly tap the head on the ground while running the engine at full throttle.
- Each time the head is bumped, the line advance about 1 inch(25.4 mm). For better effect, tap the head on bear ground or hard soil. Avoid bumping in thick, tall grass as the engine may stall by overload.

Optional blade usage

OPT1 CUTTER APPLICATION CHART	Saw blade	8-teeth blade	4-teeth blade	Nylon line head	
	6298-11313 10"	6298-15343 10"	6298-14343 10"	PT104 4"	PT100 6"
BC2300DL	—	—	—	○	
BC2600DL	—	—	—	○	
BC3400DL	○	○	○		○
BC4400DW	○	○	○		○
Under growth 	○				
Heavy weeds 		○			
Light weeds 			○		
Grass 				○	

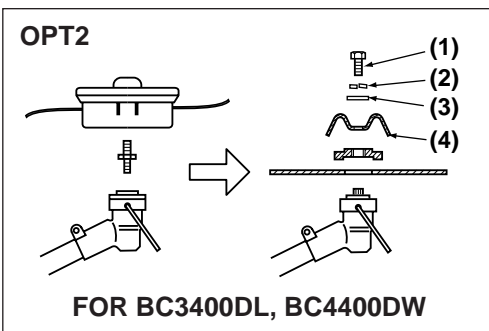
■ CHOOSE THE BLADE

Choose a suitable recommended cutting attachment according to the object to be cut. (OPT1)

- When replacing blade always be sure to use products which have been certified by RedMax.

⚠ WARNING

- When sharpening, removing, or reattaching the blade, be sure to wear thick, sturdy gloves and use only proper tools and equipment to prevent injury.

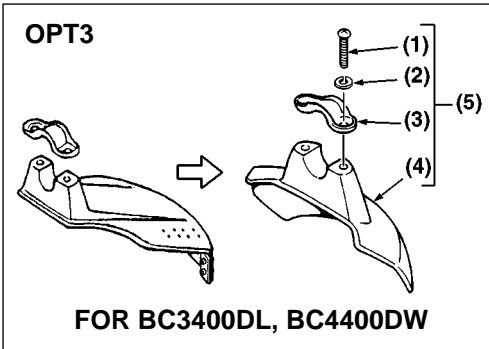


■ SET UP

1. Detach the line head assembly completely. (OPT2)
2. Put on the blade, making the marked side face the holder, put on the outer holders, and fasten the blade with the blade nut. (OPT2)

- (1) Bolt : 3579-33260 (M8, LH)
 (2) Spring washer : 3310-43210
 (3) Plane washer : 01643-30823
 (4) Cover : 3520-13284

Optional blade usage

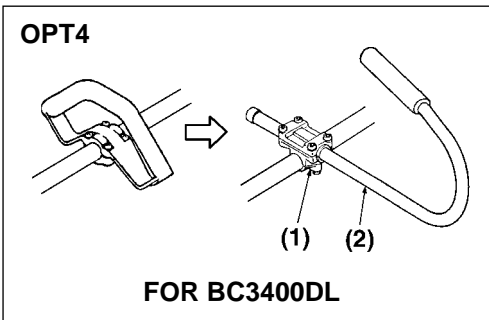


IMPORTANT

Change to the debris guard which is suitable for the metal blade. (OPT3)

- (1) Bolt : 3540-24130 x 2 pieces
- (2) Spring washer : 0290-20615 x 2 pieces
- (3) Clamp : 3541-24121
- (4) Guard : 3541-24112
- (5) Guard ass'y : 3541-24001

TIGHTENING TORQUE: 130~174 in-lbs
(14.7~19.6 N.m.)



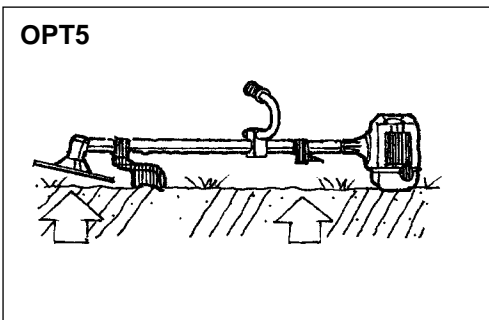
IMPORTANT

Change the loop handle to the J-handle for safe operation. (OPT4)

- (1) Bracket : 3532-14102
- (2) J-handle : 6367-14200

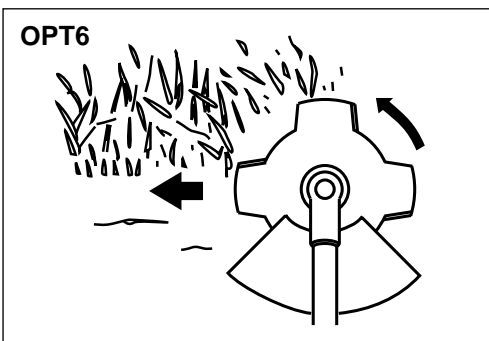
■ STARTING ENGINE

Please refer to P.10 ■ STARTING ENGINE



⚠ WARNING

- The product is equipped with a centrifugal clutch mechanism, so the cutting attachment begins to rotate as soon as the engine is started by putting the throttle into the start position. When starting the engine, place the product onto the ground in a flat clear area and hold it firmly in place so as to ensure that neither the cutting part nor the throttle come into contact with any obstacle when the engine starts.



■ CUTTING METHOD

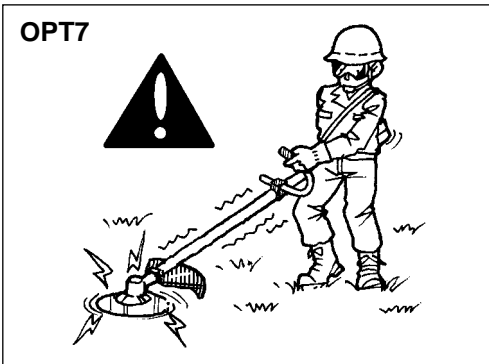
- a) Use the front left side cutting.
- b) Guide the blade from your right to left with it tilted slightly to your left. (OPT6)
- c) When mowing a wide area, start working from your left end to avoid interference of cut grass.
- d) The blade may be seized by weeds if the engine speed is too low, or the blade cuts too deep into weeds. Adjust the engine speed and cutting

Optional blade usage

depth according to the condition of object.

⚠ WARNING

- If the grass or other object gets caught in the blade, or if the unit starts to shake or vibrate, turn off the engine and check the whole unit. Change the blade if it has been damaged.
- Turn off the engine and make sure the blade has completely stop before checking the blade, and removing any object got caught in.

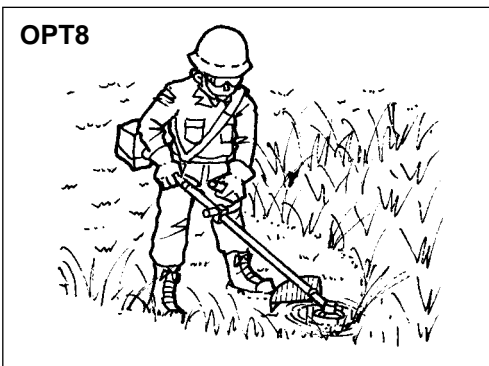


■ OPERATION

1. Check the bolt to fasten the blade and be sure the bolt has no fault, and no abrasion.
2. Be sure that the blade and the holder have been fastened according to instruction and the blade turns smoothly without abnormal noise. (OPT7)

⚠ WARNING

- The rotating parts fastened incorrectly may cause serious accident to the operator.
- Make sure that the blade is not bent, warped, cracked, broken or damaged.
- If you find any error to the blade, discard it and change new one which is certified by RedMax.



- By using the shoulder strap, hang the unit on your right side. Adjust the strap length so that the cutting head may become parallel to the ground.(OPT8)

⚠ WARNING

Make sure to use shoulder strap and debris guard. If not, it is vary dangerous when you slip or lose your balance.



■ CONTROLLING BLADE BOUNCE

- Kick out can cause serious personal injury. **Carefully study this section.** It is important that you understand what causes kick out, how you can reduce the chance of kick out and how you can remain in control of the unit if kick out does occur.

1. What causes kick out:

- Kick out can occur when the moving blade contacts an object that it cannot cut. This contact causes the blade to stop for an instant and then suddenly move or "bounce" away from the object that was hit. The operator can lose control of the unit and the blade can cause serious personal injury to the operator or any person nearby if the blade contacts any part of the body.

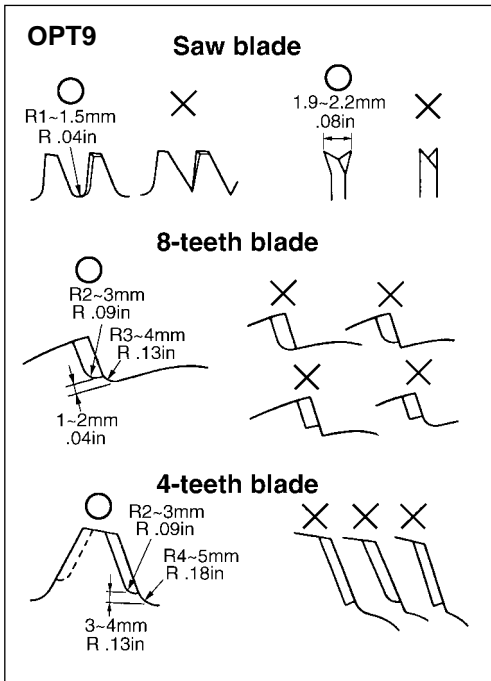
2. How you can reduce the chance of kick out:

- a. Recognize that kick out can happen. By understanding and knowing about bounce, you can help eliminate the element of surprise.
- b. **Cut fibrous weeds and grass only.** Do not let the blade contact materials it cannot cut such as hard, woody vines and brush or rocks, fences, metal, etc
- c. Be extra prepared for bounce if you must cut where you cannot see the blade making contact such as in areas of dense growth.
- d. **Keep the blade sharp.** A dull blade increase the chance of bounce.
- e. Avoid feeding the blade too rapidly. The blade can bounce away from material being cut if the blade is fed faster than its cutting capability.
- f. Cut only from your right to your left.
- g. Keep your path of advance clear of material that has been cut and other debris.

Optional blade usage

3. How you can maintain the best control:

- Keep a good, firm grip on the unit with both hands. A firm grip can help neutralize bounce. Keep your right and left hands completely around the respective handles.
- Keep both feet spread apart in a comfortable stance and yet braced for the possibility that the unit could bounce. Do not overreach. Keep firm footing and balance.



■ MAINTENANCE

BLADE

- Check the blade and the fasteners for looseness, cracking, or bending.
- Check the cutting edges and reform with a flat file.

Point (OPT8) :

- Keep the end corner sharp.
- Round the root of the edge, using round file.
- Do not use water when using a grinder.

IMPORTANT

- It is recommended that filing should be done by professionals.
- Especially regarding filing the saw blade, Leave it to the professionals.

■ TRANSPORTING THE UNIT

- When you finish cutting in one location and wish to continue work in another spot, turn off the engine, and lift up the unit and carry it paying attention to the blade.
- Never forget to place the protective cover over the blades.
- When transporting the unit over long distances, detach the blade fix the unit by ropes.

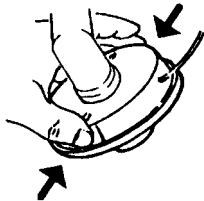
Maintenance

⚠ WARNING

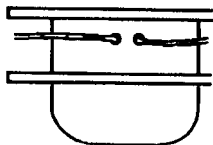
- Always be sure to stop the engine before inspecting the brushcutter for problems or performing maintenance.
- Never alter the brushcutter or take the engine apart.
- When replacing parts, always be sure to use only RedMax products or products which have been certified by RedMax for use with the RedMax brushcutter.
- Things to check before using brushcutter

■ REFILLING TRIMMING LINE

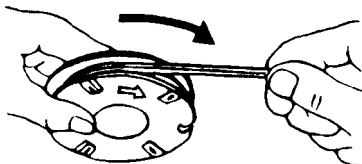
1. For replacement line, use a diameter of .095 in(2.4 mm). The spool is capable for a line upto 27 ft(8 m)on the 4" head, and 46 ft(14m)on the 6" head. Avoid using a larger line as it may cut down the trimming performance. For safety reasons, do not use metalreinforced line.
2. Pinch the slotted area on the both sides of the spool housing to unhook the bottom cap.



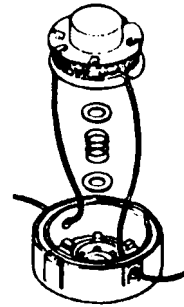
3. Take out the spool and pull off the old line. Put one end of new line through the spool holes and pull it until the length is equal between each part of the line.



4. Wind up the line in the correct as indicated on the spool.



5. Hook each end of the line in the slot on the edge of the spool, and then put the ends through the eyelets on the housing. Make sure that the spring and the washers are in place.



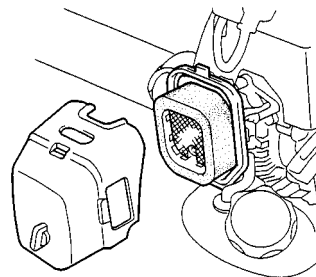
6. While holding the spool against the housing, pull the line ends to release them from the slot.
7. Line up the slot on the bottom cap with the hook on the housing, press the cap against the housing until it clicks.

⚠ WARNING

- Make sure that the engine has stopped and is cool before performing any service to the brushcutter. Contact with moving cutting head or hot muffler may result in a personal injury.

■ AIR FILTER

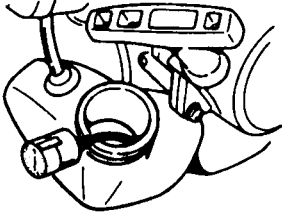
- The air filter, if clogged, will reduce the engine performance. Monthly check and clean the filter element in warm, soapy water as required. Dry completely before installing. If the element is broken or shrunk, replace with a new one.



Maintenance

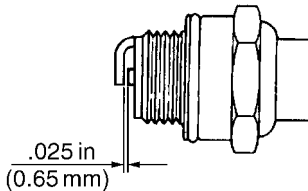
■ FUEL FILTER

- When the engine runs short of fuel supply, check the fuel cap and the fuel filter for blockage.



■ SPARK PLUG

- Starting failure and mis-firing are often caused by a fouled spark plug. Periodically clean the spark plug and check that the spark gap is in the correct range. For a replacement plug, use the correct type specified by RedMax (See SPECIFICATIONS on the page 23).



- **REPLACEMENT PLUG IS A CHAMPION RCJ6Y OR THE EQUIVALENT, SUCH AS BOSCH WSR8E OR NGK BPMR7A.**

IMPORTANT

- Note that using any spark plugs other than those designated may result in the engine failing to operate properly or in the engine becoming overheated and damaged.
- To install the spark plug, first turn the plug until it is finger tight, then tighten it a quarter turn more with a socket wrench.

■ MUFFLER

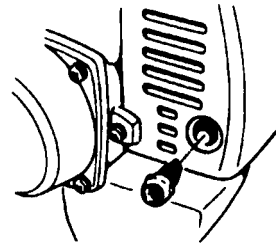
▲ WARNING

- Inspect periodically, the muffler for loose fasteners, any damage or corrosion. If any sign of exhaust leakage is found, do not use the brushcutter and have it repaired immediately.

- **Note that failing to do so may result in the engine catching on fire.**

■ SPARK ARRESTER

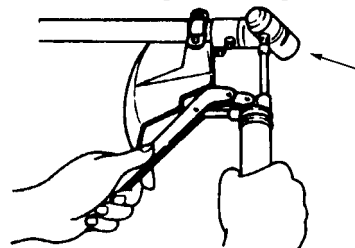
- The muffler is equipped with a spark arrester to prevent red hot carbon from flying out of the exhaust outlet. Periodically inspect and clean as necessary with a wire brush. In the State of California it is required by law (Section 4442 of the California Public Resources Code) to equip a spark arrester when a gas powered tool is used in any forest covered, brush covered, or grass covered unimproved land.



■ GEAR CASE

- The reduction gears are lubricated by multipurpose, lithium-based grease in the gear case. Supply new grease every 50 hours of use or more often depending on the job condition.

Remove the cutter holders before installing new grease to arrange for old grease to exit.



Maintenance

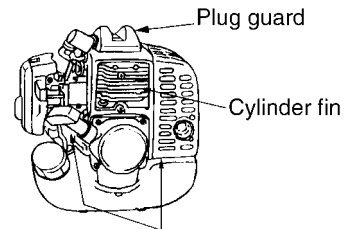
■ INTAKE AIR COOLING VENT

WARNING

- **Never touch the cylinder, muffler, or spark plugs with your bare hands immediately after stopping the engine. The engine can become very hot when in operation, and doing so could result in severe burns.**
- **When checking the brushcutter to make sure that it is okay before using it, check the area around the muffler and remove any wood chips or leaves which have attached themselves to the brushcutter. Note that failing to do so could cause the muffler to become overheated, and that this in turn could cause the brushcutter to catch on fire. Always make sure that the muffler is clean and free of wood chips, leaves, and other waste before use.**
- Check the intake air cooling vent and the area around the cylinder cooling fins after every 25 hours of use for blockage, and remove any waste which has attached itself to the brushcutter. Note that it is necessary to remove the plug guard shown in Figure 20 in order to be able to view the upper part of the cylinder.

IMPORTANT

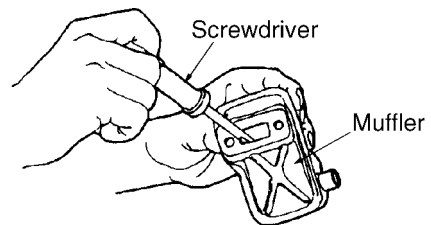
- If waste gets stuck and causes blockage around the intake air cooling vent or between the cylinder fins, it may cause the engine to overheat, and that in turn may cause mechanical failure on the part of the brushcutter.



Intake air cooling vent (back)

■ PROCEDURES TO BE PERFORMED AFTER EVERY 100 HOURS OF USE

1. Remove the muffler, insert a screwdriver into the vent, and wipe away any carbon buildup. Wipe away any carbon buildup on the muffler exhaust vent at the same time.



2. Tighten all screws, bolts, and fittings.
3. Check to see if any oil or grease has worked its way in between the clutch lining and drum, and if it has wipe it away using oil-free, lead-free gasoline.

Storage

- Aged fuel is one of major causes of engine starting failure. Before storing the unit, empty the fuel tank and run the engine until it uses all the fuel left in the fuel line and the carburetor. Store the unit indoor taking necessary measures for rust prevention.

Specifications

■ BC2300DL

Overall size(LxWxH)	70.5x12.4x12.8(in) / 1790x315x325(mm)
Dry weight w/o acc.	9.5(lbs) / 4.75(kg)
Engine Type.....	Air-cooled 2-stroke gasoline
Model	Zenoah G23L
Displacement	22.5(cc)
Max. output.....	1.0(HP)at 7500rpm
Fuel	Mixture(Gasoline 32:Oil 1)
Carburetor	Walbro Diaphragm type
Spark plug	Champion RCJ6Y
Fuel tank capacity	20.5(fl.oz) / 0.6(ℓ)
Transmission.....	Centrifugal clutch,Rigid driveshaft
Reduction ratio	1.357
Cutting head rotating direction	Counter-clockwise(Operator view)
Standard Accessories	
4 in. 2-line Head	1 pc.
Shoulder Strap	1 pc.
Goggle.....	1 pc.
Tool Kit	1 pc.

■ BC2600DL

Overall size(LxWxH)	71.7x12.4x13.2(in) / 1821x315x335(mm)
Dry weight w/o acc.	11.8(lbs) / 5.9(kg)
Engine Type.....	Air-cooled 2-stroke gasoline
Model	Zenoah G26L
Displacement	25.4(cc)
Max. output.....	1.2(HP)at 7500rpm
Fuel	Mixture(Gasoline 32:Oil 1)
Carburetor	Walbro Diaphragm type
Spark plug	Champion RCJ6Y
Fuel tank capacity	25.0(fl.oz) / 0.7(ℓ)
Transmission.....	Centrifugal clutch,Rigid driveshaft
Reduction ratio	1.357
Cutting head rotating direction	Counter-clockwise(Operator view)
Standard Accessories	
4 in. 2-line Head	1 pc.
Shoulder Strap	1 pc.
Goggle.....	1 pc.
Tool Kit	1 pc.

Specifications are subject to change without notice.

Specifications

■ BC3400DL

Overall size(LxWxH)	67.7x12.6x13.6(in) / 1720x320x345(mm)
Dry weight w/o acc.	13.4(lbs) / 6.7(kg)
Engine Type.....	Air-cooled 2-stroke gasoline
Model	Zenoah G34L
Displacement	33.6(cc)
Max. output.....	1.6(HP)at 7000rpm
Fuel	Mixture(Gasoline 32:Oil 1)
Carburetor	Walbro Diaphragm type
Spark plug	Champion RCJ6Y
Fuel tank capacity	25.0(fl.oz) / 0.7(ℓ)
Transmission.....	Centrifugal clutch,Rigid driveshaft
Reduction ratio	1.235
Cutting head rotating direction	Counter-clockwise(Operator view)
Standard Accessories	
6 in. 2-line Head	1 pc.
Shoulder Strap	1 pc.
Goggle.....	1 pc.
Tool Kit	1 pc.

■ BC4400DW

Overall size(LxWxH)	67.7x24.6x20.1(in) / 1720x625x510(mm)
Dry weight w/o acc.	16.0(lbs) / 8(kg)
Engine Type.....	Air-cooled 2-stroke gasoline
Model	Zenoah G43L
Displacement	41.5(cc)
Max. output.....	2.0(HP)at 7000rpm
Fuel	Mixture(Gasoline 32:Oil 1)
Carburetor	Walbro Diaphragm type
Spark plug	Champion RCJ6Y
Fuel tank capacity	31.8(fl.oz) / 0.9(ℓ)
Transmission.....	Centrifugal clutch,Rigid driveshaft
Reduction ratio	1.235
Cutting head rotating direction	Counter-clockwise(Operator view)
Standard Accessories	
6 in. 2-line Head	1 pc.
Shoulder Strap	1 pc.
Goggle.....	1 pc.
Tool Kit	1 pc.

Specifications are subject to change without notice.

BRUSHCUTTERS

BC2300DL
BC2600DL
BC3400DL
BC4400DW

NOTE :

1. Use KOMATSU ZENOAH genuine parts as specified in the parts list for repair and/or replacement.
2. KOMATSU ZENOAH does not warrant the machines, which have been damaged by the use of any parts other than those specified by the company.
3. When placing parts orders for repair and/or replacement, check if the model name and the serial number are applicable to those specified in the parts list, then use parts number described in the parts list.
4. The contents described in the parts list may change due to improvement.
5. The parts for the machine shall be supplied seven (7) years after the machine is discontinued. [It is possible that some specific parts may be subject to change of their delivery term and list price within the limit of ten (7) years after the machine is discontinued. It is also possible that some parts may be available even after the limit of seven (7) years.]

APPLICABLE SERIAL NUMBERS :

Oct.1999

BC2300DL	DRIVE UNIT 500000000 and up	ENGINE UNIT 990639 and up
BC2600DL	DRIVE UNIT 500000000 and up	ENGINE UNIT 978729 and up
BC3400DL	DRIVE UNIT 100101 and up	ENGINE UNIT 100101 and up
BC4400DW	DRIVE UNIT 100101 and up	ENGINE UNIT 100101 and up

Parts List

Fig.1 DRIVE UNIT BC2300DL & BC2600DL

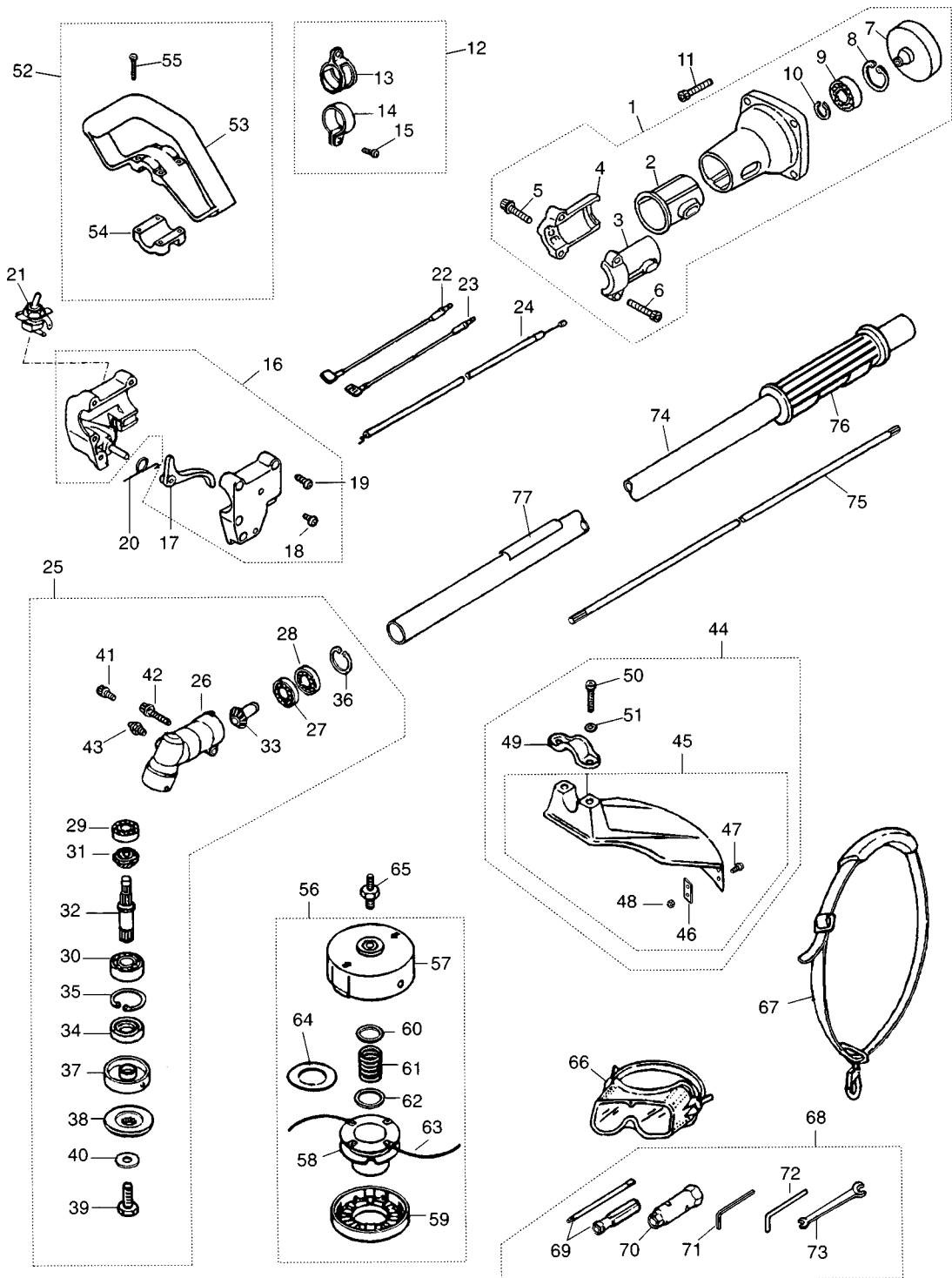


Fig.1 DRIVE UNIT BC2300DL & BC2600DL

Key#	Description	Part Number	Q'ty	Key#	Description	Part Number	Q'ty
1	HOUSING, ASS'Y	6460-11002	1	61	SPRING	6041-99161	1
2	• CUSHION	6470-31230	1	62	PLATE, small	3268-15170	1
3	• BRACKET (A)	6460-31210	1	63	CORD	6460-15180	1
4	• BRACKET (B)	6460-31220	1	64	SPACER	6460-15210	1
5	• BOLT	01252-30514	1	65	SHAFT	PTA008	1
6	• BOLT	01252-30530	2	66	GOGGLE	180773	1
7	• DRUM, clutch	6460-12111	1	67	STRAP ASS'Y	160197	1
8	• SNAP, ring	04065-02812	1	68	TOOL KIT	3550-91000	1
9	• BEARING	06004-06001	1	69	SCREWDRIVER	1030-91340	1
10	• SNAP, ring	04064-01210	1	70	SOCKET	3239-91310	1
11	BOLT	6468-91150	4	71	WRENCH	09007-00425	1
12	HANGER COMP.	6460-17100	1	72	BAR	3540-91110	1
13	HANGER	9366-17110	1	73	SPANNER	3540-91120	1
14	CLAMP	6460-17120	1	74	PIPE COMP.	180771BC	1
15	SCREW	0263-90525	1	75	SHAFT	3520-12212	1
16	LEVER ASS'Y	181124	1	76	GRIP	180770	1
17	THROTTLE LEVER	181689	1	77	DECAL	181127	1
18	SCREW	145569	1				
19	SCREW	180974	4				
20	SPRING	610314	1				
21	STOP SWITCH	180252	1				
22	CORD, red	180768	1				
23	CORD, black	180769	1				
24	CABLE COMP.	6502-82100	1				
25	GEARCASE ASS'Y	6460-13000	1				
26	GEARCASE	6460-13110	1				
27	BEARING	6460-13410	1				
28	BEARING	6460-13420	1				
29	BEARING	6460-13430	1				
30	BEARING	06001-06001	1				
31	GEAR	6460-13220	1				
32	SHAFT	6460-13210	1				
33	PINION	6460-13310	1				
34	OIL SEAL	6460-13140	1				
35	SNAP RING	6460-13340	1				
36	SNAP RING	6460-13350	1				
37	HOLDER(A)	6460-13240	1				
38	HOLDER(B)	6460-13250	1				
39	BOLT	6460-13290	1				
40	WASHER	6460-13370	1				
41	BOLT	01252-50512	1				
42	BOLT	01252-50525	1				
43	FITTING, grease	6460-13360	1				
44	GUARD ASS'Y	6460-24000	1				
45	GUARD COMP.	6460-24100	1				
46	BLADE	6041-24140	1				
47	SCREW	0263-30512	2				
48	NUT	3320-15310	2				
49	CLAMP	3541-24121	1				
50	BOLT	3540-24130	2				
51	WASHER	0290-20615	2				
52	HANDLE ASS'Y	6462-14100	1				
53	HANDLE	6462-14310	1				
54	CLANP	6462-14320	1				
55	SCREW	0263-90535	4				
56	COM. TAP HEAD 4"	PT104	1				
57	CASE	6460-15112	1				
58	CORD HOLDER	6460-15141	1				
59	COVER	6460-15131	1				
60	PLATE, large	3268-15150	1				

Parts List

Fig.2 ENGINE UNIT BC2300DL

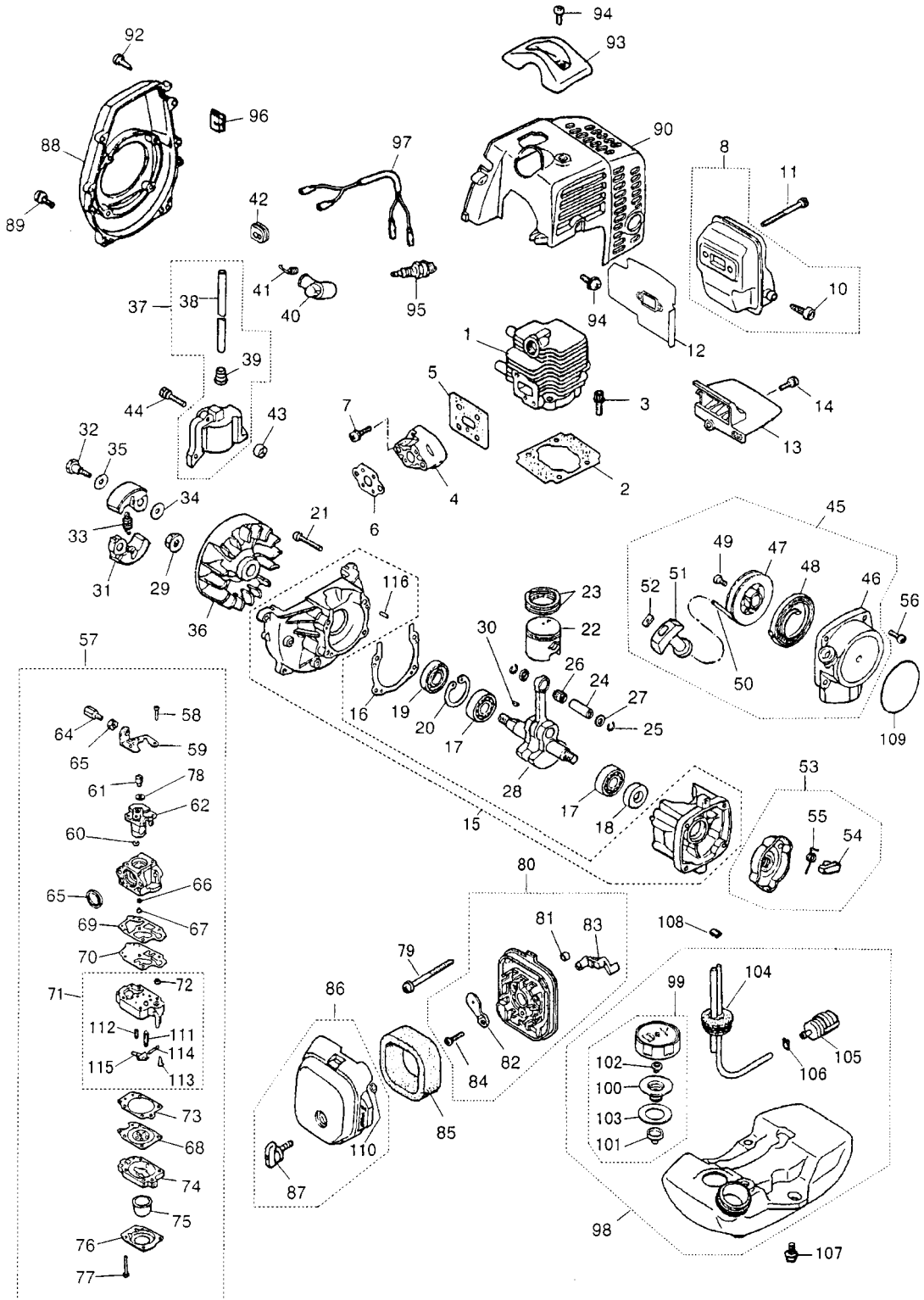


Fig.2 ENGINE UNIT BC2300DL

Key#	Description	Part Number	Q'ty	Key#	Description	Part Number	Q'ty
1	CYLINDER	5580-12110	1	61	SWIVEL	1881-81140	1
2	GASKET,base	5500-12212	1	62	VALVE ASS'Y	_____	1
3	BOLT	1850-12130	2	63	SCREW,adjuster	1918-81170	1
4	INSULATOR	5500-13162	1	64	NUT,adjuster	1751-81180	1
5	GASKET,insulator	5500-13121	1	65	RING	1881-81130	1
6	GASKET,carburetor	5500-13131	1	66	O-RING	1751-81240	1
7	SCREW	0263-90520	2	67	JET	5500-81251	1
8	MUFFLER ASS'Y	5850-15100	1	68	DIAPHRAGM	3310-81260	1
9	_____	_____	—	69	GASKET,pump	1065-81410	1
10	ARRESTER	1601-15120	1	70	DIAPHRAGM,pump	1065-81420	1
11	BOLT	01252-30550	2	71	BODY ASS'Y	1850-81450	1
12	GASKET,muffler	5910-15211	1	72	SCREEN	3306-81380	1
13	PLATE,muffler	5500-15220	1	73	GASKET,diaphragm	1850-81470	1
14	SCREW	0263-90416	1	74	BODY,purge	1850-81490	1
15	CRANKCASE COMP.	5500-21100	1	75	PUMP,priming	1751-81510	1
16	GASKET,case	5500-21141	1	76	COVER,pump	1850-81520	1
17	BEARING	06030-06001	2	77	SCREW	1850-81530	4
18	OIL SEAL	2169-21210	1	78	WASHER	5500-81160	1
19	OIL SEAL	1850-21220	1	79	SCREW	0263-90560	2
20	SNAP RING	04065-02812	1	80	BODY ASS'Y	5500-82102	1
21	SCREW	01252-30530	4	81	SLEEVE	1970-82190	2
22	PISTON	5600-41111	1	82	PLATE,choke	5500-82131	1
23	RING	1100-41210	2	83	LEVER,choke	5500-82140	1
24	PIN	1101-41310	1	84	SCREW	2630-33610	1
25	SNAP RING	1260-41320	2	85	ELEMENT	5500-82171	1
26	BEARING	1140-41330	1	86	COVER ASS'Y	5600-82202	1
27	WASHER	1101-41340	2	87	KNOB	5500-82221	1
28	CRANKSHAFT COMP.	5500-42001	1	88	COVER,fan	5501-31111	1
29	NUT	1650-43230	1	89	SCREW	0263-90520	4
30	KEY	1000-43240	1	90	COVER,engine	5580-32112	1
31	SHOE,clutch	1140-51111	2	91	SCREW	1850-32160	1
32	SCREW	1140-51250	2	92	SCREW	1900-31410	2
33	SPRING	1970-51221	1	93	GUARD,plug	5500-32210	1
34	WASHER	1140-51230	2	94	SCREW	0263-90514	1
35	WASHER	1970-51241	2	95	SPARKPLUG	5602-73110	1
36	ROTOR	5501-71110	1	96	GROMMET	1852-72121	1
37	COIL ASS'Y	5501-71201	1	97	CORD COMP.	5501-73201	1
38	CORD	5500-71220	1	98	TANK ASS'Y	5500-85004	1
39	CAP	2616-71320	1	99	CAP ASS'Y	5601-85200	1
40	CAP	1900-72111	1	100	HOLDER	5601-85230	1
41	SPRING	1900-72120	1	101	CAP,holder	5600-85240	1
42	GROMMET	5500-72130	1	102	VALVE	5600-85250	1
43	SPACER	1260-71261	2	103	PACKING	5500-85220	1
44	BOLT	3310-72150	2	104	PIPE COMP.	5500-85300	1
45	RECOIL ASS'Y	5500-75100	1	105	FILTER ASS'Y	5500-85400	1
46	CASE COMP.	5500-75110	1	106	CLIP	1260-85460	1
47	REEL	1850-75120	1	107	SCREW	5500-85510	3
48	SPRING,spiral	1850-75130	1	108	CLIP	1950-86120	1
49	SCREW	1850-75151	1	109	LABEL	5501-91122	1
50	ROPE	1850-75160	1	110	RING	5500-82230	1
51	KNOB	1140-75320	1	111	VALVE	3356-81310	1
52	PLATE,stopper	5500-75170	1	112	SPRING	1850-81270	1
53	PULLEY ASS'Y	1850-75201	1	113	SCREW	1850-81220	1
54	RATCHET	1850-75221	1	114	PIN	3310-81250	1
55	SPRING	1850-75230	1	115	LEVER	3310-81230	1
56	SCREW	0263-90416	4	116	PIN	2629-21130	3
57	CARBURETOR ASS'Y	5501-81000	1				
58	SCREW	1752-81110	2				
59	BRACKET	5500-81120	1				
60	RING	1751-81130	1				

Parts List

Fig.3 ENGINE UNIT BC2600DL

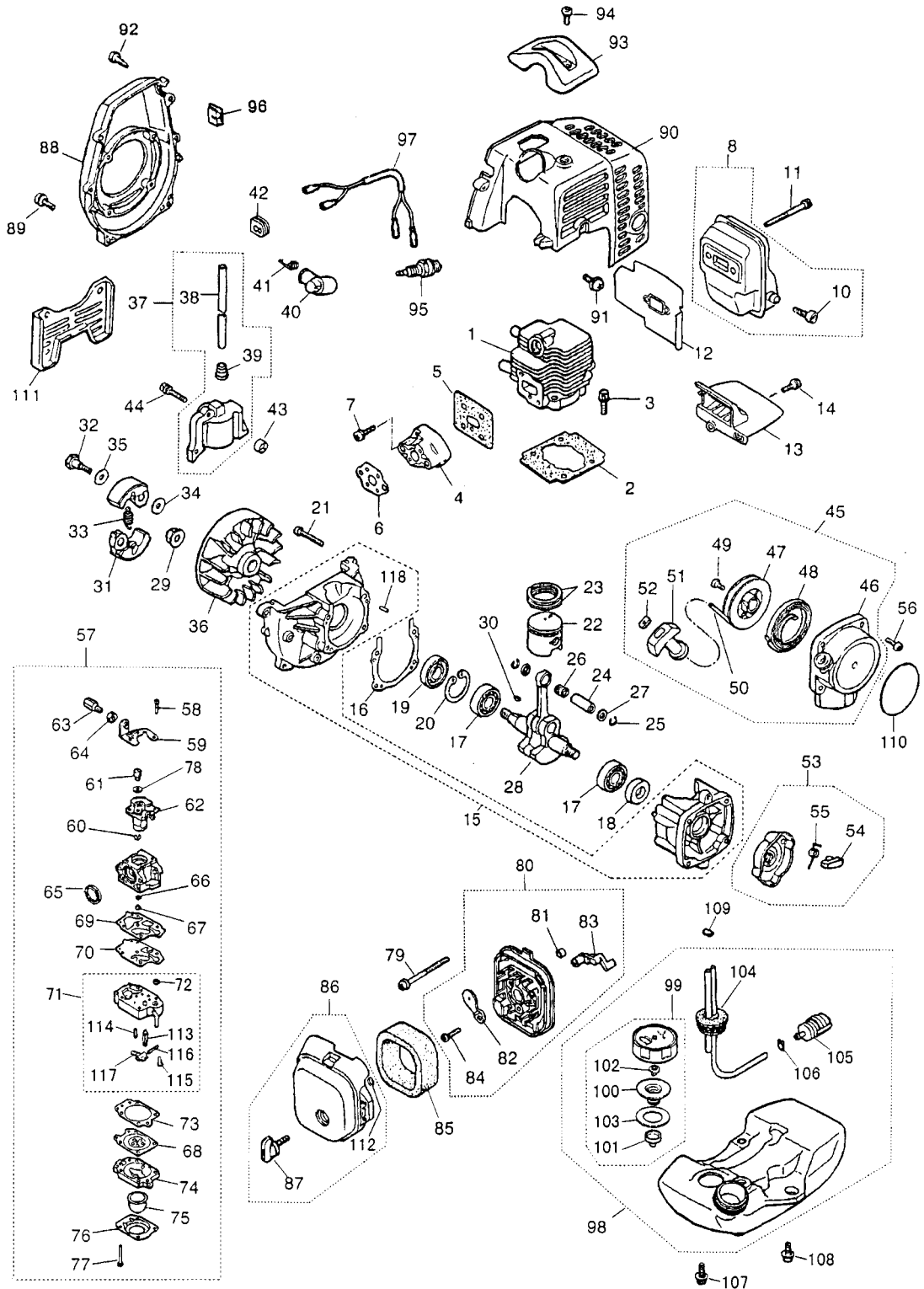


Fig.3 ENGINE UNIT BC2600DL

Key#	Description	Part Number	Q'ty	Key#	Description	Part Number	Q'ty
1	CYLINDER	5911-12110	1	61	SWIVEL	1881-81140	1
2	GASKET,base	5500-12212	1	62	VALVE ASS'Y	_____	1
3	BOLT	1850-12130	2	63	SCREW,adjuster	1918-81170	1
4	INSULATOR	1920-13162	1	64	NUT,adjuster	1751-81180	1
5	GASKET,insulator	5500-13121	1	65	RING	1881-81130	1
6	GASKET,carburetor	5500-13131	1	66	O-RING	1751-81240	1
7	SCREW	0263-90520	2	67	JET	5500-81251	1
8	MUFFLER ASS'Y	5850-15100	1	68	DIAPHRAGM	3310-81260	1
9	_____	_____	—	69	GASKET,pump	1065-81410	1
10	ARRESTER	1601-15120	1	70	DIAPHRAGM,pump	1065-81420	1
11	BOLT	01252-30550	2	71	BODY ASS'Y	1850-81450	1
12	GASKET,muffler	5910-15211	1	72	SCREEN	3306-81380	1
13	PLATE,muffler	5500-15220	1	73	GASKET,diaphragm	1850-81470	1
14	SCREW	0263-90416	1	74	BODY,purge	1850-81490	1
15	CRANKCASE COMP.	5500-21100	1	75	PUMP,priming	1751-81510	1
16	GASKET,case	5500-21141	1	76	COVER,pump	1850-81520	1
17	BEARING	06030-06001	2	77	SCREW	1850-81530	4
18	OIL SEAL	2169-21210	1	78	WASHER	5500-81160	1
19	OIL SEAL	1850-21220	1	79	SCREW	0263-30555	2
20	SNAP RING	04065-02812	1	80	BODY ASS'Y	5500-82102	1
21	SCREW	01252-30530	4	81	SLEEVE	1970-82190	2
22	PISTON	5910-41110	1	82	PLATE,choke	5500-82131	1
23	RING	5910-41210	2	83	LEVER,choke	5500-82140	1
24	PIN	1600-41310	1	84	SCREW	2630-33610	1
25	SNAP RING	1260-41320	2	85	ELEMENT	5500-82171	1
26	BEARING	1140-41330	1	86	COVER ASS'Y	5600-82202	1
27	WASHER	1101-41340	2	87	KNOB	5500-82221	1
28	CRANKSHAFT COMP.	5500-42001	1	88	COVER,fan	5501-31111	1
29	NUT	1650-43230	1	89	SCREW	0263-90520	4
30	KEY	1000-43240	1	90	COVER,engine	5580-32112	1
31	SHOE,clutch	1140-51111	2	91	SCREW	1850-32160	1
32	SCREW	1140-51250	2	92	SCREW	1900-31410	2
33	SPRING	1970-51221	1	93	GUARD,plug	5500-32210	1
34	WASHER	1140-51230	2	94	SCREW	0263-90514	1
35	WASHER	1970-51241	2	95	SPARKPLUG	5602-73110	1
36	ROTOR	5501-71110	1	96	GROMMET	1852-72121	1
37	COIL ASS'Y	5501-71201	1	97	CORD COMP.	5501-73201	1
38	CORD	5500-71220	1	98	TANK ASS'Y	5911-85002	1
39	CAP	2616-71320	1	99	CAP ASS'Y	5601-85200	1
40	CAP,plug	1900-72111	1	100	HOLDER	5601-85230	1
41	SPRING	1900-72120	1	101	CAP,holder	5600-85240	1
42	GROMMET	5500-72130	1	102	VALVE	5600-85250	1
43	SPACER	1260-71261	2	103	PACKING	5500-85220	1
44	BOLT	3310-72150	2	104	PIPE COMP.	5911-85300	1
45	RECOIL ASS'Y	5500-75100	1	105	FILTER ASS'Y	5500-85400	1
46	CASE COMP.	5500-75110	1	106	CLIP	1260-85460	1
47	REEL	1850-75120	1	107	SCREW	5500-85510	2
48	SPRING,spiral	1850-75130	1	108	SCREW	5910-85510	1
49	SCREW	1850-75151	1	109	CLIP	1950-86120	1
50	ROPE	1850-75160	1	110	LABEL	5911-91121	1
51	KNOB	1140-75320	1	111	STAND	1897-31911	1
52	PLATE,stopper	5500-75170	1	112	RING	5500-82230	1
53	PULLEY ASS'Y	1850-75201	1	113	VALVE	3356-81310	1
54	RATCHET	1850-75221	1	114	SPRING	1850-81270	1
55	SPRING	1850-75230	1	115	SCREW	1850-81220	1
56	SCREW	0263-90416	4	116	PIN	3310-81250	1
57	CARBURETOR ASS'Y	5911-81000	1	117	LEVER	3310-81230	1
58	SCREW	1752-81110	2	118	PIN	2629-21130	3
59	BRACKET	5500-81120	1				
60	RING	1751-81130	1				

Parts List

Fig.4 DRIVE UNIT BC3400DL (S/N 100101 and up)

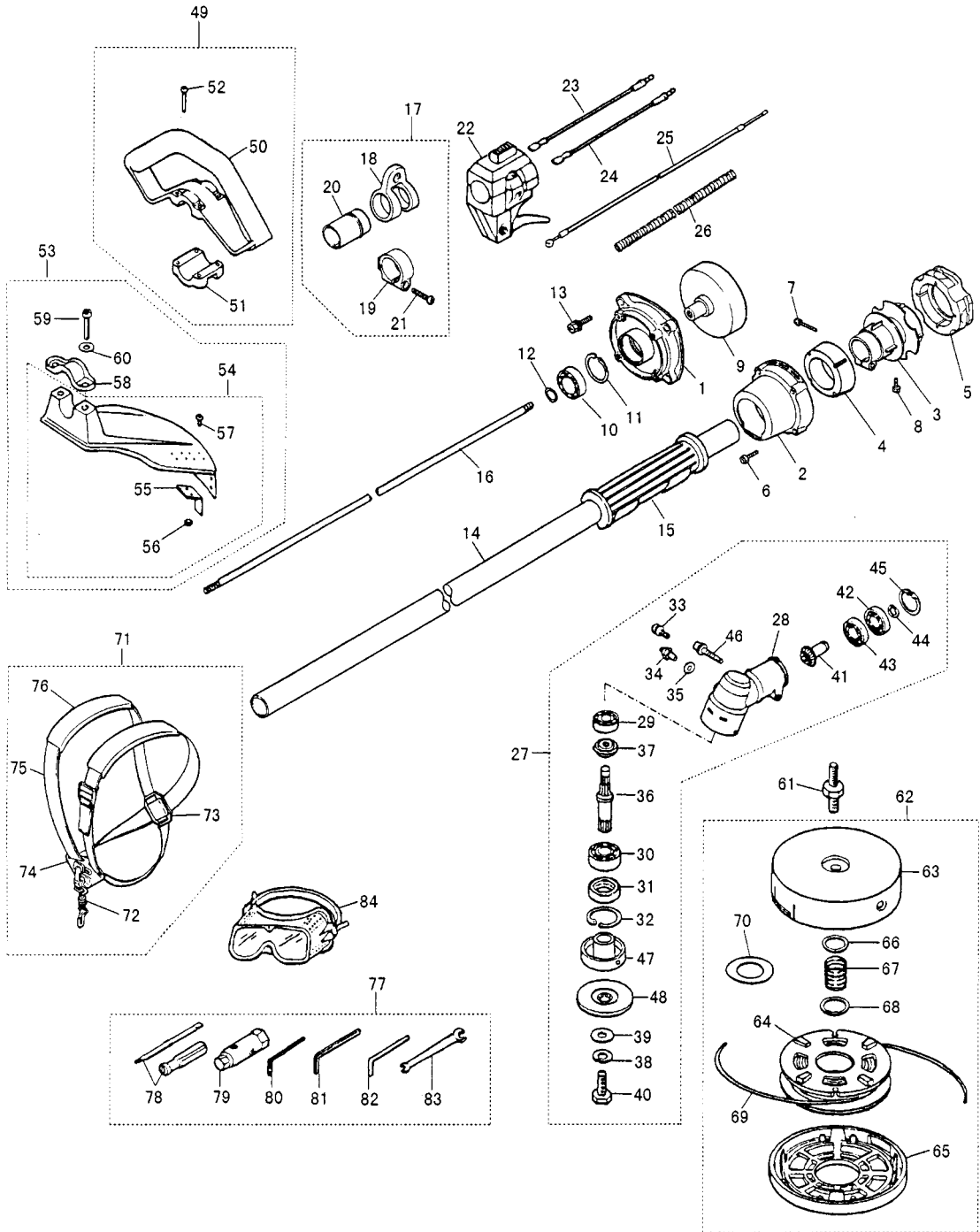


Fig.4 DRIVE UNIT BC3400DL (S/N 100101 and up)

Key#	Description	Part Number	Q'ty	Key#	Description	Part Number	Q'ty
1	HOUSING	4050-11110	1	61	SHAFT	6041-99220	1
2	CAP	4050-11150	1	62	COM.TAP.HEAD 6"	PT100	1
3	JOINT	4050-11210	1	63	• CASE	6041-99111	1
4	ABSORBER-F	4050-11250	1	64	• CORD HOLDER	6041-99140	1
5	ABSORBER-R	4050-11260	1	65	• COVER	6041-99130	1
6	BOLT	01252-30530	4	66	• PLATE	3268-15150	1
7	BOLT	01252-30630	1	67	• SPRING	6041-99161	1
8	BOLT	01252-30510	1	68	• PLATE	3268-15170	1
9	DRUM,clutch	4050-11311	1	69	• CORD	6041-99181	1
10	BEARING	06004-06202	1	70	• SPACER	6460-15210	1
11	SNAPRING	04065-03515	1	71	HARNES ASSY	6565-95200	1
12	SNAPRING	04064-01510	1	72	• HOOK	6565-17210	1
13	BOLT	6468-91150	4	73	• PLATE	6565-17220	1
14	PIPE COMP	4001-12100	1	74	• HANGER COMP	6565-95230	1
15	GRIP	3577-32141	1	75	• BAND	6565-17200-01	1
16	DRIVE SHAFT	4050-12211	1	76	• PROTECTOR	6565-17200-02	1
17	HANGER ASSY	6520-17100	1	77	TOOL SET	3532-91000	1
18	• HANGER	6520-17110	1	78	SCREW DRIVER	1030-91340	1
19	• CLAMP	6520-17120	1	79	SOCKET	3239-91310	1
20	• SPACER	6520-17130	1	80	WRENCH	09007-00425	1
21	• SCREW	0263-90525	1	81	WRENCH	09007-00528	1
22	LEVER ASSY	6232-12400	1	82	BAR	3540-91110	1
23	CORD(A),black	T3003-14420	1	83	SPANNER	3540-91120	1
24	CORD(B),red	T3003-14430	1	84	GOGGLE	6242-92110	1
25	CABLE COMP	1855-82100	1				
26	TUBE	T3003-14510	1				
27	GEARCASE ASSY	T3003-13000	1				
28	• GEARCASE	3541-13114	1				
29	• BEARING	06000-06000	1				
30	• BEARING	06000-06201	1				
31	• SEAL	3180-13141	1				
32	• SNAPRING	04065-03212	1				
33	• BOLT	01252-30510	1				
34	• FITTING,grease	3199-13350	1				
35	• WASHER	01641-20608	1				
36	• SHAFT	4050-13210	1				
37	• GEAR	3180-13220	1				
38	• WASHER	3310-43210	1				
39	• WASHER	01643-30823	1				
40	• BOLT,LH	3579-33260	1				
41	• PINION	3541-13311	1				
42	• BEARING	06001-06000	1				
43	• BEARING	06000-06000	1				
44	• SNAPRING	3180-13330	1				
45	• SNAPRING	04065-02612	1				
46	• BOLT	3540-13260	1				
47	• HOLDER(A)	3541-13241	1				
48	• HOLDER(B)	3541-13251	1				
49	HANDLE ASSY	6462-14100	1				
50	• HANDLE	6462-14310	1				
51	• CLAMP	6462-14320	1				
52	• SCREW	0263-90535	4				
53	GUARD ASSY	6358-24002	1				
54	• GUARD COMP	6538-24102	1				
55	•• BLADE	6041-24140	1				
56	•• NUT	3320-15310	2				
57	•• SCREW	0263-30512	2				
58	• CLAMP	3541-24121	1				
59	• BOLT	3540-24130	2				
60	• WASHER	0290-20615	2				

Parts List

Fig.5 ENGINE UNIT BC3400DL (S/N 100101 and up)

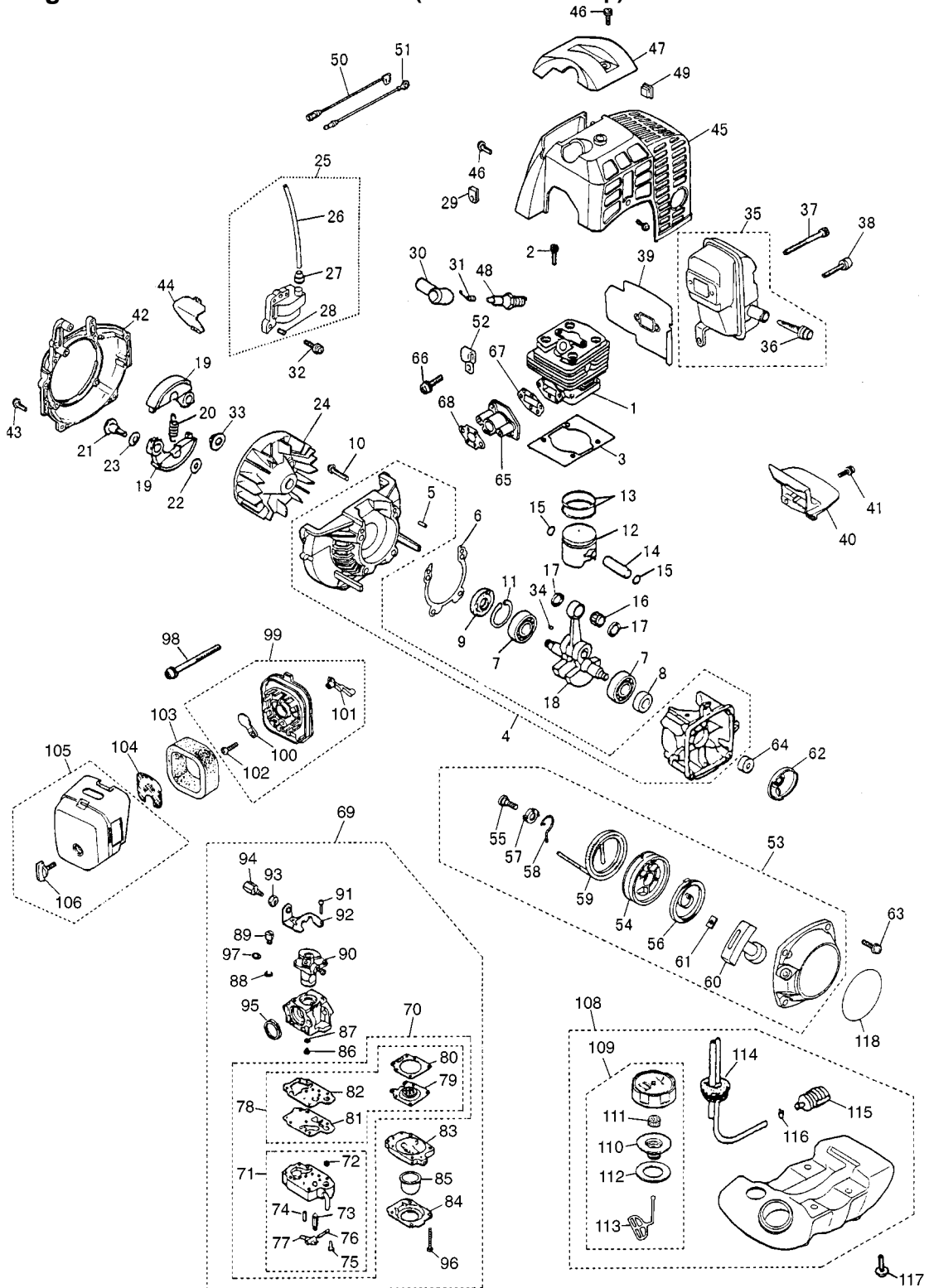


Fig.5 ENGINE UNIT BC3400DL (S/N 100101 and up)

Key#	Description	Part Number	Q'ty	Key#	Description	Part Number	Q'ty
1	CYLINDER	4700-12110	1	61	• PLATE,stopper	5500-75170	1
2	BOLT	1850-12130	4	62	PULLEY	4500-75210	1
3	GASKET,base	4500-13120	1	63	SCREW	4500-75511	4
4	CRANKCASE COMP.	4500-21101	1	64	COLLAR	4700-75310	1
5	• PIN	2629-21130	3	65	INSULATOR	4500-13161	1
6	GASKET,case	4500-21140	1	66	SCREW	4500-13181	2
7	BEARING	06030-06201	2	67	GASKET,insulator	4700-13150	1
8	OIL SEAL	4810-21210	1	68	GASKET,carburetor	4500-13130	1
9	OIL SEAL	1650-21220	1	69	CARBURETOR ASS'Y	T1006-81000	1
10	BOLT	01252-30530	4	70	• REBUILT KIT	5602-06030	1
11	SNAP RING	04065-03212	1	71	•• BODY ASS'Y	1850-81450	1
12	PISTON	4700-41110	1	72	••• SCREEN	_____	-
13	RING	1650-41210	2	73	••• VALVE	_____	-
14	PIN	1030-41310	1	74	••• SPRING	_____	-
15	RING	1300-41320	2	75	••• SCREW	_____	-
16	BEARING	T2100-41410	1	76	••• PIN	_____	-
17	WASHER	2850-41510	2	77	••• LEVER	_____	-
18	CRANKSHAFT COMP.	4500-42000	1	78	•• GASKET KIT	5602-06020	1
19	SHOE,clutch	4700-51110	2	79	••• DIAPHRAGM	_____	-
20	SPRING	1651-51220	1	80	••• GASKET,diaphragm	_____	-
21	SCREW	1200-51211	2	81	••• DIAPHRAGM,pump	_____	-
22	WASHER	1200-51230	2	82	••• GASKET,pump	_____	-
23	WASHER	1200-51241	2	83	• BODY,purge	1850-81490	1
24	ROTOR	4700-71110	1	84	• COVER,pump	1850-81520	1
25	COIL ASS'Y	4700-71200	1	85	• PUMP,priming	1751-81510	1
26	• CORD	4500-71220	1	86	• JET	T1006-81250	1
27	• CAP	4700-71230	1	87	• O-RING	1751-81240	1
28	• PIN	4700-71240	2	88	• RING	1751-81130	1
29	GROMMET	5500-72130	1	89	• SWIVEL	1881-81140	1
30	CAP,plug	5500-72110	1	90	• VALVE ASS'Y	_____	1
31	SPRING	1900-72120	1	91	• SCREW	1752-81110	2
32	BOLT	4500-72150	2	92	• BRACKET	5500-81120	1
33	NUT	1650-43230	1	93	• NUT,adjuster	1751-81180	1
34	KEY	1000-43240	1	94	• SCREW,adjuster	1918-81170	1
35	MUFFLER ASS'Y	T1006-15100	1	95	• RING	1881-81130	1
36	• ARRESTER	1601-15120	1	96	• SCREW	1850-81530	4
37	BOLT	01252-30560	2	97	• WASHER	5500-81160	1
38	BOLT	3310-31720	1	98	SCREW	0263-90550	2
39	GASKET	4700-15211	1	99	BODY ASS'Y	4500-82100	1
40	PLATE	4500-15221	1	100	PLATE,choke	4500-82130	1
41	SCREW	0263-90514	1	101	LEVER,choke	4500-82140	1
42	COVER	4700-31110	1	102	SCREW	2630-33610	1
43	BOLT	3310-12281	4	103	ELEMENT	4500-82170	1
44	PLATE	4700-31210	1	104	SCREEN	4500-82180	1
45	COVER	4500-32110	1	105	COVER ASS'Y	4500-82201	1
46	SCREW	4500-32120	4	106	KNOB	5500-82221	1
47	GUARD	4500-32210	1				
48	SPARKPLUG	5602-73110	1	108	TANK ASS'Y	T1013-85002	1
49	GROMMET	1852-72121	1	109	• CAP ASS'Y	T1015-85202	1
50	CORD	T1006-73220	1	110	•• HOLDER-A	4500-85300	1
51	CORD,earth	T1006-73230	1	111	•• FILTER	5601-85260	1
52	CLAMP	1140-72231	1	112	•• PACKING	4500-85220	1
53	RECOIL ASS'Y	4500-75100	1	113	•• STOPPER	4820-85260	1
54	• REEL	4500-75120	1	114	• PIPE COMP.	5500-85300	1
55	• SCREW	4500-75150	1	115	• FILTER ASS'Y	3302-85400	1
56	• SPRING,spiral	1850-75130	1	116	• CLIP	1260-85460	1
57	• COLLAR	4500-75180	1	117	SCREW	1600-86120	4
58	• ARM	4500-75190	1	118	LABEL,recoil	T1006-75412	1
59	• ROPE	4500-75160	1				
60	• KNOB	1140-75320	1				

Parts List

Fig.6 DRIVE UNIT BC4400DW (S/N 100101 and up)

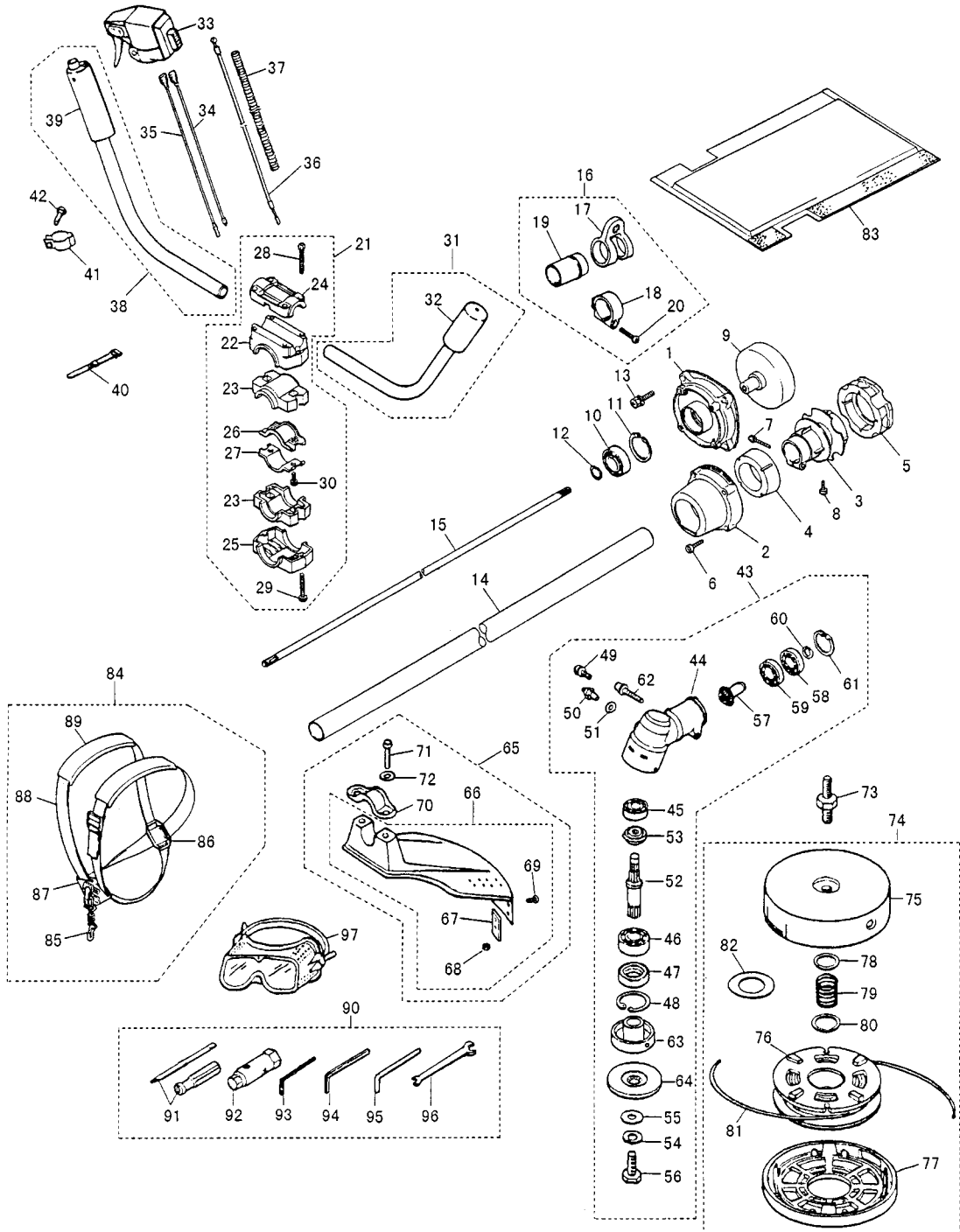


Fig.6 DRIVE UNIT BC4400DW (S/N 100101 and up)

Key#	Description	Part Number	Q'ty	Key#	Description	Part Number	Q'ty
1	HOUSING	4050-11110	1	61	• SNAPRING	04065-02612	1
2	CAP	4050-11150	1	62	• BOLT	3540-13260	1
3	JOINT	4050-11210	1	63	• HOLDER(A)	3541-13241	1
4	ABSORBER-F	4050-11250	1	64	• HOLDER(B)	3541-13251	1
5	ABSORBER-R	4050-11260	1	65	GUARD ASSY	6359-24000	1
6	BOLT	01252-30530	4	66	• GUARD COMP	6359-24100	1
7	BOLT	01252-30630	1	67	•• BLADE	6357-24150	1
8	BOLT	01252-30510	1	68	•• NUT	3320-15310	2
9	DRUM,clutch	4050-11311	1	69	•• SCREW	0263-30512	2
10	BEARING	06004-06202	1	70	• CLAMP	3541-24121	1
11	SNAPRING	04065-03515	1	71	• BOLT	3540-24130	2
12	SNAPRING	04064-01510	1	72	• WASHER	0290-20615	2
13	BOLT	6468-91150	4	73	SHAFT	6041-99220	1
14	PIPE COMP	4050-12100	1	74	COM.TAP.HEAD 6"	PT100	1
15	DRIVE SHAFT	3540-12212	1	75	• CASE	6041-99111	1
16	HANGER ASSY	6520-17100	1	76	• CORD HOLDER	6041-99140	1
17	• HANGER	6520-17110	1	77	• COVER	6041-99130	1
18	• CLAMP	6520-17120	1	78	• PLATE	3268-15150	1
19	• SPACER	6520-17130	1	79	• SPRING	6041-99161	1
20	• SCREW	0263-90525	1	80	• PLATE	3268-15170	1
21	BRACKET ASSY	4050-14101	1	81	• CORD	6041-99181	1
22	• BRACKET	4050-14111	1	82	• SPACER	6460-15210	1
23	• ABSORBER	4050-14140	2	83	PROTECTOR	4050-17110	1
24	• CAP,Upper	3257-14192	1	84	HARNES ASSY	6565-95200	1
25	• CAP,Lower	4050-14121	1	85	• HOOK	6565-17210	1
26	• CLAMP(A)	4050-14150	1	86	• PLATE	6565-17220	1
27	• CLAMP(B)	4050-14160	1	87	• HANGER COMP	6565-95230	1
28	• BOLT	01252-30525	4	88	• BAND	6565-17200-01	1
29	• BOLT	01252-30535	2	89	• PROTECTOR	6565-17200-02	1
30	• BOLT	01252-30514	2	90	TOOL SET	3532-91000	1
31	HANDLE COMP,Left	3540-14200	1	91	• SCREW DRIVER	1030-91340	1
32	• GRIP	3540-14220	1	92	• SOCKET	3239-91310	1
33	LEVER ASSY	6234-14601	1	93	• WRENCH	09007-00425	1
34	CORD(A),black	T3004-14710	1	94	• WRENCH	09007-00528	1
35	CORD(B),red	T3004-14720	1	95	• BAR	3540-91110	1
36	CABLE COMP	5915-83100	1	96	• SPANNER	3540-91120	1
37	TUBE	T3004-14810	1	97	GOGGLE	6242-92110	1
38	HANDLE COMP,Right	6242-14400	1				
39	• GRIP	3540-14321	1				
40	BAND	3540-93120	1				
41	CLAMP	3260-14251	1				
42	SCREW	0260-00516	1				
43	GEARCASE ASSY	T3003-13000	1				
44	• GEARCASE	3541-13114	1				
45	• BEARING	06000-06000	1				
46	• BEARING	06000-06201	1				
47	• SEAL	3180-13141	1				
48	• SNAPRING	04065-03212	1				
49	• BOLT	01252-30510	1				
50	• FITTING,grease	3199-13350	1				
51	• WASHER	01641-20608	1				
52	• SHAFT	4050-13210	1				
53	• GEAR	3180-13220	1				
54	• WASHER	3310-43210	1				
55	• WASHER	01643-30823	1				
56	• BOLT,LH	3579-33260	1				
57	• PINION	3541-13311	1				
58	• BEARING	06001-06000	1				
59	• BEARING	06000-06000	1				
60	• SNAPRING	3180-13330	1				

Parts List

Fig.7 ENGINE UNIT BC4400DW (S/N 100101 and up)

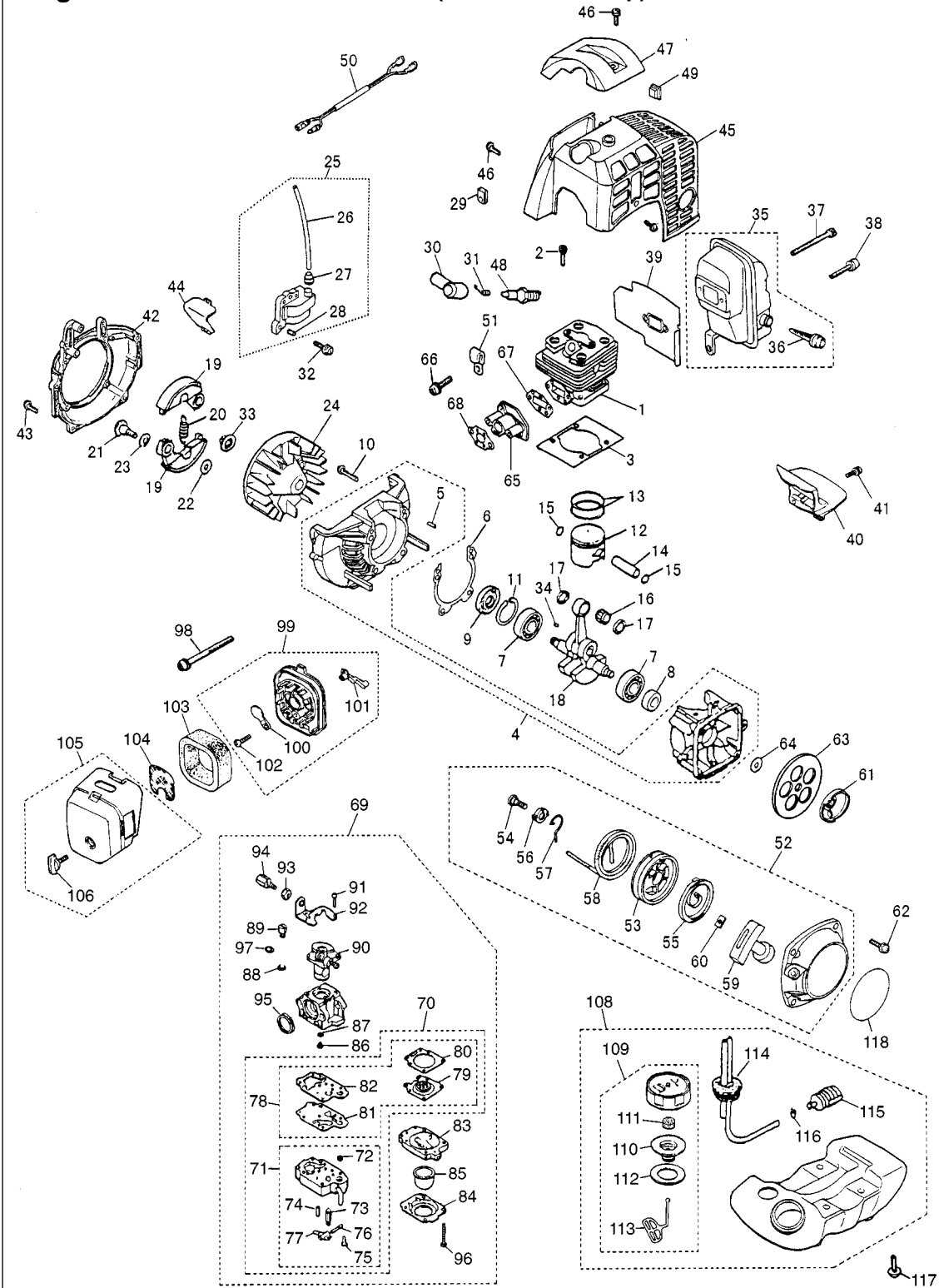


Fig.7 ENGINE UNIT BC4400DW (S/N 100101 and up)

Key#	Description	Part Number	Q'ty	Key#	Description	Part Number	Q'ty
1	CYLINDER	4500-12110	1	61	PULLEY	4500-75210	1
2	BOLT	1850-12130	4	62	SCREW	4500-75511	4
3	GASKET,base	4500-13120	1	63	PLATE	4500-75310	1
4	CRANKCASE COMP.	4500-21101	1	64	WASHER	01643-20823	1
5	• PIN	2629-21130	3	65	INSULATOR	4500-13161	1
6	GASKET,case	4500-21140	1	66	SCREW	4500-13181	2
7	BEARING	06030-06201	2	67	GASKET,insulator	4500-13150	1
8	OIL SEAL	4810-21210	1	68	GASKET,carburetor	4500-13130	1
9	OIL SEAL	1650-21220	1	69	CARBURETOR ASS'Y	T1007-81000	1
10	BOLT	01252-30530	4	70	• REBUILT KIT	5602-06030	1
11	SNAP RING	04065-03212	1	71	•• BODY ASS'Y	1850-81450	1
12	PISTON	4500-41110	1	72	••• SCREEN	_____	-
13	RING	1400-41220	2	73	••• VALVE	_____	-
14	PIN	2850-41310	1	74	••• SPRING	_____	-
15	RING	1300-41320	2	75	••• SCREW	_____	-
16	BEARING	T2100-41410	1	76	••• PIN	_____	-
17	WASHER	2850-41510	2	77	••• LEVER	_____	-
18	CRANKSHAFT COMP.	4500-42000	1	78	•• GASKET KIT	5602-06020	1
19	SHOE,clutch	4500-51111	2	79	••• DIAPHRAGM	_____	-
20	SPRING	4500-51220	1	80	••• GASKET,diaphragm	_____	-
21	SCREW	1200-51211	2	81	••• DIAPHRAGM,pump	_____	-
22	WASHER	1200-51230	2	82	••• GASKET,pump	_____	-
23	WASHER	1200-51241	2	83	• BODY,purge	1850-81490	1
24	ROTOR	4500-71110	1	84	• COVER,pump	1850-81520	1
25	COIL ASS'Y	4500-71200	1	85	• PUMP,priming	1751-81510	1
26	• CORD	4500-71220	1	86	• JET	T1007-81250	1
27	• CAP	2616-71320	1	87	• O-RING	1751-81240	1
28	• PIN	3356-21130	2	88	• RING	1751-81130	1
29	GROMMET	5500-72130	1	89	• SWIVEL	1881-81140	1
30	CAP,plug	5500-72110	1	90	• VALVE ASS'Y	_____	1
31	SPRING	1900-72120	1	91	• SCREW	1752-81110	2
32	BOLT	4500-72150	2	92	• BRACKET	5500-81120	1
33	NUT	1650-43230	1	93	• NUT,adjuster	1751-81180	1
34	KEY	1000-43240	1	94	• SCREW,adjuster	1918-81170	1
35	MUFFLER ASS'Y	T1007-15100	1	95	• RING	1881-81130	1
36	• ARRESTER	1601-15120	1	96	• SCREW	1850-81530	4
37	BOLT	01252-30565	2	97	• WASHER	5500-81160	1
38	BOLT	3310-31720	1	98	SCREW	0263-90550	2
39	GASKET,muffler	4700-15211	1	99	BODY ASS'Y	4500-82100	1
40	PLATE,muffler	4500-15221	1	100	• PLATE,choke	4500-82130	1
41	SCREW	0263-90514	1	101	• LEVER,choke	4500-82140	1
42	COVER	4500-31110	1	102	• SCREW	2630-33610	1
43	BOLT	3310-12281	4	103	ELEMENT	4500-82170	1
44	PLATE	4500-31210	1	104	SCREEN	4500-82180	1
45	COVER	4500-32110	1	105	COVER ASS'Y	4500-82201	1
46	SCREW	4500-32120	4	106	• KNOB	5500-82221	1
47	GUARD	4500-32210	1				
48	SPARKPLUG	5602-73110	1	108	TANK ASS'Y	T1015-85003	1
49	GROMMET	1852-72121	1	109	• CAP ASS'Y	T1015-85202	1
50	CORD COMP.	T1007-73200	1	110	•• HOLDER-A	4500-85300	1
51	CLAMP	1140-72231	1	111	•• FILTER	5601-85260	1
52	RECOIL ASS'Y	4500-75100	1	112	•• PACKING	4500-85220	1
53	• REEL	4500-75120	1	113	•• STOPPER	4820-85260	1
54	• SCREW	4500-75150	1	114	• PIPE COMP.	T1015-85300	1
55	• SPRING,spiral	1850-75130	1	115	• FILTER ASS'Y	3302-85400	1
56	• COLLAR	4500-75180	1	116	• CLIP	1260-85460	1
57	• ARM	4500-75190	1	117	SCREW	1600-86120	4
58	• ROPE	4500-75160	1	118	LABEL,recoil	T1133-75411	1
59	• KNOB	1140-75320	1				
60	• PLATE,stopper	5500-75170	1				

CALIFORNIA EMISSION CONTROL WARRANTY STATEMENT
YOUR WARRANTY RIGHTS AND OBLIGATIONS

THE CALIFORNIA AIR RESOURCES BOARD AND KOMATSU ZENOAH Co. ARE PLEASED TO EXPLAIN THE **EMISSION CONTROL SYSTEM WARRANTY** ON YOUR **1995 AND LATER** LAWN AND GARDEN EQUIPMENT ENGINE. IN CALIFORNIA, NEW UTILITY AND LAWN AND GARDEN EQUIPMENT ENGINES MUST BE DESIGNED, BUILT AND EQUIPPED TO MEET THE STATE'S STRINGENT ANTI-SMOG STANDARDS.

KOMATSU ZENOAH Co, MUST WARRANT THE EMISSION CONTROL SYSTEM ON YOUR LAWN AND GARDEN EQUIPMENT ENGINE FOR THE PERIODS OF TIME LISTED BELOW PROVIDED THERE HAS BEEN NO ABUSE, NEGLIGENCE OR IMPROPER MAINTENANCE OF YOUR LAWN AND GARDEN EQUIPMENT ENGINE.

YOUR EMISSION CONTROL SYSTEM. MAY INCLUDE PARTS SUCH AS THE CARBURETOR, THE IGNITION SYSTEM, AND CATALYTIC CONVERTER. ALSO INCLUDED MAY BE THE HOSES, BELTS, CONNECTORS AND OTHER EMISSION-RELATED ASSEMBLIES.

WHERE A WARRANTABLE CONDITION EXISTS, KOMATSU ZENOAH Co. WILL REPAIR YOUR LAWN AND GARDEN EQUIPMENT ENGINE AT NO COST TO YOU INCLUDING DIAGNOSIS, PARTS AND LABOR.

MANUFACTURER'S WARRANTY COVERAGE:

THE 1995 AND LATER UTILITY AND LAWN AND GARDEN EQUIPMENT ENGINES ARE WARRANTED FOR **TWO YEARS**. IF ANY EMISSION-RELATED PART ON YOUR ENGINE IS DEFECTIVE, THE PART WILL BE REPAIRED OR REPLACED BY KOMATSU ZENOAH Co.

OWNER'S WARRANTY RESPONSIBILITIES:

—AS THE LAWN AND GARDEN EQUIPMENT ENGINE OWNER, YOU ARE RESPONSIBLE FOR THE PERFORMANCE OF THE **REQUIRED MAINTENANCE LISTED IN YOUR OWNER'S MANUAL**. KOMATSU ZENOAH Co. RECOMMENDS THAT YOU RETAIN ALL RECEIPTS COVERING MAINTENANCE ON YOUR LAWN AND GARDEN ENGINE, BUT KOMATSU ZENOAH Co. CAN NOT DENY WARRANTY SOLELY FOR THE LACK OF RECEIPTS OR FOR YOUR FAILURE TO ENSURE THE PERFORMANCE OF ALL SCHEDULED MAINTENANCE.

—AS THE LAWN AND GARDEN EQUIPMENT ENGINE OWNER, YOU SHOULD BE AWARE, HOWEVER, THAT KOMATSU ZENOAH Co. MAY DENY YOU WARRANTY COVERAGE IF YOUR LAWN AND GARDEN EQUIPMENT ENGINE OR A PART HAS FAILED DUE TO ABUSE, NEGLIGENCE, IMPROPER MAINTENANCE OR UNAPPROVED MODIFICATION.

—YOU ARE RESPONSIBLE FOR PRESENTING YOUR LAWN AND GARDEN EQUIPMENT ENGINE TO A KOMATSU ZENOAH Co. DISTRIBUTION CENTER AS SOON AS A PROBLEM EXISTS. THE WARRANTY REPAIRS SHOULD BE COMPLETED IN A REASONABLE AMOUNT OF TIME, NOT TO EXCEED **30 DAYS**.

IF YOU HAVE ANY QUESTIONS REGARDING YOU WARRANTY RIGHTS AND RESPONSIBILITIES, YOU SHOULD CONTACT KOMATSU ZENOAH AMERICA INC. AT (770)-381-5147.

**Red Max TRIMMER/BRUSHCUTTER
MODEL BC2300DL/BC2600DL/BC3400DL/BC4400DW
2-YEAR LIMITED WARRANTY**

EMISSION-RELATED PARTS, FOR TWO (2) YEARS FROM THE DATE OF ORIGINAL DELIVERY OF THE MODEL BC2300DL, BC2600DL, BC3400DL OR BC4400DW UNIT, KOMATSU ZENOAH AMERICA INC. (THE COMPANY), THROUGH ANY RedMax DEALER, WILL REPAIR OR REPLACE, FREE OF CHARGE, FOR THE ORIGINAL AND EACH SUBSEQUENT PURCHASER, ANY PART OR PARTS FOUND TO BE DEFECTIVE IN MATERIAL AND/OR WORKMANSHIP. EMISSION-RELATED PARTS ARE:

**THE CARBURETOR ASSY, COIL ASSY, ROTOR, SPARKPLUG,
AIR FILTER, FUEL FILTER, INTAKE MANIFOLD, AND THE GASKETS**

ALL OTHER PARTS EXCEPT ABOVE PARTS, FOR TWO (2) YEARS OF HOME USE [ONE (1) YEAR FOR ANY OTHER USE] FROM THE DATE OF ORIGINAL ANY DELIVERY OF THE MODEL BC2300DL, BC2600DL, BC3400DL OR BC4400DW UNIT, THE COMPANY, THROUGH ANY RedMax DEALER, WILL REPAIR OR REPLACE, FREE OF CHARGE, FOR THE ORIGINAL PURCHASER, ANY PART OF PARTS FOUND TO BE DEFECTIVE IN MATERIAL AND/OR WORKMANSHIP. **THIS IS THE EXCLUSIVE REMEDY.**

THE PURCHASER SHALL BEAR COSTS OF TRANSPORTING THE UNIT TO AND FROM THE RedMax DEALER.

THE PURCHASER SHALL NOT BE CHARGED FOR DIAGNOSTIC LABOR WHICH LEADS TO THE DETERMINATION THAT A WARRANTED PART IS DEFECTIVE, IF THE DIAGNOSTIC WORK IS PERFORMED AT THE RedMax DEALER.

THE PURCHASER OR OWNER IS RESPONSIBLE FOR THE PERFORMANCE OF THE REQUIRED MAINTENANCE AS DEFINED BY THE MANUFACTURER IN THE OWNER/OPERATOR MANUAL.

ANY WARRANTED PART WHICH IS NOT SCHEDULED FOR REPLACEMENT AS REQUIRED MAINTENANCE, OR WHICH IS SCHEDULED ONLY FOR REGULAR INSPECTION TO THE EFFECT OF "REPAIR OR REPLACE AS NECESSARY" SHALL BE WARRANTED FOR THE WARRANTY PERIOD. ANY WARRANTED PART WHICH IS SCHEDULED FOR REPLACEMENT AS REQUIRED MAINTENANCE SHALL BE WARRANTED FOR THE PERIOD OF TIME UP TO THE FIRST SCHEDULED REPLACEMENT POINT FOR THE PART.

ANY REPLACEMENT PART THAT IS EQUIVALENT IN PERFORMANCE AND DURABILITY MAY BE USED IN NON-WARRANTY MAINTENANCE OR REPAIRS, AND SHALL NOT REDUCE THE WARRANTY OBLIGATION OF THE COMPANY.

THE COMPANY IS LIABLE FOR DAMAGES TO OTHER ENGINE COMPONENTS CAUSED BY THE FAILURE OF A WARRANTED PARTS STILL UNDER WARRANTY.

THE WARRANTY DOES NOT APPLY TO THOSE UNITS WHICH HAVE BEEN DAMAGED BY NEGLIGENCE OF INSTRUCTION LISTED IN THE OWNER/OPERATOR MANUAL FOR PROPER USE AND MAINTENANCE OF THE UNITS, ACCIDENT MISHANDLING, ALTERATION, ABUSE, IMPROPER LUBRICATION, USE OF ANY PARTS OR ACCESSORIES OTHER THAN THOSE SPECIFIED BY THE COMPANY, OR OTHER CAUSES BEYOND THE COMPANY'S CONTROL.

THIS WARRANTY DOES NOT COVER THOSE PARTS REPLACED BY NORMAL WEAR OR HARMLESS CHANGES IN THEIR APPEARANCE.

THERE ARE NO OTHER EXPRESS WARRANTIES.

IMPLIED WARRANTIES INCLUDING THOSE OF MERCHANTABILITY AND FITNESS FOR A PARTICULAR PURPOSE **ARE LIMITED TO TWO (2) YEARS OF HOME USE [ONE (1) YEAR FOR ANY OTHER USE] FROM THE ORIGINAL DELIVERY DATE.**

LIABILITIES FOR INCIDENTAL OR CONSEQUENTIAL DAMAGE UNDER ANY AND ALL WARRANTIES ARE EXCLUDED.

SOME STATES DO NOT ALLOW LIMITATION ON HOW LONG AN IMPLIED WARRANTY LASTS OR EXCLUSION OR LIMITATION OF INCIDENTAL OR CONSEQUENTIAL DAMAGES, SO THE ABOVE LIMITATION OR EXCLUSION MAY NOT APPLY TO YOU.

THIS WARRANTY GIVES YOU SPECIFIC LEGAL RIGHTS, AND YOU MAY ALSO HAVE OTHER RIGHTS WHICH VARY FROM STATE TO STATE.

IF YOU NEED TO OBTAIN INFORMATION ABOUT THE NEAREST SERVICE CENTER, PLEASE CALL KOMATSU ZENOAH AMERICA INC. AT (770)-381-5147.

IMPORTANT: YOU WILL RECEIVE A WARRANTY REGISTRATION CARD AT TIME OF PURCHASE. PLEASE FILL OUT THE CARD AND SEND IT TO RedMax / KOMATSU ZENOAH AMERICA WITHIN SEVEN (7) DAYS. BE SURE TO KEEP A COPY FOR YOUR RECORDS.



RedMax[®]

KOMATSU ZENOAH AMERICA INC.
4344 Shackelford Road Suite 500
Norcross, Georgia 30093

Débroussailleuse à deux lames réciproques

Modèle BC2300DL/BC2600DL/BC3400DL/BC4400DW

Garantie limitée à 2 ans

Pièces en rapport avec les émissions de gaz d'échappement : KOMATSU ZENOAH AMERICA INC., par l'intermédiaire de n'importe quel revendeur RedMax, réparera gratuitement ou remplacera gratuitement pour l'acheteur initial et chaque acheteur successif toute(s) pièce(s) se révélant de constitution et/ou de montage défectueux pendant deux (2) ans à compter de la date initiale de livraison d'une unité du modèle BC2300DL/BC2600DL/BC3400DL/BC4400DW. Les pièces en rapport avec les émissions de gaz d'échappement sont:

l'assemblage carburateur, l'assemblage bobine, le rotor, la bougie, le filtre à air, le filtre à carburant, la tubulure d'admission et les joints

Toutes autres pièces exceptées celles mentionnées ci-dessus : La société, par l'intermédiaire de n'importe quel revendeur RedMax, réparera gratuitement ou remplacera gratuitement pour l'acheteur initial toute(s) pièce (s) se révélant de constitution et/ou de montage défectueux pendant deux (2) ans en cas d'utilisation privée [un (1) an pour toute autre utilisation] à compter de la date de livraison initiale d'une unité du modèle BC2300DL/BC2600DL/BC3400DL/BC4400DW. **Telles sont les limites de la garantie.**

Le coût du transport de l'unité jusqu'au revendeur RedMax et depuis celui-ci sera à la charge de l'acheteur.

L'acheteur ne supportera pas le coût de main d'oeuvre du diagnostic qui amène à la conclusion qu'une pièce garantie est défectueuse, si ce diagnostic est effectué chez le revendeur RedMax.

L'acheteur ou propriétaire a pour responsabilité d'effectuer l'entretien obligatoire tel que défini par le fabricant dans le manuel du propriétaire/de l'utilisateur.

Toute pièce garantie dont le remplacement n'est pas prévu dans le cadre de l'entretien obligatoire, ou pour laquelle est seulement prévue une inspection périodique pour "remplacement ou réparation si nécessaire" sera garantie pour la période de garantie. Toute pièce garantie arrivée à l'échéance de son premier remplacement prévu sera garantie jusqu'à celui-ci.

Toute pièce de rechange équivalente en performance ou en durabilité peut être utilisée pour l'entretien hors-garantie ou les réparations hors-garantie, et ce sans réduire l'obligation de garantie incombant à la société.

La société sera tenue responsable des dommages aux autres composants du moteur causés par la défaillance de pièce(s) garantie(s) en période de garantie.

La garantie ne s'applique pas aux unités endommagées par suite de: négligence dans la mise en oeuvre des instructions spécifiées dans le manuel du propriétaire/de l'utilisateur en vue d'une utilisation et d'un entretien correct, fausse manœuvre accidentelle, modification, utilisation abusive, lubrification incorrecte, utilisation de pièces ou d'accessoires autres que ceux spécifiés par la société, ou autres causes hors du contrôle de la société.

Cette garantie ne couvre pas les pièces remplacées en raison de leur usure normale ou de changements d'apparence sans effets.

Il n'existe aucune autre garantie explicite.

Les garanties implicites, celles de négociabilité du produit et de son adaptabilité à un usage défini incluses, **sont limitées** à deux (2) ans pour un usage privé [un (1) an pour toute autre utilisation] à compter de la date initiale de livraison.

Les responsabilités pour les dommages conséquents ou incidents sont exclues de toutes les garanties.

Certaines provinces n'autorisant pas les limitations à la durée des garanties implicites, ou les exclusions ou limitations relatives aux dommages incidents ou conséquents, la limitation indiquée ci-dessus peut ne pas vous être applicable.

Cette garantie vous donne des droits juridiques spécifiques, et vous pouvez également jouir d'autres droits variant d'une province à l'autre.

Si vous désirez obtenir des informations sur le centre de service le plus proche, veuillez appeler KOMATSU ZENOAH AMERICA INC. au (770)-381-5147

Note importante: vous recevrez une carte d'enregistrement de garantie au moment de l'achat. Veuillez la remplir et l'adresser à RedMax / KOMATSU ZENOAH AMERICA sous sept (7) jours en prenant soin de conserver une copie pour vous.



RedMax[®]

KOMATSU ZENOAH AMERICA INC.
4344 Shackelford Road Suite 500
Norcross, Georgia 30093

EMISSION CONTROL LABEL

BC2300DL

IMPORTANT ENGINE INFORMATION
THIS ENGINE CONFORMS TO US EPA PH1 AND 1995-1998 CALIFORNIA EMISSION REGULATIONS FOR ULGE ENGINES.
ENGINE FAMILY : TKZ025UB24RA
ENGINE DISPLACEMENT : 22.5cc
REFER TO OWNER'S MANUAL FOR MAINTENANCE SPECIFICATIONS AND ADJUSTMENTS.



KOMATSU ZENOAH CO.
RedMax Made in Japan

INFORMATION IMPORTANTE CONCERNANT LE MOTEUR

Ce moteur conforme aux normes U.S. EPA PH1 et 1995-1998 de la réglementation concernant la pollution de l'air pour les petits moteurs tout-terrain.
Type de moteur : TKZ025UB24RA
Cylindrée du moteur : 22,5 cc
Se référer au Manuel de l'utilisateur pour les spécifications d'entretien et les réglages.



KOMATSU ZENOAH CO.
RedMax Made in Japan

BC2600DL

IMPORTANT ENGINE INFORMATION
THIS ENGINE CONFORMS TO US EPA PH1 AND 1995-1998 CALIFORNIA EMISSION REGULATIONS FOR ULGE ENGINES.
ENGINE FAMILY : TKZ025UB24RA
ENGINE DISPLACEMENT : 25.4cc
REFER TO OWNER'S MANUAL FOR MAINTENANCE SPECIFICATIONS AND ADJUSTMENTS.



KOMATSU ZENOAH CO.
RedMax Made in Japan

INFORMATION IMPORTANTE CONCERNANT LE MOTEUR

Ce moteur conforme aux normes U.S. EPA PH1 et 1995-1998 de la réglementation concernant la pollution de l'air pour les petits moteurs tout-terrain.
Type de moteur : TKZ025UB24RA
Cylindrée du moteur : 25,4 cc
Se référer au Manuel de l'utilisateur pour les spécifications d'entretien et les réglages.



KOMATSU ZENOAH CO.
RedMax Made in Japan

BC3400DL

IMPORTANT ENGINE INFORMATION
THIS ENGINE CONFORMS TO US EPA PH1 AND 1995-1999 CALIFORNIA EMISSION REGULATIONS FOR ULGE ENGINES.
ENGINE FAMILY : XKZXS.0344UV;EM
ENGINE DISPLACEMENT : 33.6cc
REFER TO OWNER'S MANUAL FOR MAINTENANCE SPECIFICATIONS AND ADJUSTMENTS.



KOMATSU ZENOAH CO.
RedMax Made in Japan

INFORMATION IMPORTANTE CONCERNANT LE MOTEUR

Ce moteur conforme aux normes U.S. EPA PH1 et 1995-1999 de la réglementation concernant la pollution de l'air pour les petits moteurs tout-terrain.
Type de moteur : XKZXS.0344UV;EM
Cylindrée du moteur : 33,6 cc
Se référer au Manuel de l'utilisateur pour les spécifications d'entretien et les réglages.



KOMATSU ZENOAH CO.
RedMax Made in Japan

BC4400DW

IMPORTANT ENGINE INFORMATION
THIS ENGINE CONFORMS TO US EPA PH1 AND 1995-1999 CALIFORNIA EMISSION REGULATIONS FOR ULGE ENGINES.
ENGINE FAMILY : XKZXS.0424WX;EM
ENGINE DISPLACEMENT : 41.5cc
REFER TO OWNER'S MANUAL FOR MAINTENANCE SPECIFICATIONS AND ADJUSTMENTS.



KOMATSU ZENOAH CO.
RedMax Made in Japan

INFORMATION IMPORTANTE CONCERNANT LE MOTEUR

Ce moteur conforme aux normes U.S. EPA PH1 et 1995-1999 de la réglementation concernant la pollution de l'air pour les petits moteurs tout-terrain.
Type de moteur : XKZXS.0424WX;EM
Cylindrée du moteur : 41,5 cc
Se référer au Manuel de l'utilisateur pour les spécifications d'entretien et les réglages.



KOMATSU ZENOAH CO.
RedMax Made in Japan



KOMATSU ZENOAH AMERICA INC.
4344 Shackleford Road Suite 500
Norcross, Georgia 30093