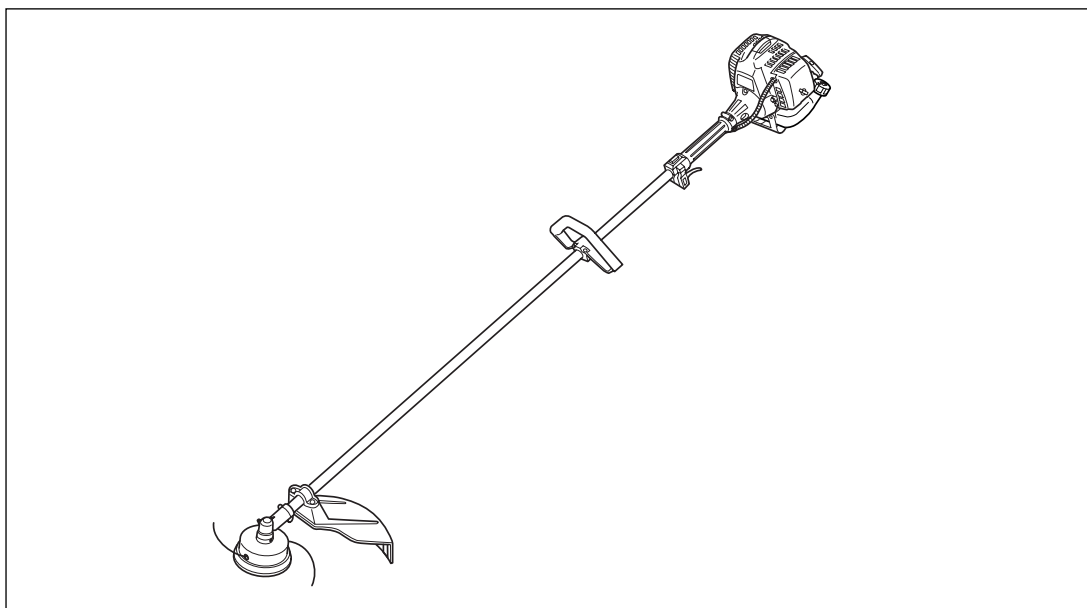




ILLUSTRATED PARTS LIST

BRUSHCUTTERS

BCZ2400S



WARNING



The engine exhaust from this product contains chemicals known to the State of California to cause cancer, birth defects or other reproductive harm.



WARNING



Before using our brushcutters, please read this manual carefully to understand the proper use of your unit.

APPLICABLE SERIAL NUMBERS :

DRIVE UNIT 20001 and up

ENGINE UNIT 200101 and up

12. Parts list

BRUSHCUTTERS

BCZ2400S

NOTE :

1. Use KOMATSU ZENOAH genuine parts as specified in the parts list for repair and/or replacement.
2. KOMATSU ZENOAH does not warrant the machines, which have been damaged by the use of any parts other than those specified by the company.
3. When placing parts orders for repair and/or replacement, check if the model name and the serial number are applicable to those specified in the parts list, then use parts number described in the parts list.
4. The contents described in the parts list may change due to improvement.
5. The parts for the machine shall be supplied seven (7) years after the machine is discontinued. [It is possible that some specific parts may be subject to change of their delivery term and list price within the limit of seven (7) years after the machine is discontinued. It is also possible that some parts may be available even after the limit of seven (7) years.]

September 2002

APPLICABLE SERIAL NUMBERS :

DRIVE UNIT 20001 and up

ENGINE UNIT 200101 and up

12. Parts list

Fig.1 DRIVE UNIT BCZ2400S (S/N 20001 and up)

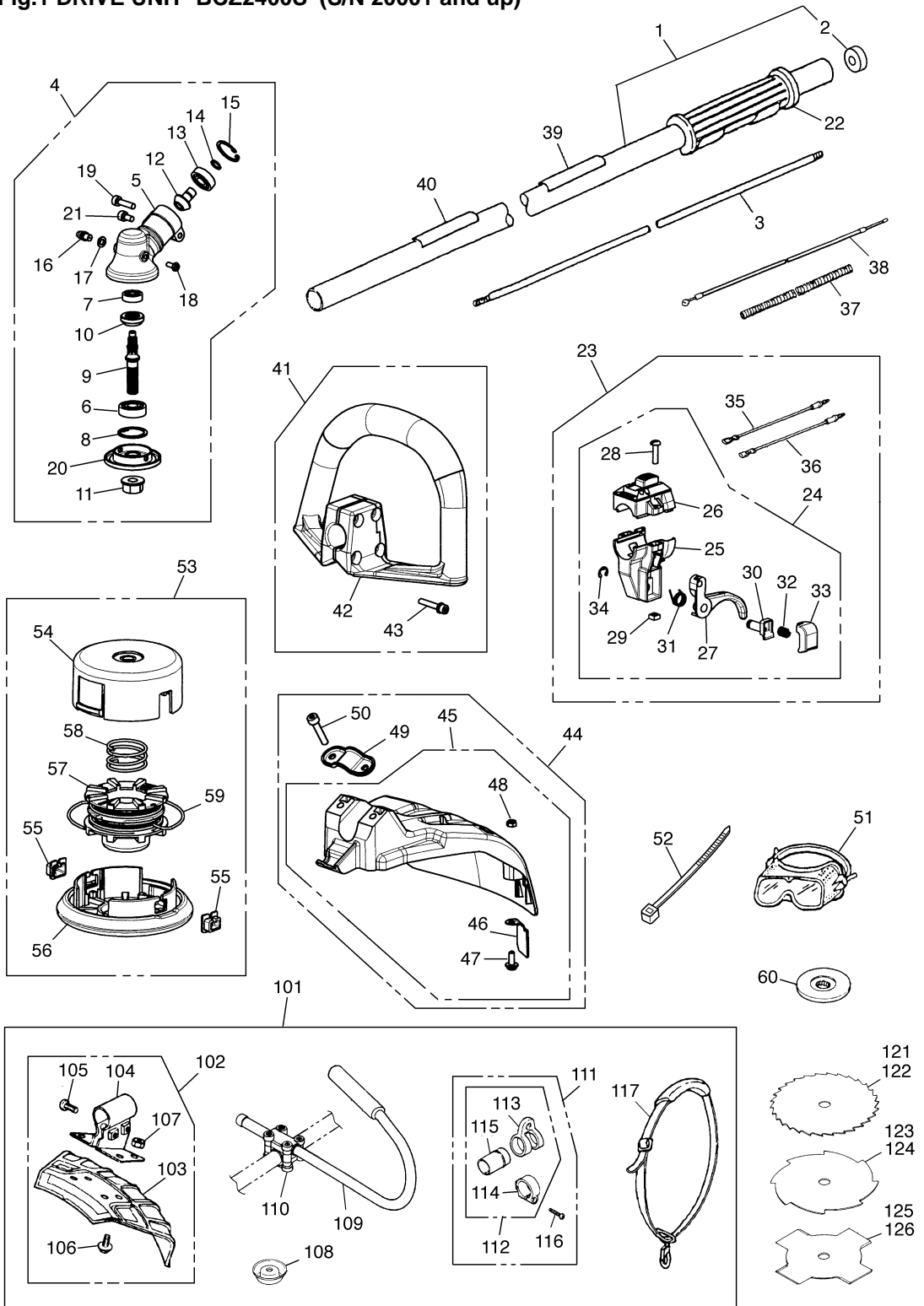


Fig.1 DRIVE UNIT BCZ2400S (S/N 20001 and up)

Key#	Part Number	Description	Q'ty	Key#	Part Number	Description	Q'ty
1	T3108-12100	PIPE COMP.	1	51	T3002-91190	GOGGLE	1
2	T3400-12130	• SEAL	1	52	6129-61210	BAND (T)	1
3	3520-12213	SHAFT	1	53	PT104 Plus	TAP HEAD COMP.	1
4	T3195-31001	GEARCASE ASSY	1	54	T3189-15112	• CASE	1
5	T3300-91320	• GEATRCASE	1	55	T3189-15191	• EYELET	2
6	06004-06000	• BEARING	1	56	T3189-15132	• COVER	1
7	06000-00626	• BEARING	1	57	T3189-15142	• CORD HOLDER	1
8	04065-02612	• RING	1	58	T3189-15160	• SPRING	1
9	T3195-13210	• SHAFT	1	59	T3189-15180	• CORD	1
10	T3300-93250	• GEAR	1	60	6019-13250	• HOLDER (B)	1
11	T3002-13260	• NUT	1	OPTIONAL BLADE & ACCESSORIES			
12	T3195-13310	• PINION	1	101	T3195-94000	BLADE KIT	1
13	06001-00609	• BEARING	1	102	5764-24000	• GUARD ASSY	1
14	3210-13330	• RING	1	103	5766-24110	•• GUARD	1
15	04065-02412	• RING	1	104	3250-24120	•• BRACKET	1
16	3199-13350	• FITTING	1	105	0225-10620	•• BOLT	2
17	01641-20608	• WASHER	1	106	0263-30614	•• SCREW	4
18	0225-00410	• BOLT	1	107	0280-10605	•• NUT	4
19	4820-13180	BOLT TORX	1	108	3540-13283	• COVER	1
20	T3300-91340	• HOLDER (A)	1	109	6367-14200	• J-HANDLE	1
21	4820-12350	BOLT TORX	1	110	3583-14101	• BRACKET	1
22	3577-32141	GRIP	1	111	6420-17300	• HANGER ASSY	1
23	T3002-12202	LEVER COMP.	1	112	6420-17400	•• HANGER COMP.	1
24	6110-14412	• LEVER	1	113	9366-17110	••• HANGER	1
25	6110-14410-01	•• STAY	1	114	9366-17120	••• CLAMP	1
26	6110-14410-02	•• COVER	1	115	6420-17410	••• SLEEVE	1
27	T3002-12202-03	•• LEVER	1	116	0263-90525	•• SCREW	1
28	6110-14410-04	•• SCREW	2	117	T3300-17100	• STRAP ASSY	1
29	6110-14410-05	•• NUT	2	121	SST229	9" 22-tooth	1
30	6110-14410-06	•• SHAFT	1	122	SST249	9" 24-tooth	1
31	6110-14410-07	•• SPRING	1	123	SGB088	8" 8-tooth	1
32	6110-14410-08	•• SPRING	1	124	SGB089	9" 8-tooth	1
33	T3032-14410-09	•• BUTTON	1	125	SGB048	8" 4-tooth	1
34	6110-14410-10	•• E-RING	1	126	SGB049	9" 4-tooth	1
35	T3002-12220	• CORD (A)	1				
36	T3002-12230	• CORD (B)	1				
37	T3003-14510	TUBE	1				
38	1855-82100	CABLE COMP.	1				
39	T3195-12510	PLATE, name	1				
40	6425-12552	PLATE	1				
41	T3195-14002	HANDLE ASSY	1				
42	T3195-14102	• HANDLE T	1				
43	T4960-53030	• SCREW	4				
44	T3195-24003	GUARD ASSY	1				
45	T3195-24103	• GUARD COMP.	1				
46	T3002-24121	•• BLADE	1				
47	T4960-51431	•• SCREW TORX	1				
48	3320-15310	•• NUT	1				
49	3520-24120	• CLAMP	1				
50	T4950-63000	• BOLT TORX	2				

Fig.2 ENGINE UNIT BCZ2400S (S/N 200101 and up)

Key#	Part Number	Description	Q'ty	Key#	Part Number	Description	Q'ty
1	T1551-12110	CYLINDER	1	62	T1700-31221	•• BRACKET (B)	1
2	T1551-12211	GASKET, base	1	63	T1700-31232	•• CUSHION	1
3	4820-12130	BOLT TORX	4	64	4810-31122	• DRUM	1
4	T1551-13161	INSULATOR	1	65	04065-02812	• RING	1
5	T1551-13121	GASKET, insu	1	66	06002-06001	• BEARING	1
6	T1551-13131	GASKET, carb	1	67	04064-01210	• SNAP RING	1
7	T4950-52001	BOLT TORX	4	68	4820-13180	• BOLT TORX	2
8	T1551-16110	COVER, tr	2	69	4820-12350	• BOLT TORX	1
9	T1551-16142	GASKET, tr	2	70	4820-85510	BOLT TORX	4
10	4820-16310	BOLT TORX	4	71	T1551-32111	COVER, engine	1
11	T1551-21101	CRANKCASE COMP.	1	72	T4950-51010	BOLT TORX	2
12	2629-21130	• PIN	3	73	T1551-51111	SHOE	2
13	T1551-21141	GASKET, case	1	74	4820-51220	SPRING	1
14	06030-06001	BEARING	2	75	1140-51250	SCREW	2
15	4810-21210	SEAL	1	76	1140-51230	WASHER	2
16	1850-21220	SEAL	1	77	1140-51242	WASHER	2
17	04065-02812	RING	1	78	4810-72111	CAP	1
18	4820-13180	BOLT TORX	3	79	1900-72120	SPRING	1
19	T1551-41110	PISTON	1	80	T1551-73200	CORD COMP.	1
20	5910-41210	RING	2	81	2850-71320	TUBE	1
21	1600-41310	PIN	1	82	T1108-73110	SPARKPLUG	1
22	1260-41320	RING	2	83	4810-72120	GROMET	1
23	1101-41331	BEARING	1	84	T1551-75100	RECOIL ASSY	1
24	1101-41340	WASHER	2	85	4500-75120	• REEL	1
25	T1551-42000	CRANKSHAFT COMP.	1	86	4500-75150	• SCREW	1
26	1650-43230	NUT	1	87	1850-75130	• SPRING	1
27	1000-43240	KEY	1	88	4500-75180	• COLLAR	1
28	4810-71110	ROTOR	1	89	4500-75190	• ARM	1
29	T1551-71200	COIL ASSY	1	90	4810-75160	• ROPE	1
30	1260-71261	SPACER	2	91	3330-75421	• KNOB	1
31	4820-72150	BOLT TORX	2	92	4810-75170	• PLATE	1
32	T1551-81001	CARBURETOR ASSY	1	93	4500-75210	PULIEY	1
33	T1551-06030	• REBUILD KIT	1	94	4820-85510	BOLT TORX	4
34	T1551-81450	•• BODY ASSY	1	95	T1551-82100	BODY-A	1
35	4810-06021	• GASKET KIT	1	96	T1512-82130	• PLATE, choke	1
36	1850-81490	• BODY	1	97	T1600-82140	• LEVER	1
37	1850-81520	• COVER	1	98	T1108-82190	• SCREW	1
38	1751-81510	• PUMP	1	99	T1551-82170	ELEMENT	1
39	T1505-81250	• JET	1	100	T1551-82200	COVER-A	1
40	1751-81240	• O-RING	1	101	T1108-82220	• KNOB	1
41	1751-81130	• RING	1	102	T1551-85001	TANK ASSY	1
42	1881-81140	• SWIVEL	1	103	T1015-85202	• CAP ASSY	1
43	1752-81110	• SCREW	2	104	4500-85300	•• HOLDER ASSY	1
44	5500-81120	• BRACKET	1	105	4500-85220	•• PACKING	1
45	1751-81180	• NUT	1	106	5601-85260	•• FILTER	1
46	1918-81170	• SCREW	1	107	4820-85260	•• STOPPER	1
47	1850-81530	• SCREW	4	108	T1551-85300	• PIPE COMP	1
48	5500-81160	• WASHER	1	109	3302-85400	• FILTER	1
49	4820-15310	BOLT TORX	2	110	2841-31280	• COLLER	1
50	1950-86120	CLIP	1	111	4820-85510	BOLT TORX	3
51	4810-15100	MUFFLER ASSY	1	112	T1551-31910	GUARD, tank	1
52	4810-15111	• MUFFLER	1	113	T1551-75410	LABEL, recoil	1
53	4810-15140	• ARRESTER	1	114	T1551-31130	LABEL, cover	1
54	4820-15310	BOLT TORX	2	115	T1551-91000	TOOL-SET	1
55	T1551-15210	GASKET, muff	1	116	3540-91110	• BAR	1
56	T1551-15220	PLATE	1	117	T4017-91130	• SOCKET	1
57	4820-12350	BOLT TORX	2	118	4500-81910	COVER	1
58	T1551-31000	HOUSING ASSY	1				
59	T1551-31100	• HOUSING COMP.	1				
60	T1551-31110	•• HOUSING	1				
61	T1700-31212	•• BRACKET(A)	1				