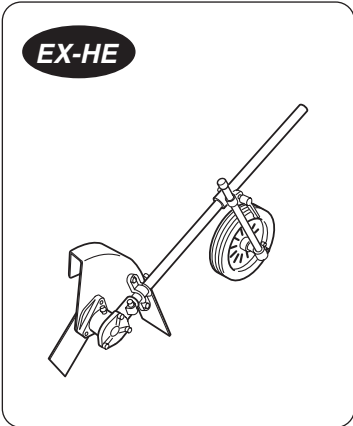
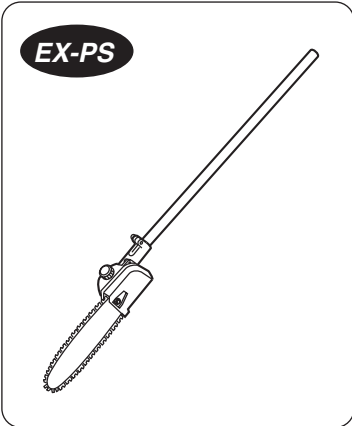
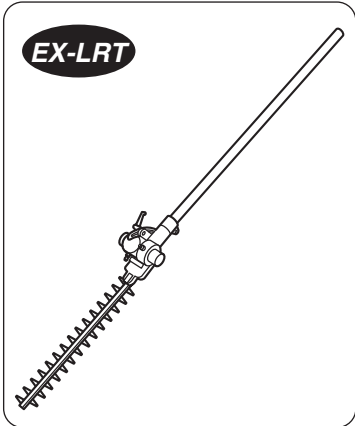
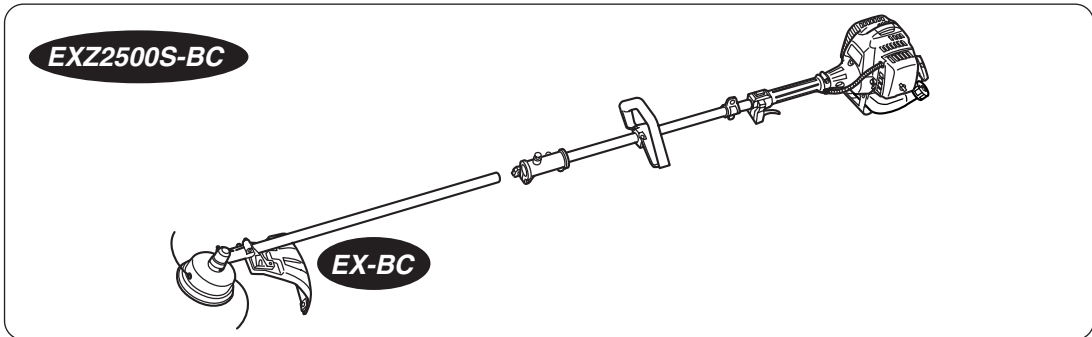




ILLUSTRATED PARTS LIST

Extreme™



⚠ WARNING ⚠
 The engine exhaust from this product contains chemicals known to the State of California to cause cancer, birth defects or other reproductive harm.

⚠ WARNING ⚠
 Before using our products, please read this manual carefully to understand the proper use of your unit.

APPLICABLE SERIAL NUMBERS :

EXZ-PU	302845	and up	
EX-BC	302960	and up	
EX-LRT	000531	and up	
EX-PS	000000	and up	
EX-HE	000101	and up	
	ENGINE UNIT	352001	and up

12. Parts list

EXtreme™

EXZ2500S-BC

EXZ-PU
EX-BC
ENGINE

EX-LRT (ATT)

EX-PS (ATT)

EX-HE (ATT)

NOTE :

1. Use KOMATSU ZENOAH genuine parts as specified in the parts list for repair and/or replacement.
2. KOMATSU ZENOAH does not warrant the machines, which have been damaged by the use of any parts other than those specified by the company.
3. When placing parts orders for repair and/or replacement, check if the model name and the serial number are applicable to those specified in the parts list, then use parts number described in the parts list.
4. The contents described in the parts list may change due to improvement.
5. The parts for the machine shall be supplied seven (7) years after the machine is discontinued. [It is possible that some specific parts may be subject to change of their delivery term and list price within the limit of seven (7) years after the machine is discontinued. It is also possible that some parts may be available even after the limit of seven (7) years.]

APPLICABLE SERIAL NUMBERS :

Mar. 2003

EXZ-PU	302845	and up	
EX-BC	302960	and up	
EX-LRT	000531	and up	ENGINE UNIT 352001 and up
EX-PS	000000	and up	
EX-HE	000101	and up	

12. Parts list

Fig.1 EXZ-PU (S/N 302845 and up)

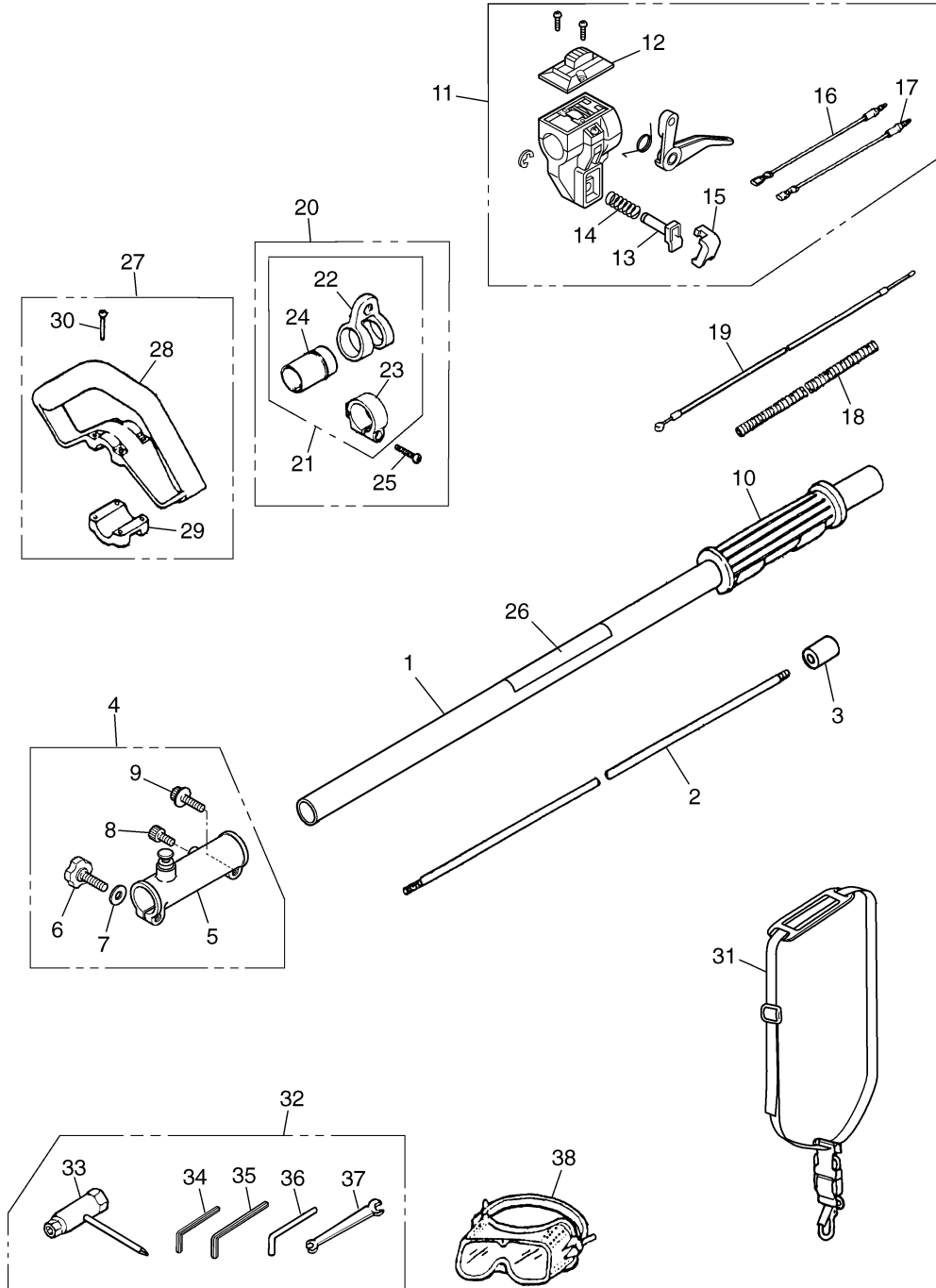


Fig.1 EXZ-PU (S/N 302845 and up)

Key#	Description	Part Number	Q'ty	Key#	Description	Part Number	Q'ty
1	PIPE-COMP, ø24x750	T3075-12100	1				
2	SHAFT, 786x7	T3075-12210	1				
3	SPACER	6036-12250	1				
4	JOINT, PIPE-ASS'Y	T3087-12400	1				
5	• JOINT	T3087-12410	1				
6	• KNOBBOLT	6036-12420	1				
7	• WASHER	01643-30823	1				
8	• BOLT	01252-30510	1				
9	• BOLT	3540-13260	1				
10	GRIP	3577-32141	1				
11	LEVER-COMP	T3002-12202	1				
12	• COVER COMP	6110-14410020	1				
13	• SHAFT	6110-14410060	1				
14	• SPRING	6110-14410080	1				
15	• BUTTON	T3032-14410090	1				
16	• CORD (A)	T3002-12220	1				
17	• CORD (B)	T3002-12230	1				
18	TUBE	T3002-12240	1				
19	CABLE	T3002-83100	1				
20	HANGER-ASSY	6420-17300	1				
21	• HANGER-COMP	6420-17400	1				
22	•• HANGER	9366-17110	1				
23	•• CLAMP	9366-17120	1				
24	•• SLEEVE	6420-17410	1				
25	• SCREW	0263-90525	1				
26	PLATE-NAME	T3087-12511	1				
27	HANDLE-ASSY	6420-14100	1				
28	• HANDLE	6420-14311	1				
29	• CLAMP	6420-14320	1				
30	• SCREW	0263-90535	4				
31	STRAP-ASSY	T3300-17100	1				
32	TOOL-SET	T3087-91000	1				
33	• SOCKET	T3039-91310	1				
34	• WRENCH	09007-00425	1				
35	• WRENCH	09007-00528	1				
36	• BAR	3540-91110	1				
37	• SPANNER	3540-91120	1				
38	GOGGLE	T3002-91190	1				

12. Parts list

Fig.2 EX-BC (S/N 302960 and up)

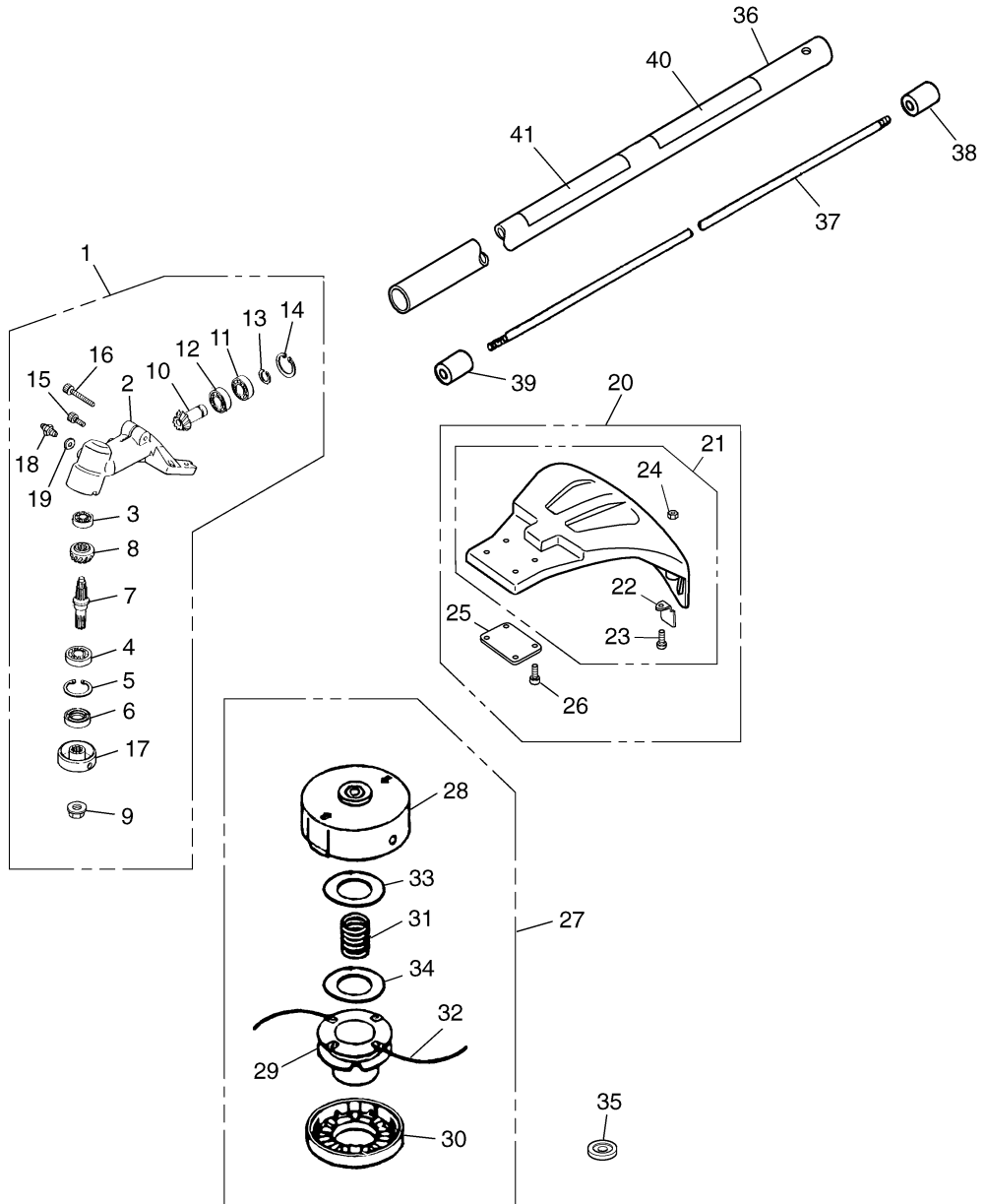


Fig.2 EX-BC (S/N 302960 and up)

Key#	Description	Part Number	Q'ty	Key#	Description	Part Number	Q'ty
1	GEARCASE-ASSY	T3002-13001	1				
2	• GEARCASE	6489-13110	1				
3	• BEARING	T3300-13521	1				
4	• BEARING	T3403-13510	1				
5	• RING	04065-02612	1				
6	• SEAL	3565-13130	1				
7	• SHAFT	T3002-13210	1				
8	• GEAR	6440-13220	1				
9	• NUT, M10	T3002-13260	1				
10	• PINION	T3002-13310	1				
11	• BEARING	T3300-13531	1				
12	• BEARING	T3403-13530	1				
13	• RING	T3300-13330	1				
14	• RING	04065-02412	1				
15	• BOLT	01252-30510	1				
16	• BOLT	3350-21320	1				
17	• HOLDER (A)	6440-13242	1				
18	• FITTING, grease	3199-13350	1				
19	• WASHER	01641-20608	1				
20	GUARD-ASSY	T3002-24001	1				
21	• GUARD COMP	T3002-24101	1				
22	•• BLADE	T3002-24121	1				
23	•• SCREW	0263-90516	1				
24	•• NUT	3320-15310	1				
25	• PLATE	6489-24120	1				
26	• BOLT	01252-30514	4				
27	TAP. HEAD 4"	PT104	1				
28	• CASE	6460-15123	1				
29	• CORD HOLDER	6460-15142	1				
30	• COVER	6460-15131	1				
31	• SPRING	6041-99162	1				
32	• TRIMMER LINE	6460-15180	1				
33	• PLATE, large	3268-15150	1				
34	• PLATE, small	3268-15170	1				
35	HOLDER (B)	6019-13250	1				
36	PIPE-COMP, ø24x750	T3102-12100	1				
37	SHAFT, 755x7	T3102-12210	1				
38	SHAFT-JOINT	6036-12241	1				
39	SPACER	6036-12250	1				
40	PLATE-NAME	T3102-12510	1				
41	PLATE	6425-12552	1				

12. Parts list

Fig.3 ENGINE UNIT (352001 and up)

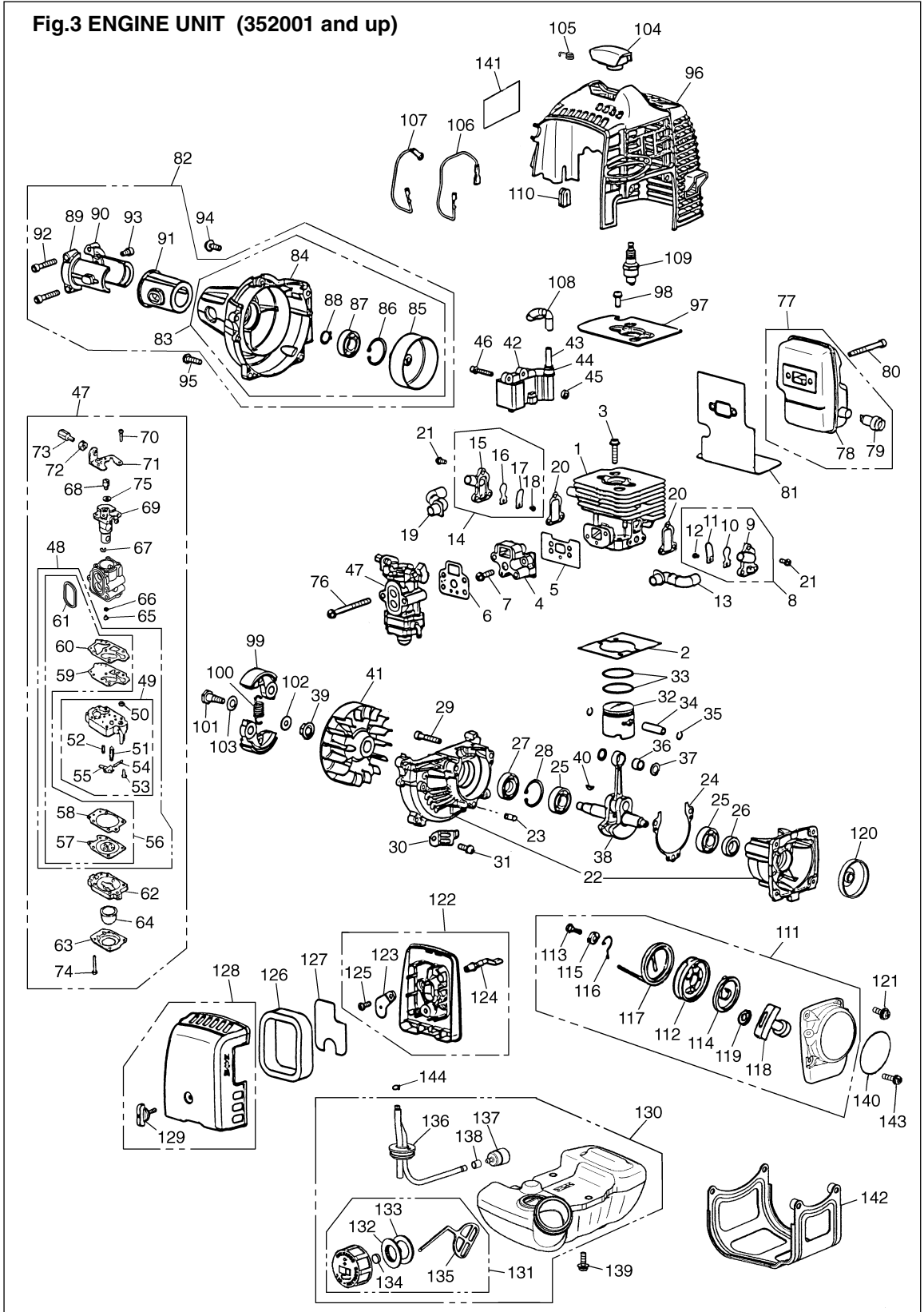


Fig.3 ENGINE UNIT (352001 and up)

Key#	Description	Part Number	Q'ty	Key#	Description	Part Number	Q'ty
1	CYLINDER	4810-12111	1	73	• SCREW, adjuster	1918-81170	1
2	GASKET, base	4810-12210	1	74	• SCREW	1850-81530	4
3	BOLT, M5x22	1850-12130	2	75	• WASHER	5500-81160	1
4	INSULATOR	4810-13162	1	76	SCREW, M5x60	0263-90560	2
5	GASKET, insulator	4810-13120	1	77	MUFFLER ASS'Y	4810-15100	1
6	GASKET, carburetor	4810-13130	1	78	• MUFFLER	4810-15111	1
7	SCREW, M5x20	0263-90520	1	79	• ARRESTER	4810-15140	1
8	REEDVALVE (S)-A	4810-16100	1	80	BOLT, M5x50	01252-30550	2
9	• VALVECASE (S)	4810-16110	1	81	GASKET	T1501-15211	1
10	• REEDVALVE	4810-16120	1	82	COVER-A	4810-31001	1
11	• STOPPER	4810-16130	1	83	• COVER-C	4810-31101	1
12	• SCREW, M3x8	4810-16170	1	84	•• COVER, fan	4810-31110	1
13	PIRE AIR (S)	4810-16150	1	85	•• DRUM	4810-31122	1
14	REEDVALVE (F)-A	4810-16200	1	86	•• SNAPRING	04065-02812	1
15	• VALVECASE (F)	4810-16210	1	87	•• BEARING	06002-06001	1
16	• REEDVALVE	4810-16120	1	88	•• SNAP RING	04064-01210	1
17	• STOPPER	4810-16130	1	89	• BRACKET (A)	6470-31211	1
18	• SCREW, M3x8	4810-16170	1	90	• BRACKET (B)	6470-31221	1
19	PIPE AIR (F)	4810-16160	1	91	• CUSHION	6470-31230	1
20	GASKET, valve	4810-16140	2	92	• BOLT, M5x30	01252-30530	2
21	SCREW	4810-16180	6	93	• BOLT, M5x14	01252-30514	1
22	CRANKCASE-C	4810-21101	1	94	SCREW, M5x16	5500-85510	1
23	• PIN	2629-21130	3	95	SCREW, M5x20	0263-90520	4
24	GASKET	4810-21140	1	96	COVER, engine	4810-32111	1
25	BEARING	06030-06001	2	97	PLATE	T1501-12310	1
26	SEAL	4810-21210	1	98	SCREW, M5x10	0263-90510	2
27	SEAL	1850-21220	1	99	SHOE	4820-51110	2
28	SNAP RING	04065-02812	1	100	SPRING	4820-51220	1
29	BOLT, M5x30	01252-30530	3	101	SCREW	1140-51250	2
				102	WASHER	1140-51230	2
				103	WASHER	1140-51242	2
32	PISTON	4810-41110	1	104	CAP	4810-72111	1
33	RING	5910-41210	2	105	SPRING	1900-72120	1
34	PIN	T1513-41310	1	106	CORD	4810-71240	1
35	RING	1260-41320	2	107	CORD, carth	4810-71250	1
36	BEARING	5500-41410	1	108	TUBE	T1512-71320	1
37	WASHER	1101-41340	2	109	PLUG, NGK CMR7A	4810-73110	1
38	CRANKSHAFT-C	4810-42000	1	110	GROMMET	4810-72120	1
39	NUT	1650-43230	1	111	RECOIL ASS'Y	4810-75100	1
40	KEY	1000-43240	1	112	• REEL	4500-75120	1
41	ROTOR	4810-71110	1	113	• SCREW	4500-75150	1
42	COIL-A	T1512-71200	1	114	• SPRING, spiral	1850-75130	1
43	• CORD	T1512-71220	1	115	• COLLAR	4500-75180	1
44	• CAP	2616-71320	1	116	• ARM	4500-75190	1
45	SPACER	1260-71261	2	117	• ROPE	4810-75160	1
46	BOLT	4500-72150	2	118	• KNOB	3330-75421	1
47	CARBURETOR ASS'Y, WYA-1D	4810-81002	1	119	• PLATE, stopper	4810-75170	1
48	• REBUILD KIT	T1551-06030	1	120	PULLEY	4500-75210	1
49	•• BODY ASS'Y	T1551-81450	1	121	SCREW	5500-85510	2
50	••• SCREEN	—	—	122	BODY ASS'Y	4810-82100	1
51	••• VALVE	—	—	123	• PLATE, choke	4810-82130	1
52	••• SPRING	—	—	124	• LEVER, choke	5500-82140	1
53	••• SCREW	—	—	125	• SCREW	2630-33610	1
54	••• PIN	—	—	126	ELEMENT	4810-82170	1
55	••• LEVER	—	—	127	SCREEN	4810-82180	1
56	•• GASKET KIT	4810-06021	1	128	COVER ASS'Y	4810-82200	1
57	••• DIAPHRAGM	—	—	129	• KNOB	5500-82221	1
58	••• GASKET, diaphragm	—	—	130	TANK ASS'Y	T1504-85002	1
59	••• DIAPHRAGM, pump	—	—	131	• CAP ASS'Y	T1015-85202	1
60	••• GASKET, pump	—	—	132	•• HOLDER-A	4500-85300	1
61	••• RING	4810-81130	1	133	•• PACKING	4500-85220	1
62	• BODY, purge	1850-81490	1	134	•• FILTER	5601-85260	1
63	• COVER, pump	1850-81520	1	135	•• STOPPER	4820-85260	1
64	• PUMP, priming	1751-81510	1	136	• PIPE COMP.	4810-85300	1
65	• JET, #38.5	4810-81251	1	137	• FLTER ASS'Y	3302-85400	1
66	• O-RING	1751-81240	1	138	• COLLER	2841-31280	1
67	• RING	1751-81130	1	139	SCREW, M5x16	5500-85510	3
68	• SWIVEL	1881-81140	1	140	LABEL, recoil	—	—
69	• VALVE ASS'Y	—	—	141	LABEL, cover	4810-31132	1
70	• SCREW	1752-81110	2	142	GUARD	T1506-31910	1
71	• BRACKET	5500-81120	1	143	SCREW	0263-90525	2
72	• NUT, adjuster	1751-81180	1	144	CLIP	1950-86120	1

12. Parts list

Fig.4 EX-LRT (S/N 000531 and up)

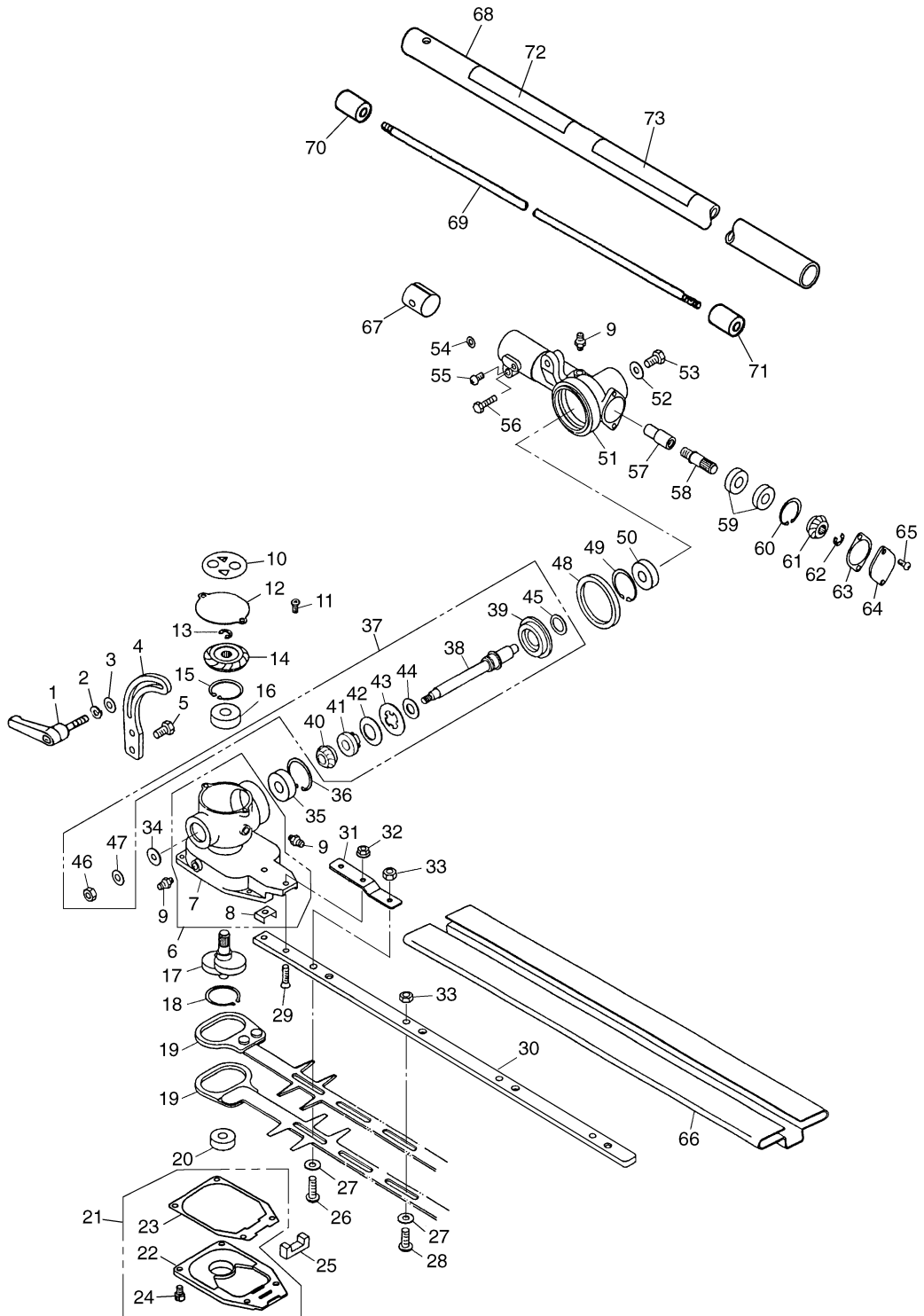


Fig.4 EX-LRT (S/N 000531 and up)

Key#	Description	Part Number	Q'ty	Key#	Description	Part Number	Q'ty
1	LEVER, clamp	6598-13110	1	53	BOLT M6x12	0225-10612	1
2	WASHER M6	0290-20615	1	54	WASHER 5x10x1.0	6782-13720	1
3	WASHER 6x15x2.0	6782-13650	1	55	BOLT M5x10	01252-30510	1
4	ANGLE ADJUSTER	6782-13141	1	56	BOLT M5x30	3350-21320	1
5	BOLT M6x12	0225-10612	2	57	JOINT	6782-13810	1
6	CASING A SET	6782-13200	1	58	GEAR SHAFT B	6598-13820	1
7	• CASING A	_____	1	59	BEARING 6900RS	6782-13830	2
8	• PLATE	6782-13220	1	60	SNAP RING	04065-02212	1
9	GREASE FITTING	3199-13350	3	61	BEVEL GEAR	6782-13850	1
10	LABEL	6782-13250	1	62	SNAP RING	6598-13330	1
11	SCREW M4x8	0263-10408	2	63	PACKING	6598-13860	1
12	COVER	6598-13320	1	64	COVER	6598-13870	1
13	SNAP RING	6598-13330	1	65	SCREW M4x8	0263-10408	2
14	BEBEL GEAR	6782-13340	1	66	BLADE COVER	6782-13910	1
15	SNAP RING	04065-02612	1	67	SPACER	6367-13990	1
16	BEARING	06004-06000	1	68	PIPE-COMP, \varnothing 24x750	T3102-12100	1
17	CRANK SHAFT	6782-13370	1	69	SHAFT, 755x7	T3102-12210	1
18	SNAP RING	04064-02815	1	70	SHAFT-JOINT	6036-12241	1
19	BLADE	6782-13411	2	71	SPACER	6036-12250	1
20	BEARING 608Z	6782-13430	1	72	PLATE-NAME	T3103-12511	1
21	COVER ASS'Y	6782-06010	1	73	PLATE	6425-12552	1
22	• COVER	6782-13441	1				
23	• GASKET	6782-13470	1				
24	• BOLT, M4x12	6783-13450	4				
25	FELT	6782-13460	1				
26	SCREW	3884-11750	1				
27	WASHER	3880-11780	4				
28	SCREW L17	6598-13510	3				
29	SCREW M5x20	6598-13530	2				
30	GUIDE PLATE	6782-13540	1				
31	PLATE	6782-13550	1				
32	NUT M5	6782-14470	2				
33	NUT M6	3880-11790	4				
34	WASHER 6x15x2.0	6782-13650	1				
35	BEARING 608 2RS	6598-13430	1				
36	SNAP RING	04065-02212	1				
37	SHAFT KIT	T4008-06010	1				
38	•• SHAFT	_____	1				
39	•• GEAR(B)	_____	1				
40	•• GEAR(C)	T4008-13630	1				
41	•• BOSS	_____	1				
42	•• SPRING	T4008-13650	1				
43	•• PLATE	T4008-13660	1				
44	•• WASHER	T4008-13670	1				
45	•• WASHER	T4008-13680	1				
46	• NUT M6	0280-10605	1				
47	• WASHER	0290-20615	1				
48	O-RING P41	6598-13620	1				
49	SNAP RING	04065-02612	1				
50	BEARING	06004-06000	1				
51	CASING B	6782-13710	1				
52	WASHER 6x15x2.0	6782-13650	1				

12. Parts list

Fig.5 EX-PS (S/N 000000 and up)

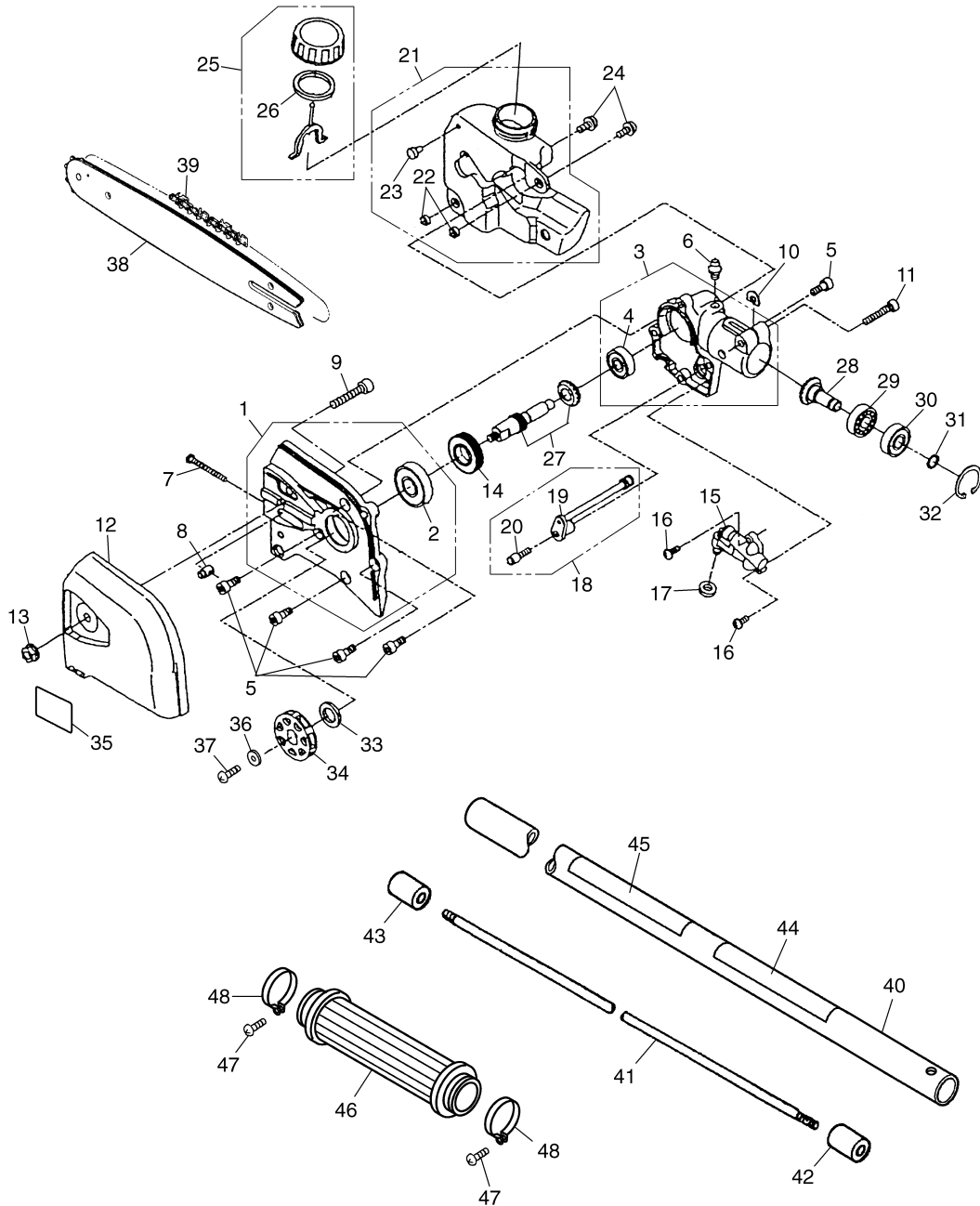


Fig.5 EX-PS (S/N 000000 and up)

Key#	Description	Part Number	Q'ty	Key#	Description	Part Number	Q'ty
1	GEAR CASE (L)COMP	T3073-13100	1	47	CLAMP	6193-11340	2
2	• BEARING	06004-06001	1	48	SCREW	0260-60312	2
3	GEAR CASE (R)COMP	T3073-13200	1				
4	• BEARING	06002-00627	1				
5	BOLT	01252-30512	5				
6	FITTING	3199-13350	1				
7	SCREW, tensioner	T3073-13310	1				
8	NUT, tensioner	T3073-13320	1				
9	BOLT	01252-30630	1				
10	SHIM	T3073-13250	1				
11	BOLT	3245-11350	1				
12	CHAIN COVER	T3073-13510	1				
13	NUT	T3073-13520	1				
14	WORM GEAR	T3073-13560	1				
15	OIL PUMP ASS'Y	T3073-13550	1				
16	SCREW	0263-30410	2				
17	GASKET	T3073-13580	1				
18	OIL PIPE ASS'Y	T3073-13700	1				
19	• OIL PIPE	T3073-13710	1				
20	• FILTER	T3073-13720	1				
21	OIL TANK ASS'Y	T3073-13800	1				
22	• COLLAR	T3073-13820	2				
23	• VALVE	T3073-13830	1				
24	SCREW	T3073-13860	2				
25	OIL CAP ASS'Y	T3073-13900	1				
26	• GASKET OIL CAP	T3073-13920	1				
27	GEAR SHAFT	T3073-13370	1				
28	BEVEL, pinion	T3073-13380	1				
29	BEARING	06000-00609	1				
30	BEARING	06002-00609	1				
31	SNAP RING	3210-13330	1				
32	SNAP RING	04065-02412	1				
33	COLLAR	T3073-13530	1				
34	SPROCKET	T3073-13540	1				
35	LABEL	T3073-13590	1				
36	WASHER	T3073-13350	1				
37	SCREW	T3073-13360	1				
38	BAR 12" (OREGON)	109666	1				
39	CHAIN (OREGON)	90SG44X	1				
40	PIPE-COMP, ø24x750	T3102-12100	1				
41	SHAFT, 755x7	T3102-12210	1				
42	SHAFT-JOINT	6036-12241	1				
43	SPACER	6036-12250	1				
44	PLATE-NAME	T3104-12511	1				
45	PLATE	6425-12552	1				
46	GRIP	6442-11332	1				

12. Parts list

Fig.6 EX-HE (S/N 000101 and up)

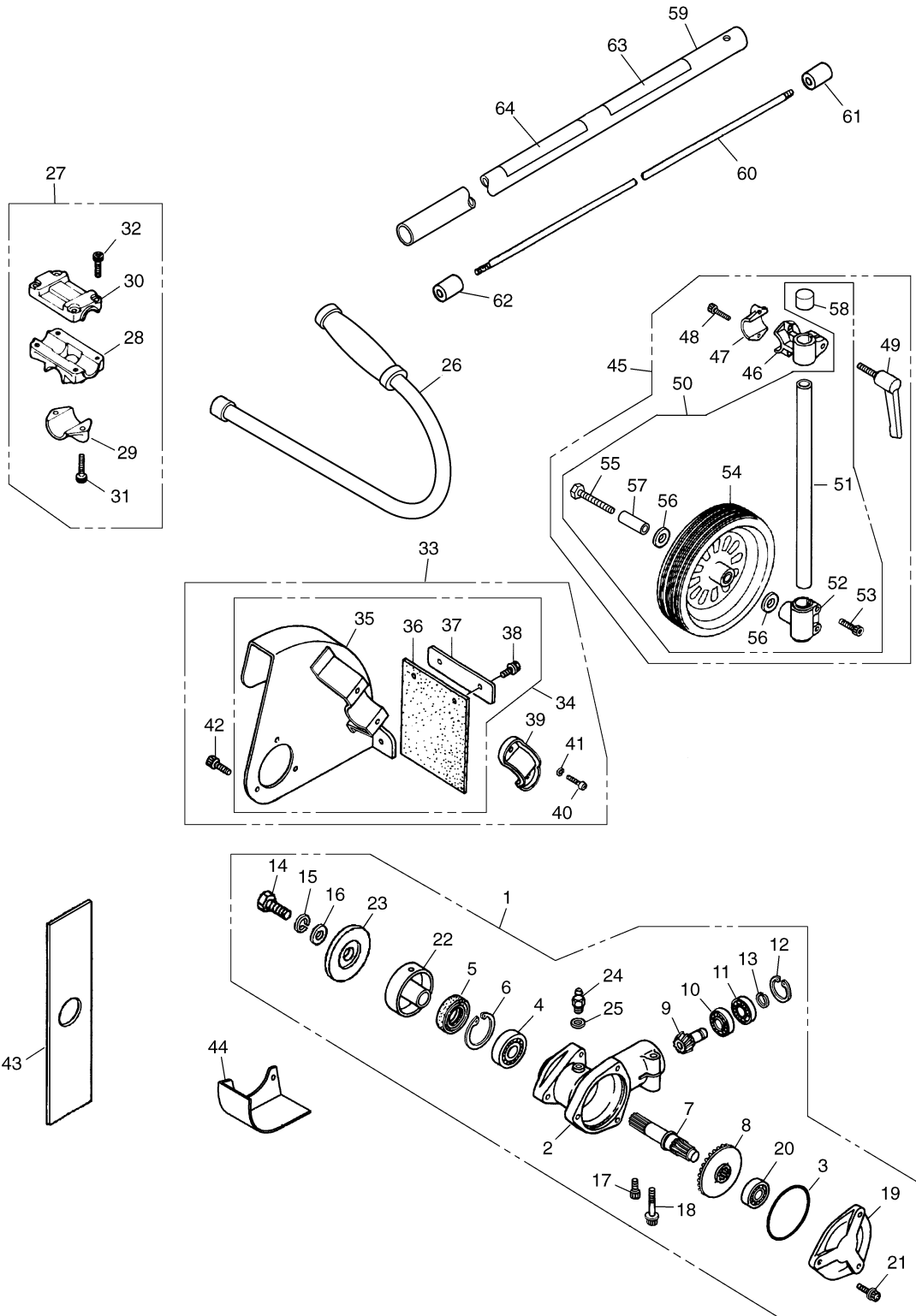


Fig.6 EX-HE (S/N 000101 and up)

Key#	Description	Part Number	Q'ty	Key#	Description	Part Number	Q'ty
1	GEARCASE-ASS'Y	6367-13000	1	51	•• PIPE	6367-15210	1
2	• GEARCASE	6367-13110	1	52	•• BRACKET	3808-15230	1
3	• O-RING	6367-13150	1	53	•• BOLT	01252-30625	2
4	• BEARING	06000-06201	1	54	•• WHEEL	T3052-25150	1
5	• SEAL	3180-13141	1	55	•• BOLT	01010-81055	1
6	• RING	04065-03212	1	56	•• WASHER	01642-21016	2
7	• SHAFT	3541-13212	1	57	•• PIPE	T3052-25160	1
8	• GEAR	6367-13130	1	58	•• CAP	T3052-15250	1
9	• PINION	6367-13140	1	59	PIPE-COMP, ϕ 24x750	T3105-12100	1
10	• BEARING	06000-00609	1	60	SHAFT, 755x7	T3102-12210	1
11	• BEARING	06001-00609	1	61	SHAFT-JOINT	6036-12241	1
12	• RING	04065-02412	1	62	SPACER	6036-12250	1
13	• RING	3210-13330	1	63	PLATE-NAME	T3105-12511	1
14	• BOLT	3579-33260	1	64	PLATE	6425-12552	1
15	• WASHER	3310-43210	1				
16	• WASHER	01643-30823	1				
17	• BOLT	01252-30512	1				
18	• BOLT	3540-13260	1				
19	• COVER	6367-13120	1				
20	• BEARING	06000-06000	1				
21	• BOLT	3350-31470	3				
22	• HOLDER (A)	3541-13241	1				
23	• HOLDER (B)	3541-13251	1				
24	• FITTING	3199-13350	1				
25	• WASHER	01641-20608	1				
26	HANDLE-COMP	6367-14200	1				
27	BRACKET-ASS'Y	3583-14101	1				
28	• BRACKET	3583-14111	1				
29	• CAP-L	3583-14121	1				
30	• CAP-U	3257-14192	1				
31	• BOLT	01252-30522	2				
32	• BOLT	01252-30525	4				
33	GUARD-ASS'Y	6367-24001	1				
34	• GUARD-COMP	6367-24101	1				
35	•• GUARD	6367-24111	1				
36	•• PLATE	6367-24120	1				
37	•• PLATE	6367-24131	1				
38	•• BOLT	0225-30512	2				
39	• CLAMP	5807-24120	1				
40	• BOLT	01252-30618	2				
41	• WASHER	0290-20615	2				
42	• BOLT	3350-31470	3				
43	BLADE	6367-15110	1				
44	COVER	T3052-13610	1				
45	WHEEL-ASS'Y	T3052-25001	1				
46	• BRACKET	6367-15230	1				
47	• CAP-L	3583-14121	1				
48	• BOLT	01252-30522	2				
49	• LEVER	3956-15340	1				
50	• WHEEL-S-ASS'Y	T3052-25101	1				