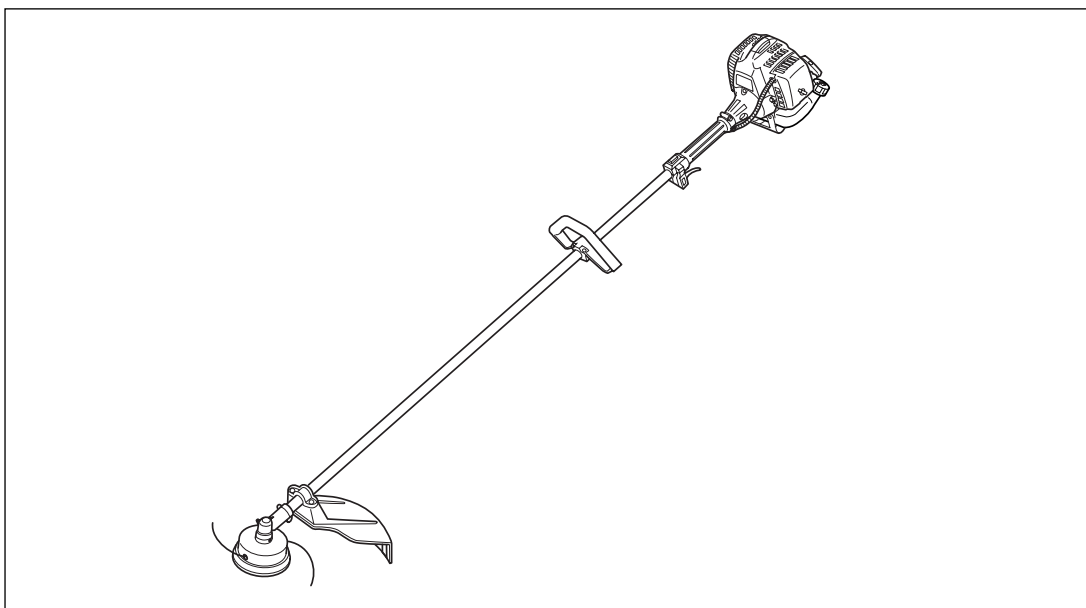




# ILLUSTRATED PARTS LIST

## BRUSHCUTTERS

### BCZ2400S



### WARNING



The engine exhaust from this product contains chemicals known to the State of California to cause cancer, birth defects or other reproductive harm.



### WARNING



Before using our brushcutters, please read this manual carefully to understand the proper use of your unit.

APPLICABLE SERIAL NUMBERS :

DRIVE UNIT 20001 and up

ENGINE UNIT 50100000 and up

## 12. Parts list

---

### BRUSHCUTTERS

### BCZ2400S

**NOTE :**

1. Use KOMATSU ZENOAH genuine parts as specified in the parts list for repair and/or replacement.
2. KOMATSU ZENOAH does not warrant the machines, which have been damaged by the use of any parts other than those specified by the company.
3. When placing parts orders for repair and/or replacement, check if the model name and the serial number are applicable to those specified in the parts list, then use parts number described in the parts list.
4. The contents described in the parts list may change due to improvement.
5. The parts for the machine shall be supplied seven (7) years after the machine is discontinued. [It is possible that some specific parts may be subject to change of their delivery term and list price within the limit of seven (7) years after the machine is discontinued. It is also possible that some parts may be available even after the limit of seven (7) years.]

July 2003

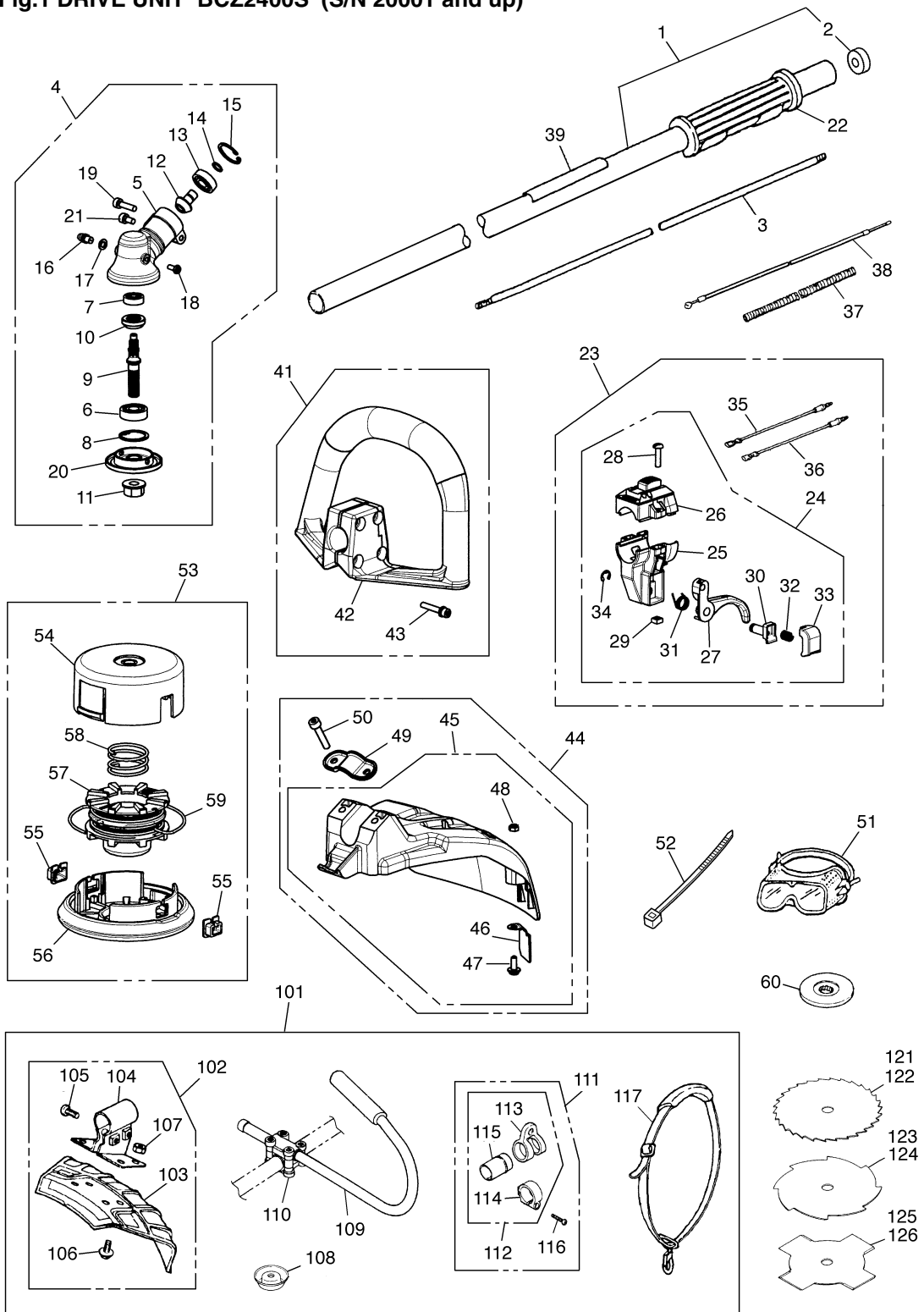
APPLICABLE SERIAL NUMBERS :

DRIVE UNIT 20001 and up

ENGINE UNIT 50100000 and up

# 12. Parts list

Fig.1 DRIVE UNIT BCZ2400S (S/N 20001 and up)

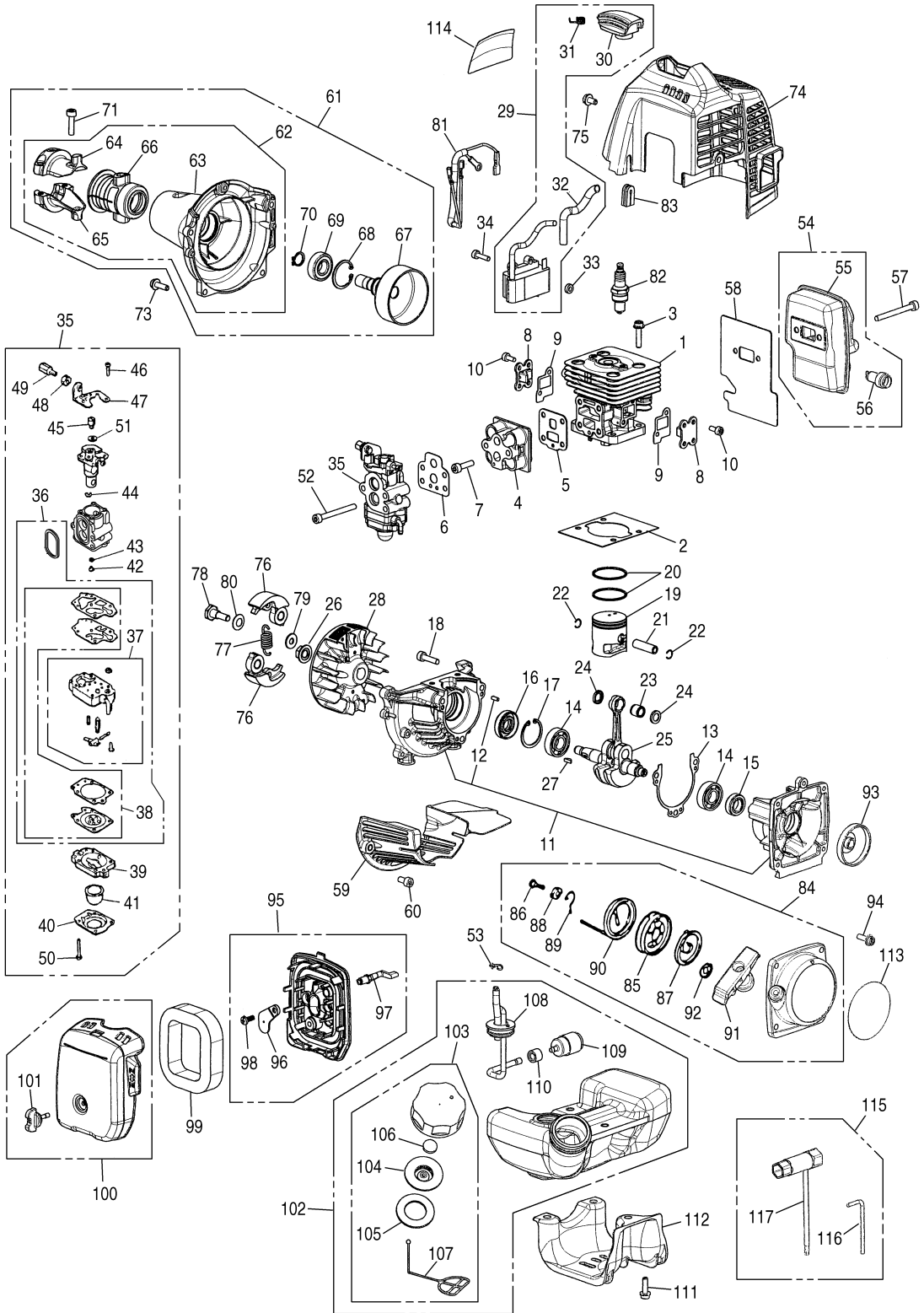


**Fig.1 DRIVE UNIT BCZ2400S (S/N 20001 and up)**

Key#	Part Number	Description	Q'ty	Key#	Part Number	Description	Q'ty
1	T3108-12100	PIPE COMP.	1	51	T3002-91190	GOGGLE	1
2	T3400-12130	• SEAL	1	52	6129-61210	BAND (T)	1
3	3520-12213	SHAFT	1	53	PT104 Plus	TAP HEAD COMP.	1
4	T3195-31001	GEARCASE ASSY	1	54	T3189-15112	• CASE	1
5	848-B20-62A0	• GEARCASE	1	55	T3189-15191	• EYELET	2
6	06004-06000	• BEARING	1	56	T3189-15132	• COVER	1
7	06000-00626	• BEARING	1	57	T3189-15142	• CORD HOLDER	1
8	04065-02612	• RING	1	58	T3189-15160	• SPRING	1
9	T3195-13210	• SHAFT	1	59	T3189-15180	• CORD	1
10	T3300-93250	• GEAR	1	60	6019-13250	HOLDER (B)	1
11	T3002-13260	• NUT	1	<b>OPTIONAL BLADE &amp; ACCESSORIES</b>			
12	T3195-13310	• PINION	1	101	BC00090	BLADE KIT (PRODUCT)	1
13	06001-00609	• BEARING	1	102	5764-24000	• GUARD ASSY	1
14	3210-13330	• RING	1	103	5766-24110	•• GUARD	1
15	04065-02412	• RING	1	104	3250-24120	•• BRACKET	1
16	3199-13350	• FITTING	1	105	0225-10620	•• BOLT	2
17	01641-20608	• WASHER	1	106	0263-30614	•• SCREW	4
18	0225-00410	• BOLT	1	107	0280-10605	•• NUT	4
19	4820-13180	BOLT TORX	1	108	3540-13283	• COVER	1
20	T3300-91340	• HOLDER (A)	1	109	6367-14200	• J-HANDLE	1
21	4820-12350	BOLT TORX	1	110	3583-14101	• BRACKET	1
22	3577-32141	GRIP	1	111	6420-17300	• HANGER ASSY	1
23	T3002-12202	LEVER COMP.	1	112	6420-17400	•• HANGER COMP.	1
24	6110-14412	• LEVER	1	113	9366-17110	••• HANGER	1
25	6110-14410-01	•• STAY	1	114	9366-17120	••• CLAMP	1
26	6110-14410-02	•• COVER	1	115	6420-17410	••• SLEEVE	1
27	T3002-12202-03	•• LEVER	1	116	0263-90525	•• SCREW	1
28	6110-14410-04	•• SCREW	2	117	T3300-17100	• STRAP ASSY	1
29	6110-14410-05	•• NUT	2				
30	6110-14410-06	•• SHAFT	1	121	SST229	9" 22-tooth	1
31	6110-14410-07	•• SPRING	1	122	SST249	9" 24-tooth	1
32	6110-14410-08	•• SPRING	1	123	SGB088	8" 8-tooth	1
33	T3032-14410-09	•• BUTTON	1	124	SGB089	9" 8-tooth	1
34	6110-14410-10	•• E-RING	1	125	SGB048	8" 4-tooth	1
35	T3002-12220	• CORD (A)	1	126	SGB049	9" 4-tooth	1
36	T3002-12230	• CORD (B)	1				
37	T3003-14510	TUBE	1				
38	1855-82100	CABLE COMP.	1				
39	848-B40-90R1	LABEL, name	1				
41	T3195-14002	HANDLE ASSY	1				
42	T3195-14102	• HANDLE T	1				
43	T4960-53030	• SCREW	4				
44	T3195-24003	GUARD ASSY	1				
45	T3195-24103	• GUARD COMP.	1				
46	T3002-24121	•• BLADE	1				
47	T4960-51431	•• SCREW TORX	1				
48	3320-15310	•• NUT	1				
49	3520-24120	• CLAMP	1				
50	T4950-63000	• BOLT TORX	2				

# 12. Parts list

Fig.2 ENGINE UNIT BCZ2400S (S/N 50100000 and up)



**Fig.2 ENGINE UNIT BC22400S (S/N 5010000 and up)**

Key#	Part Number	Description	Q'ty	Key#	Part Number	Description	Q'ty
1	T1551-12110	CYLINDER	1	62	T1551-31100	• HOUSING COMP.	1
2	T1551-12211	GASKET, base	1	63	T1551-31110	•• HOUSING	1
3	4820-12130	BOLT TORX	4	64	T1700-31212	•• BRACKET(A)	1
4	848-F00-14A2	INSULATOR	1	65	T1700-31221	•• BRACKET (B)	1
5	T1551-13121	GASKET, insu	1	66	T1700-31232	•• CUSHION	1
6	T1551-13131	GASKET, carb	1	67	848-F30-51A1	• DRUM	1
7	T4950-52001	BOLT TORX	4	68	04065-02812	• RING	1
8	T1551-16110	COVER, tr	2	69	T1701-31150	• BEARING	1
9	T1551-16142	GASKET, tr	2	70	04064-01210	• SNAP RING	1
10	4820-16310	BOLT TORX	4	71	4820-13180	• BOLT TORX	2
11	T1551-21101	CRANKCASE COMP.	1				
12	2629-21130	• PIN	3	73	4820-85510	BOLT TORX	4
13	T1551-21141	GASKET, case	1	74	T1551-32111	COVER, engine	1
14	06030-06001	BEARING	2	75	T4950-51011	BOLT TORX	2
15	4810-21210	SEAL	1	76	T1551-51111	SHOE	2
16	1850-21220	SEAL	1	77	4820-51220	SPRING	1
17	04065-02812	RING	1	78	1140-51250	SCREW	2
18	4820-13180	BOLT TORX	3	79	1140-51230	WASHER	2
19	848-F00-41A1	PISTON	1	80	1140-51242	WASHER	2
20	5910-41210	RING	2	81	T1551-73200	CORD COMP.	1
21	1600-41310	PIN	1	82	T2070-73110	SPARKPLUG	1
22	1260-41320	RING	2	83	4810-72120	GROMET	1
23	T1551-41410	BEARING	1	84	T1551-75100	RECOIL ASSY	1
24	1101-41340	WASHER	2	85	4500-75120	• REEL	1
25	T1551-42000	CRANKSHAFT COMP.	1	86	4500-75150	• SCREW	1
26	1650-43230	NUT	1	87	1850-75130	• SPRING	1
27	1000-43240	KEY	1	88	4500-75180	• COLLAR	1
28	4810-71110	ROTOR	1	89	4500-75190	• ARM	1
29	T1551-71200	COIL ASSY	1	90	4810-75160	• ROPE	1
30	4810-72111	• CAP	1	91	3330-75421	• KNOB	1
31	1900-72120	• SPRING	1	92	4810-75170	• PLATE	1
32	2850-71320	• TUBE	1	93	4500-75210	PULIEY	1
33	1260-71261	SPACER	2	94	4820-85510	BOLT TORX	4
34	4820-72150	BOLT TORX	2	95	848-F00-8310	BODY ASSY	1
35	848-F00-8102	CARBURETOR ASSY	1	96	T1512-82130	• PLATE, choke	1
36	T1551-06030	• REBUILD KIT	1	97	T1600-82140	• LEVER	1
37	T1551-81450	•• BODY ASSY	1	98	T1108-82190	• SCREW	1
38	4810-06021	•• GASKET KIT	1	99	T1551-82170	ELEMENT	1
39	1850-81490	• BODY	1	100	848-F62-8320	COVER ASSY	1
40	1850-81520	• COVER	1	101	T1108-82220	• KNOB	1
41	1751-81510	• PUMP	1	102	T1551-85001	TANK ASSY	1
42	848-F00-81P0	• JET	1	103	T1015-85202	• CAP ASSY	1
43	1751-81240	• O-RING	1	104	4500-85300	•• HOLDER ASSY	1
44	1751-81130	• RING	1	105	4500-85220	•• PACKING	1
45	1881-81140	• SWIVEL	1	106	5601-85260	•• FILTER	1
46	1752-81110	• SCREW	2	107	4820-85260	•• STOPPER	1
47	5500-81120	• BRACKET	1	108	T1551-85300	• PIPE COMP.	1
48	1751-81180	• NUT	1	109	3302-85400	• FILTER	1
49	1918-81170	• SCREW	1	110	2841-31280	• COLLER	1
50	1850-81530	• SCREW	4	111	4820-85510	BOLT TORX	3
51	5500-81160	• WASHER	1	112	T1551-31910	GUARD, tank	1
52	4820-15310	BOLT TORX	2	113	_____	LABEL, recoil	-
53	1950-86120	CLIP	1	114	T1551-31130	LABEL, cover	1
54	848-F00-1510	MUFFLER ASSY	1	115	T1551-91000	TOOL-SET	1
55	848-F00-15A0	• MUFFLER	1	116	3540-91110	• BAR	1
56	4810-15140	• ARRESTER	1	117	T4017-91130	• SOCKET	1
57	4820-15310	BOLT TORX	2				
58	T1551-15210	GASKET, muff	1				
59	848-F00-15D1	PLATE	1				
60	4820-12350	BOLT TORX	2				
61	848-F00-5301	HOUSING ASSY	1				