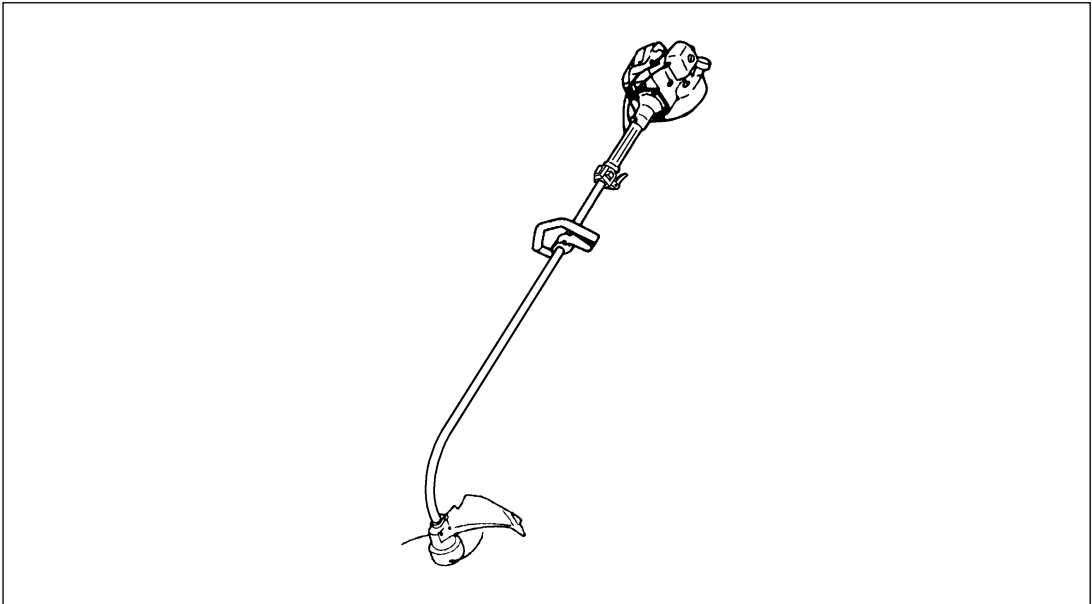




ILLUSTRATED PARTS LIST

LINE TRIMMER

BT225



WARNING



The engine exhaust from this product contains chemicals known to the State of California to cause cancer, birth defects or other reproductive harm.



WARNING



Before using our products, please read this manual carefully to understand the proper use of your unit.

APPLICABLE SERIAL NUMBERS :

DRIVE UNIT 000001 and up

ENGINE UNIT 50100000 and up

12. Parts list

LINE TRIMMER

BT225

NOTE :

1. Use KOMATSU ZENOAH genuine parts as specified in the parts list for repair and/or replacement.
2. KOMATSU ZENOAH does not warrant the machines, which have been damaged by the use of any parts other than those specified by the company.
3. When placing parts orders for repair and/or replacement, check if the model name and the serial number are applicable to those specified in the parts list, then use parts number described in the parts list.
4. The contents described in the parts list may change due to improvement.
5. The parts for the machine shall be supplied seven (7) years after the machine is discontinued. [It is possible that some specific parts may be subject to change of their delivery term and list price within the limit of seven (7) years after the machine is discontinued. It is also possible that some parts may be available even after the limit of seven (7) years.]

APPLICABLE SERIAL NUMBERS :

Jan. 2002

DRIVE UNIT 000001 and up

ENGINE UNIT 50100000 and up

12. Parts list

Fig.1 DRIVE UNIT BT225 (S/N 000001 and up)

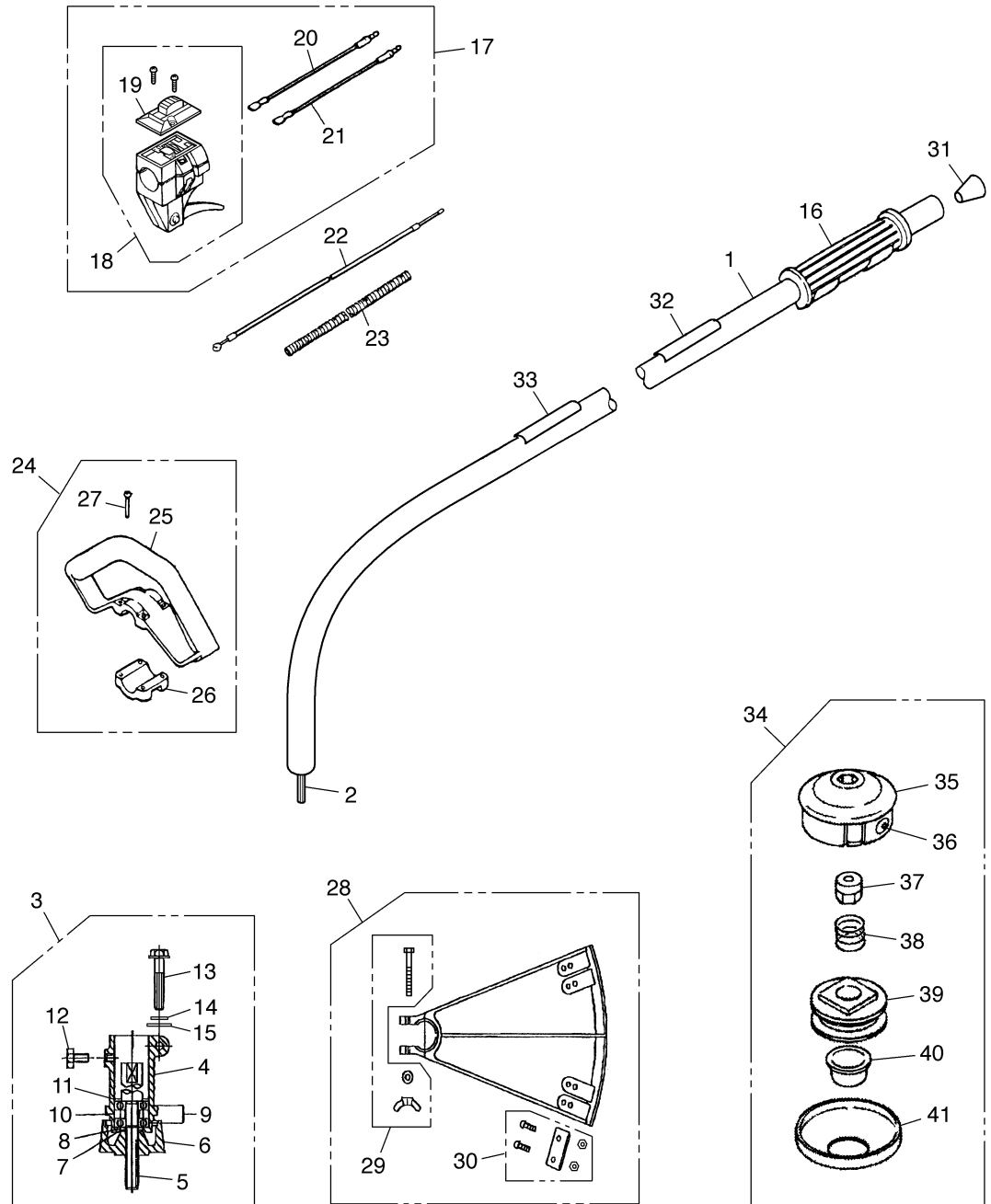


Fig.1 DRIVE UNIT BT225 (S/N 000001 and up)

Key#	Description	Part Number	Q'ty	Key#	Description	Part Number	Q'ty
1	PIPE COMP.	BT01-50810	1				
2	DRIVE SHAFT	BT01-50710	1				
3	HOUSING ASSY	BT00-50910	1				
4	• CASE	N/A	1				
5	• SHAFT	N/A	1				
6	• HOLDER	N/A	1				
7	• SPRING WASHER, M8	BT00-50920	1				
8	• WASHER, M8	BT00-50960	1				
9	• BEARING	06002-00608	2				
10	• BUSHING	BT00-50940	1				
11	• WASHER M12	BT00-50930	1				
12	• BOLT, M5x10	01252-30510	1				
13	• BOLT, M5x30	01252-30530	1				
14	• SPRING WASHER, M5	BT00-50950	1				
15	• WASHER	01641-20508	1				
16	GRIP	3577-32141	1				
17	LEVER COMP.	T3002-12203	1				
18	• LEVER ASSY	6110-14412	1				
19	•• COVER	6110-14410-02	1				
20	• CORD(A), black	T3002-12220	1				
21	• CORD(B), red	T3002-12230	1				
22	THROTTLE CABLE ASSY	1855-82100	1				
23	TUBE	T3003-14510	1				
24	HANDLE ASSY	6420-14100	1				
25	• HANDLE	6420-14311	1				
26	• CLAMP	6420-14320	1				
27	• SCREW	0263-90535	4				
28	GUARD ASSY	BT00-80810	1				
29	• GUARD MOUNTING ASSY	BT00-80840	1				
30	• BLADE ASSY	BT00-80830	1				
31	END CAP, TUBE	BT00-50820	1				
32	PLATE, name	BT01-99010	1				
33	PLATE, caution	6425-12552	1				
34	TAP HEAD	UBT100R	1				
35	HOUSING	UBT-341R	1				
36	EYELET	UBT-9	2				
37	BOLT	UBTR-F10RHF	1				
38	SPRING	UBT-354	1				
39	SPOOL	UBT-345R	1				
40	BUTTON	UBT-347	1				
41	COVER	UBT-348R	1				

12. Parts list

Fig.2 ENGINE UNIT BT225 (S/N 50100000 and up)

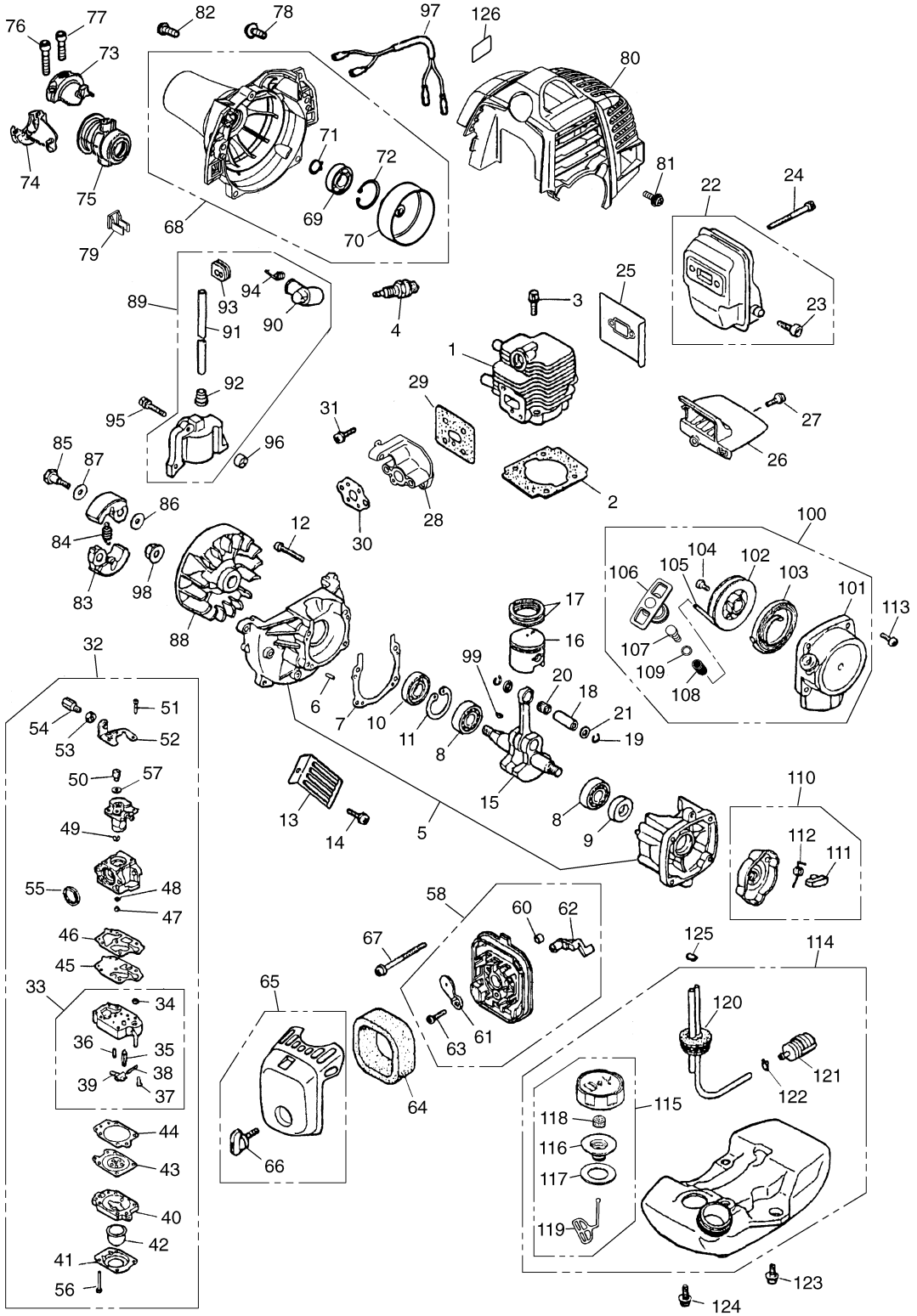


Fig.2 ENGINE UNIT BT225 (S/N 5010000 and up)

Key#	Description	Part Number	Q'ty	Key#	Description	Part Number	Q'ty
1	CYLINDER	5580-12110	1	64	ELEMENT	5500-82171	1
2	GASKET, base	5500-12213	1	65	COVER ASSY	T1701-82200	1
3	BOLT	1850-12130	2	66	• KNOB	5500-82221	1
4	PLUG RCJ-6Y	5602-73110	1	67	SCREW	0263-90560	2
5	CRANKCASE COMP.	5500-21100	1	68	HOUSING-ASSY	T1716-31100	1
6	• PIN	2629-21130	3	69	• BEARING	06002-06001	1
7	GASKET	5500-21141	1	70	• DRUM	4820-31120	1
8	BEARING	06030-06001	2	71	• RING	04064-01210	1
9	SEAL	2169-21210	1	72	• RING	04065-02812	1
10	SEAL	1850-21220	1	73	BRACKET (A)	T1700-31212	1
11	SNAP RING	04065-02812	1	74	BRACKET (B)	T1700-31221	1
12	BOLT	01252-30530	3	75	CUSHION	T1700-31232	1
13	GUARD	5500-22110	1	76	BOLT	01252-30522	2
14	SCREW	0263-90514	1	77	BOLT	01252-30510	1
15	CRANKSHAFT COMP.	5500-42001	1	78	SCREW	0263-90520	4
16	PISTON	5600-41111	1	79	CLAMP	T1600-72210	1
17	RING	1100-41210	2	80	COVER, engine	T1700-32110	1
18	PIN	1101-41310	1	81	SCREW	T1700-32162	1
19	RING	1260-41320	2	82	SCREW	0263-90514	1
20	BEARING	5500-41410	1	83	SHOE	1140-51111	2
21	WASHER	1101-41340	2	84	SPRING	T1700-51220	1
22	MUFFLER ASSY	T1702-15100	1	85	SCREW	1140-51250	2
23	ARRESTER	1601-15120	1	86	WASHER	1140-51230	2
24	BOLT	01252-30550	2	87	WASHER	1970-51241	2
25	GASKET	T1600-15210	1	88	ROTOR	T1700-71110	1
26	PLATE	5500-15221	1	89	COIL ASSY	T1700-71200	1
27	SCREW	0263-90416	1	90	• CAP	5500-72110	1
28	INSULATOR	T1700-13160	1	91	• CORD	T1700-71220	1
29	GASKET, insulator	5500-13121	1	92	• CAP	2616-71320	1
30	GASKET, carburetor	5500-13131	1	93	• GROMMET	5500-72130	1
31	SCREW	0263-90520	2	94	• SPRING	5500-72120	1
32	CARBURETOR ASSY	5501-81000	1	95	BOLT	3310-72150	2
33	• BODY ASSY	1850-81450	1	96	SPACER	T1700-71260	2
34	•• SCREEN	3306-81380	1	97	CORD COMP.	T1700-73200	1
35	•• VALVE	3356-81310	1	98	NUT	1650-43230	1
36	•• SPRING	1850-81270	1	99	KEY	1000-43240	1
37	•• SCREW	1850-81220	1	100	RECOIL ASSY	T1700-75100	1
38	•• PIN	3310-81250	1	101	• CASE COMP.	5500-75110	1
39	•• LEVER	3310-81230	1	102	• REEL	1850-75120	1
40	• BODY, purge	1850-81490	1	103	• SPRING	1850-75130	1
41	• COVER, pump	1850-81520	1	104	• SCREW	1850-75151	1
42	• PUMP, priming	1751-81510	1	105	• ROPE	T1600-75160	1
43	• DIAPHRAGM	3310-81260	1	106	• KNOB	T1600-75310	1
44	• GASKET, diaphragm	1850-81470	1	107	• COLLAR	T1600-75321	1
45	• DIAPHRAGM, pump	1065-81420	1	108	• SPRING	T1600-75330	1
46	• GASKET, pump	1065-81410	1	109	• WASHER	T1600-75210	1
47	• JET	5500-81251	1	110	PULLEYASSY	1850-75201	1
48	• RING	1751-81240	1	111	• RATCHET	1850-75221	1
49	• RING	1751-81130	1	112	• SPRING	1850-75230	1
50	• SWIVEL	1881-81140	1	113	SCREW	T1700-32162	4
51	• SCREW	1752-81110	2	114	TANK ASSY	T1700-85001	1
52	• BRACKET	5500-81120	1	115	• CAP ASSY	5607-85201	1
53	• NUT, adjuster	1751-81180	1	116	•• HOLDER ASSY	5601-85300	1
54	• SCREW, adjuster	1918-81170	1	117	•• PACKING	5500-85220	1
55	• RING	1881-81130	1	118	•• FILTER	5601-85260	1
56	• SCREW	1850-81530	4	119	•• STOPPER	4820-85260	1
57	• WASHER	5500-81160	1	120	• PIPE COMP.	5500-85300	1
58	BODY ASSY	T1700-82100	1	121	• FILTER ASSY	5500-85400	1
60	• SLEEVE	1970-82190	2	122	• CLIP	1260-85460	1
61	• PLATE, choke	T1700-82130	1	123	SCREW	5910-85510	1
62	• LEVER, choke	T1700-82140	1	124	SCREW	5500-85510	2
63	• SCREW	2630-33610	1	125	CLIP	1950-86120	1
				126	LABEL	T1716-31120	1