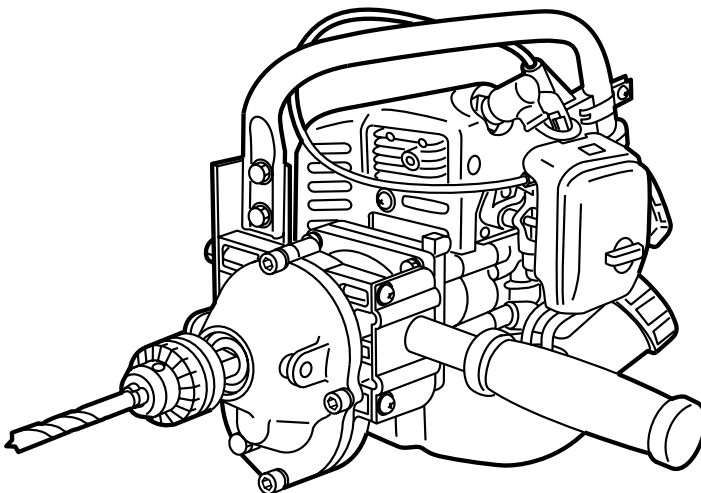




# OWNER/OPERATOR MANUAL

## PORTABLE GAS DRILL

# EDG2300



(NOTE: Drill is optional part.)



### WARNING



The engine exhaust from this product contains chemicals known to the State of California to cause cancer, birth defects or other reproductive harm.

Thank you for purchasing a RedMax product.

Before using our portable gas drill, please read this manual carefully to understand the proper use of your unit.

APPLICABLE SERIAL NUMBERS :


901112 and up



**Read this manual carefully to understand all safety precautions, controls, proper operation and maintenance of your RedMax portable gas drill. Failure to do so could result in serious injury.**



## **SAFETY FIRST**

Instructions contained in warnings within this manual marked with a  symbol concern critical points which must be taken into consideration to prevent possible serious bodily injury, and for this reason you are requested to read all such instructions carefully and follow them without fail.

Note that there may be times when warning seals peel off or become soiled and impossible to read. If this happens, you should contact the dealer from which you purchased the product to order new seals and affix the new seal(s) in the required location(s).

### **■ NOTES ON TYPES OF WARNINGS**



Instructions labeled as shown at left, concern critical steps or procedures which must be followed in order to prevent accidents which could lead to serious bodily injury or death. This mark is used to indicate instructions which must be followed without exception.



Instructions labeled as shown at left concern steps or procedures which, if not followed correctly, could lead to mechanical failure, breakdown, or damage.



Used to label supplementary instructions designed to provide hints or directions useful in the use of the product.

# CONTENTS

<b>SAFETY PRECAUTIONS</b> .....	<b>4</b>
IN ORDER TO ENSURE PROPER AND SAFE OPERATION OF YOUR PORTABLE GAS DRILL	
WORK GEAR AND CLOTHING	
WARNINGS CONSIDERING HANDLING OF FUEL	
THINGS TO CHECK BEFORE USING YOUR PORTABLE GAS DRILL	
THINGS TO CHECK BEFORE STARTING UP THE ENGINE	
AVOID NOISE PROBLEM	
THINGS TO BE CAREFUL ABOUT WHEN USING YOUR PORTABLE GAS DRILL	
NOTES ON CARE AND MAINTENANCE OF YOUR PORTABLE GAS DRILL	
<b>EMISSION CONTROL LABEL</b> .....	<b>8</b>
<b>PARTS LOCATION &amp; SPECIFICATIONS</b> .....	<b>9</b>
<b>SETUP</b> .....	<b>9</b>
<b>FUEL</b> .....	<b>10</b>
RECOMMENDED MIXING RATIO	
HOW TO MIX FUEL	
FUELING THE UNIT	
<b>OPERATION</b> .....	<b>12</b>
THROTTLE CABLE ADJUSTMENT	
STARTING ENGINE	
STOPPING ENGINE	
BORING OPERATION	
ADJUSTMENT OF IDLING SPEED	
<b>MAINTENANCE</b> .....	<b>14</b>
MAINTENANCE CHART	
DAILY INSPECTION	
INSPECTION EVERY 25 HOURS	
INSPECTION EVERY 100 HOURS	
<b>STORAGE</b> .....	<b>16</b>
BEFORE LONG-TERM STORAGE	
<b>DISPOSAL</b> .....	<b>16</b>
<b>PARTS LIST</b> .....	<b>17</b>



## Safety Precautions

### ■ IN ORDER TO ENSURE PROPER AND SAFE OPERATION OF YOUR PORTABLE GAS DRILL

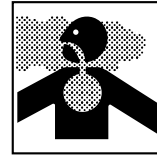
- Read this Owner/Operator Manual carefully. Be sure you understand how to operate this unit properly before you use it. Failure to do so could result in serious injury.



- Be sure to keep this manual handy so that you may refer to it later whenever any questions arise. Also note that you are requested to contact the dealer from whom you purchased the product for assistance in the event that you have any questions which cannot be answered herein.
- Always be sure to include this manual when selling, lending, or otherwise transferring the ownership of this product.
- This product has been designed for use in drilling, and it should never be used for any other purpose since doing so could result in unforeseen accidents and injuries occurring.
- You should never use this portable gas drill when under the influence of alcohol, when suffering from exhaustion or lack of sleep, when suffering from drowsiness as a result of having taken cold medicine, or at any other time when a possibility exists that your judgment might be impaired or that you might not be able to operate the portable gas drill properly and in a safe manner. Also be sure never to allow children or anyone unable to fully understand the directions given in this manual to use this portable gas drill.



- Avoid running the engine indoors. The exhaust gases contain harmful carbon monoxide.



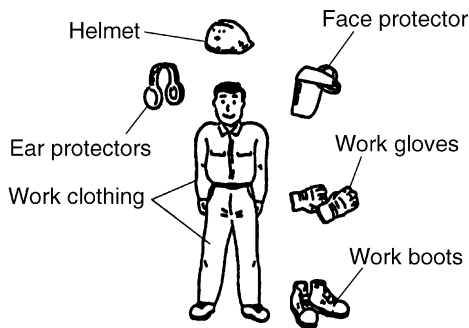
- Never use your portable gas drill under circumstances like those described below:
  1. When the ground is slippery or when other conditions exist which might make it not possible to maintain a steady posture while using the portable gas drill.
  2. At night, at times of heavy fog, or at any other times when your field of vision might be limited and it would be difficult to gain a clear view of the area where the portable gas drill is to be used to ensure safety.
  3. During rain storms, during lightning storms, at times of strong or gale-force winds, or at any other times when weather conditions might make it unsafe to use this product.
- When using this product for the first time, before beginning actual work, take the portable gas drill to a wide, clear, open space, turn on the power, and practice handling the portable gas drill until you are sure that you will be able to handle it properly in actual operation.
- Lack of sleep, tiredness, or physical exhaustion results in lower attention spans, and this in turn leads to accidents and injury. When planning your work schedule, allow plenty of time to perform the work of cutting and allow plenty of time for rest. Limit the amount of time over which the portable gas drill is to be used continuously to somewhere around 30~40 minutes per session, and take 10~20 minutes of rest between work sessions. Also try to keep the total amount of work performed in a single day under 2 hours or less.



## Safety Precautions

### ■ WORK GEAR AND CLOTHING

- When using your portable gas drill, always be sure to wear strong, durable, work clothing; shirts should be long-sleeved shirts and pants should be full-length pants reaching down to the ankles.
- Always be sure to wear a helmet and face protector when using your portable gas drill.
- When using your portable gas drill, always be sure to wear thick work gloves to protect your hands and non-slip-sole work boots to prevent you from slipping. Never use your portable gas drill when wearing pants with loose cuffs, when wearing sandals, or when barefoot.
- When using your portable gas drill for an extended period of time, you should wear ear protectors to protect yourself from loss of hearing from overexposure to high levels of sound.



### ■ WARNINGS CONSIDERING HANDLING OF FUEL

- The engine of the portable gas drill is designed to run on a mixed fuel which contains highly flammable gasoline. This fuel is highly flammable and you should never store cans of fuel or refill the tank of the portable gas drill in any place where there is a boiler, stove, wood fire, electrical sparks, welding sparks, or any other source of heat or fire which might ignite the fuel.



- Smoking while operating the portable gas drill or refilling its fuel tank is extremely dangerous. Always be sure to keep lit cigarettes away from the portable gas drill at all times.
- When refilling the tank always turn off the engine first and take a careful look around to make sure that there are no sparks or open flames anywhere nearby before refueling.
- If any fuel spillage occurs during refueling, always be sure to use a dry rag to wipe any fuel which has been spilled onto the portable gas drill before turning the engine back on again.
- After refueling, screw the fuel cap back tightly onto the fuel tank and then carry the portable gas drill to a spot 10feet (3m) or more away from where it was refueled before turning on the engine.



## **Safety Precautions**

### ■ THINGS TO CHECK BEFORE USING YOUR PORTABLE GAS DRILL

- Before beginning work, look around carefully to get a feel for the shape of the land, and whether or not there are any obstacles which might get in the way while working, and remove any obstacles which can be cleared away before beginning work.
- The area within a perimeter of 50feet (15m) of the person using the portable gas drill should be considered a hazardous area into which no one should enter while the portable gas drill is in use, and when necessary yellow warning rope, warning signs, or some other form of warnings should be placed around the perimeter of the area. When work is to be performed simultaneously by two or more persons, care should also be taken to constantly look around or otherwise check for the presence and locations of other people using portable gas drill within the work area so as to maintain a distance between each person sufficient to ensure safety.
- Before beginning work, each component of the portable gas drill should be checked to make sure that it is in proper working order and to make sure that there are no loose screws or bolts, fuel leaks, ruptures, dents, or any other problems which might interfere with safe operation. Be especially careful at this time to check that there is nothing wrong with the drills or with the joints by which the drills are attached to the portable gas drill.

### ■ THINGS TO CHECK BEFORE STARTING UP THE ENGINE

- Take a careful look around to make sure that no obstacles exist within a perimeter of 15feet (5m) or less around the portable gas drill before starting the engine.



- The portable gas drill is equipped with a centrifugal clutch mechanism which causes the drills to begin to rotate as soon as the engine is started by putting the throttle into the start position. When starting the engine, hold it firmly in place so as to ensure that nor the throttle may not come into contact with any obstacles when the engine starts up.
- Never place the throttle into the high speed position when starting the engine.
- After starting up the engine, check to make sure that the drills stop rotating when the throttle is moved fully back to its original position. If the drills continue to rotate even after the throttle has been moved fully back, turn off the engine and take the unit to your authorized Red Max servicing dealer for repair.

### ■ AVOID NOISE PROBLEM

#### NOTE

**Check and follow the local regulations as to sound level and hours of operations for portable gas drill.**

- In general, operate portable gas drill between 8a.m. and 5p.m. on week days and 9a.m. to 5p.m. weekends. Avoid using portable gas drill late at night and/or early in the morning.



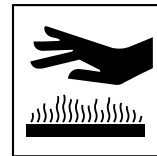
## **Safety Precautions**

### ■ THINGS TO BE CAREFUL ABOUT WHEN USING YOUR PORTABLE GAS DRILL

- When using your portable gas drill, grip the handles of the portable gas drill firmly with both hands, place your feet slightly apart (slightly further apart than the width of your shoulders) so that your weight is distributed evenly across both legs, and always be sure to maintain a steady, even posture while working.
- Maintain the speed of the engine at the level required to perform drilling work, and never raise the speed of the engine above the level necessary.
- Always be sure never to allow other persons to come within the work area while drilling.
- Be especially careful not to slip if it is raining or if rain has just stopped, as the ground is likely to be slippery at such times.
- If the grass or other object gets caught in the drill during operation, always be sure to turn off the engine before removing the object.
- Guard against hazardous situations at all times. Warn adults to keep pets and children away from the area. Establish a safe method for gaining your attention during operation. Be careful if you are approached.
- If someone calls out or otherwise interrupts you while working, always be sure to turn off the engine before turning around.
- Keep operation area clear of all persons, particularly small children and pets.
- Never touch the spark plug or plug cord while the engine is in operation. Doing so may result in being subjected to an electrical shock.



- Never touch the muffler, spark plug, or other metallic parts of the engine while the engine is in operation or immediately after shutting down the engine. These metallic parts reach high temperatures during operation and doing so could result in serious burns.



- When you finish drilling in one location and wish to continue work in another spot, turn off the engine before carrying it to the new location.
- Never transport the portable gas drill over rough roads over long distances without first removing all fuel from the fuel tank, as doing so might cause fuel to leak from the tank as a result of shocks absorbed during transport.



## Safety Precautions

### ■ NOTES ON CARE AND MAINTENANCE OF YOUR PORTABLE GAS DRILL

- In order to maintain your portable gas drill in proper working order, perform the maintenance and checking operations described in this manual at regular intervals. In the event that any parts must be replaced or any maintenance or repair work not described in this manual must be performed, please contact a representative from the store nearest RedMax authorized servicing dealer for assistance.
- Under no circumstances should you ever take apart the portable gas drill or alter it in any way. Doing so might result in the portable gas drill becoming damaged during operation or the portable gas drill becoming unable to operate properly.
- Always be sure to turn off the engine before performing any maintenance or checking procedures.
- When removing, or reattaching the drills, be sure to wear thick, sturdy gloves and use only proper tools and equipment to prevent injury.
- When replacing drills or any other parts or when replacing the oil or any lubricants, always be sure to use only RedMax products or products which have been certified by RedMax for use with the portable gas drill.
- Do not use any accessory or attachment other than those bearing the RedMax mark and recommended for the unit.

## Emission Control Label

### IMPORTANT ENGINE INFORMATION

THIS ENGINE CONFORMS TO U.S. EPA PH1 FOR SMALL OFF-ROAD ENGINES.

ENGINE FAMILY : 7KZXS.0254CD ; EM\*1

ENGINE DISPLACEMENT : 23cc

REFER TO OWNER'S MANUAL FOR MAINTENANCE, SPECIFICATIONS AND ADJUSTMENTS.

#### MANUFACTURED:

USE JASO FC OR ISO EGC GRADE 50:1 OIL.



ZENOAH CO.,LTD.

### Information du moteur importante

Ce moteur est conforme aux reglements U.S. EPA PH1 pour les petits moteurs du offroad.

Type de moteur : 7KZXS.0254CD ; EM\*1

Cylindree du moteur : 23cc

Se fererer au manuel de l'utilisateur pour les specifications d'entretien et les réglages.

#### FABRIQUE PAR:

Utilise JASO FC ou ISO EGC 50:1 Huile.



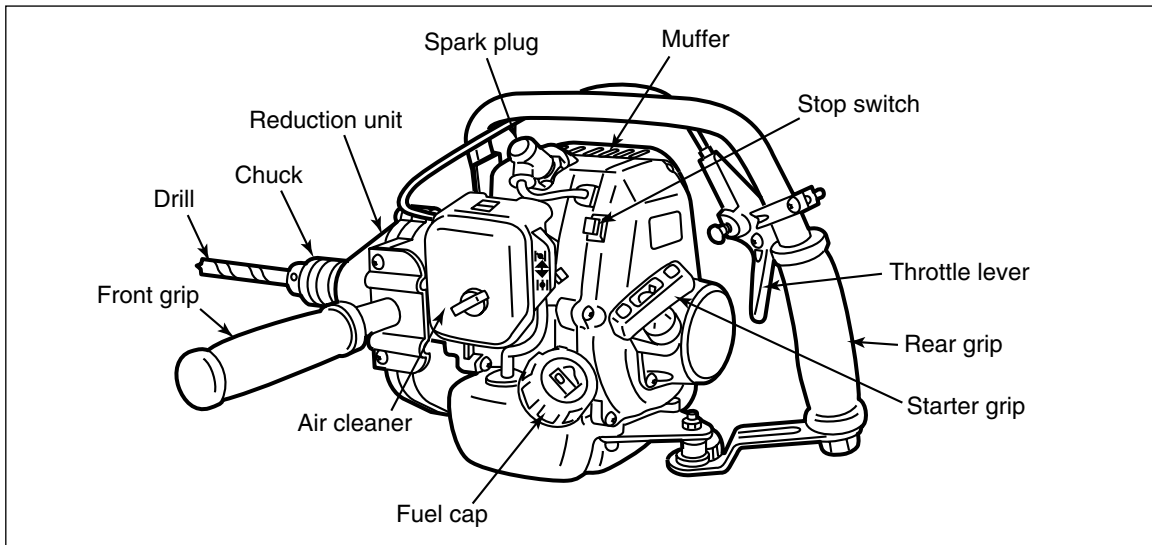
ZENOAH CO.,LTD.

\*1: The initial number will be changed every year of manufacturing.

\*1: Le nombre initial changera chaque année de la fabrication.



# Parts Location & Specifications



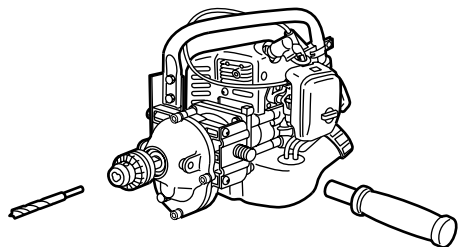
## MODEL EDG2300

Overall Dimensions (LxWxH)	in (mm)	14.7x8.42x9.34 (366x210x233)
Dry Weight	lbs (kg)	10.6 (4.8kg)
Transmission		Automatic centrifugal clutch and reduction gears
Reduction Ratio		1 : 10.6
Recommended drill size	in (mm)	Dia. 1/2in.(12.7mm)
Engine Type		Air cooled 2-cycle gasoline engine
Displacement	cc (cu. in)	22.5 (1.37)
Max. Output	kW (HP)	0.87 (1.18) at 8000 rpm
Fuel		Mixture (Gasoline 50 : 2-cycle oil 1) (when using RedMax/ZENOAH genuine oil)
Fuel Tank Capacity	pints ( ℓ )	1.21 (0.57)
Carburetor		Diaphragm type, Rotary Valve
Ignition System		Transistor controlled flywheel magneto
Spark Plug		NGK BPMR7A
Starting		Recoil starter
Stopping		Primary circuit short-circuiting
Standard Accessory		Service tool kit

Specifications are subject to change without notice.

## Setup

1. Attach the grip and the drill chuck to the power unit securely by hand.
2. Insert the drill into the chuck, and tighten firmly.



# Fuel

## ⚠ WARNING

- Gasoline is very flammable. Avoid smoking or bringing any flame or sparks near fuel. Make sure to stop the engine and allow it cool before refueling the unit. Select outdoor bare ground for fueling and move at least 3m (10ft) away from the fueling point before starting the engine.



- The RedMax engines are lubricated by oil specially formulated for air-cooled 2-cycle gasoline engine use. If RedMax oil is not available, use an anti-oxidant added quality oil expressly labeled for air-cooled 2-cycle engine use. (JASO FC GRADE OIL or ISO EGC GRADE)
- Do not use BIA or TCW (2-stroke water-cooling type) mixed oil.



## ■ RECOMMENDED MIXING RATIO GASOLINE 50:OIL 1 (when using RedMax/ZENOAH genuine oil)

### 50:1 MIXING CHART

GASOLINE gal.	1	2	3	4	5
2-CYCLE OIL fl.oz	2.6	5.2	7.8	10.4	13

GASOLINE liter	1	2	3	4	5
2-CYCLE OIL ml	20	40	60	80	100

- Exhaust emission are controlled by the fundamental engine parameters and components (eq., carburation, ignition timing and port timing) without addition of any major hardware or the introduction of an inert material during combustion.
- These engines are certified to operate on unleaded gasoline.
- Make sure to use gasoline with a minimum octane number of 89 RON (USA/Canada: 87AL)
- If you use a gasoline of a lower octane value than prescribed, there is a danger that the engine temperature may rise and an engine problem such as piston seizing may consequently occur.
- Unleaded gasoline is recommended to reduce the contamination of the air for the sake of your health and the environment.
- Poor quality gasolines or oils may damage sealing rings, fuel lines or fuel tank of the engine.

## ■ HOW TO MIX FUEL

### IMPORTANT

Pay attention to agitation.

- Measure out the quantities of gasoline and oil to be mixed.
- Put some of the gasoline into a clean, approved fuel container.
- Pour in all of the oil and agitate well.

# Fuel

---

4. Pour In the rest of gasoline and agitate again for at least one minute. As some oils may be difficult to agitate depending on oil ingredients, sufficient agitation is necessary for the engine to last long. Be careful that, if the agitation is insufficient, there is an increased danger of early piston seizing due to abnormally lean mixture.
5. Put a clear indication on the outside of the container to avoid mixing up with gasoline or other containers.
6. Indicate the contents on outside of container for easy identification.

## ■ FUELING THE UNIT

1. Untwist and remove the fuel cap. Rest the cap on a dustless place.
2. Put fuel into the fuel tank to 80% of the full capacity.
3. Fasten the fuel cap securely and wipe up any fuel spillage around the unit.

## WARNING

1. **Select bare ground for fueling.**
2. **Move at least 10feet (3meters) away from the fueling point before starting the engine.**
3. **Stop the engine before refueling the unit. At that time, be sure to sufficiently agitate the mixed gasoline in the container.**

## **FOR YOUR ENGINE LIFE, AVOID;**

1. **FUEL WITH NO OIL(RAW GASOLINE)** – It will cause severe damage to the internal engine parts very quickly.
2. **GASOHOL** – It can cause deterioration of rubber and/or plastic parts and disruption of engine lubrication.
3. **OIL FOR 4-CYCLE ENGINE USE** – It can cause spark plug fouling, exhaust port blocking, or piston ring sticking.
4. **Mixed fuels which have been left unused for a period of one month or more** may clog the carburetor and result

- in the engine failing to operate properly.
5. In the case of storing the product for a long period of time, clean the fuel tank after rendering it empty. Next, activate the engine and empty the carburetor of the composite fuel.
6. In the case of scrapping the used mixed oil container, scrap it only at an authorized repository site.

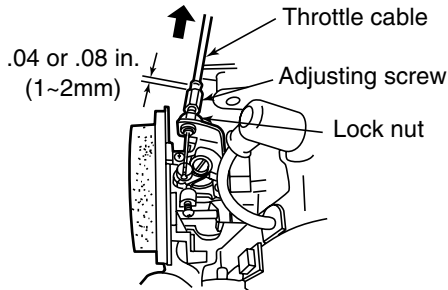
## NOTE

As lot details of quality assurance, read the description in the section Limited Warranty carefully. Moreover, normal wear and change in product with no functional influence are not covered by the warranty. Also, be careful that, if the usage in the instruction manual is not observed as to the mixed gasoline, etc. described therein, it may not be covered by the warranty.

# Operation

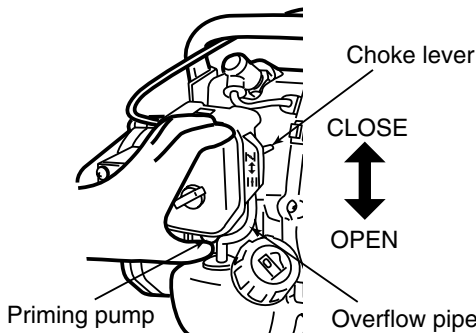
## ■ THROTTLE CABLE ADJUSTMENT

Check the throttle cable play and adjust to .04 or .08 in. (1~2mm) at the carburetor side.

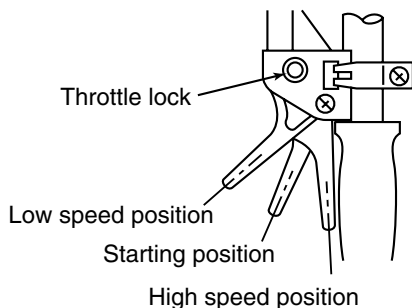


## ■ STARTING ENGINE

1. When first starting up after putting fuel into the machine, or when re-starting after running out of fuel, push the priming pump until fuel runs out the overflow pipe.

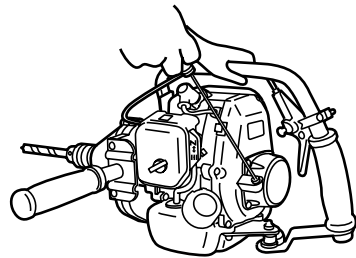


2. Close the choke (push the choke lever front ward).
3. While pulling the throttle lever, push in the throttle lock and set the throttle lever to the starting position.



## NOTE

- The throttle lock makes starting easier. Always use it when starting the engine.
5. While firmly holding the auger as illustrated, vigorously pull the starter rope.



6. When engine has ignited first, open the choke (move the choke lever backward), pull the starter rope again and the engine will start.

## ⚠ WARNING

- Keep the drill clear of everything around it as they will start moving with the engine start.
7. Pull the throttle lever slightly, and it will be unlocked automatically.
  8. Allow the engine to warm up for a couple of minutes before starting operation.

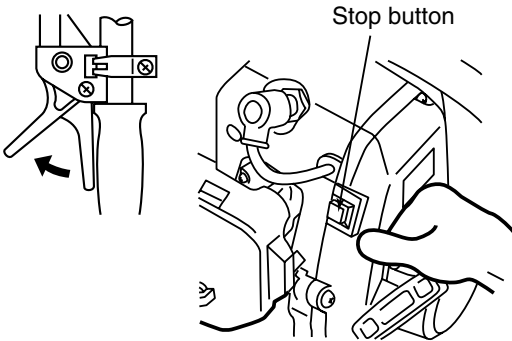
## NOTE

- When re-starting immediately after stopping engine, keep the choke open.
- If the engine won't start even after repeated attempts, it may be overfed with fuel. Remove and dry the spark plug, and try to start again with the choke open.

# Operation

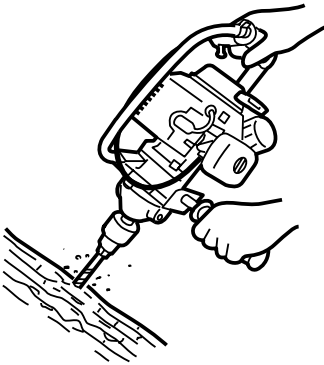
## ■ STOPPING ENGINE

- Release the throttle lever and press on the red button until the engine comes to a complete stop.



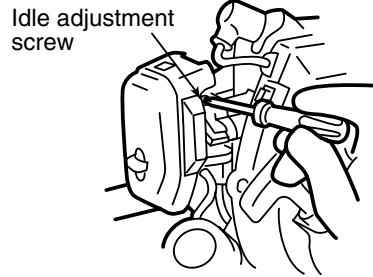
## ■ BORING OPERATION

- Keep the engine running at full throttle during operation.
- Keep the drill going straight. Tilted boring can cause the drill to bend.
- Avoid touching the spark plug lead during operation.



## ■ ADJUSTMENT OF IDLING SPEED

- The engine idling speed is preadjusted at the factory so that the engine keeps running without moving the drill when releasing the throttle lever to the idling position. However, due to changes in engine conditions, it may be necessary to adjust the idling.
- To increase idling, screw idle adjustment screw in, until preferred speed is obtained. To decrease idling, unscrew idle adjustment screw until preferred speed is obtained.



# Maintenance

Maintenance, replacement, or repair of the emission control device and systems may be performed by any non-road engine repair establishment or individual.

## ■ MAINTENANCE CHART

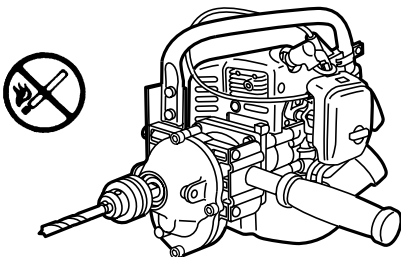
system/component	procedure	before use	every 25 hours after	every 50 hours after	every 100 hours after	note
fuel leaks, fuel spillage	wipe out	✓				
fuel tank, air filter, fuel filter	inspect/clean	✓	✓			replace, if necessary
idle adjusting screw	see ■ADJUSTING IDLING SPEED (p.13)	✓				replace carburetor if necessary
spark plug	clean and readjust plug gap			✓		GAP: .025in(0.6~0.7mm) replace, if necessary
cylinder fins, intake air cooling vent	clean		✓			
muffler, spark arrester, cylinder exhaust port	clean				✓	
throttle lever, ignition switch	check operation	✓				
screws/nuts/bolts	tighten/replace	✓			✓	not adjusting screws

### ⚠ WARNING

- Before cleaning, inspecting or repairing your unit, make sure that engine has stopped and is cool. Disconnect the spark plug terminal to avoid accidental engine starts.

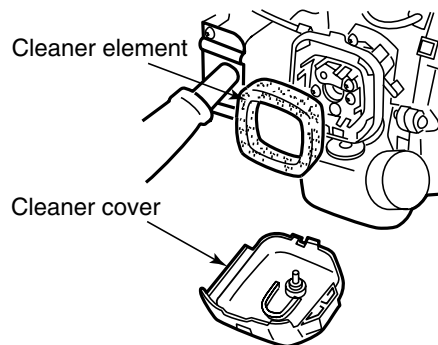
### ■ DAILY INSPECTION

- Remove grass or dust, from the entire body.
- Check that all nuts and screws are securely tightened, and no parts are missing.
- Check for leakage of fuel.



### ■ INSPECTION EVERY 25 HOURS

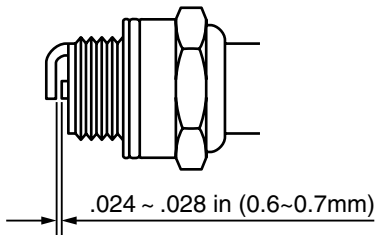
- Remove the air cleaner element from the carburetor air intake cover and wash in warm, soapy water. Dry completely before installing.



# Maintenance

---

- Check and clean the spark plug. Adjust the electrode gap to .024~.028in (0.6~0.7mm) if necessary.



**Replacement plug: NGK BPMR7A**

## ■ INSPECTION EVERY 100 HOURS

- The muffler is equipped with a spark arrester to prevent red hot carbon from flying out of the exhaust outlet. In the State of California it is required by law (Section 4442 of the California Public Resources Code) to equip a spark arrester when a gas powered tool is used in any forest covered, brush covered, or grass covered unimproved land.



- Check and tighten each fastener.
- Dismount the engine and check the clutch system to see if oil is observed between the clutch lining and its drum. If any, wipe it off with gasoline.

## ***Storage***

---

### **■ BEFORE LONG-TERM STORAGE**

- Drain fuel tank and run engine out until all fuel in the carburetor is used up.
- Remove the spark plug and drop a spoonful 2 cycle oil into the cylinder. Crank the engine several times and replace the plug.  
Pull starter until compression is felt.
- Brush off dirt from the drill surface and apply rust protective oil.
- Store the machine in a dry, dust-free place.

## ***Disposal***

---

- When disposing your machine, fuel or oil for the machine, be sure to allow your local regulations.



## PORTABLE GAS DRILL

# EDG2300

**NOTE :**

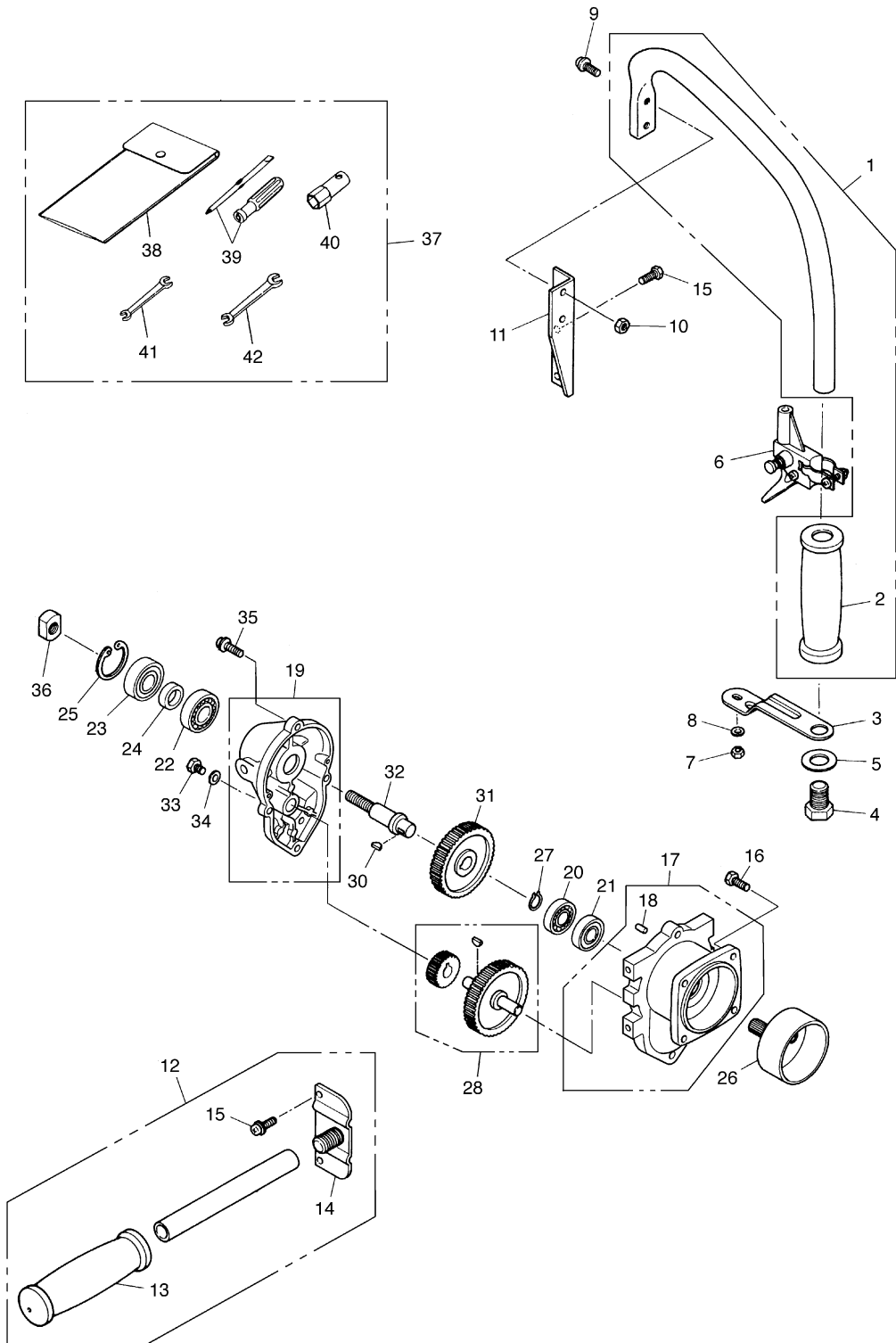
1. Use RedMax/ZENOAH genuine parts as specified in the parts list for repair and/or replacement.
2. RedMax/ZENOAH does not warrant the machines, which have been damaged by the use of any parts other than those specified by the company.
3. When placing parts orders for repair and/or replacement, check if the model name and the serial number are applicable to those specified in the parts list, then use parts number described in the parts list.
4. The contents described in the parts list may change due to improvement.
5. The parts for the machine shall be supplied seven (7) years after the machine is discontinued. [It is possible that some specific parts may be subject to change of their delivery term and list price within the limit of seven (7) years after the machine is discontinued. It is also possible that some parts may be available even after the limit of seven (7) years.]

June 2007

APPLICABLE SERIAL NUMBERS : 901112 and up

# Parts List : EDG2300

Fig.1 DRIVE UNIT and TOOLS (S/N 901112 and up)



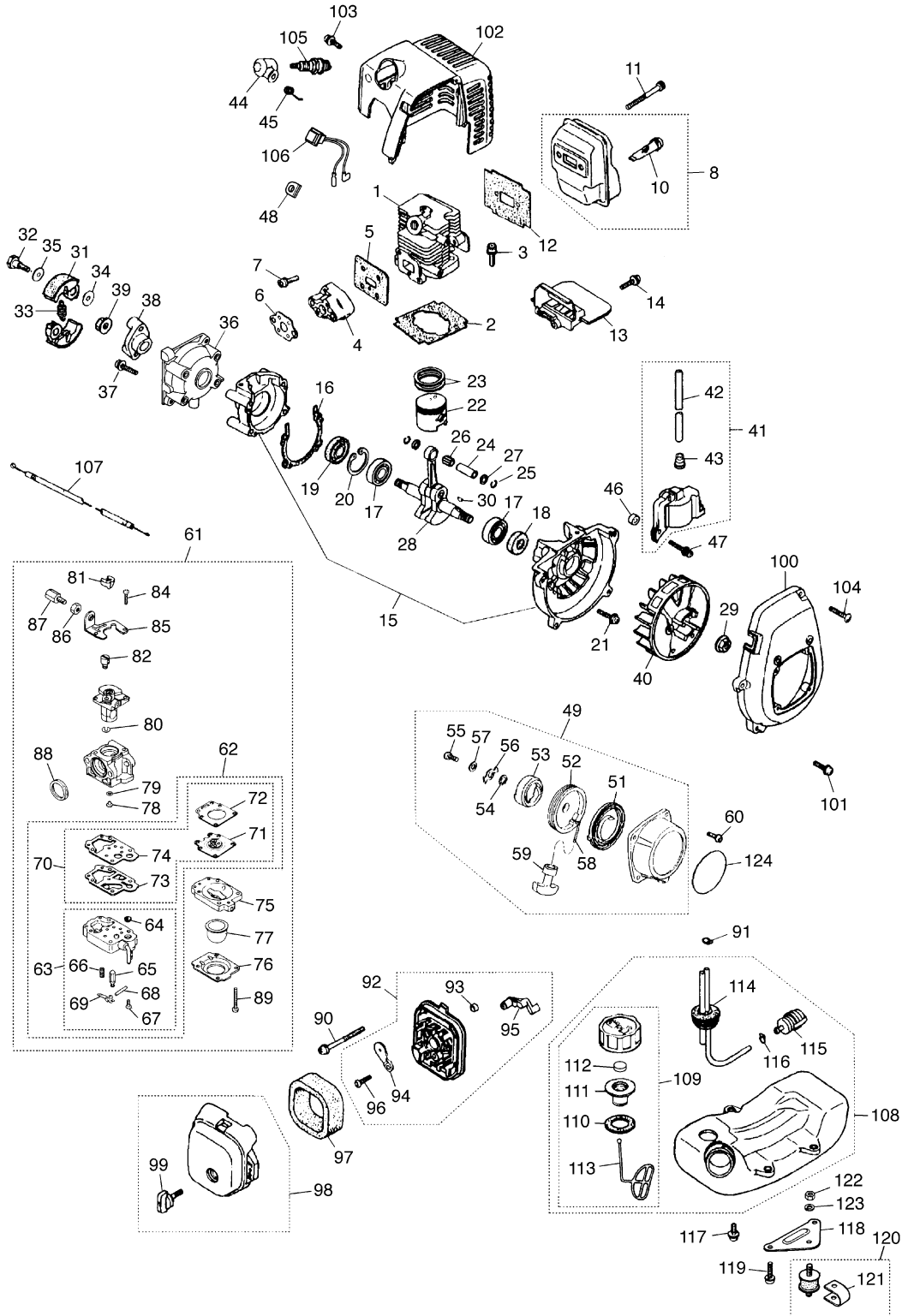
# EDG2300

**Fig.1 DRIVE UNIT and TOOLS** (S/N 901112 and up)

Key#	Part Number	Description	Q'ty	Key#	Part Number	Description	Q'ty
1	3871-21100	Right handle comp.	1				
2	3871-21120	• Grip	1				
3	3871-21320	Stay	1				
4	3545-14240	Bolt	1				
5	01641-21423	Washer	1				
6	3524-14400	Lever, Throttle	1				
7	0280-10504	Nut	1				
8	01601-20513	Washer	1				
9	0263-30516	Screw	2				
10	0280-10504	Nut	2				
11	3872-21510	Bracket, Right	1				
12	3871-21200	Left handle comp.	1				
13	3541-14221	• Grip	1				
14	3872-21520	Bracket, Left	1				
15	0225-30616	Bolt	4				
16	0225-10616	Bolt	4				
17	3890-11102	Case Comp., Rear half	1				
18	3890-11140	• Dowel pin	2				
19	3890-11201	Case comp., Front half	1				
20	06030-06001	Bearing	1				
21	06031-06001	Bearing (Single shield)	1				
22	06030-06202	Bearing	1				
23	06034-06202	Bearing (Double shield)	1				
24	3127-13230	Spacer	1				
25	04065-03515	Ring	1				
26	3890-12110	Clutch drum	1				
27	04064-01210	Ring	1				
28	3872-13101	Gear comp., Drive	1				
		• Gear, Idler	1				
		• Key	1				
30	04010-00310	Key	1				
31	3872-13140	Gear, Driven	1				
32	3890-13140	Shaft, PTO	1				
33	0224-00610	Bolt	1				
34	01641-20608	Washer	1				
35	3310-12281	Screw	4				
36	3872-13150	Nut	1				
37	3872-91000	Tool set	1				
38	3541-91110	• Bag	1				
39	1030-91340	• Screwdriver	1				
40	1110-91320	• Scket (Hex. 19mm)	1				
41	3540-91120	• Spanner (8mm x 10mm)	1				
42	3871-91350	• Spanner (17mm x 13mm)	1				

# Parts List : EDG2300

## Fig.2 ENGINE UNIT (S/N 901112 and up)



# EDG2300

**Fig.2 ENGINE UNIT (S/N 901112 and up)**

Key#	Part Number	Description	Q'ty	Key#	Part Number	Description	Q'ty
1	5602-12110	CYLINDER	1	64	—————	••• SCREEN	—
2	5500-12213	GASKET, base	1	65	—————	••• VALVE	—
3	1850-12130	BOLT M5x12	2	66	—————	••• SPRING	—
4	5500-13163	INSULATOR	1	67	—————	••• SCREW	—
5	5500-13121	GASKET, INSULATOR	1	68	—————	••• PIN	—
6	5500-13131	GASKET, CARB	1	69	—————	••• LEVER	—
7	0263-90520	SCREW M5x20	2	70	5602-06020	•• GASKET KIT	1
8	5602-15100	MUFFLER ASSY	1	71	—————	••• DIAPHRAGM ASSY	—
				72	—————	••• GASKET	—
10	1601-15120	• ARRESTER	1	73	—————	••• DIAPHRAGM	—
11	01252-30550	BOLT M5x55	2	74	—————	••• GASKET	—
12	5500-15210	GASKET, MUFFLER	1	75	1850-81490	• BODY	1
13	5600-15220	PLATE	1	76	1850-81520	• COVER	1
14	0263-90416	SCREW M4x16	1	77	1751-81510	• PUMP	1
15	5600-21100	CRANKCASE COMP.	1	78	5500-81251	• JET	1
16	5500-21141	GASKET	1	79	1751-81240	• O-RING	1
17	06030-06001	BEARING	2	80	1751-81130	• RING	1
18	2169-21210	SEAL	1	81	5500-81160	• WASHER	1
19	1850-21220	SEAL	1	82	1881-81140	• SWIVEL	1
20	04065-02812	RING	1				
21	01252-30530	BOLT M5x30	4	84	1752-81110	• SCREW	2
22	5600-41111	PISTON	1	85	5500-81120	• BRACKET	1
23	1100-41210	RING	2	86	1751-81180	• NUT	1
24	1101-41310	PIN	1	87	1918-81170	• SCREW	1
25	1260-41320	RING	2	88	1881-81130	• RING	1
26	5500-41410	BEARING	1	89	1850-81530	• SCREW	4
27	1101-41340	WASHER	2	90	0263-90560	SCREW M5x60	2
28	5600-42001	CRANKSHAFT COMP.	1	91	1950-86120	CLIP	1
29	1650-43230	NUT	1	92	5500-82102	BODY ASSY	1
30	1000-43240	KEY	1	93	1970-82190	• SLEEVE	2
31	1140-51111	SHOE	2	94	5500-82131	• PLATE	1
32	1140-51250	SCREW	2	95	5500-82140	• LEVER	1
33	1970-51221	SPRING	1	96	2630-33610	• SCREW	1
34	1140-51230	WASHER	2	97	5500-82171	ELEMENT	1
35	1970-51241	WASHER	2	98	5600-82203	COVER ASSY	1
36	1140-21162	CASE	1	99	5500-82221	• KNOB	1
37	0263-90516	SCREW M5x16	4	100	5600-31110	COVER	1
38	5600-52150	PLATE	1	101	0263-90520	SCREW M5x20	4
39	1650-43230	NUT	1	102	5600-32101	COVER	1
40	5601-71110	ROTOR	1	103	1850-32160	SCREW M4x12	1
41	5600-71200	COIL ASSY	1	104	1900-31410	SCREW	2
42	5600-71220	• CORD, HIGH	1	105	3699-90332	SPARKPLUG NGK BPMR7A	1
43	2616-71320	• CAP	1	106	5600-73210	SWITCH ASSY	1
44	5500-72110	CAP	1	107	5580-83100	CABLE COMP.	1
45	1900-72120	SPRING	1	108	5607-85002	TANK ASSY	1
46	1260-71261	SPACER	2	109	5607-85201	• CAP ASSY	1
47	3310-72150	BOLT M4x25	2	110	5500-85220	•• PACKING	1
48	5500-72130	GROMET	1	111	5601-85300	•• HOLDER ASSY	1
49	5990-75102	RECOIL ASSY	1	112	5601-85260	•• FILTER	1
				113	4820-85260	•• STOPPER	1
51	5990-75120	• SPRING	1	114	5500-85300	• PIPE COMP.	1
52	5990-75131	• REEL	1	115	5500-85400	• FILTER ASSY	1
53	5990-75141	• RATCHET	1	116	1260-85460	• CLIP	1
54	5990-75151	• SPRING	1	117	5500-85510	SCREW M5x16	1
55	5990-75270	• SCREW	1	118	5635-87112	PLATE	1
56	5990-75160	• RETAINER	1	119	0263-90520	SCREW M5x20	2
57	5990-75170	• WASHER	1	120	1757-87200	JOINT	1
58	1861-75180	• ROPE	1	121	1757-87220	• BAND	1
59	1490-75181	• KNOB	1	122	0280-10504	NUT M5	1
60	0263-90412	SCREW M4x16	4	123	01601-20513	WASHER	1
61	5501-81000	CARBURETOR ASSY	1	124	5636-91122	LABEL, RECOIL	1
62	5602-06030	• REBUILT KIT	1				
63	1850-81450	•• BODY ASSY	1				

## LIMITED WARRANTY

**EMISSION-RELATED PARTS**, FOR TWO (2) YEARS FROM THE DATE OF ORIGINAL DELIVERY OF THE UNIT, RedMax / ZENOAH AMERICA, INC., THROUGH ANY RedMax DEALER, WILL REPAIR OR REPLACE, FREE OF CHARGE, FOR THE ORIGINAL AND EACH SUBSEQUENT PURCHASER, ANY PART OR PARTS FOUND TO BE DEFECTIVE IN MATERIAL AND/OR WORKMANSHIP.  
EMISSION-RELATED PARTS ARE:

**THE CARBURETOR ASSEMBLY, COIL ASSEMBLY, ROTOR, SPARKPLUG,  
AIR FILTER, FUEL FILTER, INTAKE MANIFOLD, AND THE GASKETS**

**ALL OTHER PARTS EXCEPT ABOVE PARTS**, FOR TWO (2) YEARS OF USE, 90 DAYS FOR RENTAL USE, FROM THE DATE OF ORIGINAL PURCHASE, THE COMPANY, THROUGH ANY RedMax DEALER, WILL REPAIR OR REPLACE, FREE OF CHARGE, FOR THE ORIGINAL PURCHASER, ANY PART OF PARTS FOUND TO BE DEFECTIVE IN MATERIAL AND/OR WORKMANSHIP. **THIS IS THE EXCLUSIVE REMEDY.**

THE PURCHASER SHALL BEAR COSTS OF TRANSPORTING THE UNIT TO AND FROM THE RedMax DEALER.

THE PURCHASER SHALL NOT BE CHARGED FOR DIAGNOSTIC LABOR WHICH LEADS TO THE DETERMINATION THAT A WARRANTED PART IS DEFECTIVE, IF THE DIAGNOSTIC WORK IS PERFORMED AT THE RedMax DEALER.

THE PURCHASER OR OWNER IS RESPONSIBLE FOR THE PERFORMANCE OF THE REQUIRED MAINTENANCE AS DEFINED BY THE MANUFACTURER IN THE OWNER/OPERATOR MANUAL.

ANY WARRANTED PART WHICH IS NOT SCHEDULED FOR REPLACEMENT AS REQUIRED MAINTENANCE, OR WHICH IS SCHEDULED ONLY FOR REGULAR INSPECTION TO THE EFFECT OF "REPAIR OR REPLACE AS NECESSARY" SHALL BE WARRANTED FOR THE WARRANTY PERIOD. ANY WARRANTED PART WHICH IS SCHEDULED FOR REPLACEMENT AS REQUIRED MAINTENANCE SHALL BE WARRANTED FOR THE PERIOD OF TIME UP TO THE FIRST SCHEDULED REPLACEMENT POINT FOR THE PART.

ANY REPLACEMENT PART THAT IS EQUIVALENT IN PERFORMANCE AND DURABILITY MAY BE USED IN NON-WARRANTY MAINTENANCE OR REPAIRS, AND SHALL NOT REDUCE THE WARRANTY OBLIGATION OF THE COMPANY.

THE COMPANY IS LIABLE FOR DAMAGES TO OTHER ENGINE COMPONENTS CAUSED BY THE FAILURE OF A WARRANTED PART STILL UNDER WARRANTY.

**THE WARRANTY DOES NOT APPLY TO** THOSE UNITS WHICH HAVE BEEN DAMAGED BY NEGLIGENCE OF INSTRUCTION LISTED IN THE OWNER/OPERATOR MANUAL FOR PROPER USE AND MAINTENANCE OF THE UNITS, ACCIDENTAL MISHANDLING, ALTERATION, ABUSE, IMPROPER LUBRICATION, USE OF ANY PARTS OR ACCESSORIES OTHER THAN THOSE SPECIFIED BY THE COMPANY, OR OTHER CAUSES BEYOND THE COMPANY'S CONTROL.

**THIS WARRANTY DOES NOT COVER** THOSE PARTS REPLACED BY NORMAL WEAR OR HARMLESS CHANGES IN THEIR APPEARANCE.

**THERE ARE NO OTHER EXPRESS WARRANTIES.**

**IMPLIED WARRANTIES** INCLUDING THOSE OF MERCHANTABILITY AND FITNESS FOR A PARTICULAR PURPOSE **ARE LIMITED** TO TWO (2) YEARS OF USE FROM THE ORIGINAL DELIVERY DATE.

**LIABILITIES FOR INCIDENTAL OR CONSEQUENTIAL DAMAGE UNDER ANY AND ALL WARRANTIES ARE EXCLUDED.**

SOME STATES DO NOT ALLOW LIMITATION ON HOW LONG AN IMPLIED WARRANTY LASTS OR EXCLUSION OR LIMITATION OF INCIDENTAL OR CONSEQUENTIAL DAMAGES, SO THE ABOVE LIMITATION OR EXCLUSION MAY NOT APPLY TO YOU.

THIS WARRANTY GIVES YOU SPECIFIC LEGAL RIGHTS, AND YOU MAY ALSO HAVE OTHER RIGHTS WHICH VARY FROM STATE TO STATE.

IF YOU NEED TO OBTAIN INFORMATION ABOUT THE NEAREST SERVICE CENTER, PLEASE CALL RedMax / ZENOAH AMERICA, INC. AT (770)-381-5147.

**IMPORTANT:** YOU WILL RECEIVE A WARRANTY REGISTRATION CARD AT TIME OF PURCHASE. PLEASE FILL OUT THE CARD AND SEND IT TO RedMax / ZENOAH AMERICA WITHIN SEVEN (7) DAYS. BE SURE TO KEEP A COPY FOR YOUR RECORDS.



**RedMax**®

**ZENOAH AMERICA, INC.**  
1100 Laval Blvd. Suite 110  
Lawrenceville, Georgia 30043

## Garantie limitée

**Pièces en rapport avec les émissions de gaz d'échappement :** RedMax / ZENOAH AMERICA, INC., par l'intermédiaire de n'importe quel revendeur RedMax, réparera gratuitement ou remplacera gratuitement pour l'acheteur initial et chaque acheteur successif toute(s) pièce(s) se révélant de constitution et/ou de montage défectueux pendant deux (2) ans à compter de la date initiale de livraison d'une unité.

Les pièces en rapport avec les émissions de gaz d'échappement sont:

**l'assemblage carburateur, l'assemblage bobine, le rotor, la bougie,  
le filtre à air, le filtre à carburant, la tubulure d'admission et les joints**

**Toutes les pièces autres que celles mentionnées ci-dessus**, deux (2) ans d'utilisation, 90 jours pour la location, à compter de la date d'achat initial. La société, par l'intermédiaire d'un distributeur RedMax, réparera ou remplacera toute(s) pièce(s), sans frais et au bénéfice de l'acheteur original, en prenant en charge les frais de pièces et/ou de main d'œuvre. **Telles sont les limites de la garantie.**

Le coût du transport de l'unité jusqu'au revendeur RedMax et depuis celui-ci sera à la charge de l'acheteur.

L'acheteur ne supportera pas le coût de main d'œuvre du diagnostic qui amène à la conclusion qu'une pièce garantie est défectueuse, si ce diagnostic est effectué chez le revendeur RedMax.

L'acheteur ou propriétaire a pour responsabilité d'effectuer l'entretien obligatoire tel que défini par le fabricant dans le manuel du propriétaire/de l'utilisateur.

Toute pièce garantie dont le remplacement n'est pas prévu dans le cadre de l'entretien obligatoire, ou pour laquelle est seulement prévue une inspection périodique pour "remplacement ou réparation si nécessaire" sera garantie pour la période de garantie. Toute pièce garantie arrivée à l'échéance de son premier remplacement prévu sera garantie jusqu'à celui-ci.

Toute pièce de rechange équivalente en performance ou en durabilité peut être utilisée pour l'entretien hors-garantie ou les réparations hors-garantie, et ce sans réduire l'obligation de garantie incombant à la société.

La société sera tenue responsable des dommages aux autres composants du moteur causés par la défaillance de pièce(s) garantie(s) en période de garantie.

**La garantie ne s'applique pas** aux unités endommagées par suite de: négligence dans la mise en oeuvre des instructions spécifiées dans le manuel du propriétaire/de l'utilisateur en vue d'une utilisation et d'un entretien correct, fausse manœuvre accidentelle, modification, utilisation abusive, lubrification incorrecte, utilisation de pièces ou d'accessoires autres que ceux spécifiés par la société, ou autres causes hors du contrôle de la société.

**Cette garantie ne couvre pas** les pièces remplacées en raison de leur usure normale ou de changements d'apparence sans effets.

**Il n'existe aucune autre garantie explicite.**

**Les garanties implicites**, y compris la valeur marchande et la valeur d'usage pour une utilisation particulière, **sont limitées** à deux (2) ans d'utilisation à compter de la date originale de livraison.

**Les responsabilités pour les dommages conséquents ou incidents sont exclues de toutes les garanties.**

Certaines provinces n'autorisant pas les limitations à la durée des garanties implicites, ou les exclusions ou limitations relatives aux dommages incidents ou conséquents, la limitation indiquée ci-dessus peut ne pas vous être applicable.

Cette garantie vous donne des droits juridiques spécifiques, et vous pouvez également jouir d'autres droits variant d'une province à l'autre.

Si vous désirez obtenir des informations sur le centre de service le plus proche, veuillez appeler RedMax / ZENOAH AMERICA, INC. au (770)-381-5147

**Note importante:** vous recevrez une carte d'enregistrement de garantie au moment de l'achat. Veuillez la remplir et l'adresser à RedMax / ZENOAH AMERICA sous sept (7) jours en prenant soin de conserver une copie pour vous.





**ZENOAH AMERICA, INC.**  
1100 Laval Blvd. Suite 110  
Lawrenceville, Georgia 30043