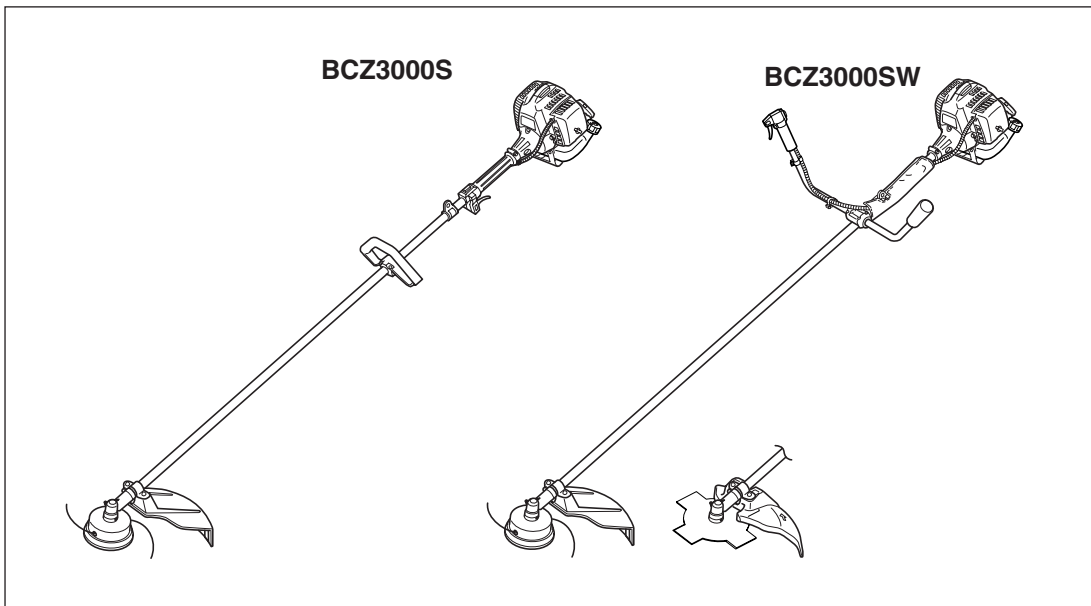




ILLUSTRATED PARTS LIST

BRUSHCUTTERS

BCZ3000S
BCZ3000SW



WARNING



The engine exhaust from this product contains chemicals known to the State of California to cause cancer, birth defects or other reproductive harm.



WARNING



Before using our brushcutters, please read this manual carefully to understand the proper use of your unit.

APPLICABLE SERIAL NUMBERS :

DRIVE UNIT 300001 and up

ENGINE UNIT 300001 and up

12. Parts list

BRUSHCUTTERS

BCZ3000S
BCZ3000SW

NOTE :

1. Use KOMATSU ZENOAH genuine parts as specified in the parts list for repair and/or replacement.
2. KOMATSU ZENOAH does not warrant the machines, which have been damaged by the use of any parts other than those specified by the company.
3. When placing parts orders for repair and/or replacement, check if the model name and the serial number are applicable to those specified in the parts list, then use parts number described in the parts list.
4. The contents described in the parts list may change due to improvement.
5. The parts for the machine shall be supplied seven (7) years after the machine is discontinued. [It is possible that some specific parts may be subject to change of their delivery term and list price within the limit of seven (7) years after the machine is discontinued. It is also possible that some parts may be available even after the limit of seven (7) years.]

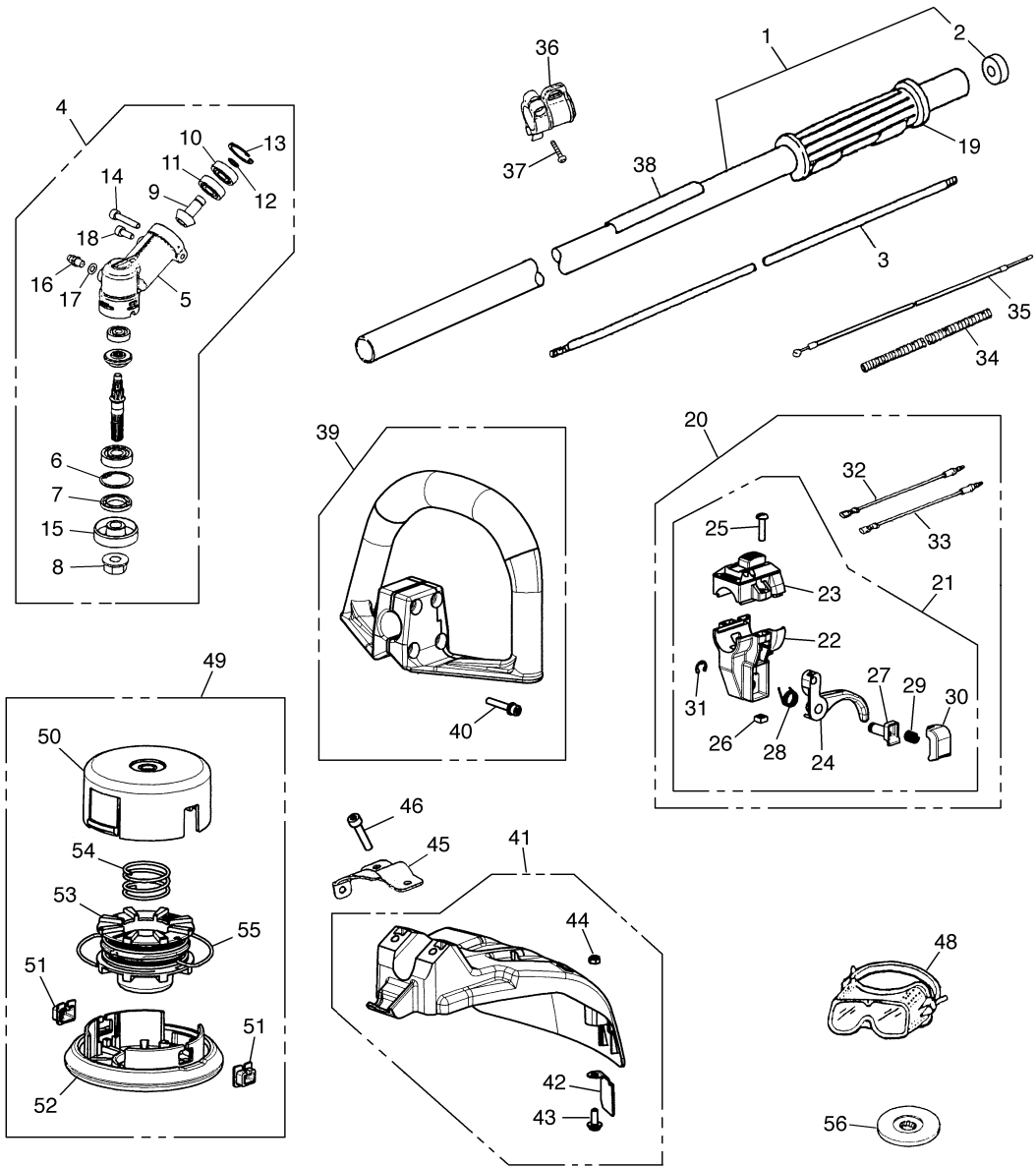
November 2003

APPLICABLE SERIAL NUMBERS :

DRIVE UNIT 300001 and up ENGINE UNIT 300001 and up

12. Parts list

Fig.1 DRIVE UNIT BCZ3000S (S/N 30001 and up)



Optional Blade & Accessories

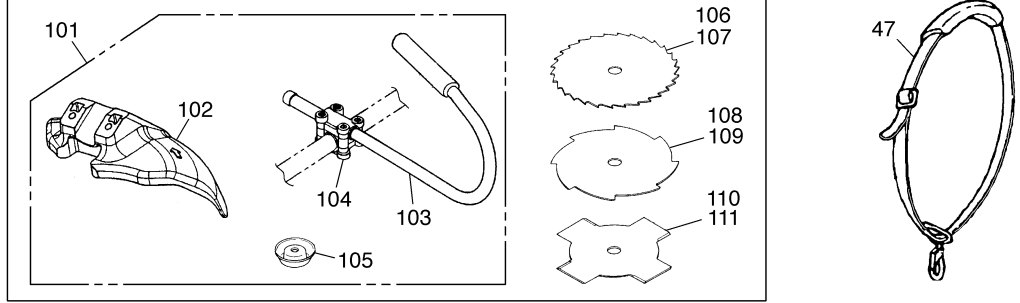


Fig.1 DRIVE UNIT BCZ3000S (S/N 30001 and up)

Key#	Part Number	Description	Q'ty	Key#	Part Number	Description	Q'ty
1	T3108-12100	PIPE-C	1	51	T3189-15191	• EYELET	2
2	T3400-12130	• SEAL	1	52	T3189-15132	• COVER	1
3	3520-12213	SHAFT	1	53	T3189-15142	• CORD HOLDER	1
4	848-JC0-6100	GEARCASE-A	1	54	T3189-15160	• SPRING	1
5	6440-13122	• GEARCASE	1	55	T3189-15180	• CORD	1
6	04065-02612	• SNAP RING	1	56	6019-13250	HOLDER (B)	1
7	3565-13130	• SEAL	1				
8	T3002-13260	• NUT	1				
9	848-JC0-61D0	• PINION	1				
10	T3300-13531	• BEARING	1				
11	T3403- 13530	• BEARING (0600000609)	1				
12	T3300-13330	• SNAP RING	1				
13	04065-02412	• RING (0243224120)	1				
14	T4950-52500	• BOLT TORX, 5x25	1				
15	6440-13242	• HOLDER (A)	1				
16	3199-13350	• FITTI (2087061640)	1				
17	01641-20608	• WASHER	1				
18	T4950-51200	• BOLT TORX, 5x12	1				
19	3577-32141	GRIP	1				
20	T3002-12202	LEVER-C	1				
21	6110-14412	• LEVER	1				
22	6110-14410-01	•• STAY (E50135620010)	1				
23	6110-14410-02	•• COVER	1				
24	T3002-12202-03	•• LEVER (E52135623511)	1				
25	6110-14410-04	•• SCREW	2	101	BC00A20	BLADE KIT (PRODUCT)	
26	6110-14410-05	•• NUT	2	102	T3246-24110	• GUARD	1
27	6110-14410-06	•• SHAFT	1	103	6367-14200	• J-HANDLE	1
28	6110-14410-07	•• SPRING	1	104	3583-14101	• BRACKET	1
29	6110-14410-08	•• SPRING	1	105	3540-13283	• COVER	1
30	T3032-14410-09	•• BUTTON	1	106	SST229	9" 22-tooth	1
31	6110-14410-10	•• E-RING	1	107	SST249	9" 24-tooth	1
32	T3002-12220	• CORD (A)	1	108	SGB088	8" 8-tooth	1
33	T3002-12230	• CORD (B)	1	109	SGB089	9" 8-tooth	1
34	T3002-12240	TUBE	1	110	SGB048	8" 4-tooth	1
35	T3002-83100	CABLE-C	1	111	SGB049	9" 4-tooth	1
36	T3300-17202	HANGER-C	1				
37	848-805-2000	SCREW TORX, 5x20	1				
38	848-JC0-90R1	NAME PLATE	1				
39	T3195-14002	HANDLE-A	1				
40	T4960-53030	• SCREW TORX, 5x30	4				
41	848-JC0-6610	GUARD-C	1				
42	T3002-24121	• BLADE	1				
43	T4960-51431	• SCREW TORX, 5x14	1				
44	3320-15310	• NUT	1				
45	848-JC0-66C1	BRACKET	1				
46	T4950-63000	BOLT TORX, 6x30	2				
47	848-B50-3610	STRAP-A	1				
48	T3002-91190	GOGGLE	1				
49	PT104 Plus	TAP HEAD-C	1				
50	T3189-15112	• CASE	1				

12. Parts list

Fig.2 DRIVE UNIT BCZ3000SW (S/N 30001 and up)

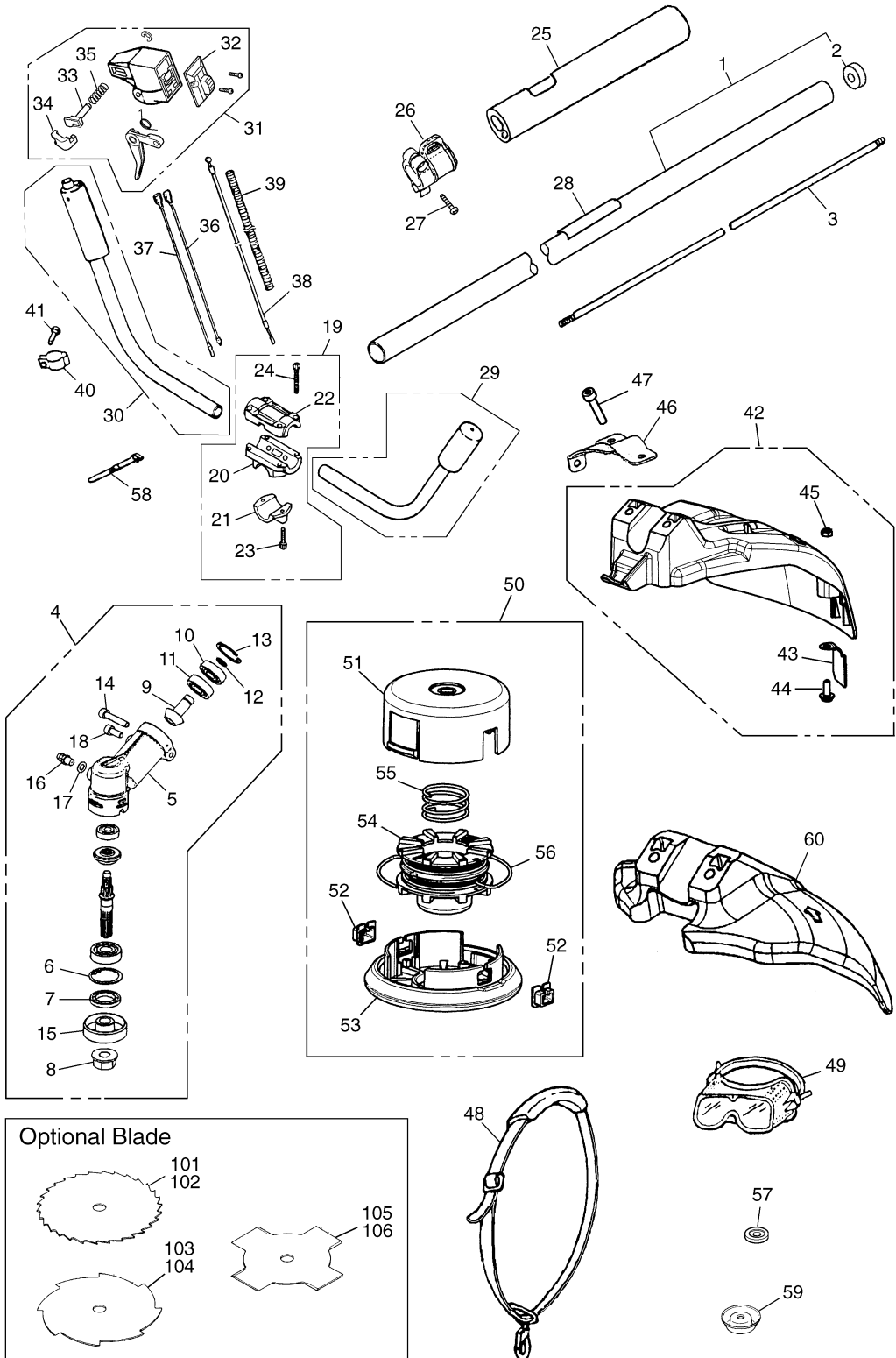


Fig.2 DRIVE UNIT BCZ3000SW (S/N 30001 and up)

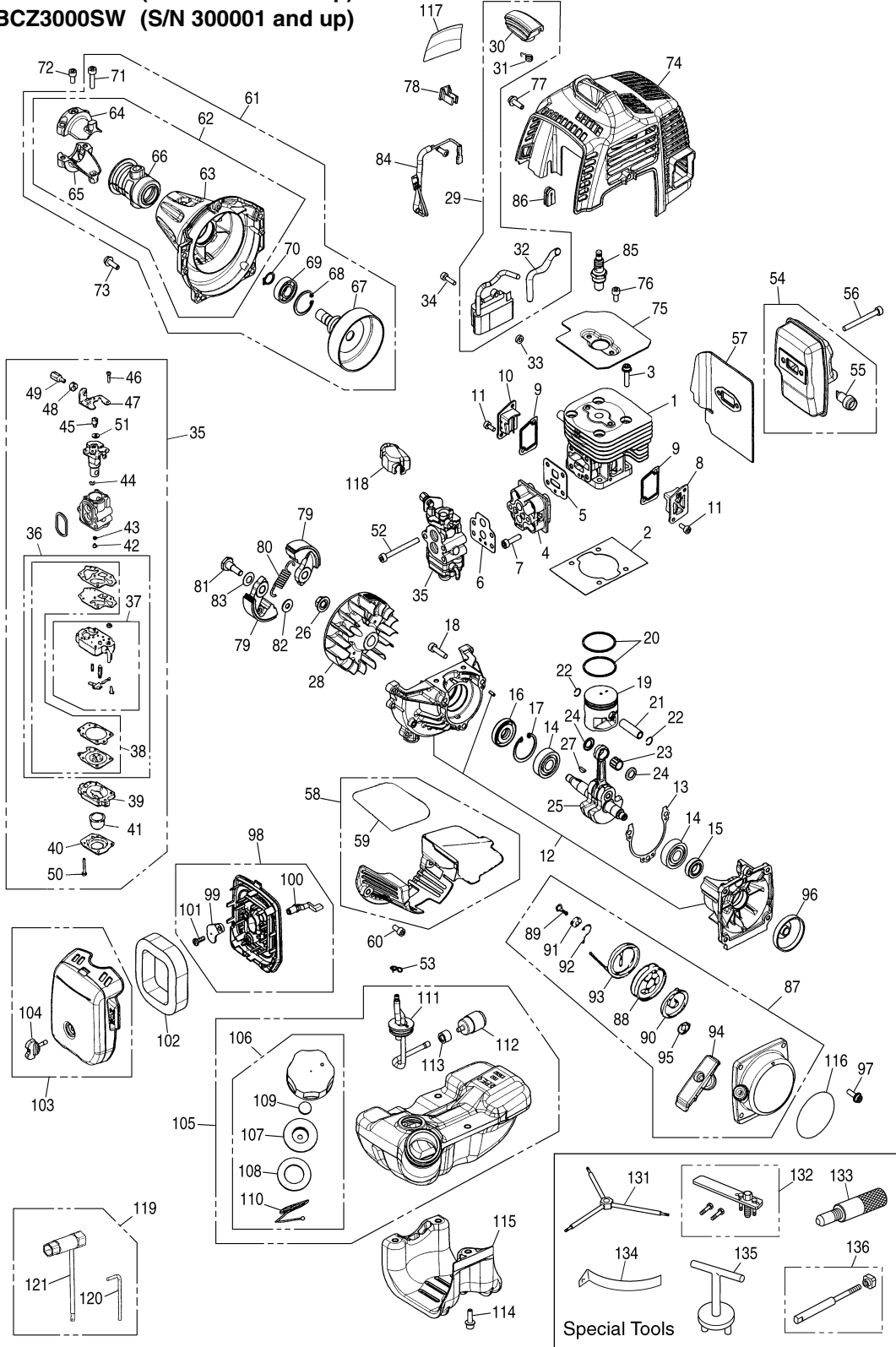
Key#	Part Number	Description	Q'ty	Key#	Part Number	Description	Q'ty
1	T3108-12100	PIPE-C	1	51	T3189-15112	• CASE	1
2	T3400-12130	• SEAL	1	52	T3189-15191	• EYELET	2
3	3520-12213	SHAFT	1	53	T3189-15132	• COVER	1
4	848-JC0-6100	GEARCASE-A	1	54	T3189-15142	• CORD HOLDER	1
5	6440-13122	• GEARCASE	1	55	T3189-15160	• SPRING	1
6	04065-02612	• SNAP RING	1	56	T3189-15180	• CORD	1
7	3565-13130	• SEAL	1	57	6019-13250	HOLDER (B)	1
8	T3002-13260	• NUT	1	58	3540-93120	BAND	1
9	848-JC0-61D0	• PINION	1	59	3540-13283	COVER	1
10	T3300-13531	• BEARING	1	60	T3246-24110	GUARD	1
11	T3403-13530	• BEARING (0600000609)	1				
12	T3300-13330	• SNAP RING	1				
13	04065-02412	• RING (0243224120)	1				
14	T4950-52500	• BOLT TORX, 5x25	1				
15	6440-13242	• HOLDER (A)	1				
16	3199-13350	• FITTI (2087061640)	1				
17	01641-20608	• WASHER	1				
18	T4950-51200	• BOLT TORX, 5x12	1				
19	848-JC1-3230	BRACKET-A	1	101	SST229	9" 22-tooth	1
20	3583-14111	• BRACKET	1	102	SST249	9" 24-tooth	1
21	3583-14121	• CAP (L)	1	103	SGB088	8" 8-tooth	1
22	3257-14192	• CAP (U)	1	104	SGB089	9" 8-tooth	1
23	4820-13180	• BOLT	2	105	SGB048	8" 4-tooth	1
24	T4950-52500	• BOLT	4	106	SGB049	9" 4-tooth	1
25	T3310-17111	PROTECTOR	1				
26	T3300-17202	HANGER-C	1				
27	848-805-2000	SCREW TORX, 5x20	1				
28	848-JC1-90R1	NAME PLATE	1				
29	T3040-14200	HANDLE (L)-C	1				
30	T3002-95400	HANDLE (R)-C	1				
31	6234-14601	LEVER-A	1				
32	6234-14601-02	• COVER (E54135700811)	1				
33	6110-14410-06	• SHAFT	1				
34	6110-14410-09	• BUTTON	1				
35	6110-14410-08	• SPRING	1				
36	T3002-95710	CORD (A), black	1				
37	T3002-95720	CORD (B), red	1				
38	T3040-83100	CABLE-C	1				
39	5512-73220	TUBE	1				
40	3260-14251	CLAMP	1				
41	0260-00516	SCREW	1				
42	848-JC0-6610	GUARD-C	1				
43	T3002-24121	• BLADE	1				
44	T4960-51431	• SCREW TORX, 5x14	1				
45	3320-15310	• NUT	1				
46	848-JC0-66C1	BRACKET	1				
47	T4950-63000	BOLT TORX, 6x30	2				
48	848-B50-3610	STRAP-A	1				
49	T3002-91190	GOGGLE	1				
50	PT104 Plus	TAP HEAD-C	1				

12. Parts list

Fig.3 ENGINE UNIT

BCZ3000S (S/N 30001 and up)

BCZ3000SW (S/N 30001 and up)



BCZ3000S (S/N 30001 and up)

Fig.3 ENGINE UNIT BCZ3000SW (S/N 30001 and up)

Key#	Part Number	Description	Q'ty	Key#	Part Number	Description	Q'ty	
1	848-F60-12A1	CYLINDER	1	67	T1590-31120	• DRUM	1	
2	T1590-12210	GASKET, base	1	68	04065-02812	• SNAP RING	1	
3	4820-12130	BOLT TORX	4	69	T1701-31150	• BEARING	1	
4	848-F60-14A1	INSULATOR	1	70	04064-01210	• SNAP RING	1	
5	T1590-13120	GASKET, insu	1	71	4820-13180	• BOLT TORX	2	
6	T1590-13130	GASKET, carb	1	72	4820-12350	BOLT TORX	1	
7	T4950-52021	BOLT TORX	4	73	4820-85510	BOLT TORX	4	
8	848-F60-12C1	COVER, trs	1	74	848-F60-31A1	COVER, engine	1	
9	848-F60-12E1	GASKET, tr	2	75	848-F60-12G1	PLATE, cyl	1	
10	848-F60-12D2	COVER, trf	1	76	4820-12350	BOLT TORX	2	
11	4820-16310	BOLT TORX	4	77	4820-32120	BOLT TORX	2	
12	848-F60-2111	CRANKCASE-C	1	78	T1600-72210	CLAMP	1	
13	848-F60-21D1	GASKET, case	1	79	T1590-51110	SHOE	2	
14	848-89C-3200	BEARING	2	80	848-8E9-3700	SPRING	1	
15	4810-21210	SEAL	1	81	1140-51250	SCREW	2	
16	1650-21220	SEAL	1	82	1140-51230	WASHER	2	
17	04065-03212	SNAP RING	2	83	848-872-8000	WASHER, wave	2	
18	4820-13180	BOLT TORX	3	84	T1551-73200	CORD-C	1	
19	848-F60-41A1	PISTON	1	85	T2070-73110	SPARK PLUG	1	
20	T1590-41210	RING	2	86	4810-72120	GROMMET	1	
21	T2200-41310	PIN	1	87	T1551-75100	RECOIL-A	1	
22	3310-41320	SNAP RING	2	88	4500-75120	• REEL	1	
23	3310-41410	BEARING	1	89	4500-75150	• SCREW	1	
24	1650-41510	WASHER	2	90	1850-75130	• SPRING	1	
25	848-F60-4201	CRANKSHAFT-C	1	91	4500-75180	• COLLAR	1	
26	1650-43230	NUT	1	92	4500-75190	• ARM	1	
27	1000-43240	KEY	1	93	4810-75160	• ROPE	1	
28	T1700-71110	ROTOR	1	94	3330-75421	• KNOB	1	
29	T1590-71200	COIL-A	1	95	4810-75170	• PLATE	1	
30	4810-72111	• CAP	1	96	4500-75210	PULLEY	1	
31	T1108-72120	• SPRING	1	97	4820-32120	BOLT TORX	4	
32	2850-71320	• TUBE	1	98	T1551-82100	BODY-A	1	
33	1260-71261	SPACER	2	99	T1512-82130	• PLATE, choke	1	
34	4820-72150	BOLT TORX	2	100	T1600-82140	• LEVER	1	
35	848-F60-8101	CARBURETOR-A	1	101	T1108-82190	• SCREW	1	
36	848-F60-0630	• REBUILD KIT	1	102	T1551-82170	ELEMENT	1	
37	1850-81450	•• BODY-A	1	103	T1551-82200	COVER-A	1	
38	4810-06021	•• GASKET KIT	1	104	T1108-82220	• KNOB	1	
39	1850-81490	• BODY, purge	1	105	848-F60-8501	TANK-A	1	
40	1850-81520	• COVER, pump	1	106	T1015-85202	• CAP-A	1	
41	1751-81510	• PUMP, priming	1	107	4500-85300	•• HOLDER-A	1	
42	4810-81251	• JET	1	108	4500-85220	•• PACKING	1	
43	1751-81240	• O-RING	1	109	5601-85260	•• FILTER	1	
44	1751-81130	• RING	1	110	4820-85260	•• STOPPER	1	
45	1881-81140	• SWIVEL	1	111	848-F60-8530	• PIPE-C	1	
46	1752-81110	• SCREW	2	112	3302-85400	• FILTER-A	1	
47	5500-81120	• BRACKET	1	113	2841-31280	• COLLAR	1	
48	1751-81180	• NUT, adjuster	1	114	T4950-52030	BOLT TORX	3	
49	1918-81170	• SCREW, adjuster	1	115	848-F60-8520	GUARD, tank	1	
50	1850-81530	• SCREW	4	116	848-F60-90C0	LABEL, recoil	1	
51	5500-81160	• WASHER	1	117	848-F60-90B0	LABEL	1	
52	4820-15310	BOLT TORX	2	118	4500-81910	COVER	1	
53	1950-86120	CLIP	1	119	T1551-91000	TOOL SET	1	
54	4810-15100	MUFFLER-A	1	120	3540-91110	• BAR	1	
55	4810-15140	• ARRESTER	1	121	T4017-91130	• SOCKET	1	
56	4820-15310	BOLT TORX	2					
57	848-F60-15C0	GASKET, muff	1					
58	848-F60-1530	PLATE-A	1					
59	848-F60-15F0	• SHEET	1					
60	4820-12350	BOLT TORX	2	131	2850-96410	HEXAGON WRENCH	1	
61	848-F60-5301	HOUSING-A	1	132	2890-96100	PULLER-A	1	
62	T1590-31100	• HOUSING-C	1	133	4810-96220	STOPPER	1	
63	T1590-31110	•• HOUSING	1	134	3350-96240	GAUGE	1	
64	T1700-31212	•• BRACKET (A)	1	135	4500-96100	PULLER	1	
65	T1700-31221	•• BRACKET (B)	1	136	848-8W1-0000	ROD-A	1	
66	T1700-31232	•• CUSHION	1					
				SPECIAL TOOLS				