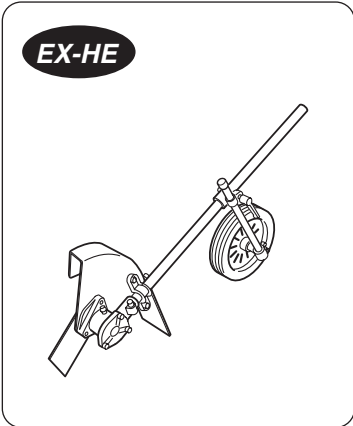
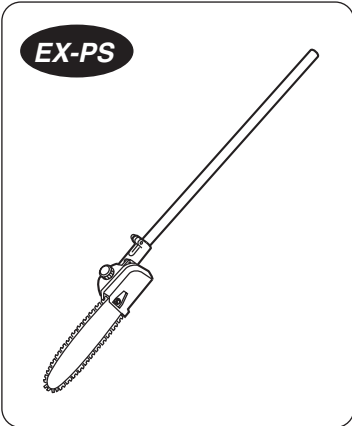
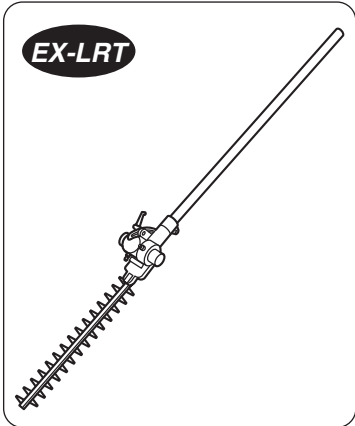
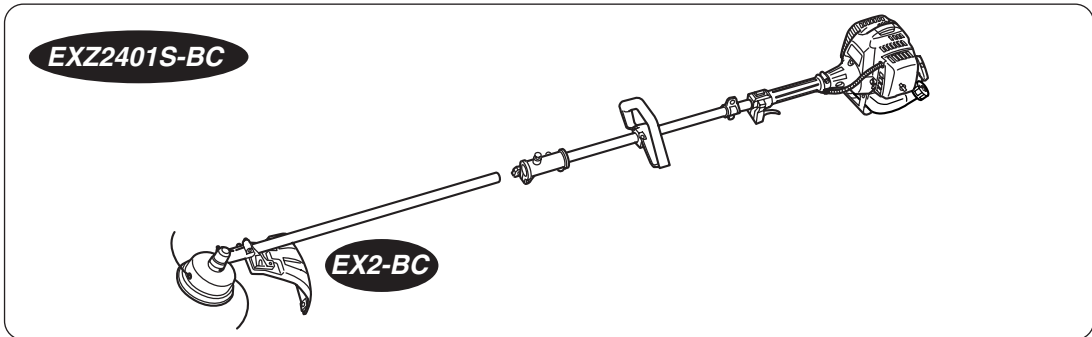




ILLUSTRATED PARTS LIST

Extreme™



⚠ WARNING ⚠
 The engine exhaust from this product contains chemicals known to the State of California to cause cancer, birth defects or other reproductive harm.

⚠ WARNING ⚠
 Before using our products, please read this manual carefully to understand the proper use of your unit.

APPLICABLE SERIAL NUMBERS :

EXZ-PU	60300000	and up	
EX2-BC	50200000	and up	
EX-LRT	000531	and up	
EX-PS	000000	and up	
EX-HE	000101	and up	
	ENGINE UNIT	60100000	and up

12. Parts list

EXtreme™

EXZ2401S-BC

EXZ-PU
EX2-BC
ENGINE

EX-LRT (ATT)

EX-PS (ATT)

EX-HE (ATT)

NOTE :

1. Use KOMATSU ZENOAH genuine parts as specified in the parts list for repair and/or replacement.
2. KOMATSU ZENOAH does not warrant the machines, which have been damaged by the use of any parts other than those specified by the company.
3. When placing parts orders for repair and/or replacement, check if the model name and the serial number are applicable to those specified in the parts list, then use parts number described in the parts list.
4. The contents described in the parts list may change due to improvement.
5. The parts for the machine shall be supplied seven (7) years after the machine is discontinued. [It is possible that some specific parts may be subject to change of their delivery term and list price within the limit of seven (7) years after the machine is discontinued. It is also possible that some parts may be available even after the limit of seven (7) years.]

APPLICABLE SERIAL NUMBERS :

Mar. 2006

EXZ-PU	60300000	and up	
EX2-BC	50200000	and up	
EX-LRT	000531	and up	ENGINE UNIT 60100000 and up
EX-PS	000000	and up	
EX-HE	000101	and up	

12. Parts list

Fig.1 EXZ-PU (S/N 60300000 and up)

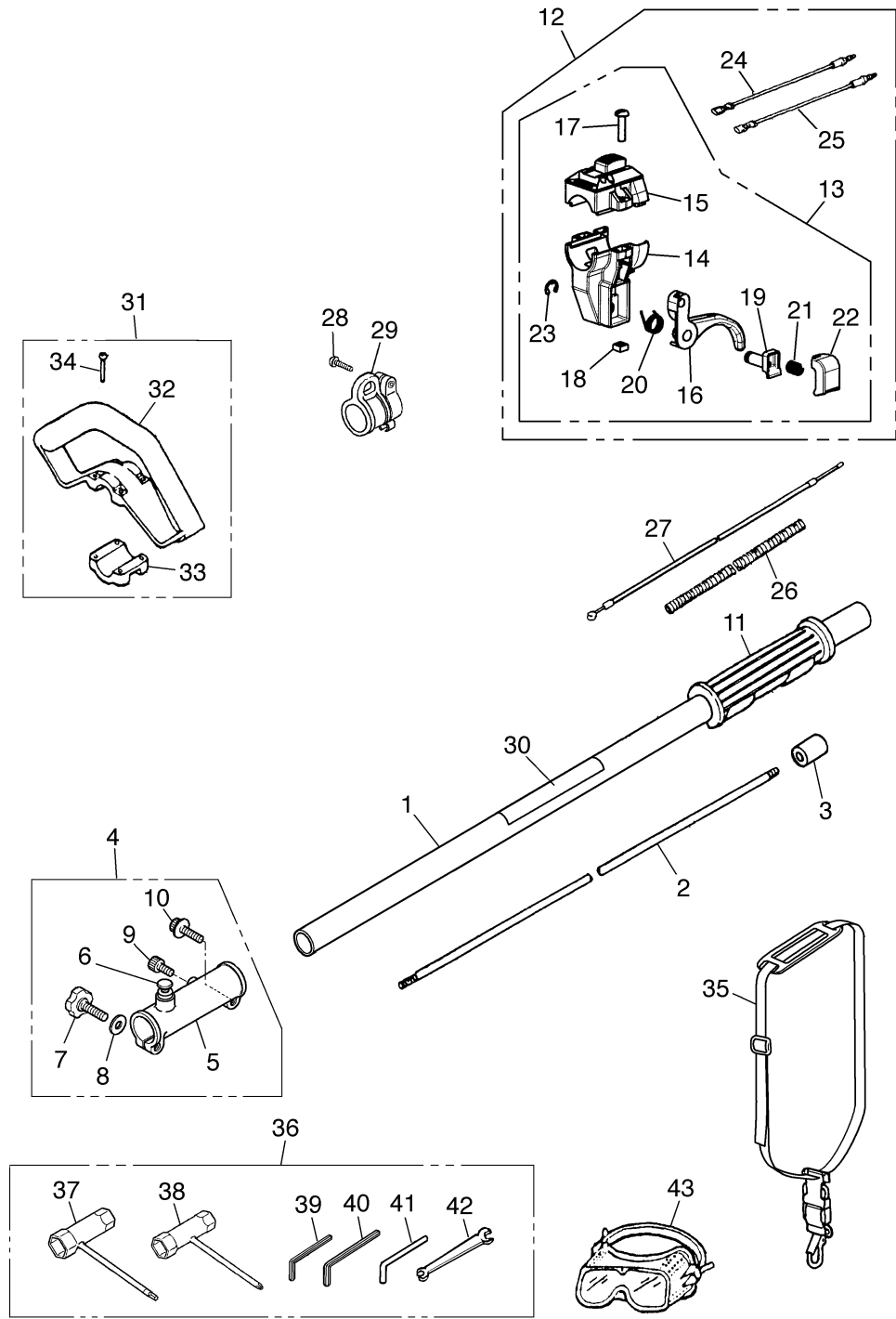


Fig.1 EXZ-PU (S/N 60300000 and up)

Key#	Description	Part Number	Q'ty	Key#	Description	Part Number	Q'ty
1	PIPE COMP., ϕ 24x750	848-J8P-5820	1				
2	SHAFT, 786x7	T3075-12210	1				
3	SPACER	6036-12250	1				
4	JOINT, PIPE-ASS'Y	T3087-12400	1				
5	• JOINT	T3087-12410	1				
6	• STOPPER	T3087-12600	1				
7	• KNOBBOLT	6036-12420	1				
8	• WASHER	01643-30823	1				
9	• BOLT	01252-30510	1				
10	• BOLT	3540-13260	1				
11	GRIP	848-J80-32H2	1				
12	LEVER COMP.	848-8R2-0344	1				
13	• LEVER	848-8R2-0314	1				
14	•• STAY	6110-14410-01	1				
15	•• COVER	848-8RA-0340	1				
16	•• LEVER	T3002-12202-03	1				
17	•• SCREW	6110-14410-04	2				
18	•• NUT	6110-14410-05	2				
19	•• SHAFT	6110-14410-06	1				
20	•• SPRING	6110-14410-07	1				
21	•• SPRING	6110-14410-08	1				
22	•• BUTTON	T3032-14410-09	1				
23	•• E-RING	6110-14410-10	1				
24	• CORD (A) black	T3002-12220	1				
25	• CORD (B) red	T3002-12230	1				
26	TUBE	T3002-12240	1				
27	CABLE	T3002-83100	1				
28	HANGER COMP.	T3300-17202	1				
29	SCREW	0263-90520	1				
30	PLATE-NAME	848-J8P-90R0	1				
31	HANDLE ASSY	6420-14100	1				
32	• HANDLE	6420-14311	1				
33	• CLAMP	6420-14320	1				
34	• SCREW	0263-90535	4				
35	STRAP ASSY	T3300-17100	1				
36	TOOL-SET	848-8U0-0110	1				
37	• SOCKET, 16x17xt27	848-8U1-0040	1				
38	• SOCKET, 13x16	T3039-91310	1				
39	• WRENCH	09007-00425	1				
40	• WRENCH	09007-00528	1				
41	• BAR	3540-91110	1				
42	• SPANNER	3540-91120	1				
43	GOGGLE	T3002-91190	1				

12. Parts list

Fig.2 EX2-BC (S/N 5020000 and up)

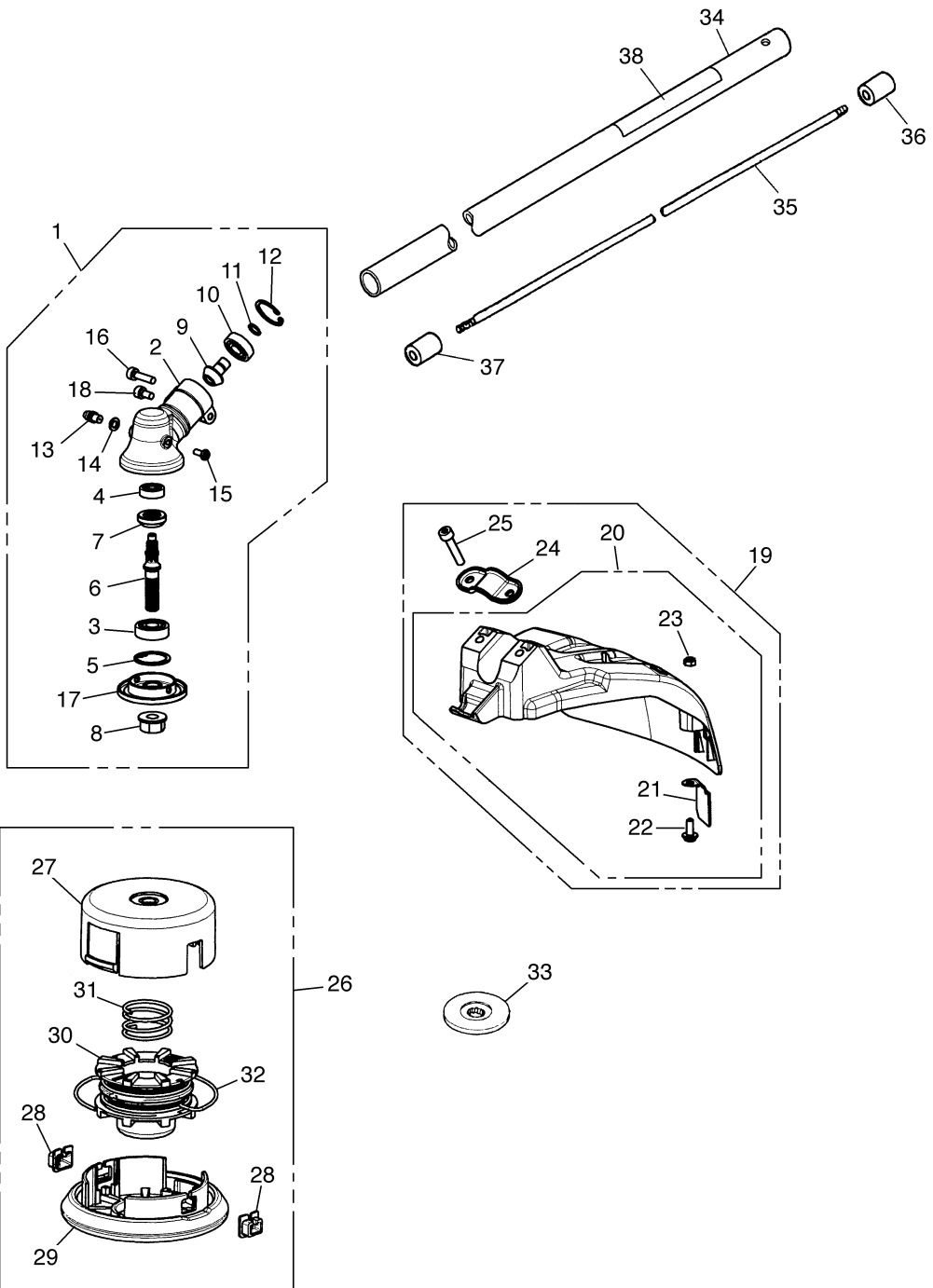


Fig.2 EX2-BC (S/N 5020000 and up)

Key#	Description	Part Number	Q'ty	Key#	Description	Part Number	Q'ty
1	GEARCASE ASSY	T3195-31001	1				
2	• GEARCASE	848-B20-62A0	1				
3	• BEARING	06004-06000	1				
4	• BEARING	06000-00626	1				
5	• RING	04065-02612	1				
6	• SHAFT	T3195-13210	1				
7	• GEAR	T3300-93250	1				
8	• NUT	T3002-13260	1				
9	• PINION	T3195-13310	1				
10	• BEARING	06001-00609	1				
11	• RING	3210-13330	1				
12	• RING	04065-02412	1				
13	• FITTING	3199-13350	1				
14	• WASHER	01641-20608	1				
15	• BOLT	0225-00410	1				
16	• BOLT TORX	4820-13180	1				
17	• HOLDER (A)	T3300-91340	1				
18	• BOLT TORX	4820-12350	1				
19	GUARD ASSY	T3195-24003	1				
20	• GUARD COMP.	T3195-24103	1				
21	•• BLADE	T3002-24121	1				
22	•• SCREW TORX	T4960-51431	1				
23	•• NUT	3320-15310	1				
24	• CLAMP	3520-24120	1				
25	• BOLT TORX	T4950-63000	2				
26	TAP HEAD COMP.	PT104 Plus	1				
27	• CASE	T3189-15112	1				
28	• EYELET	T3189-15191	2				
29	• COVER	T3189-15132	1				
30	• CORD HOLDER	T3189-15142	1				
31	• SPRING	T3189-15160	1				
32	• CORD	T3189-15180	1				
33	HOLDER (B)	6019-13250	1				
34	PIPE COMP., \varnothing 24x750	T3102-12100	1				
35	SHAFT, 755x7	T3102-12210	1				
36	SHAFT-JOINT	6036-12241	1				
37	SPACER	6036-12250	1				
38	PLATE-NAME	848-J8R-90R0	1				

12. Parts list

Fig.3 ENGINE UNIT (6010000 and up)

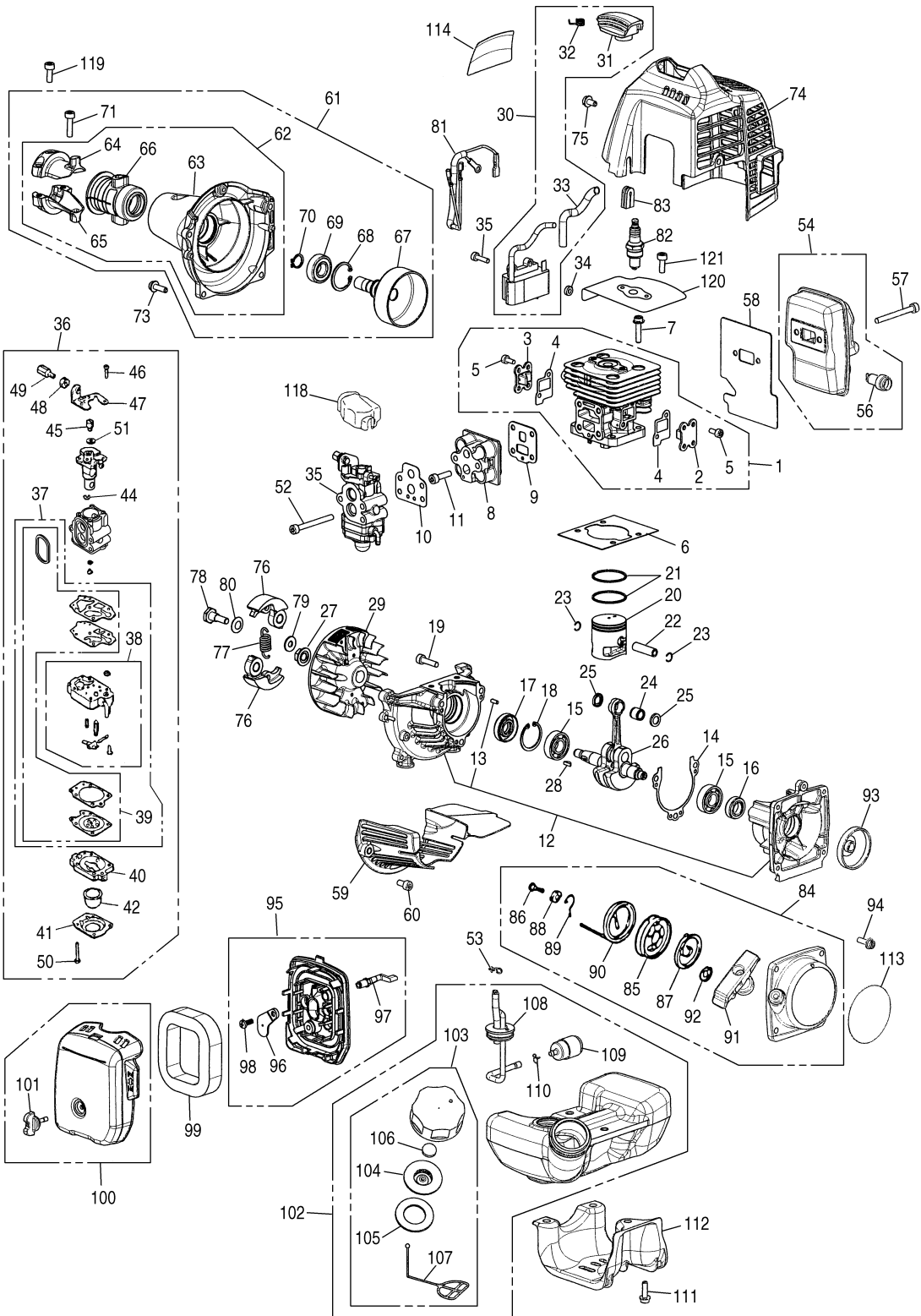


Fig.3 ENGINE UNIT (6010000 and up)

Key#	Description	Part Number	Q'ty	Key#	Description	Part Number	Q'ty
1	CYLINDER COMP.	848-F08-1210	1	61	HOUSING ASSY	848-F00-5301	1
2	• COVER, TR-S	848-F08-12C0	1	62	• HOUSING COMP.	T1551-31100	1
3	• COVER, TR-F	848-F08-12D0	1	63	•• HOUSING	T1551-31110	1
4	• GASKET, TR	848-F08-12E0	2	64	•• BRACKET(A)	T1700-31212	1
5	• BOLT	4820-16310	4	65	•• BRACKET (B)	T1700-31221	1
6	GASKET, base	T1551-12211	1	66	•• CUSHION	T1700-31232	1
7	BOLT TORX	4820-12130	4	67	• DRUM	848-F30-51A1	1
8	INSULATOR	848-F08-14A0	1	68	• RING	04065-02812	1
9	GASKET, insu	848-F08-14B0	1	69	• BEARING	T1701-31150	1
10	GASKET, carb	848-F08-14C0	1	70	• SNAP RING	04064-01210	1
11	BOLT TORX	T4950-52001	4	71	• BOLT TORX	4820-13180	2
12	CRANKCASE COMP.	T1551-21101	1	73	BOLT TORX	4820-85510	4
13	• PIN	2629-21130	3	74	COVER, engine	848-F08-31A1	1
14	GASKET, case	T1551-21141	1	75	BOLT TORX	848-815-1002	2
15	BEARING	06030-06001	2	76	SHOE	T1551-51111	2
16	SEAL	4810-21210	1	77	SPRING	4820-51220	1
17	SEAL	1850-21220	1	78	SCREW	1140-51250	2
18	RING	04065-02812	1	79	WASHER	1140-51230	2
19	BOLT TORX	4820-13180	3	80	WASHER	1140-51242	2
20	PISTON	848-F08-41A2	1	81	CORD COMP.	T1551-73200	1
21	RING	848-8C3-4101	2	82	SPARKPLUG (Champion RZ7C)	3699-91809	1
22	PIN	1600-41310	1	83	GROMET	4810-72120	1
23	RING	1260-41320	2	84	RECOIL ASSY	T1551-75100	1
24	BEARING	T1551-41410	1	85	• REEL	4500-75120	1
25	WASHER	1101-41340	2	86	• SCREW	4500-75150	1
26	CRANKSHAFT COMP.	848-F08-4201	1	87	• SPRING	1850-75130	1
27	NUT	1650-43230	1	88	• COLLAR	4500-75180	1
28	KEY	1000-43240	1	89	• ARM	4500-75190	1
29	ROTOR	4810-71110	1	90	• ROPE	4810-75160	1
30	COIL ASSY	848-F08-7131	1	91	• KNOB	3330-75421	1
31	• CAP	4810-72111	1	92	• PLATE	4810-75170	1
32	• SPRING	848-F08-71G0	1	93	PULIEY	4500-75210	1
33	• TUBE	848-8MX-0700	1	94	BOLT TORX	4820-32120	4
34	SPACER	1260-71261	2	95	BODY ASSY	848-F00-8310	1
35	BOLT TORX	4820-72150	2	96	• PLATE, choke	T1512-82130	1
36	CARBURETOR ASSY	848-F08-8101	1	97	• LEVER	T1600-82140	1
37	• REBUILD KIT	848-F60-0630	1	98	• SCREW	T1108-82190	1
38	•• BODY ASSY	1850-81450	1	99	ELEMENT	T1551-82170	1
39	•• GASKET KIT	4810-06021	1	100	COVER ASSY	848-F62-8320	1
40	• BODY	1850-81490	1	101	• KNOB	T1108-82220	1
41	• COVER	1850-81520	1	102	TANK ASSY	848-F00-8500	1
42	• PUMP	1751-81510	1	103	• CAP ASSY	T1015-85202	1
44	• RING	1751-81130	1	104	•• HOLDER ASSY	4500-85300	1
45	• SWIVEL	1881-81140	1	105	•• PACKING	4500-85220	1
46	• SCREW	1752-81110	2	106	•• FILTER	5601-85260	1
47	• BRACKET	5500-81120	1	107	•• STOPPER	4820-85260	1
48	• NUT	1751-81180	1	108	• PIPE COMP.	T1551-85300	1
49	• SCREW	1918-81170	1	109	• FILTER	3302-85400	1
50	• SCREW	1850-81530	4	110	• CLIP	1260-85460	1
51	• WASHER	5500-81160	1	111	BOLT TORX	4820-85510	3
52	BOLT TORX	4820-15310	2	112	GUARD, tank	T1551-31910	1
53	CLIP	1950-86120	1	113	LABEL, recoil	T1551-75410	1
54	MUFFLER ASSY	848-F08-1510	1	114	LABEL, cover	T1551-31130	1
56	• ARRESTER	4810-15140	1	118	COVER	4500-81910	1
57	BOLT TORX	4820-15310	2	119	BOLT	4820-12350	1
58	GASKET, muff	848-F08-15C1	1	120	PLATE	848-F08-12G0	1
59	PLATE	848-F00-15D1	1	121	BOLT	4820-12350	2
60	BOLT TORX	4820-12350	2				

12. Parts list

Fig.4 EX-LRT (S/N 000531 and up)

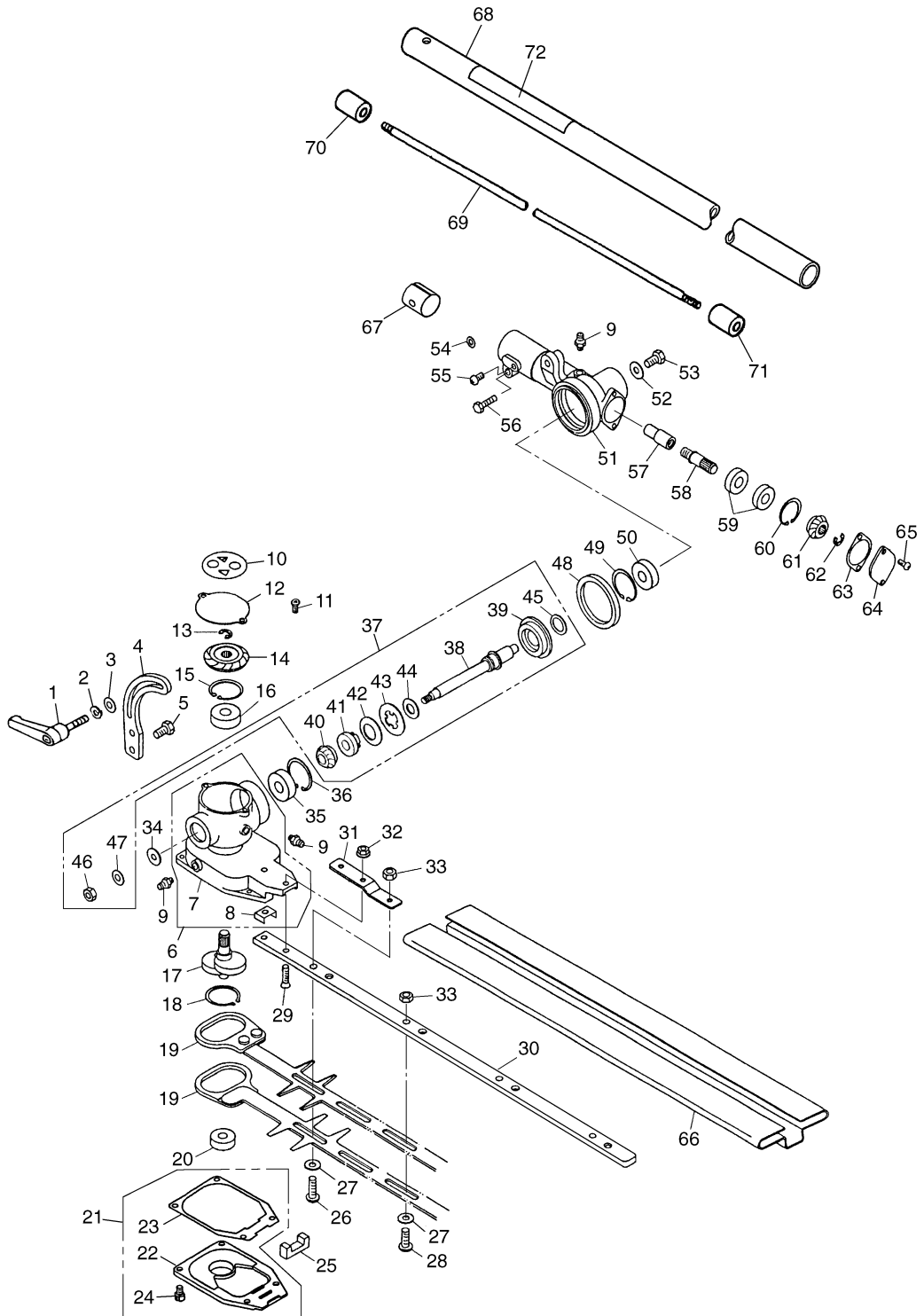


Fig.4 EX-LRT (S/N 000531 and up)

Key#	Description	Part Number	Q'ty	Key#	Description	Part Number	Q'ty
1	LEVER, clamp	6598-13110	1	53	BOLT M6x12	0225-10612	1
2	WASHER M6	0290-20615	1	54	WASHER 5x10x1.0	6782-13720	1
3	WASHER 6x15x2.0	6782-13650	1	55	BOLT M5x10	848-A20-61D0	1
4	ANGLE ADJUSTER	6782-13141	1	56	BOLT M5x30	3350-21320	1
5	BOLT M6x12	0225-10612	2	57	JOINT	6782-13810	1
6	CASING A SET	6782-13200	1	58	GEAR SHAFT B	6598-13820	1
7	• CASING A	_____	1	59	BEARING 6900RS	6782-13830	2
8	• PLATE	6782-13220	1	60	SNAP RING	04065-02212	1
9	GREASE FITTING	3199-13350	3	61	BEVEL GEAR	6782-13850	1
10	LABEL	6782-13250	1	62	SNAP RING	6598-13330	1
11	SCREW M4x8	0263-10408	2	63	PACKING	6598-13860	1
12	COVER	6598-13320	1	64	COVER	6598-13871	1
13	SNAP RING	6598-13330	1	65	SCREW M4x8	0263-10410	2
14	BEBEL GEAR	6782-13340	1	66	BLADE COVER	6782-13910	1
15	SNAP RING	04065-02612	1	67	SPACER	848-A20-61Z1	1
16	BEARING	06004-06000	1	68	PIPE COMP., ø24x750	T3102-12100	1
17	CRANK SHAFT	6782-13370	1	69	SHAFT, 755x7	T3102-12210	1
18	SNAP RING	04064-02815	1	70	SHAFT-JOINT	6036-12241	1
19	BLADE	6782-13411	2	71	SPACER	6036-12250	1
20	BEARING 608Z	6782-13430	1	72	PLATE-NAME	848-A2H-90R3	1
21	COVER SET	6782-06010	1				
22	• COVER	6782-13441	1				
23	• GASKET	6782-13470	1				
24	• BOLT, M4x12	848-A2R-B1C0	4				
25	FELT	6782-13460	1				
26	SCREW	3884-11750-10	1				
27	WASHER	3880-11780	4				
28	SCREW L17	6598-13510	3				
29	SCREW M5x20	6598-13530	2				
30	GUIDE PLATE	6782-13540	1				
31	PLATE	6782-13550	1				
32	NUT M5	6782-14470	2				
33	NUT M6	3880-11790	4				
34	WASHER 6x15x2.0	6782-13650	1				
35	BEARING 608 2RS	6598-13430	1				
36	SNAP RING	04065-02212	1				
37	SHAFT KIT	T4008-06010	1				
38	•• SHAFT	_____	1				
39	•• GEAR(B)	_____	1				
40	•• GEAR(C)	T4008-13630	1				
41	•• BOSS	_____	1				
42	•• SPRING	T4008-13650	1				
43	•• PLATE	T4008-13660	1				
44	•• WASHER	T4008-13670	1				
45	•• WASHER	T4008-13680	1				
46	• NUT M6	0280-10605	1				
47	• WASHER	0290-20615	1				
48	O-RING P41	6598-13620	1				
49	SNAP RING	04065-02612	1				
50	BEARING	06004-06000	1				
51	CASING B	6782-13710	1				
52	WASHER 6x15x2.0	6782-13650	1				

12. Parts list

Fig.5 EX-PS (S/N 000000 and up)

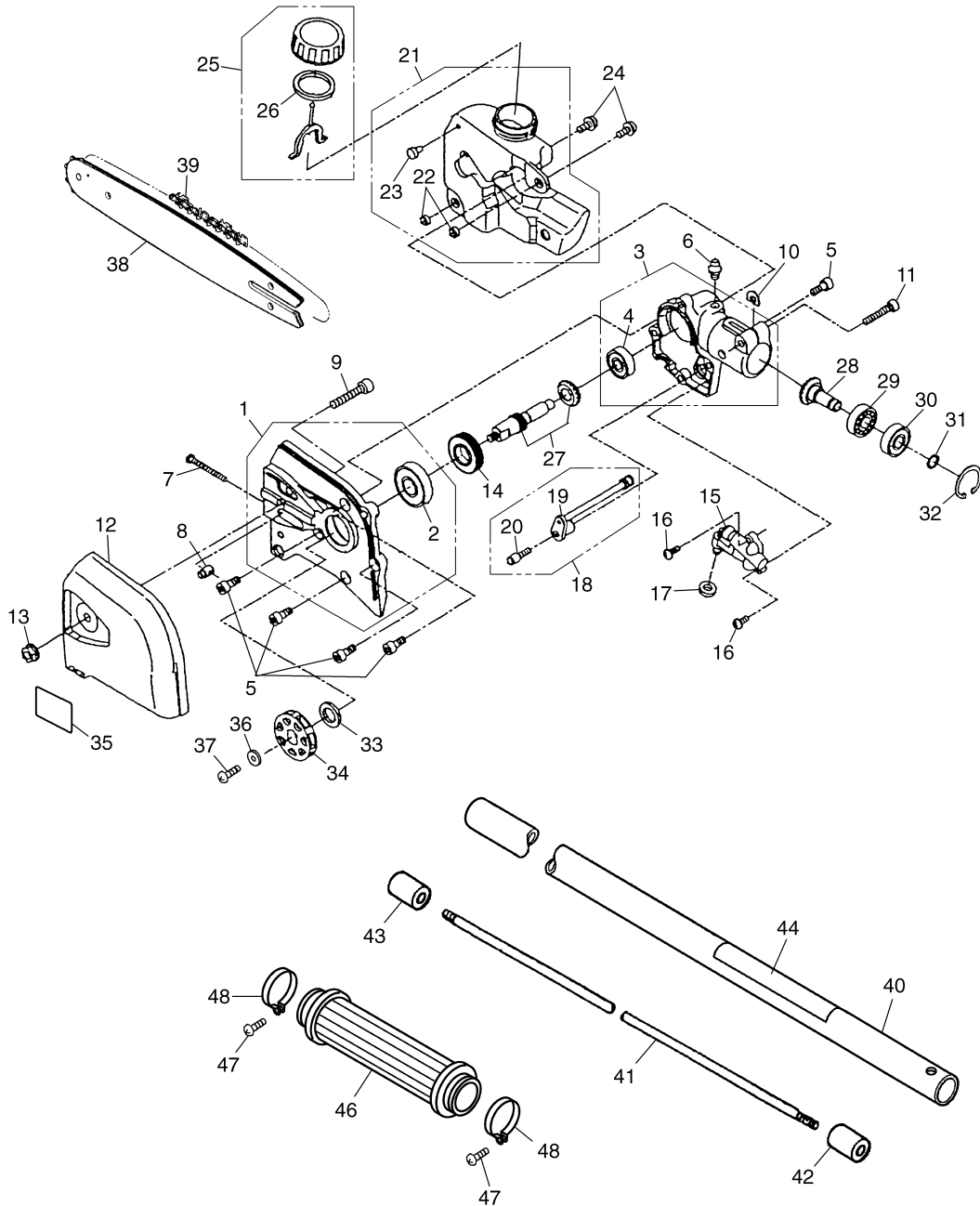


Fig.5 EX-PS (S/N 000000 and up)

Key#	Description	Part Number	Q'ty	Key#	Description	Part Number	Q'ty
1	GEAR CASE (L)COMP.	848-A52-6211	1	47	CLAMP	6193-11340	2
2	• BEARING	06004-06001	1	48	SCREW	0260-60312	2
3	GEAR CASE (R)COMP.	T3073-13200	1				
4	• BEARING	06002-00627	1				
5	BOLT	01252-30512	5				
6	FITTING	3199-13350	1				
7	SCREW, tensioner	T3073-13310	1				
8	NUT, tensioner	T3073-13320	1				
9	BOLT	01252-30630	1				
10	SHIM	T3073-13250	1				
11	BOLT	3245-11350	1				
12	CHAIN COVER	T3073-13510	1				
13	NUT	T3073-13520	1				
14	WORM GEAR	T3073-13560	1				
15	OIL PUMP ASSY	T3073-13550	1				
16	SCREW	0263-30410	2				
17	GASKET	T3073-13580	1				
18	OIL PIPE ASSY	T3073-13700	1				
19	• OIL PIPE	T3073-13710	1				
20	• FILTER	T3073-13720	1				
21	OIL TANK ASSY	848-A52-5511	1				
22	• COLLAR	T3073-13820	2				
23	• VALVE	T3073-13830	1				
24	SCREW	T3073-13860	2				
25	OIL CAP ASSY	T3073-13900	1				
26	• GASKET OIL CAP	T3073-13920	1				
27	GEAR SHAFT	T3073-13370	1				
28	BEVEL, pinion	T3073-13380	1				
29	BEARING	06000-00609	1				
30	BEARING	06002-00609	1				
31	SNAP RING	3210-13330	1				
32	SNAP RING	04065-02412	1				
33	COLLAR	T3073-13530	1				
34	SPROCKET	T3073-13540	1				
35	LABEL	T3073-13590	1				
36	WASHER	T3073-13350	1				
37	SCREW	T3073-13360	1				
38	BAR 12" (OREGON)	109666	1				
39	CHAIN (OREGON)	90SG44X	1				
40	PIPE-COMP, ø24x750	T3102-12100	1				
41	SHAFT, 755x7	T3102-12210	1				
42	SHAFT-JOINT	6036-12241	1				
43	SPACER	6036-12250	1				
44	PLATE-NAME	848-A51-90R3	1				
46	GRIP	6442-11332	1				

12. Parts list

Fig.6 EX-HE (S/N 000101 and up)

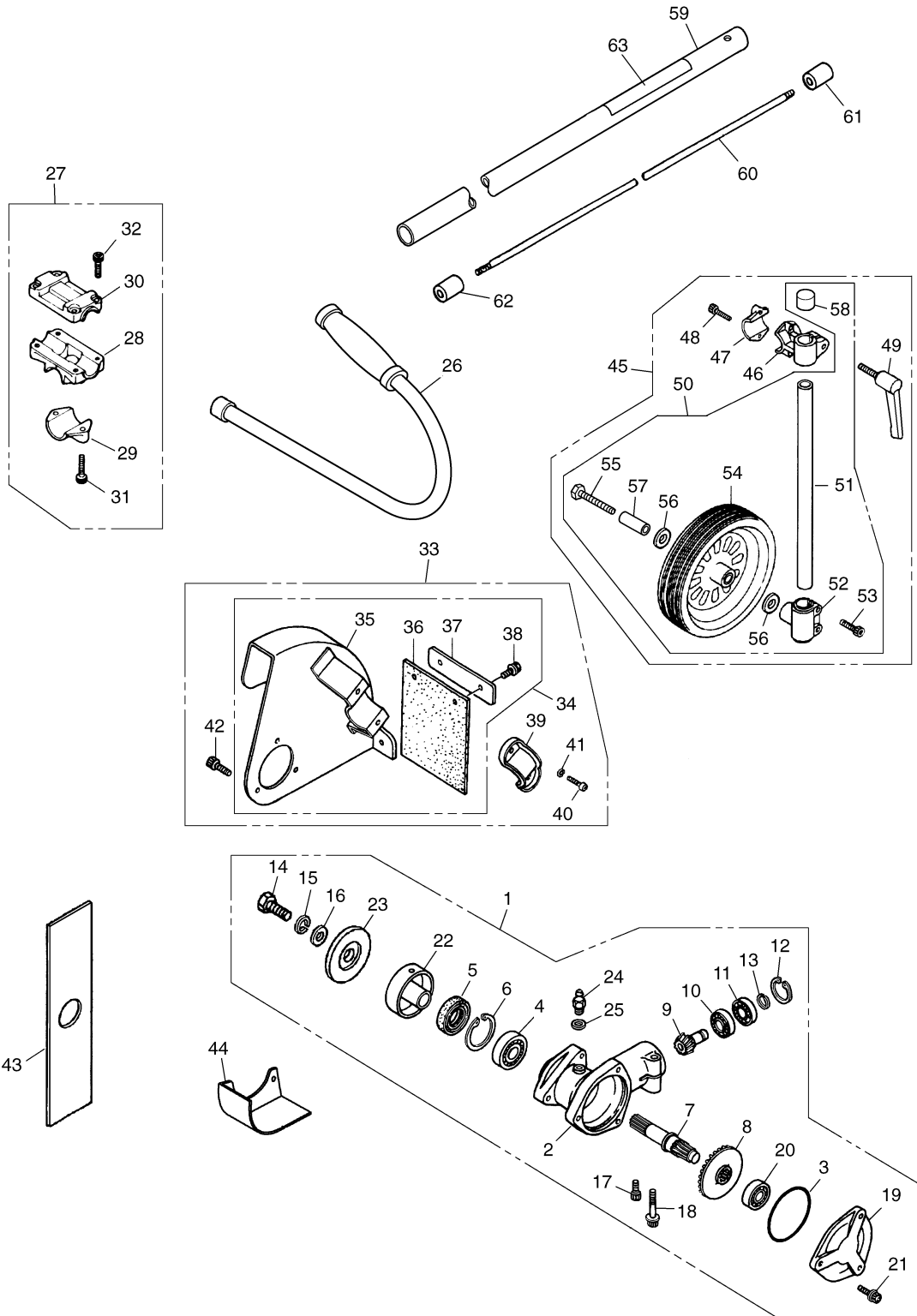


Fig.6 EX-HE (S/N 000101 and up)

Key#	Description	Part Number	Q'ty	Key#	Description	Part Number	Q'ty
1	GEARCASE ASSY	6367-13000	1	51	•• PIPE	6367-15210	1
2	• GEARCASE	6367-13110	1	52	•• BRACKET	3808-15230	1
3	• O-RING	6367-13150	1	53	•• BOLT	01252-30625	2
4	• BEARING	06000-06201	1	54	•• WHEEL	T3052-25150	1
5	• SEAL	3180-13141	1	55	•• BOLT	01010-81055	1
6	• RING	04065-03212	1	56	•• WASHER	01642-21016	2
7	• SHAFT	3541-13212	1	57	•• PIPE	T3052-25160	1
8	• GEAR	6367-13130	1	58	•• CAP	T3052-15250	1
9	• PINION	6367-13140	1	59	PIPE-COMP, $\phi 24 \times 750$	T3105-12100	1
10	• BEARING	06000-00609	1	60	SHAFT, 755x7	T3102-12210	1
11	• BEARING	06001-00609	1	61	SHAFT-JOINT	6036-12241	1
12	• RING	04065-02412	1	62	SPACER	6036-12250	1
13	• RING	3210-13330	1	63	PLATE-NAME	848-A44-90R3	1
14	• BOLT	3579-33260	1				
15	• WASHER	3310-43210	1				
16	• WASHER	01643-30823	1				
17	• BOLT	01252-30512	1				
18	• BOLT	3540-13260	1				
19	• COVER	6367-13120	1				
20	• BEARING	06000-06000	1				
21	• BOLT	3350-31470	3				
22	• HOLDER (A)	3541-13241	1				
23	• HOLDER (B)	3541-13251	1				
24	• FITTING	3199-13350	1				
25	• WASHER	01641-20608	1				
26	HANDLE COMP.	6367-14200	1				
27	BRACKET ASSY	3583-14101	1				
28	• BRACKET	3583-14111	1				
29	• CAP-L	3583-14121	1				
30	• CAP-U	3257-14192	1				
31	• BOLT	01252-30522	2				
32	• BOLT	01252-30525	4				
33	GUARD ASSY	6367-24001	1				
34	• GUARD COMP.	6367-24101	1				
35	•• GUARD	6367-24111	1				
36	•• PLATE	6367-24120	1				
37	•• PLATE	6367-24131	1				
38	•• BOLT	0225-30512	2				
39	• CLAMP	5807-24120	1				
40	• BOLT	01252-30618	2				
41	• WASHER	0290-20615	2				
42	• BOLT	3350-31470	3				
43	BLADE	6367-15110	1				
44	COVER	T3052-13610	1				
45	WHEEL ASSY	T3052-25001	1				
46	• BRACKET	6367-15230	1				
47	• CAP-L	3583-14121	1				
48	• BOLT	01252-30522	2				
49	• LEVER	3956-15340	1				
50	• WHEEL-S ASSY	T3052-25101	1				