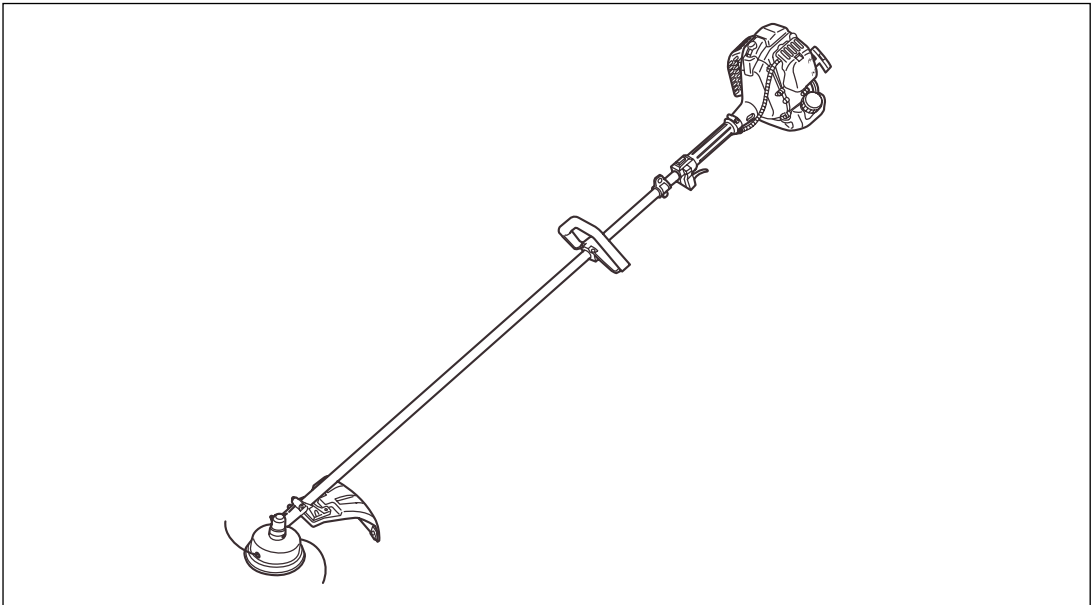




OWNER/OPERATOR MANUAL

BRUSHCUTTERS

BCX2600S



WARNING



The engine exhaust from this product contains chemicals known to the State of California to cause cancer, birth defects or other reproductive harm.



WARNING



Before using our brushcutters, please read this manual carefully to understand the proper use of your unit.


APPLICABLE SERIAL NUMBERS :

DRIVE UNIT 900101 and up

ENGINE UNIT 900101 and up



SAFETY FIRST

Instructions contained in warnings within this manual marked with a  symbol concern critical points which must be taken into consideration to prevent possible serious bodily injury, and for this reason you are requested to read all such instructions carefully and follow them without fail.

■ **WARNINGS IN THE MANUAL**



This mark indicates instructions which must be followed in order to prevent accidents which could lead to serious bodily injury or death.



This mark indicates instructions which must be followed, or it leads to mechanical failure, breakdown, or damage.

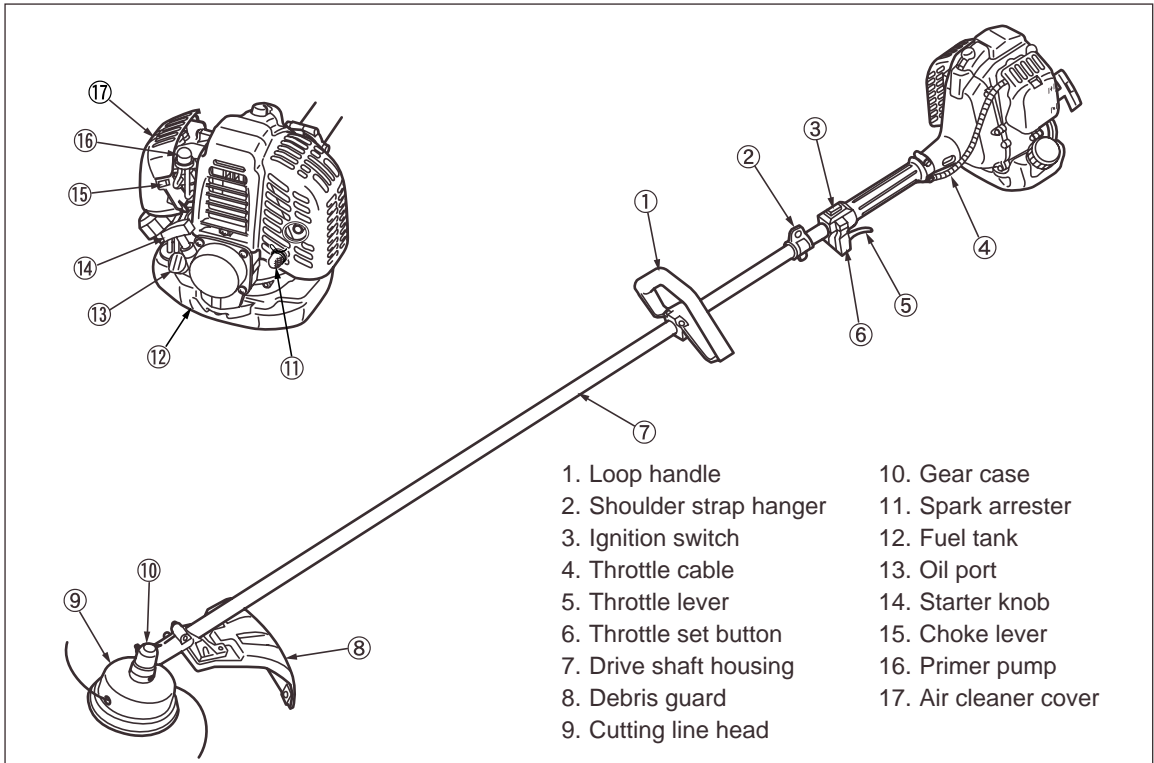


This mark indicates hints or directions useful in the use of the product.

CONTENTS

1. Parts location	4
2. Specifications	4
3. Warning labels on the machine	5
4. Symbols on the machine	6
5. For safe operation	7
6. Set up	13
7. Oil / Fuel.....	15
8. Operation	17
9. Maintenance	20
10. Cleaning and storage	28
11. Optional blade usage	29
12. Troubleshooting guide	34
13. Parts list	35

1. Parts location



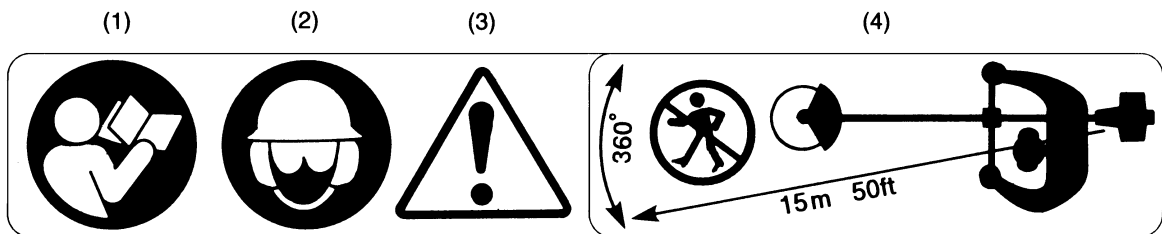
2. Specifications

■ BCX2600S

Overall size(LxWxH).....	72.5(1840)x12.5(320)x13.6(345) in(mm)
Dry weight w/o acc.....	11.6 lbs (5.25kg)
Engine Type.....	Air-cooled 4-stroke gasoline
Model.....	Zenoah F26A
Displacement	1.65cu-in (26.2cm ³)
Max. output	1.05Hp (0.8kW)at 7500/min ⁻¹ (rpm)
Idle speed.....	3200±200/min ⁻¹ (rpm)
Fuel.....	Unleaded Gasoline
Carburetor	Walbro Diaphragm type
Spark plug.....	Champion RDZ19H
Fuel tank capacity.....	20.0 fl.oz (0.59ℓ)
Transmission.....	Centrifugal clutch, Rigid driveshaft
Reduction ratio	1.357
Cutting head rotating direction	Counter-clockwise(Operator view)
Standard Accessories	
4 in. 2-line Head	1 pc.
Shoulder Strap	1 pc.
Goggle.....	1 pc.
Tool Kit	1 pc.

Specifications are subject to change without notice.

3. Warning labels on the machine



- (1) Read owner's manual before operating this machine.
- (2) Wear head, eye and ear protection.
- (3) Warning/Attention
- (4) Keep all children, bystanders and helpers 15 meters away from the brushcutter

⚠ IMPORTANT

If warning label peel off or become soiled and impossible to read, you should contact the dealer from which you purchased the product to order new labels and affix them in the required location(s).

⚠ WARNING

Never modify your brushcutter.
We won't warrant the machine, if you use the remodeled brushcutter or you don't observe the proper usage written in the manual.

- (1) Lire le mode d'emploi avant d'utiliser cette machine.
- (2) Porter un casque de sécurité, des lunettes de sécurité et un casque antibruit.
- (3) Avertissement/Attention
- (4) Interdire aux enfants ou à toute personne de s'approcher dans un rayon de 15 mètres de la débroussailleuse.

⚠ IMPORTANT

Si les étiquettes d'avertissement se décollent, deviennent sales ou impossible à lire, commander de nouvelles étiquettes auprès du revendeur pour les remplacer.

⚠ AVERTISSEMENT

Ne pas modifier la débroussailleuse.
La garantie sera annulée si la débroussailleuse a été modifiée ou utilisée de manière non conforme aux instructions de ce mode d'emploi.

4. Symbols on the machine



(a)



(b)



(c)

For safe operation and maintenance, symbols are carved in relief on the machine. According to these indications, please be careful not to take a mistake.

(a) The port to refuel the “UNLEADED FUEL”

Position:
FUEL TANK CAP

(b) The direction to close the choke

Position:
AIR CLEANER COVER

(c) The direction to open the choke

Position:
AIR CLEANER COVER

Des symboles en relief ont été placés sur la machine pour assurer la sécurité à l'usage et faciliter l'entretien. Prendre soin d'observer les indications suivantes afin d'éviter les erreurs.

(a) Orifice de remplissage du carburant
“Essence sans plomb”

Emplacement :
BOUCHON DU RESERVOIR DE
CARBURANT

(b) Position fermée du starter

Emplacement:
CAPOT DU FILTRE A AIR

(c) Position ouverte du starter

Emplacement:
CAPOT DU FILTRE A AIR

IMPORTANT ENGINE INFORMATION

THIS ENGINE MEETS U.S. EPA PH1
AND 2000 AND LATER CALIFORNIA
EMISSION REGULATIONS FOR SMALL
OFF-ROAD ENGINES WITH AN EMISSION
DURABILITY PERIOD OF 300 HOURS.

ENGINE FAMILY : XKZXS.0264YZ;EM
ENGINE DISPLACEMENT : 26.2cc
REFER TO OWNER'S MANUAL FOR MAINTENANCE SPECIFICATIONS AND ADJUSTMENTS.



RedMax[®]

KOMATSU ZENDAH CO.

INFORMATION IMPORTANTE CONCERNANT LE MOTEUR

Ce moteur est conforme aux normes U.S.
EPA PH1 et 2000 ainsi qu'aux autres dispositions
ultérieures de la réglementation concernant la pollution
de l'air pour les petits moteurs tout-terrain avec une
période de durabilité pour les émissions de 300 heures.

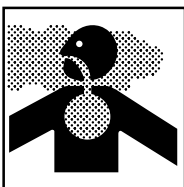
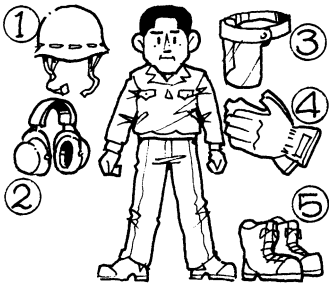
Type de moteur : XKZXS.0264YZ;EM
Cylindrée du moteur : 26,2cc
Se référer au Manuel de l'utilisateur pour les
spécifications d'entretien et les réglages.



RedMax[®]

KOMATSU ZENDAH CO.

5. For safe operation



1. Read this manual carefully until you completely understand and follow all safety and operating instructions.
2. Keep this manual handy so that you may refer to it later whenever any questions arise. Also note, if you have any questions which cannot be answered herein, contact the dealer from whom you purchased the product.
3. Always be sure to include this manual when selling, lending, or otherwise transferring the ownership of this product.
4. Never allow children or anyone unable to fully understand the directions given in the manual to use the machine.

■ WORKING CONDITION

1. When using the product, you should wear proper clothing and protective equipment.

(1) Helmet

(2) Ear protectors

(3) Protection goggles or face protector

(4) Thick work gloves

(5) Non-slip-sole work boots

2. And you should carry with you.

- (1) Attached tools and files
- (2) Properly reserved fuel
- (3) Spare blade
- (4) Things to notify your working area (rope, warning signs)
- (5) Whistle (for collaboration or emergency)
- (6) Hatchet or saw (for removal of obstacles)

3. Do not wear loose clothing, jewelry, short trousers, sandals, or go barefoot. Do not wear anything which might be caught by a moving part of the unit. Secure hair so it is above shoulder length.

■ WORKING CIRCUMSTANCE

1. Never start the engine inside a closed room or building. Exhaust gases contain dangerous carbon monoxide.
2. Never use the product,
 - a. when the ground is slippery or when you can't maintain a steady posture.



5. For safe operation



- b. At night, at times of heavy fog, or at any other times when your field of vision might be limited and it would be difficult to gain a clear view of the working area.
- c. During rain storms, during lightning storms, at times of strong or gale-force winds, or at any other times when weather conditions might make it unsafe to use the product.



■ WORKING PLAN

1. You should never use the product when under the influence of alcohol, when suffering from exhaustion or lack of sleep, when suffering from drowsiness as a result of having taken cold medicine or at any other time when a possibility exists that your judgment might be impaired or that you might not be able to operate the product properly and in a safe manner.
2. When planning your work schedule, allow plenty of time to rest. Limit the amount of time over which the product is to be used continuously to somewhere around 30~40 minutes per session, and take 10~20 minutes of rest between work sessions. Also try to keep the total amount of work performed in a single day under 2 hours or less.



▲ WARNING

1. If you don't observe the working time, or working manner (See ■USING THE PRODUCT), Repetitive Stress Injury(RSI) could occur.
If you feel discomfort, redness and swelling of your fingers or any other part of your body, see a doctor before getting worse.
2. To avoid noise complaints, in general, operate product between 8a.m. and 5p.m. on weekdays and 9a.m. to 5p.m. weekends.

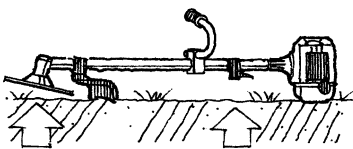
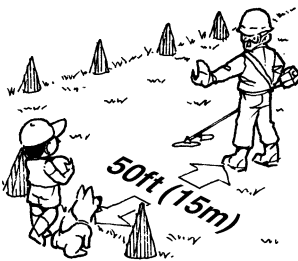
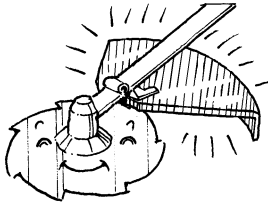
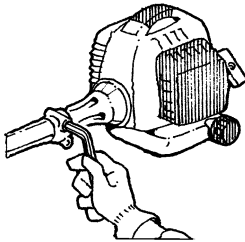
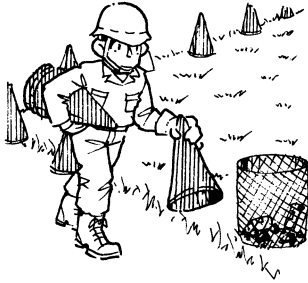


📖 NOTE

Check and follow the local regulations as to sound level and hours of operations for the product.



5. For safe operation



■ BEFORE STARTING THE ENGINE

1. The area within a perimeter of 50 feet (15m) of the person using the product should be considered a hazardous area into which no one should enter. If necessary yellow warning rope, warning signs should be placed around the perimeter of the area. When work is to be performed simultaneously by two or more persons, care should also be taken to constantly look around or otherwise check for the presence and locations of other people working so as to maintain a distance between each person sufficient to ensure safety.
2. Check the condition of working area to avoid any accident by hitting hidden obstacles such as stumps, stones, cans, or broken grass.

❗ IMPORTANT

Remove any obstacle before beginning work.

3. Inspect the entire unit for loose fasteners and fuel leakage. Make sure that the cutting attachment is properly installed and securely fastened.
4. Be sure the debris guard is firmly attached in place.
5. Always use the shoulder strap. Adjust the strap for comfort before starting the engine. The strap should be adjusted so the left hand can comfortably hold the handlebar grip approximately waist high.

■ STARTING THE ENGINE

1. Keep bystanders and animals at least 50 feet (15m) away from the operating point. If you are approached, immediately stop the engine.
2. The product is equipped with a centrifugal clutch mechanism, so the cutting attachment begins to rotate as soon as the engine is started by putting the throttle into the start position. When starting the engine, place the product onto the ground in a flat clear area and hold it firmly in place so as to ensure that neither the cutting part nor the throttle come into contact with any obstacle when the engine starts.

5. For safe operation

WARNING

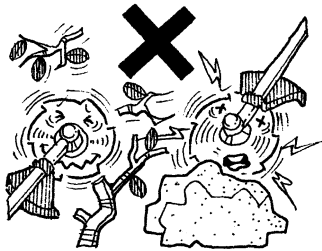
Never place the throttle into the high speed position when starting the engine.

3. After starting the engine, check to make sure that the cutting attachment stops rotating when the throttle is moved fully back to its original position. If it continues to rotate even after the throttle has been moved fully back, turn off the engine and take the unit to your authorized Red Max servicing dealer for repair.

■ USING THE PRODUCT

IMPORTANT

Cut only materials recommended by the manufacturer. And use only for tasks explained in the manual.



1. Grip the handles firmly with both hands using your whole hand. Place your feet slightly apart (slightly further apart than the width of your shoulders) so that your weight is distributed evenly across both legs, and always be sure to maintain a steady, even posture while working.
2. Keep cutting attachment below waist level.
3. Maintain the speed of the engine at the level required to perform cutting work, and never raise the speed of the engine above the level necessary.
4. If the unit start to shake or vibrate, turn off the engine and check the whole unit. Do not use it until the trouble has been properly corrected.
5. Keep all parts of your body away from rotating cutting attachment and hot surfaces.
6. Never touch the muffler, spark plug, or other metallic parts of the engine while the engine is in operation or immediately after shutting down the engine. Doing so could result in serious burns or electrical shock.



5. For safe operation

• IF SOMEONE COMES

1. Guard against hazardous situations at all times. Warn adults to keep pets and children away from the area. Be careful if you are approached. Injury may result from flying debris.
2. If someone calls out or otherwise interrupts you while working, always be sure to turn off the engine before turning around.

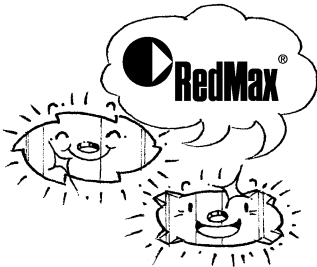


■ MAINTENANCE

1. In order to maintain your product in proper working order, perform the maintenance and checking operations described in the manual at regular intervals.
2. Always be sure to turn off the engine before performing any maintenance or checking procedures.

▲ WARNING

The metallic parts reach high temperatures immediately after stopping the engine.



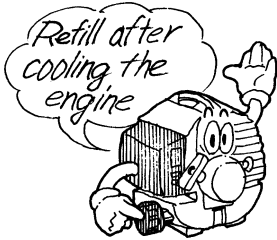
3. When replacing the cutting attachment or any other part, or when replacing the oil or any lubricant, always be sure to **use only RedMax products or products which have been certified by RedMax for use with the RedMax product.**
4. In the event that any part must be replaced or any maintenance or repair work not described in this manual must be performed, please contact a representative from the store nearest RedMax authorized servicing dealer for assistance.
5. Do not use any accessory or attachment other than those bearing the RedMax mark and recommended for the unit.
6. Under no circumstances should you ever take apart the product or alter it in any way. Doing so might result in the product becoming damaged during operation or the product becoming unable to operate properly.

■ HANDLING FUEL

1. The engine of the RedMax product is designed to run on a raw fuel which is highly flammable gasoline. Never store cans of fuel or refill the



5. For safe operation



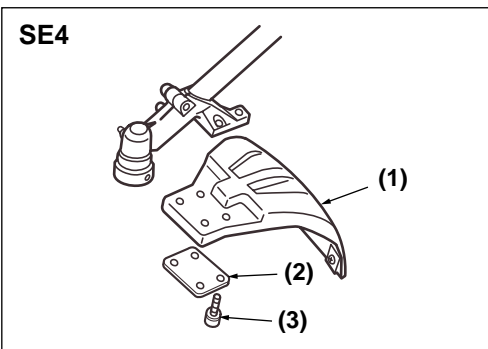
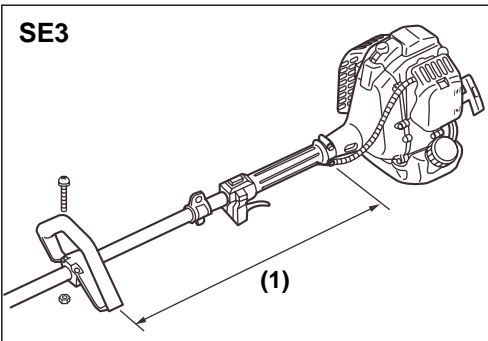
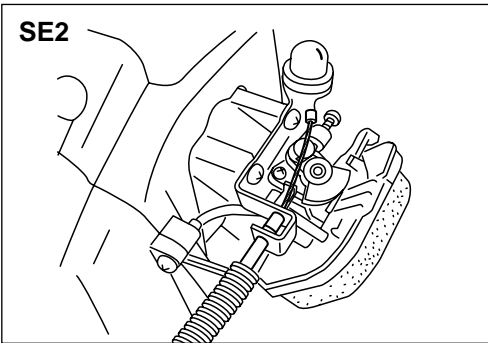
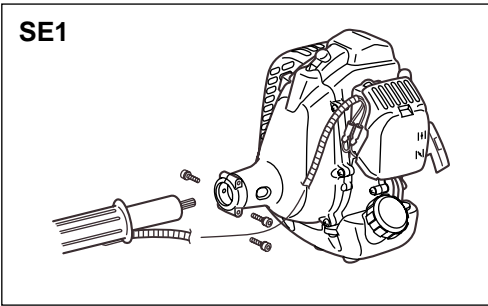
tank of the unit in any place where there is a boiler, stove, wood fire, electrical sparks, welding sparks, or any other source of heat or fire which might ignite the fuel.

2. Never smoke while operating the unit or refilling its fuel tank.
3. When refilling the tank, always turn off the engine and allow it to cool down. Take a careful look around to make sure that there are no sparks or open flames anywhere nearby before refueling.
4. Wipe spilled fuel completely using a dry rag if any fuel spillage occurs during refueling.
5. After refueling, screw the fuel cap back tightly onto the fuel tank and then carry the unit to a spot 10 feet or more away from where it was refueled before turning on the engine.

■ TRANSPORTATION

1. When hand-carrying the product, cover over the cutting part if necessary, lift up the unit and carry it paying attention to the cutting part.
2. Never transport the product over rough roads over long distances by vehicle without removing all fuel from the fuel tank. If doing so, fuel might leak from the tank during transport.

6. Set up



■ MOUNTING ENGINE (SE1)

1. Push the driveshaft housing toward the clutch housing and rotate it by hand to check that the driveshaft is engaged with the gears.
2. Insert the driveshaft housing into the clutch housing until it bottoms, and align the positioning holes on the clutch housing and the shaft tube and install the screw. When difficult to engage, twist the engine slightly.
3. Fasten the clamp securely with two screws.

❗ IMPORTANT

Tighten the screws gradually by turns.

■ CONNECTING THROTTLE WIRE

1. Remove the air cleaner cover.
2. Connect the end of the throttle wire to the joint on the top of the carburetor. (SE2)

■ CONNECTING SWITCH WIRES

- Connect the switch wires between the engine and the main unit. Connect the wire to the same color receiver on the main unit.

■ INSTALLING HANDLE

- Mount the handle to the shaft tube and clamp it at a location that is comfortable to you. (SE3)

(1) About 19 inches (48cm)

■ INSTALLING DEBRIS GUARD

- Put the debris guard on the gear box, attach it with the 4 screws and hardware provided. (SE4)

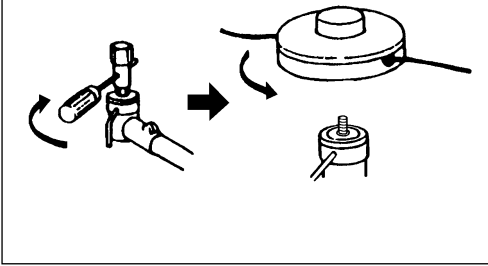
(1) Debris Guard

(2) Plate

(3) Screw

6. Set up

SE5



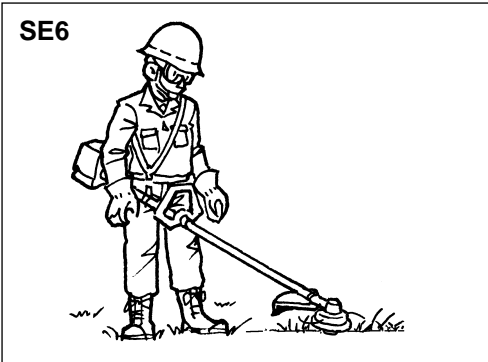
■ INSTALLING CUTTING HEAD (SE5)

1. While locking the gear shaft, by inserting the supplied tool into the upper holder on the gear box, loosen and remove the hexagon nut(left-handed)
2. Fit the holder attached to the upper holder. Then screw in the cutting head to the gear shaft over the holders. Hand-tighten it securely.

■ BALANCE UNIT

1. Put on strap and attach unit to strap.
2. Slide clamp up or down until unit balances with head just touching on the ground. (SE6)

SE6



7. Oil / Fuel

■ RECOMMENDED OIL TYPE

Using the proper type and weight of oil in the crankcase is extremely important. Check the oil before each use and change the oil regularly. Failure to use the correct oil, or using dirty oil, can cause premature engine wear and failure. Use a high-quality SAE30 weight oil of API (American Petroleum Institute) service class SH.

■ ADDING OIL TO CRANKCASE-INITIAL USE

1. Install the funnel spout.
2. Place the unit on a flat level surface.
3. Remove the oil plug/dipstick from the crankcase.
Pour 3.4 fl oz(100ml) oil into the crankcase.

up to the : top of the dipstick

NOTE

Never add oil to the fuel or fuel tank.

4. Wipe up any oil that may have spilled and reinstall the oil fill plug/dipstick.

The importance of checking and maintaining the proper oil level in the crankcase cannot be overemphasized. **Check oil before each use** and change as needed as shown in **Maintenance section**.

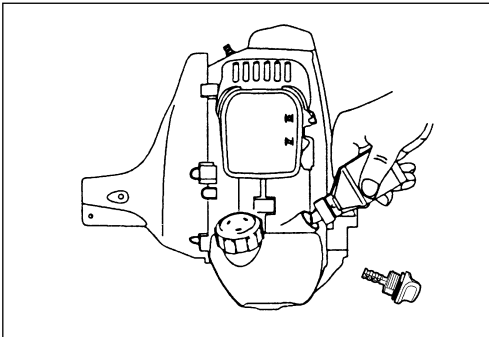
■ RECOMMENDED FUEL TYPE

WARNING

Gasoline is extremely flammable and its vapors can explode if they are ignited. To avoid serious personal injury, always stop the engine and allow it to cool before filling the fuel tank. Do not smoke while filling the tank. Keep sparks and open flames away from the area.

WARNING

Pressure can build up in the fuel tank. Loosen the fuel tank cap slowly to relieve any pressure in the tank.



7. Oil / Fuel

Old fuel is usually the main reason for the unit not running properly. Be sure to use fresh, clean, unleaded fuel.



Alcohol-blended fuel absorbs moisture (water). As little as 1% moisture in the fuel can cause it to separate and form acids when stored. If this type of fuel must be used, use fresh fuel (less than 60 days old).

■ DEFINITION OF BLENDED FUELS

Today's fuels are often a blend of gasoline and one or more oxygenates such as ethanol, methanol or MTBE (ether).

■ USE OF BLENDED FUELS

If you choose to use a blended fuel or its use is unavoidable, the following precautions are recommended.

1. Always use fresh unleaded fuel per your operator's manual.
2. Use the special additive STA-BIL® or an equivalent.
3. Always agitate the fuel mix before fueling the unit.
4. Drain the tank and run the engine dry before storing the unit.

■ USE OF FUEL ADDITIVES

The use of fuel additive, such as STA-BIL® Gas Stabilizer or an equivalent, will inhibit corrosion and minimize the formation of gum deposits. Add 0.8oz (23ml) per gallon of fuel per instructions on container. NEVER add fuel additives directly to the unit's fuel tank. Using a fuel additive can keep fuel fresh for up to six(6) months.

8. Operation

■ STARTING ENGINE

WARNING

The cutting head will start rotating upon the engine starts.

1. Check the oil level in crankcase (See ■ OIL LEVEL at p.22).
2. Fill the fuel tank with **fresh, clean, unleaded fuel** (See p.16) up to 80% of the full capacity.
3. Rest the unit on a flat, firm place. Keep the cutting head off the ground and clear of surrounding objects as it will start rotating upon starting of the engine.
4. Push the primer pump several times until overflowed fuel flows out in the clear tube. (OP1)
5. Move the choke lever downward to the "Start" position. (OP1)
6. Set the ignition switch to the "start" position. While pulling the throttle lever, push the set button, and release the throttle, then the throttle lever is in the "start" position. (OP2)
7. While holding the unit firmly, pull out the starter knob briskly. (OP3)

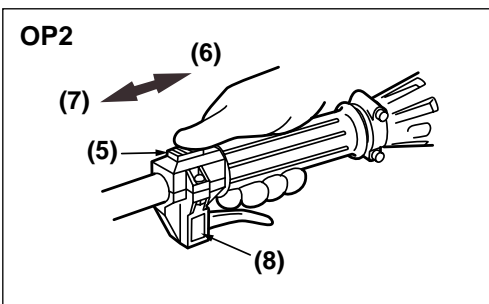
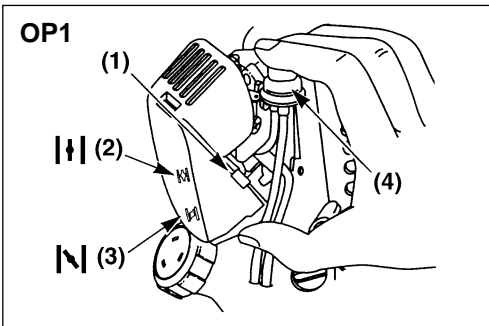
- (1) Choke Lever (2) Run (3) Start
(4) Primer Pump
(5) Ignition Switch (6) Start (7) Stop
(8) Throttle Set Button

IMPORTANT

- Avoid pulling the rope to its end or returning it by releasing the knob. Such actions can cause starter failures.
8. When the engine has started or sounds like it wants to run (normally 2 to 5 pulls), move the choke lever gradually upward to the "Run" position. In the case the engine has not started after opening the choke, pull the starter knob briskly to start the engine. (OP3)
 9. Allow the engine to warm up for a several minutes before starting operation.

NOTE

1. When restarting the engine immediately after stopping it, leave the choke "RUN" position.



8. Operation

- Overchoking can make the engine hard to start due to excess fuel. When the engine failed to start after several attempts, open the choke and repeat pulling the rope, or remove the spark plug and dry it.

■ STOPPING ENGINE (OP2)

- Release the throttle lever and run the engine for a half minute.
- Shift the ignition switch to the STOP position.

⚠ IMPORTANT

- Except for an emergency, avoid stopping the engine while pulling the throttle lever.

■ ADJUSTING IDLING SPEED (OP4)

- When the engine tends stop frequently at idling mode, turn the adjusting screw clockwise.
- When the cutting head keeps rotating after releasing the trigger, turn the adjusting screw counter-clockwise.

(1) Idle Adjusting Screw

📖 NOTE

- Warm up the engine before adjusting the idling speed.

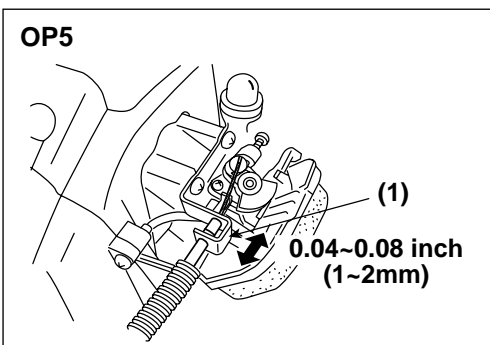
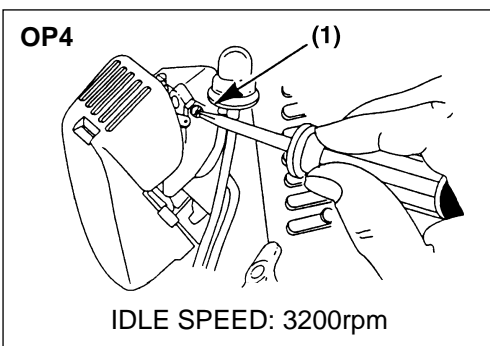
■ ADJUSTING THE WIRE PLAY (OP5)

- Place the throttle lever to the fully returned position.
- Pull the throttle cable and check the play is proper range (0.04~0.08in)(1~2mm).
- If the play is too large, bend the wire bracket to left side (i.e. cable side) by plier etc. And if the play is too small, bend the wire bracket to right side (i.e. carburetor side) by plier etc.

(1) Wire bracket

⚠ IMPORTANT

- Too large play causes wire out from the position. Too small play causes throttle lever does not stay at idling position.



8. Operation

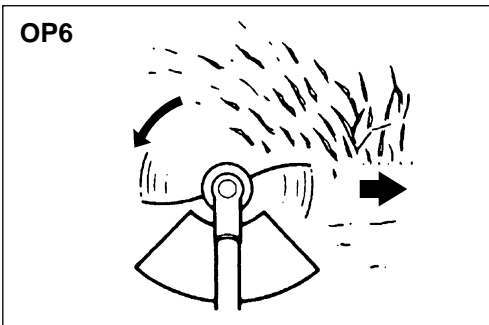
■ CUTTING WORK (LINE HEAD USAGE)

⚠ WARNING

1. Always wear eye protection such as safety goggles. Never lean over the rotating cutting head. Rocks or other debris could be thrown into eyes and face and cause serious personal injury.
2. Keep the debris guard in place at all times when the unit is operated.

TRIMMING GRASS AND WEEDS

- Always remember that the TIP of the line does cutting. You will achieve better results by not crowding the line into the cutting area. Allow the unit to trim at its own pace.
1. Hold the unit so the head is off the ground and is tilted about 20 degrees toward the sweep direction. (OP6)
 2. You can avoid thrown debris by sweeping from your left to the right.
 3. Use a slow, deliberate action to cut heavy growth. The rate of cutting motion will depend on the material being cut. Heavy growth will require slower action than will light growth.
 4. Never swing the unit so hard as you are in danger of losing your balance or control of the unit.
 5. Try to control the cutting motion with the hip rather than placing the full workload on the arm and hands.
 6. Take precautions to avoid wire, grass and dead, dry, long-stem weeds from wrapping around the head shaft. Such materials can stall the head and cause the clutch to slip, resulting in damage to the clutch system if repeated frequently.



ADJUSTING THE LINE LENGTH

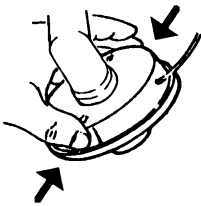
- Your brushcutters is equipped with a semi- auto type nylon line head that allows the operator to advance the line without stopping the engine. When the line becomes short, lightly tap the head on the ground while running the engine at full throttle.
- Each time the head is bumped, the line advance about 1 inch(25.4 mm). For better effect, tap the head on bear ground or hard soil. Avoid bumping in thick, tall grass as the engine may stall by overload.

9. Maintenance

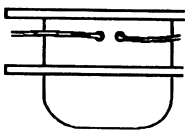
MAINTENANCE CHART

	system/component	procedure	before use	first 10 hours after	first 20 hours after	every 25 hours after	every 50 hours after	every 100 hours after	note
ENGINE	oil level	check/add oil, if needed	✓						
	oil	change oil		✓			✓		recheck before long-term storage
	fuel filter, air filter	check/clean	✓					✓	replace if needed
	fuel tank	clean/fill the correct fuel	✓						
	fuel leaks, fuel spillage	wipe out	✓						
	idle adjusting screw	see ■ adjusting idling speed(p.18)	✓						replace, carburetor if needed
	spark plug	clean and readjust plug gap						✓	GAP: .025in(0.655mm) replace if needed
	the valve to rocker arm clearance	check/clean			✓		✓		adjust, if necessary
	cylinder fins, intake air cooling vent	clean				✓			
muffler, spark arrester, cylinder exhaust port, combustion chamber	clean						✓		
SHAFT	throttle lever, ignition switch	check operation	✓						
	cutting parts	replace if something's wrong	✓						
	debris guard	make sure to attach	✓						
	gear case	grease				✓			
	screws/nuts/bolts	tighten/replace	✓					✓	not adjusting screws

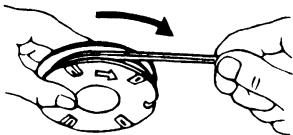
MA1



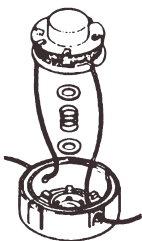
MA2



MA3



MA4



REFILLING TRIMMING LINE

1. For replacement line, use a diameter of .095 in(2.4mm). The spool is capable for a line upto 27ft(8 m)on the 4" head. Avoid using a larger line as it may cut down the trimming performance.

WARNING

For safety reasons, do not use metalreinforced line.

2. Pinch the slotted area on the both sides of the spool housing to unhook the bottom cap. (MA1)
3. Take out the spool and pull off the old line. Put one end of new line through the spool holes and pull it until the length is equal between each part of the line. (MA2)
4. Wind up the line in the correct direction as indicated on the spool. (MA3)
5. Hook each end of the line in the slot on the edge of the spool, and then put the ends through the eyelets on the housing. Make sure that the spring and the washers are in place. (MA4)
6. While holding the spool against the housing, pull the line ends to release them from the slot.
7. Line up the slot on the bottom cap with the hook

9. Maintenance

on the housing, press the cap against the housing until it clicks.

⚠ WARNING

- **Make sure that the engine has stopped and is cool before performing any service to the machine. Contact with moving cutting head or hot muffler may result in a personal injury.**

■ AIR FILTER

ⓘ IMPORTANT

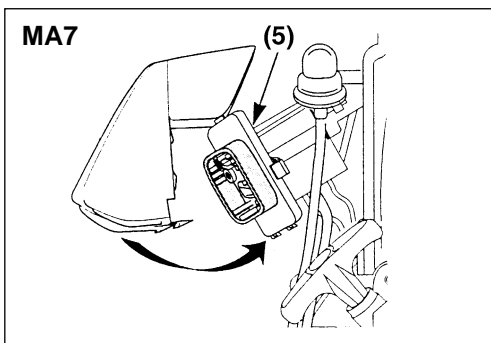
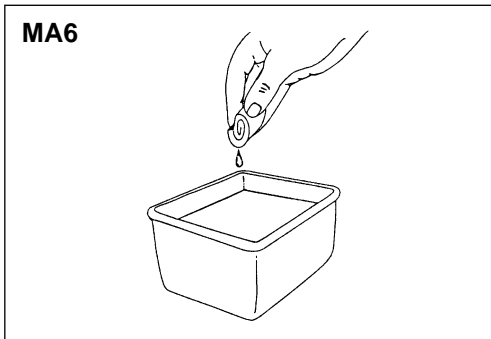
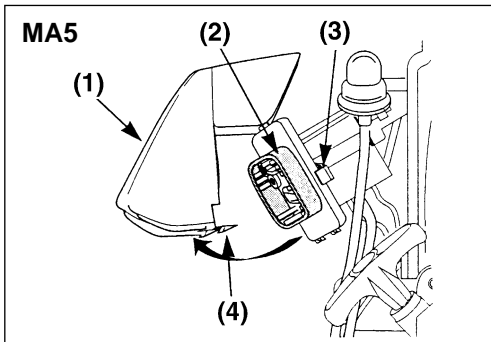
Your unit's air filter is one of the most important areas to maintain. If it is not maintained, you will void the warranty.

1. Remove the air filter cover by pulling up the two tabs on the bottom back of the cover, then pull out and up. (MA5)
2. Remove the air the filter. (MA5)
3. Wash the filter in detergent and water. Rinse the filler thoroughly and allow it to dry. (MA6)
4. Reinstall the filter. (MA5)
5. Reinstall the air filter cover by positioning the notch on top of the air filter cover onto the tab at the top of the back plate. (MA7)
6. Using two fingers on either side of the air filter cover and back plate, squeeze together until the cover snaps into place. (MA7)

**(1) Air Filter Cover (2) Air Filter
(3) Choke Lever (4) Tab (5) Back Plate**

⚠ WARNING

Never operate the machine without air filter or filter cover. Doing so could lead the engine breakdown.

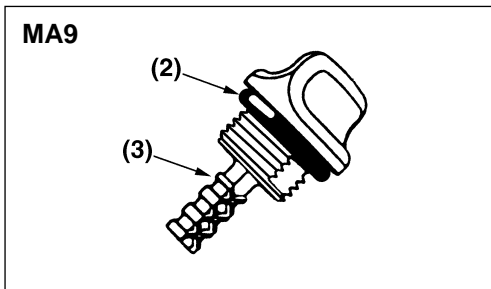
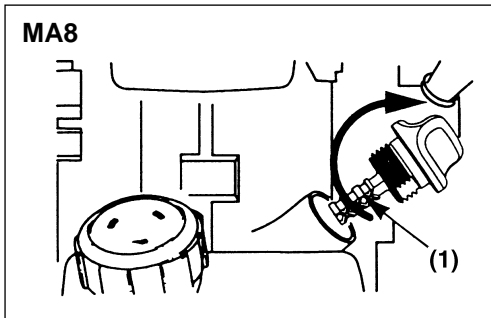


9. Maintenance

■ OIL LEVEL

WARNING

To prevent extensive engine wear and damage to the unit, always maintain the proper oil level in the crankcase. Never operate the unit with the oil level below the bottom of the dipstick.



1. Make sure the engine is stopped and is cool so the oil has had time to drain into the crankcase.
2. Place the unit on a flat, level surface to get a proper oil level reading.
3. To keep dirt, grass clippings, etc., out of the engine, clean the area around the oil fill plug/dipstick before removing it.
4. Remove the oil plug/dipstick and wipe the oil off. Reinsert it all the way back in.
5. Remove the oil plug/dipstick and check the oil level. The level should be up to the top of the dipstick. (MA9)
6. If the level is low, add a small amount of oil to the crankcase and recheck. Continue to do this until the oil level reaches the top of the dipstick. (MA9)

(1) Oil Fill Plug/Dipstick (2) O-Ring
(3) Top of Dipstick

NOTE

Be careful not to overfill the unit.

CHANGING THE OIL

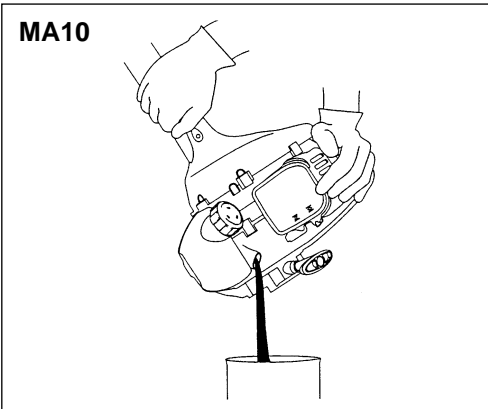
For a new engine, change the oil after the first **10 hours** of operation. Thereafter, change the oil after every **50 hours** or before storing the unit for an extended period of time.

It is best to change the oil while the engine is still warm. The oil will flow freely and carry away more impurities.

WARNING

Wear gloves to prevent injury when handling the unit.

9. Maintenance

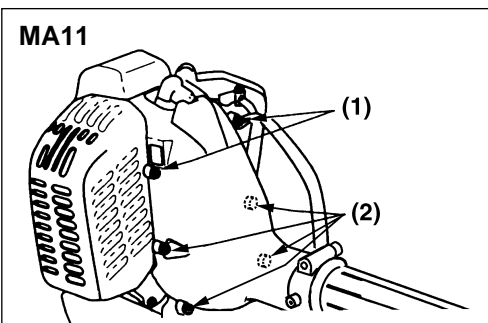


Change the oil as follow:

1. Remove the oil fill plug/dipstick.
2. Pour the oil into a container by tipping the unit to a vertical position. Be sure to allow ample time for complete drainage. (MA10)
3. Wipe up any oil residue on the unit and clean up any oil that may have spilled. Dispose of the oil according to Federal, State and local regulations.
4. Refill the crankcase with 3.4 fluid oz (100ml) of SAE30, SH oil.
5. Reinstall the oil fill plug/dipstick.

NOTE

Make sure the O-ring is in place on the oil fill plug/dipstick when checking and changing the oil. (MA9)

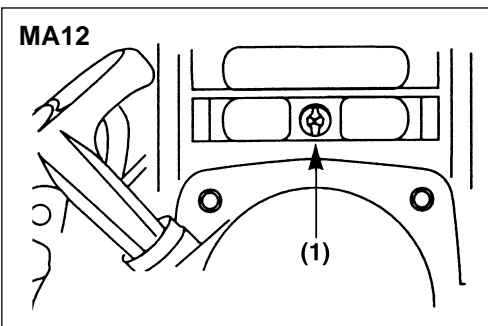


■ VALVE TO ROCKER ARM CLEARANCE

After the first 20 hours and every 50 hours of operation, inspect the valve to rocker arm clearance using a flat feeler gauge.

NOTE

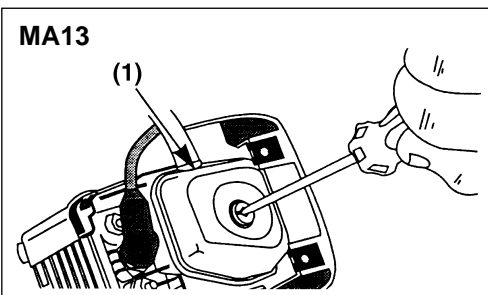
This requires some disassembly of the engine. If you feel unsure or unqualified to perform this, take the unit to an authorized service center.



NOTE

The engine must be cold when checking or adjusting the valve clearance.

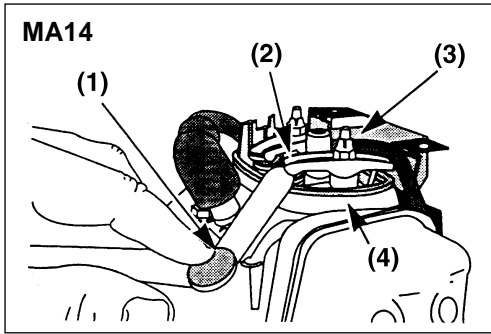
- This task should be performed inside, in a clean, dust free area.



1. Loosen the four screws shown in (MA11 (2)).
2. Remove the three screws that secure the engine cover. (MA11 (1), MA12 (1))
3. Disconnect the spark plug wire.
4. Remove the spark plug and then remove the engine cover.
5. Remove the rocker arm cover and gasket. (MA13)

(1) Rocker arm cover

9. Maintenance



6. While looking in the spark plug hole, pull the starter rope slowly and bring the piston to the top position. Check that both rocker arms should move freely. If they do not, repeat this step. This will be top of the compression stroke.
7. Using a flat feeler gauge, measure the clearance between the valve stems and rocker arms. (MA14)

**(1) Feeler gauge (2) Rocker arm
(3) Adjusting nut (4) Gasket**

The recommended clearance for both intake and exhaust is **.003~.006in, (0.076~0.152mm)**.

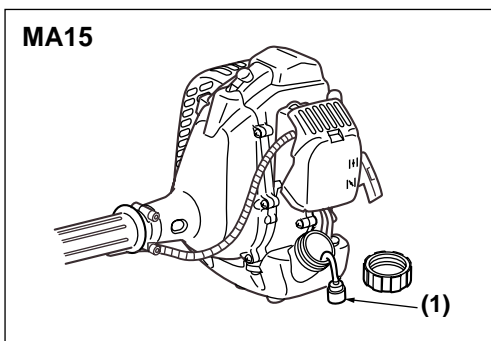
The feeler gauge should slide between the rocker arm and valve stem with a slight amount of resistance, without binding.

8. If the clearance is not within specification, adjust as follows:
 - a. Turn the adjusting nut using a 5/16 inch (8mm) wrench or nut driver. (MA14)
To **increase** the clearance, turn the adjusting nut **counterclockwise**.
To **decrease** the clearance, turn the adjusting nut **clockwise**.
 - b. Recheck both valve clearances and adjust as necessary.
9. Reinstall the rocker arm cover using a new gasket. Torque the screw to **37~43 in-lbs (4.1~4.7 N.m.)**.
10. Reinstall the engine cover. Check alignment of the cover before tightening the screws.
Be sure to tighten the screws loosened in step 1.
11. Check the plug, see **Replacing the Spark Plug**, and reinstall. Torque the spark plug to **100~110 in-lbs (11.3~12.3 N.m.)**.
Reinstall the spark plug wire.

■ FUEL FILTER

- When the engine runs short of fuel supply, check the fuel cap and the fuel filter for blockage. (MA15)

(1) Fuel filter



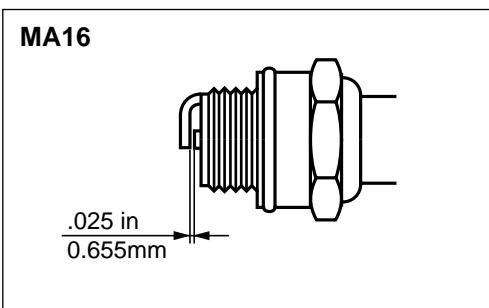
9. Maintenance

■ SPARK PLUG

⚠ IMPORTANT

- Starting failure and mis-firing are often caused by a fouled spark plug. Clean the spark plug and check that the plug gap is in the correct range. For a replacement plug, **use the correct type specified by RedMax.** (MA16)

Specified plug is Champion RDZ19H



1. Stop the engine and allow it to cool. Pull the wire off of the spark plug.
 2. Clean around the spark plug and remove it from the cylinder head. Use a 5/8 inch (16mm) socket to remove the plug.
 3. Clean the electrode.
 4. Set the plug gap at 0.025 in. (0.655mm) using a feeler gauge (MA16). Install a correctly gapped spark plug into the cylinder head.
- To install the spark plug, first turn the plug until it is finger tight, then tighten it a quarter turn more with a socket wrench.

**TIGHTENING TORQUE: 100~110 in-lbs
(11.3~12.3 N.m.)**

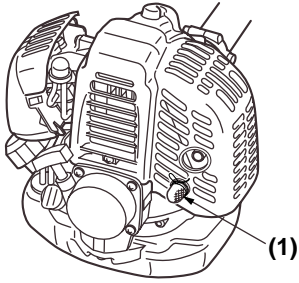
■ MUFFLER

⚠ WARNING

- Inspect periodically, the muffler for loose fasteners, any damage or corrosion. If any sign of exhaust leakage is found, stop using the machine and have it repaired immediately.
- **Note that failing to do so may result in the engine catching on fire.**

9. Maintenance

MA17

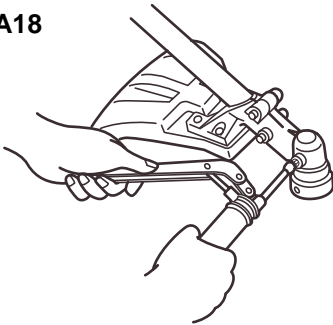


■ SPARK ARRESTER

- The muffler is equipped with a spark arrester to prevent red hot carbon from flying out of the exhaust outlet. Periodically inspect and clean as necessary with a wire brush. In the State of California it is required by law (Section 4442 of the California Public Resources Code) to equip a spark arrester when a gas powered tool is used in any forest covered, brush covered, or grass covered unimproved land. (MA17)

(1) spark arrester

MA18



■ GEAR CASE (MA18)

- The reduction gears are lubricated by multipurpose, lithium-based grease in the gear case. Supply new grease every 25 hours of use or more often depending on the job condition.
- Remove the cutter holders before installing new grease to arrange for old grease to exit.

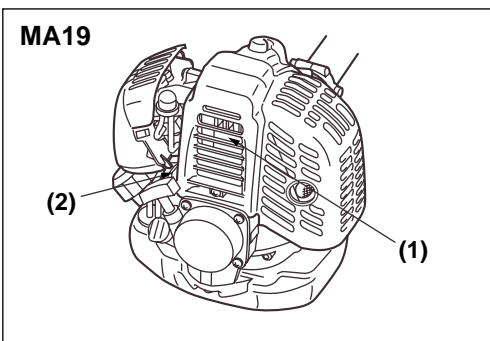
■ INTAKE AIR COOLING VENT

⚠ WARNING

- **Never touch the cylinder, muffler, or spark plugs with your bare hands immediately after stopping the engine. The engine can become very hot when in operation, and doing so could result in severe burns.**
- **When checking the machine to make sure that it is okay before using it, check the area around the muffler and remove any wood chips or leaves which have attached themselves to the brushcutter. Failing to do so could cause the muffler to become overheated, and that this in turn could cause the engine to catch on fire. Always make sure that the muffler is clean and free of wood chips, leaves, and other waste before use.**
- Check the intake air cooling vent and the area around the cylinder cooling fins after every 25 hours of use for blockage, and remove any waste which has attached itself to the brushcutter. Note that it is necessary to remove the engine cover shown in (MA11,MA12) in

9. Maintenance

order to be able to view the upper part of the cylinder.

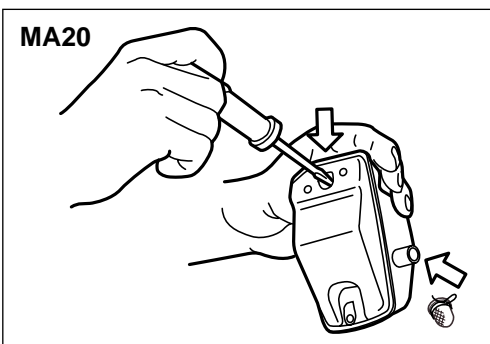


⚠ IMPORTANT

- If waste gets stuck and causes blockage around the intake air cooling vent or between the cylinder fins, it may cause the engine to overheat, and that in turn may cause mechanical failure on the part of the brushcutter. (MA19)

(1) cylinder

(2) intake air cooling vent (back)



■ MUFFLER AND THE OTHER MAINTENANCE AFTER EVERY 100 HOURS OF USE

1. Remove the muffler, insert a screwdriver into the vent, and wipe away any carbon buildup. Wipe away any carbon buildup on the muffler exhaust vent and cylinder exhaust port at the same time. (MA20)

Ask the authorized servicing dealer for the combustion chamber's maintenance.

2. Tighten all screws, bolts, and fittings.
3. Check to see if any oil or grease has worked its way in between the clutch lining and drum, and if it has wipe it away using oil-free, lead-free gasoline.

10. Cleaning and storage

■ CLEANING



Always turn off your trimmer before you can or perform any maintenance on it.

Use a small brush to clean off the outside of the unit. Do not use strong detergents on plastic housing or handle. They can be damaged by household cleaners that contain aromatic oils such as pine and lemon, and by solvents such as kerosene. Wipe off any moisture with a soft cloth.

■ STORAGE

If the unit will be stored for an extended period of time, use the following storage procedure.

1. Drain all fuel from the fuel tank into a container.
Do not use fuel that has been stored for more than 60 days. Dispose of the old fuel in accordance to Federal, State and Local regulations.
2. Start the engine and allow it to run until it stalls. This ensures that all fuel has been drained from the carburetor.
3. Allow the engine to cool. Change the oil (see page15). Remove the spark plug and put approximately 0.1oz (3ml) of any high quality motor oil or 4-cycle oil into the cylinder.
4. Pull the starter rope slowly to the position felt resistance by compression.
5. Reinstall the spark plug.
6. Thoroughly clean the unit inspect for any loose or damaged parts. Repair or replace damaged parts and tighten loose screws, nuts or bolts. The unit is now ready for storage.











When storing the unit, stand up the unit as to the engine is upwards.



Remove the spark plug and drain all of the oil from the cylinder before attempting to start the trimmer after storage.

11. Optional blade usage

OPT1

CUTTER APPLICATION CHART	Saw blade  6298-11213	8-teeth blade  6298-15243	4-teeth blade  6298-14243	Nylon line head 
Under growth 	○			
Heavy weeds 		○		
Light weeds 			○	○
Grass 				○

■ CHOOSE THE BLADE

Choose a suitable recommended cutting attachment according to the object to be cut. (OPT1)

- When replacing blade always be sure to use products which have been certified by RedMax.

⚠ WARNING

- When sharpening, removing, or reattaching the blade, be sure to wear thick, sturdy gloves and use only proper tools and equipment to prevent injury.

■ SET UP

1. Detach the line head assembly completely. (OPT2)
2. Put on the blade, making the marked side face the holder, put on the outer holders, and fasten the blade with the blade nut. (OPT2)

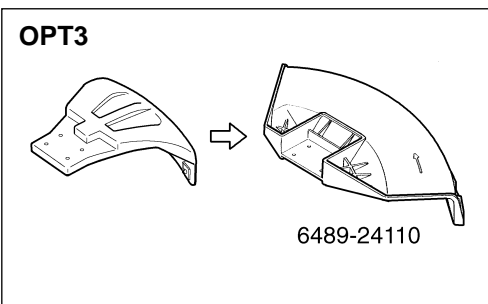
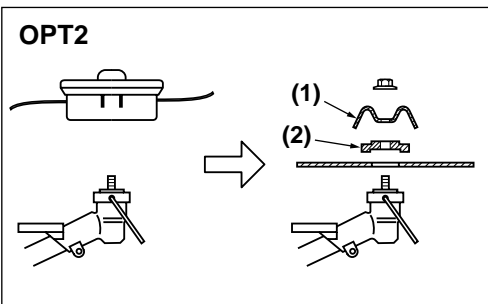
(1) Cover: 6420-13280

(2) Holder: 6019-13250

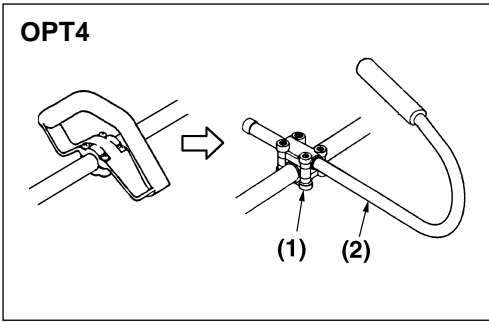
ⓘ IMPORTANT

Change to the debris guard which is suitable for the metal blade. (OPT3)

TIGHTENING TORQUE: 130~174 in-lbs
(14.7~19.6 N.m.)



11. Optional blade usage



⚠ IMPORTANT

Change the loop handle to the J-handle for safe operation. (OPT4)

(1) Bracket: 3583-14101

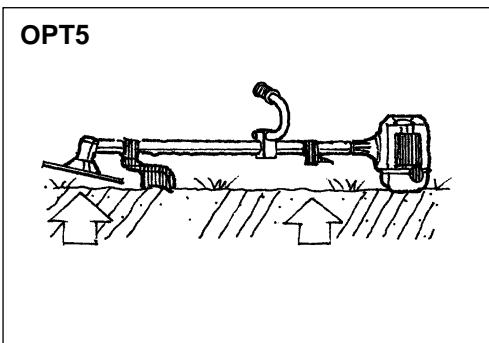
(2) J-handle: 6367-14200

■ STARTING THE ENGINE

Please refer 5.For safe operation (P.9~10), 8.Operation (P.17~18).

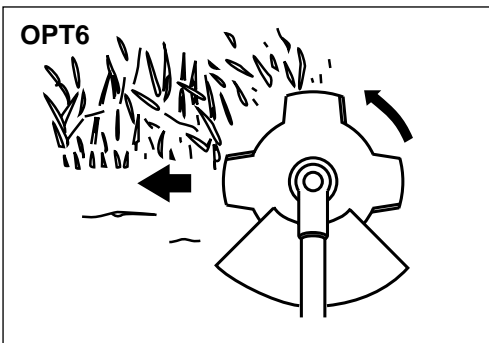
⚠ WARNING

- The product is equipped with a centrifugal clutch mechanism, so the cutting attachment begins to rotate as soon as the engine is started by putting the throttle into the start position. When starting the engine, place the product onto the ground in a flat clear area and hold it firmly in place so as to ensure that neither the cutting part nor the throttle come into contact with any obstacle when the engine starts. (OPT5)



■ CUTTING METHOD

- a) Use the front left side cutting.
- b) Guide the blade from your right to left with it tilted slightly to your left. (OPT6)
- c) When mowing a wide area, start working from your left end to avoid interference of cut grass.
- d) The blade may be seized by weeds if the engine speed is too low, or the blade cuts too deep into weeds. Adjust the engine speed and cutting depth according to the condition of object.



⚠ WARNING

- If the grass or other object gets caught in the blade, or if the unit starts to shake or vibrate, turn off the engine and check the whole unit. Change the blade if it has been damaged.
- Turn off the engine and make sure the blade has completely stop before checking the blade, and removing any object got caught in.

11. Optional blade usage

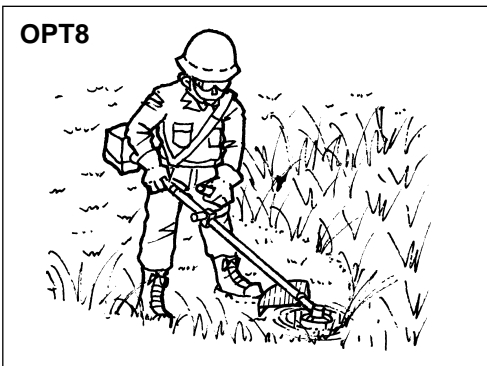


■ OPERATION

1. Check the bolt to fasten the blade and be sure the bolt has no fault, and no abrasion.
2. Be sure that the blade and the holder have been fastened according to instruction and the blade turns smoothly without abnormal noise. (OPT7)

▲ WARNING

- The rotating parts fastened incorrectly may cause serious accident to the operator.
- Make sure that the blade is not bent, warped, cracked, broken or damaged.
- If you find any error to the blade, discard it and change new one which is certified by RedMax.



- By using the shoulder strap, hang the unit on your right side. Adjust the strap length so that the cutting head may become parallel to the ground.(OPT8)

▲ WARNING

Make sure to use shoulder strap and debris guard. If not, it is vary dangerous when you slip or lose your balance.

▲ WARNING

■ CONTROLLING BLADE BOUNCE

- Kick out can cause serious personal injury. **Carefully study this section.** It is important that you understand what causes kick out, how you can reduce the chance of kick out and how you can remain in control of the unit if kick out does occur.

1. What causes kick out:

- Kick out can occur when the moving blade contacts an object that it cannot cut. This contact causes the blade to stop for an instant and then suddenly move or "bounce" away from the object that was hit. The operator can lose control of the unit and the blade can cause serious personal injury to the operator or any person nearby if the blade contacts any part of the body.

11. *Optional blade usage*

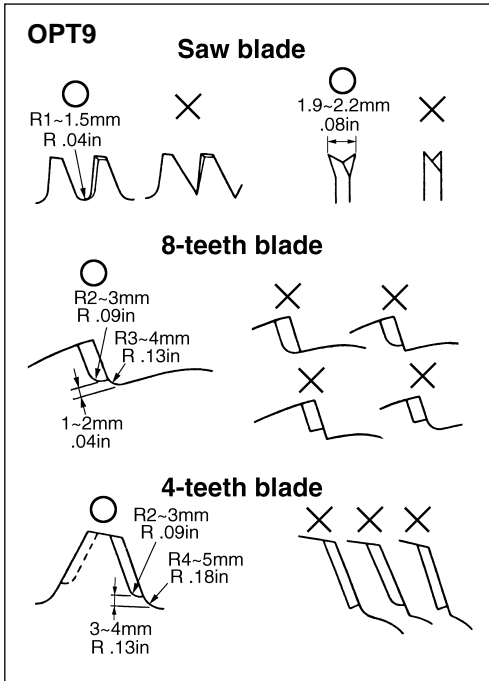
2. **How you can reduce the chance of kick out:**

- a. Recognize that kick out can happen. By understanding and knowing about bounce, you can help eliminate the element of surprise.
- b. **Cut fibrous weeds and grass only.** Do not let the blade contact materials it cannot cut such as hard, woody vines and brush or rocks, fences, metal, etc
- c. Be extra prepared for bounce if you must cut where you cannot see the blade making contact such as in areas of dense growth.
- d. **Keep the blade sharp.** A dull blade increase the chance of bounce.
- e. Avoid feeding the blade too rapidly. The blade can bounce away from material being cut if the blade is fed faster than its cutting capability.
- f. Cut only from your right to your left.
- g. Keep your path of advance clear of material that has been cut and other debris.

3. **How you can maintain the best control:**

- a. Keep a good, firm grip on the unit with both hands. A firm grip can help neutralize bounce. Keep your right and left hands completely around the respective handles.
- b. Keep both feet spread apart in a comfortable stance and yet braced for the possibility that the unit could bounce. Do not overreach. Keep firm footing and balance.

11. Optional blade usage



■ MAINTENANCE BLADE

- Check the blade and the fasteners for looseness, cracking, or bending.
- Check the cutting edges and reform with a flat file.

Point (OPT9) :

1. Keep the end corner sharp.
2. Round the root of the edge, using round file.
3. Do not use water when using a grinder.

❗ IMPORTANT

- It is recommended that filing should be done by professionals.
- Especially regarding filing the saw blade, Leave it to the professionals.

■ TRANSPORTING THE UNIT

- When you finish cutting in one location and wish to continue work in another spot, turn off the engine, and lift up the unit and carry it paying attention to the blade.
- Never forget to place the protective cover over the blades.
- When transporting the unit over long distances, detach the blade fix the unit by ropes.

12. Troubleshooting guide

PROBLEM	CAUSE	ACTION
Engine will not start.	On/Off Stop Control is in the STOP position. Empty fuel tank. Primer bulb wasn't pressed enough. Engine flooded. Old Fuel. Fouled spark plug.	Turn On/Off Stop Control to the START position. Fill fuel tank. Press primer bulb fully and slowly 5 – 7 time. Use starting procedure WITHOUT choke lever in the START position. Drain fuel tank/Add fresh fuel. Replace or clean spark plug.
Engine will not idle.	Air Filter is Plugged. Old Fuel.	Replace or clean air filter. Drain fuel tank/Add fresh fuel.
Engine will not accelerate.	Old Fuel. Carburetor misadjusted. Cutting head bound with grass.	Drain fuel tank/Add fresh fuel. Adjust carburetor. Stop engine and clean cutting head.
Engine lacks power to stalls when cutting.	Dirty air filter. Old Fuel. Cutting head bound with grass. Combustion chamber, Muffler or spark arrestor plugged.	Clean or replace air filter. Drain fuel tank/Add fresh fuel. Stop engine and clean cutting head. Clean or replace cylinder head muffler/spark arrestor (contact authorized service dealer).
Engine rope is difficult to pull or engine locks.	Unit operated low or no oil. Oil accumulated in combustion chamber	Check oil level before starting. 1.Remove spark plug. 2.Drain any oil from the spark plug hole. 3.Pull the starter rope several times to remove any excess oil from the cylinder. 4.Clean, inspect and reinstall spark plug, replace if necessary. 5.Check oil level before starting.
Cutting head will not advance line.	Cutting head out of line. Inner reel bound up. Cutting head dirty. Line welded. Line twisted when refilled. Not enough line is exposed.	Refill with new line. Replace inner reel. Clean inner reel and outer spool. Disassemble, remove the welded section and rewind the line. Disassemble and rewind line. Push the Bump Knob and pull out line until 4 in (102 mm) of line is outside of the cutting head.

If further assistance is required, contact your authorized service dealer.

13. Parts list

BRUSHCUTTERS

BCX2600S

NOTE :

1. Use KOMATSU ZENOAH genuine parts as specified in the parts list for repair and/or replacement.
2. KOMATSU ZENOAH does not warrant the machines, which have been damaged by the use of any parts other than those specified by the company.
3. When placing parts orders for repair and/or replacement, check if the model name and the serial number are applicable to those specified in the parts list, then use parts number described in the parts list.
4. The contents described in the parts list may change due to improvement.
5. The parts for the machine shall be supplied seven (7) years after the machine is discontinued. [It is possible that some specific parts may be subject to change of their delivery term and list price within the limit of ten (7) years after the machine is discontinued. It is also possible that some parts may be available even after the limit of seven (7) years.]

APPLICABLE SERIAL NUMBERS :

Oct.1999

DRIVE UNIT 900101 and up

ENGINE UNIT 900101 and up

13. Parts list

Fig.1 CUTTER GROUP BCX2600S

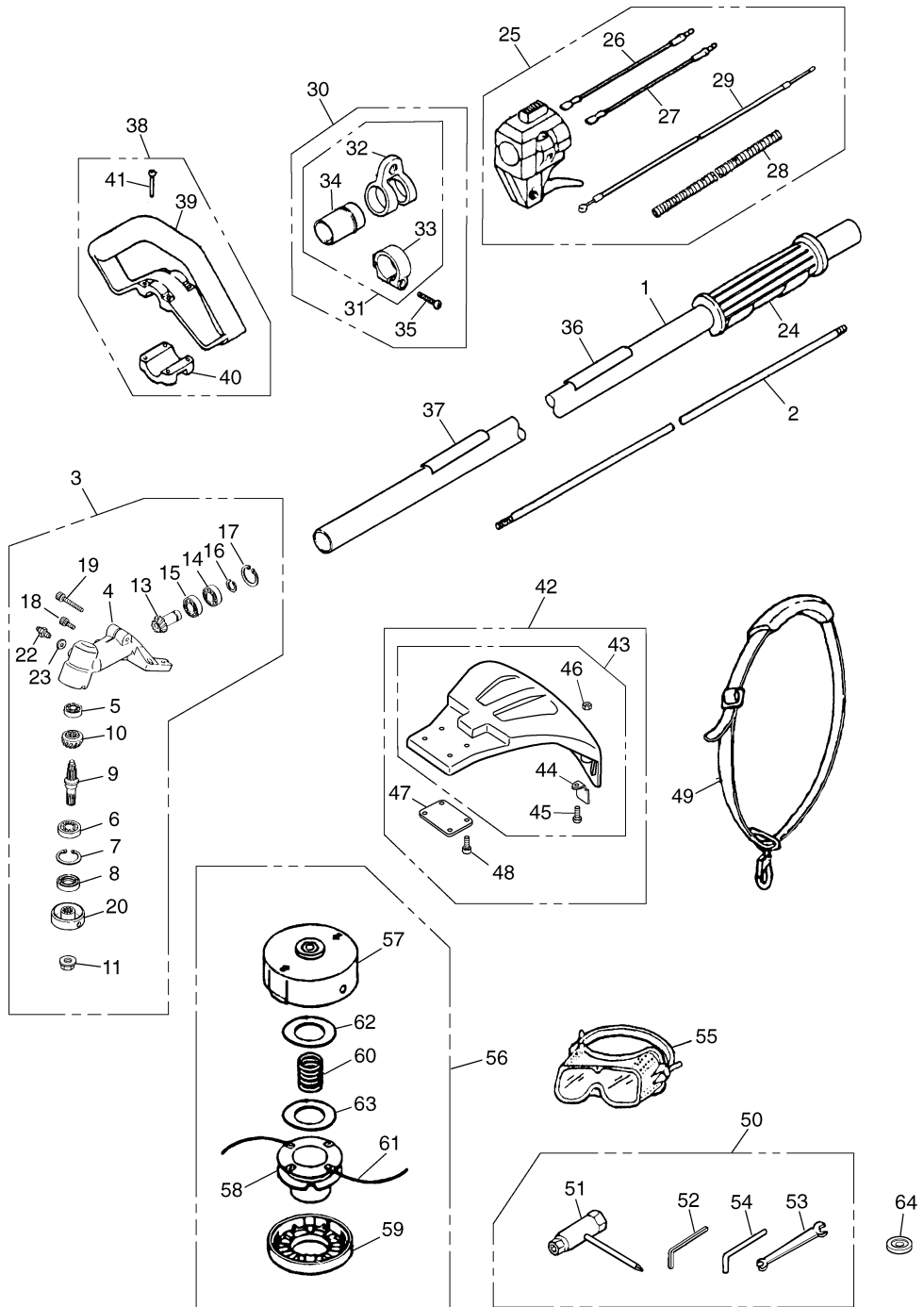


Fig.1 CUTTER GROUP BCX2600S

Key#	Description	Part Number	Q'ty	Key#	Description	Part Number	Q'ty
1	PIPE-COMP	T3002-12100	1	51	• SOCKET	T3002-91310	1
2	SHAFT	3520-12212	1	52	• WRENCH	09007-00425	1
3	GEARCASE-ASSY	T3002-13001	1	53	• SPANNER	3540-91120	1
4	• GEARCASE	6489-13110	1	54	• BAR	3540-91110	1
5	• BEARING	06000-00626	1	55	GOGGLE	T3002-91190	1
6	• BEARING	06000-06000	1	56	TAP. HEAD 4"	PT104	1
7	• RING	04065-02612	1	57	• CASE	6460-15113	1
8	• SEAL	3565-13130	1	58	• CORD HOLDER	6460-15142	1
9	• SHAFT	T3002-13210	1	59	• COVER	6460-15131	1
10	• GEAR	6440-13220	1	60	• SPRING	6041-99162	1
11	• NUT	T3002-13260	1	61	• TRIMMER LINE	6460-15180	1
—	—	—	1	62	• PLATE, large	3268-15150	1
13	• PINION	T3002-13310	1	63	• PLATE, small	3268-15170	1
14	• BEARING	06001-00609	1	64	HOLDER (B)	6019-13250	1
15	• BEARING	06000-00609	1				
16	• RING	3210-13330	1				
17	• RING	04065-02412	1				
18	• BOLT	01252-30510	1				
19	• BOLT	3350-21320	1				
20	• HOLDER (A)	6440-13242	1				
—	—	—	1				
22	• FITTING, grease	3199-13350	1				
23	• WASHER	01641-20608	1				
24	GRIP	3577-32141	1				
25	LEVER-COMP	T3032-12200	1				
26	• CORD (A)	T3002-12220	1				
27	• CORD (B)	T3002-12230	1				
28	• TUBE	T3002-12240	1				
29	• CABLE	T3002-83100	1				
30	HANGER-ASSY	6420-17300	1				
31	• HANGER-COMP	6420-17400	1				
32	•• HANGER	9366-17110	1				
33	•• CLAMP	9366-17120	1				
34	•• SLEEVE	6420-17410	1				
35	• SCREW	00263-90525	1				
36	PLATE-NAME	T3032-12510	1				
37	PLATE	6425-12552	1				
38	HANDLE-ASSY	6420-14100	1				
39	• HANDLE	6420-14311	1				
40	• CLAMP	6420-14320	1				
41	• SCREW	00263-90535	4				
42	GUARD-ASSY	T3002-24001	1				
43	• GUARD COMP	T3002-24101	1				
44	•• BLADE	T3002-24121	1				
45	•• SCREW	00263-90516	1				
46	•• NUT	3320-15310	1				
47	• PLATE	6489-24120	1				
48	• BOLT	01252-30514	4				
49	STRAP-ASSY	T3002-17200	1				
50	TOOL-SET	T3002-91000	1				

Fig.2 ENGINE GROUP BCX2600S

Key#	Description	Part Number	Q'ty	Key#	Description	Part Number	Q'ty
1	HEAD&BOX	182141	1	67	SCREW	181012	2
2	VALVE	181040	2	68	CAM GEAR-A	182124	1
3	SPRING VALVE	181038	2	69	ROTOR	182113	1
4	RETAINER, valve spring	182103	2	70	COIL-A	182108	1
5	NUT	181034	4	71	SCREW, coil	181066	2
6	WASHER	181035	4	72	CAP-COVER	182293	1
7	COVER, valve	182098	1	73	PLUG, spark	180852	1
8	GASKET, valve cover	182099	1	74	CORD(A)	2063-72310	1
9	SCREW	181025	1	75	CORD(B)	2063-72320	1
10	CYLINDER	182132	1	76	RECOIL-A & SCREW	182117	1
11	GASKET, base	181004	1	77	•• REEL	181738	1
12	GASKET, head	181001	1	78	•• SPRING	181739	1
13	O-RING,push rod	181000	2	79	•• SCREW	181740	1
14	SCREW	181003	2	80	•• WASHER	181741	1
15	INSULATOR	182109	1	81	•• ROPE	181742	1
16	GASKET, insulator	182131	1	82	•• KNOB	181079	1
17	GASKET CARB	182270	1	83	PULLEY-A	182118	1
18	SCREW	182105	2	84	•• RATCHET	181745	1
19	MUFFLER-A	182106	1	85	•• SPRING	181746	1
20	•• ARRESTER	182153	1	86	•• RING, snap	181747	1
21	•• CLIP	2062-15150	1	87	SCREW	182143	4
22	SCREW	182105	2	88	CARBURETOR-A	182110	1
23	SCREW	181020	1	89	• REBUILT-KIT	2062-95190	1
24	GASKET,muffler	182107	1	90	•• VALVE, inlet needle	_____	1
25	CASE-C & GASKET	182140	1	91	•• SCREEN, fuel inlet	_____	1
26	BEARING(F)	182134	1	92	•• LEVER, metering	_____	1
27	SEAL(F)	182127	2	93	• GASKET KIT	2062-95210	1
28	SEAL(S)	182142	1	94	•• GASKET, metering diaphragm	_____	1
29	GASKET, case	182136	1	95	•• GASKET, pump	_____	1
30	SNAP RING	182128	1	96	• DIAPHRAGM, pump	_____	1
31	SCREW	182147	6	97	•• DIAPHRAGM ASS'Y, metering	_____	1
32	STUD	181011	2	98	• BODY ASSEMBLY, pump	2062-81450	1
33	STUD	181010	2	99	• COVER, metering diaphragm	2062-81520	1
34	ELBOW	182135	1	100	• SWIVEL-A	2062-81150	1
35	PLUG & O-RING	182289	1	101	•• RING, spring retaining	_____	1
36	HOUSING-A	182298	1	102	•• SWIVEL	_____	1
37	•• DRUM	2063-31120	1	103	• SCREW, idle adjust	1751-81310	1
38	•• BRACKET(A)	6470-31211	1	104	• SCREW, cover	1065-81530	4
39	•• BRACKET(B)	6470-31221	1	105	• SCREW, collar throttle	5850-81110	2
40	•• CUSHION	6470-31230	1	106	• SCREW, metering lever pin	1850-81220	1
41	•• BOLT	01252-60530	2	107	• SPRING, metering lever	1850-81270	1
42	•• BOLT	01252-30514	1	108	• JET MAIN KIT	2062-81280	1
43	COVER ENGINE	182288	1	109	•• JET	_____	1
44	SCREW	181003	4	110	•• O-RING	_____	1
45	SCREW	181764	2	111	• PIN, metering lever	3310-81250	1
46	SCREW	182146	1	112	• SPRING, diaphragm pump	2062-81430	1
47	GROMMET	182157	1	113	BRACKET	182112	1
48	PISTON, machined	182300	1	114	SCREW	182133	2
49	RING, set	182295	1	115	PUMP & PIPE	181054	1
50	PIN, piston	181006	1	116	CLEANER-A	182111	1
51	BUTTON	182287	2				
52	SHAFT & CEAR	182266	1	118	• ELEMENT, cleaner	182116	1
53	NUT	182301	1	119	O-RING	181751	1
54	SHOE-C	182296	1	120	HOSE, breather	182096	1
55	• SPRING	1600-51223	1	121	BREATH-A	182097	1
56	WASHER, plane	182303	2	122	NET	182294	1
57	WASHER, spring	182304	2	123	• TANK	182291	1
58	SCREW	182305	2	124	• FILTER-A & RETURN	182299	1
59	SPACER	182297	2	125	• CAP-A	182267	1
60	DISK	182302	1	126	SCREW	182144	3
61	ROCKER ARM	182100	2	127	LABEL, recoil	182322	1
62	PIVOT, rocker arm	182101	2	128	LABEL, housing	182324	1
63	NUT	181030	2	129	LABEL, cleaner	182323	1
64	ROD, push	181033	2				
65	FOLLOWER, cam	182123	2				
66	CAM BRACKET-A	181013	1				

CALIFORNIA EMISSION CONTROL WARRANTY STATEMENT
YOUR WARRANTY RIGHTS AND OBLIGATIONS

The California Air Resources Board and KOMATSU ZENOAH are pleased to explain the **emission control system warranty** on your **1995 and later** small off-road engine. In California, new small off-road engines must be designed, built and equipped to meet the state's stringent anti-smog standards. KOMATSU ZENOAH must warrant the emission control system on your small off-road engine for the periods of time listed below provided there has been no abuse, neglect or improper maintenance of your small off-road engine.

Your emission control system may include parts such as the carburetor and the ignition system.

Where a warrantable condition exists, KOMATSU ZENOAH will repair your small off-road engine at no cost to you including diagnosis, parts and labor.

Manufacturer's warranty coverage:

The 1995 and later small off-road engines are warranted for **two years**. If any emission-related part on your engine is defective, the part will be repaired or replaced by KOMATSU ZENOAH.

Owner's warranty responsibilities:

– As the small off-road engine owner, you are responsible for the performance of the **required maintenance listed in your owner's manual**. KOMATSU ZENOAH recommends that you retain all receipts covering maintenance on your small off-road engine, but KOMATSU ZENOAH can not deny warranty solely for the lack of receipts or for your failure to ensure the performance of all scheduled maintenance.

– As the small off-road engine owner, you should be aware, however, that KOMATSU ZENOAH may deny you warranty coverage if your small off-road engine or a part has failed due to abuse, neglect, improper maintenance or unapproved modification.

– You are responsible for presenting your small off-road engine to a KOMATSU ZENOAH distribution center as soon as a problem exists. The warranty repairs should be completed in a reasonable amount of time, not to exceed **30 days**.

If you have any questions regarding your warranty rights and responsibilities, you should contact KOMATSU ZENOAH AMERICA INC. at (770)-381-5147 or you can write to

KOMATSU ZENOAH AMERICA INC.
4344 Shackleford Road Suite 500
Norcross, Georgia 30093

**RedMax TRIMMER/BRUSHCUTTER
MODEL BCX2600S
2-YEAR LIMITED WARRANTY**

EMISSION-RELATED PARTS, FOR TWO (2) YEARS FROM THE DATE OF ORIGINAL DELIVERY OF THE MODEL BCX2600S UNIT, KOMATSU ZENOAH AMERICA INC. (THE COMPANY), THROUGH ANY RedMax DEALER, WILL REPAIR OR REPLACE, FREE OF CHARGE, FOR THE ORIGINAL AND EACH SUBSEQUENT PURCHASER, ANY PART OR PARTS FOUND TO BE DEFECTIVE IN MATERIAL AND/OR WORKMANSHIP. EMISSION-RELATED PARTS ARE:

**THE CARBURETOR ASSY, COIL ASSY, ROTOR, SPARKPLUG,
AIR FILTER, FUEL FILTER, INTAKE MANIFOLD, AND THE GASKETS**

ALL OTHER PARTS EXCEPT ABOVE PARTS, FOR TWO (2) YEARS OF HOME USE [ONE (1) YEAR FOR ANY OTHER USE] FROM THE DATE OF ORIGINAL ANY DELIVERY OF THE MODEL BCX2600S UNIT, THE COMPANY, THROUGH ANY RedMax DEALER, WILL REPAIR OR REPLACE, FREE OF CHARGE, FOR THE ORIGINAL PURCHASER, ANY PART OF PARTS FOUND TO BE DEFECTIVE IN MATERIAL AND/OR WORKMANSHIP. **THIS IS THE EXCLUSIVE REMEDY.**

THE PURCHASER SHALL BEAR COSTS OF TRANSPORTING THE UNIT TO AND FROM THE RedMax DEALER.

THE PURCHASER SHALL NOT BE CHARGED FOR DIAGNOSTIC LABOR WHICH LEADS TO THE DETERMINATION THAT A WARRANTED PART IS DEFECTIVE, IF THE DIAGNOSTIC WORK IS PERFORMED AT THE RedMax DEALER.

THE PURCHASER OR OWNER IS RESPONSIBLE FOR THE PERFORMANCE OF THE REQUIRED MAINTENANCE AS DEFINED BY THE MANUFACTURER IN THE OWNER/OPERATOR MANUAL.

ANY WARRANTED PART WHICH IS NOT SCHEDULED FOR REPLACEMENT AS REQUIRED MAINTENANCE, OR WHICH IS SCHEDULED ONLY FOR REGULAR INSPECTION TO THE EFFECT OF "REPAIR OR REPLACE AS NECESSARY" SHALL BE WARRANTED FOR THE WARRANTY PERIOD. ANY WARRANTED PART WHICH IS SCHEDULED FOR REPLACEMENT AS REQUIRED MAINTENANCE SHALL BE WARRANTED FOR THE PERIOD OF TIME UP TO THE FIRST SCHEDULED REPLACEMENT POINT FOR THE PART.

ANY REPLACEMENT PART THAT IS EQUIVALENT IN PERFORMANCE AND DURABILITY MAY BE USED IN NON-WARRANTY MAINTENANCE OR REPAIRS, AND SHALL NOT REDUCE THE WARRANTY OBLIGATION OF THE COMPANY.

THE COMPANY IS LIABLE FOR DAMAGES TO OTHER ENGINE COMPONENTS CAUSED BY THE FAILURE OF A WARRANTED PARTS STILL UNDER WARRANTY.

THE WARRANTY DOES NOT APPLY TO THOSE UNITS WHICH HAVE BEEN DAMAGED BY NEGLIGENCE OF INSTRUCTION LISTED IN THE OWNER/OPERATOR MANUAL FOR PROPER USE AND MAINTENANCE OF THE UNITS, ACCIDENT MISHANDLING, ALTERATION, ABUSE, IMPROPER LUBRICATION, USE OF ANY PARTS OR ACCESSORIES OTHER THAN THOSE SPECIFIED BY THE COMPANY, OR OTHER CAUSES BEYOND THE COMPANY'S CONTROL.

THIS WARRANTY DOES NOT COVER THOSE PARTS REPLACED BY NORMAL WEAR OR HARMLESS CHANGES IN THEIR APPEARANCE.

THERE ARE NO OTHER EXPRESS WARRANTIES.

IMPLIED WARRANTIES INCLUDING THOSE OF MERCHANTABILITY AND FITNESS FOR A PARTICULAR PURPOSE **ARE LIMITED TO TWO (2) YEARS OF HOME USE [ONE (1) YEAR FOR ANY OTHER USE] FROM THE ORIGINAL DELIVERY DATE.**

LIABILITIES FOR INCIDENTAL OR CONSEQUENTIAL DAMAGE UNDER ANY AND ALL WARRANTIES ARE EXCLUDED.

SOME STATES DO NOT ALLOW LIMITATION ON HOW LONG AN IMPLIED WARRANTY LASTS OR EXCLUSION OR LIMITATION OF INCIDENTAL OR CONSEQUENTIAL DAMAGES, SO THE ABOVE LIMITATION OR EXCLUSION MAY NOT APPLY TO YOU.

THIS WARRANTY GIVES YOU SPECIFIC LEGAL RIGHTS, AND YOU MAY ALSO HAVE OTHER RIGHTS WHICH VARY FROM STATE TO STATE.

IF YOU NEED TO OBTAIN INFORMATION ABOUT THE NEAREST SERVICE CENTER, PLEASE CALL KOMATSU ZENOAH AMERICA INC. AT (770)-381-5147.

IMPORTANT: YOU WILL RECEIVE A WARRANTY REGISTRATION CARD AT TIME OF PURCHASE. PLEASE FILL OUT THE CARD AND SEND IT TO RedMax / KOMATSU ZENOAH AMERICA WITHIN SEVEN (7) DAYS. BE SURE TO KEEP A COPY FOR YOUR RECORDS.



KOMATSU ZENOAH AMERICA INC.
4344 Shackelford Road Suite 500
Norcross, Georgia 30093

RedMax TRIMMER/BRUSHCUTTER

Modèle BCX2600S

Garantie limitée à 2 ans

Pièces en rapport avec les émissions de gaz d'échappement : KOMATSU ZENOAH AMERICA INC., par l'intermédiaire de n'importe quel revendeur RedMax, réparera gratuitement ou remplacera gratuitement pour l'acheteur initial et chaque acheteur successif toute(s) pièce(s) se révélant de constitution et/ou de montage défectueux pendant deux (2) ans à compter de la date initiale de livraison d'une unité du modèle BCX2600S. Les pièces en rapport avec les émissions de gaz d'échappement sont:

l'assemblage carburateur, l'assemblage bobine, le rotor, la bougie, le filtre à air, le filtre à carburant, la tubulure d'admission et les joints

Toutes autres pièces exceptées celles mentionnées ci-dessus : La société, par l'intermédiaire de n'importe quel revendeur RedMax, réparera gratuitement ou remplacera gratuitement pour l'acheteur initial toute(s) pièce (s) se révélant de constitution et/ou de montage défectueux pendant deux (2) ans en cas d'utilisation privée [un (1) an pour toute autre utilisation] à compter de la date de livraison initiale d'une unité du modèle BCX2600S. **Telles sont les limites de la garantie.**

Le coût du transport de l'unité jusqu'au revendeur RedMax et depuis celui-ci sera à la charge de l'acheteur.

L'acheteur ne supportera pas le coût de main d'œuvre du diagnostic qui amène à la conclusion qu'une pièce garantie est défectueuse, si ce diagnostic est effectué chez le revendeur RedMax.

L'acheteur ou propriétaire a pour responsabilité d'effectuer l'entretien obligatoire tel que défini par le fabricant dans le manuel du propriétaire/de l'utilisateur.

Toute pièce garantie dont le remplacement n'est pas prévu dans le cadre de l'entretien obligatoire, ou pour laquelle est seulement prévue une inspection périodique pour "remplacement ou réparation si nécessaire" sera garantie pour la période de garantie. Toute pièce garantie arrivée à l'échéance de son premier remplacement prévu sera garantie jusqu'à celui-ci.

Toute pièce de rechange équivalente en performance ou en durabilité peut être utilisée pour l'entretien hors-garantie ou les réparations hors-garantie, et ce sans réduire l'obligation de garantie incombant à la société.

La société sera tenue responsable des dommages aux autres composants du moteur causés par la défaillance de pièce(s) garantie(s) en période de garantie.

La garantie ne s'applique pas aux unités endommagées par suite de: négligence dans la mise en oeuvre des instructions spécifiées dans le manuel du propriétaire/de l'utilisateur en vue d'une utilisation et d'un entretien correct, fausse manœuvre accidentelle, modification, utilisation abusive, lubrification incorrecte, utilisation de pièces ou d'accessoires autres que ceux spécifiés par la société, ou autres causes hors du contrôle de la société.

Cette garantie ne couvre pas les pièces remplacées en raison de leur usure normale ou de changements d'apparence sans effets.

Il n'existe aucune autre garantie explicite.

Les garanties implicites, celles de négociabilité du produit et de son adaptabilité à un usage défini incluses, **sont limitées** à deux (2) ans pour un usage privé [un (1) an pour toute autre utilisation] à compter de la date initiale de livraison.

Les responsabilités pour les dommages conséquents ou incidents sont exclues de toutes les garanties.

Certaines provinces n'autorisant pas les limitations à la durée des garanties implicites, ou les exclusions ou limitations relatives aux dommages incidents ou conséquents, la limitation indiquée ci-dessus peut ne pas vous être applicable.

Cette garantie vous donne des droits juridiques spécifiques, et vous pouvez également jouir d'autres droits variant d'une province à l'autre.

Si vous désirez obtenir des informations sur le centre de service le plus proche, veuillez appeler KOMATSU ZENOAH AMERICA INC. au (770)-381-5147

Note importante: vous recevrez une carte d'enregistrement de garantie au moment de l'achat. Veuillez la remplir et l'adresser à RedMax / KOMATSU ZENOAH AMERICA sous sept (7) jours en prenant soin de conserver une copie pour vous.



KOMATSU ZENOAH AMERICA INC.
4344 Shackelford Road Suite 500
Norcross, Georgia 30093