

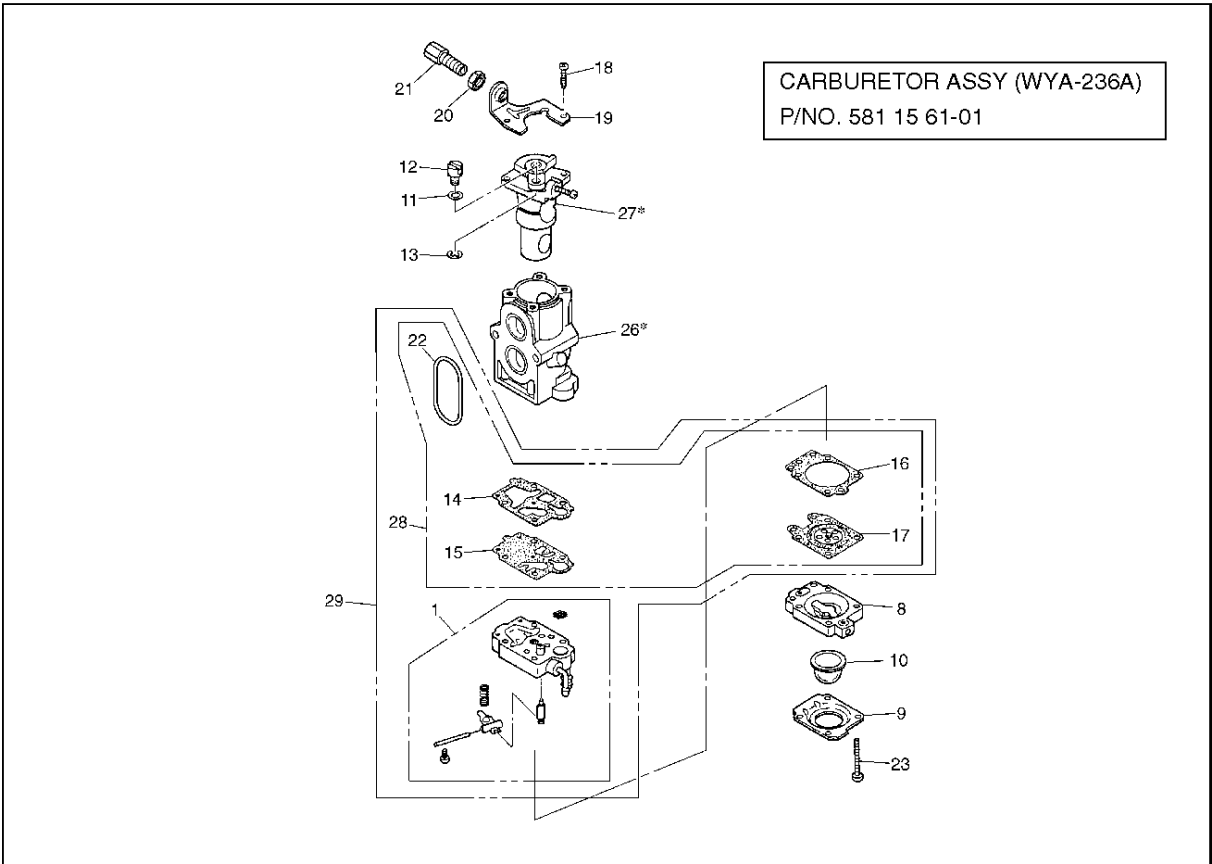


SPARE PARTS LIST

BLOWERS

EBZ7500, SN01200101 AND UP, 2014-04

Fig.3 CARBURETOR COMPONENTS



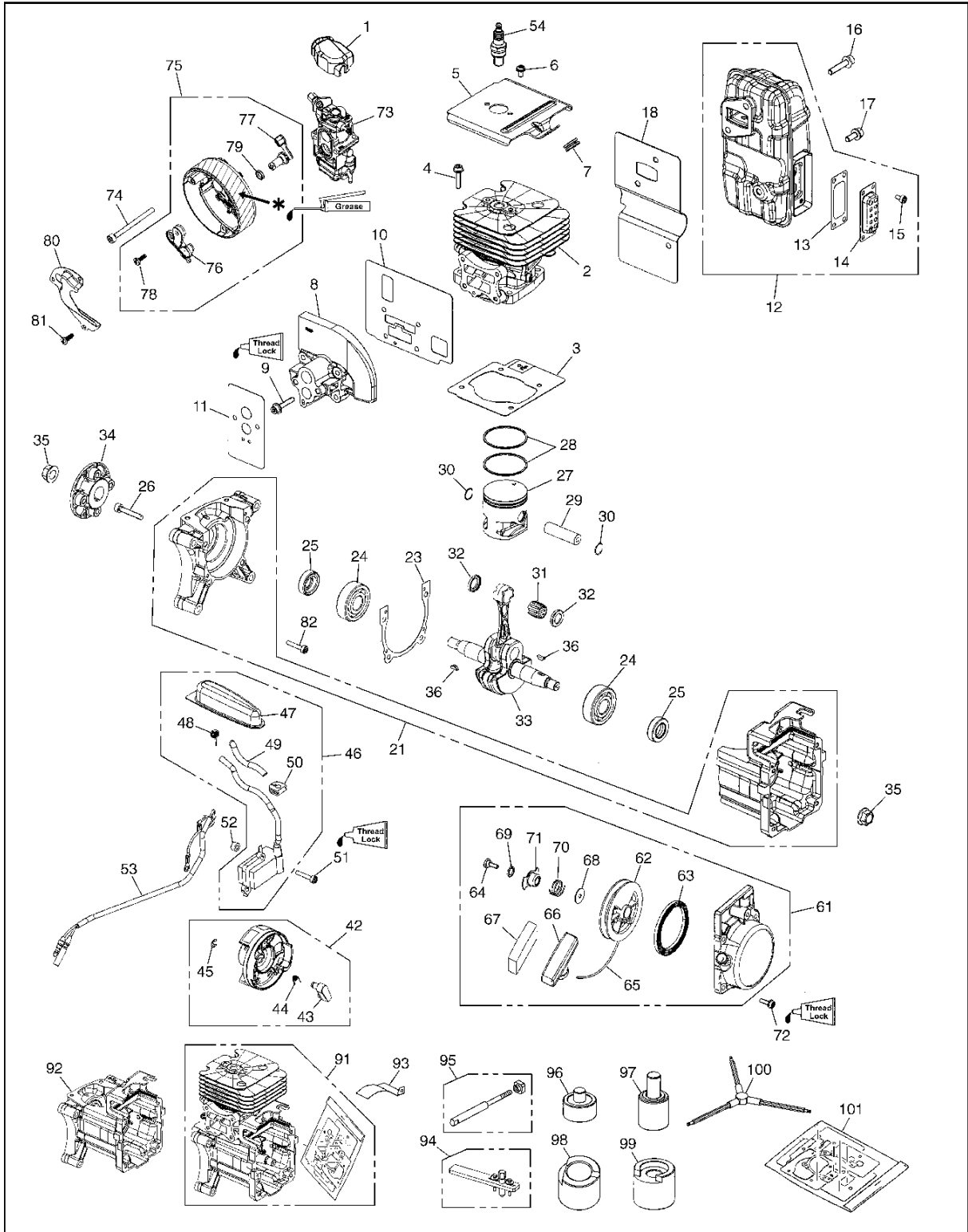
CARBURETOR DETAILS

EBZ7500, SN01200101 AND UP, 2014-04

Ref	Part No	Description	Remark	QTY KIT
1	544 36 35-01	BODY CARBURETTOR		1
8	506 74 09-01	BODY		1
9	506 74 10-01	COVER		1
10	505 30 67-01	PUMP		1
11	506 74 61-01	WASHER		1
12	506 74 12-01	SWIVEL		1
13	506 73 86-01	RING		1
14	506 74 51-01	GASKET		1
15	506 68 98-01	DIAPHRAGM		1
16	506 74 08-01	GASKET		1
17	505 30 68-01	DIAPHRAGM		1
18	505 30 79-01	SCREW		2
19	506 74 60-01	BRACKET		1
20	506 61 26-01	NUT		1
21	506 74 13-01	SCREW		1
22	521 63 15-01	RING		1
23	506 74 11-01	SCREW		4
26	581 15 61-01	CARBURETTOR		1
27	581 15 61-01	CARBURETTOR		1
28	511 45 95-01	GASKET KIT		1
29	511 45 96-01	REBUILD KIT		1

EBZ7500

Fig.2 ENGINE GROUP



*:Apply grease "NLGI Grade 2 lithium lubricant" to the choke cup and air cleaner hose.

ENGINE

EBZ7500, SN01200101 AND UP, 2014-04

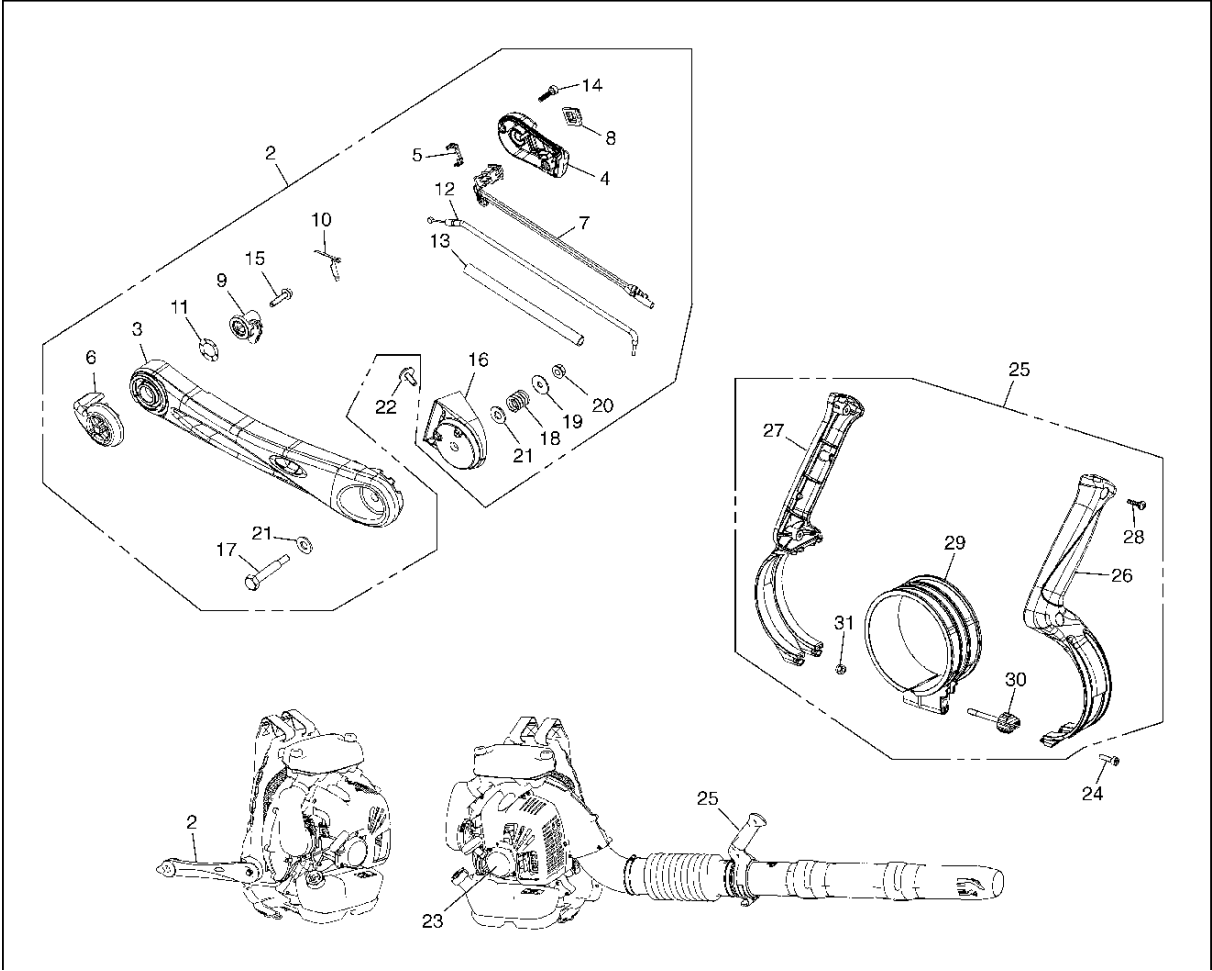
Ref	Part No	Description	Remark	QTY KIT
1	506 74 42-01	COVER		1
2	577 25 73-01	CYLINDER ASSY		1
3	576 58 94-01	GASKET		1
4	506 74 52-01	BOLT		4
5	576 58 95-01	PLATE		1
6	544 25 68-01	SCREW		2
7	576 58 96-01	GROMMET		1
8	578 10 83-01	INSULATOR		1
9	576 58 98-01	BOLT		4
10	577 35 78-01	GASKET		1
11	577 08 96-01	GASKET		1
12	577 95 35-01	MUFFLER ASSY		1
13	576 59 05-01	SPARK ARRESTER		1
14	576 59 06-01	DIFFUSOR		1
15	544 36 27-01	BOLT		4
16	576 59 07-01	BOLT		2
17	576 59 08-01	BOLT		1
18	576 59 09-01	GASKET		1
21	576 59 11-01	CRANKCASE		1
23	576 59 16-01	GASKET		1
24	521 52 13-01	BEARING		2
25	521 52 19-01	SEAL		2
26	515 38 81-01	BOLT		4
27	544 25 92-01	PISTON		1
28	544 25 93-01	PISTON RING		2
29	544 25 94-01	PISTON PIN		1
30	521 53 19-01	SNAP RING		2
31	576 69 64-01	BEARING		1
32	521 52 05-01	WASHER		2
33	576 59 19-01	CRANKSHAFT		1
34	576 59 27-01	COUPLING		1
35	513 24 19-01	NUT		2
36	506 68 94-01	KEY		2
42	587 65 51-01	ROTOR		1
43	587 65 50-01	RATCHET		2
44	587 65 49-01	SPRING		2
45	587 65 48-01	RING		2
46	587 65 45-01	COIL		1
47	587 65 42-01	SPARK PLUG CAP		1
48	506 65 52-01	SPRING		1
49	587 65 44-01	TUBE		1
50	515 41 53-01	GROMMET		1
51	579 38 30-01	BOLT		2
52	588 17 14-01	SPACER		2
53	576 59 38-01	CORD		1
54	521 23 34-01	SPARK PLUG		1
61	576 59 40-01	STARTER ASSY		1
62	576 59 42-01	REEL		1
63	521 62 96-01	SPRING		1
64	515 36 71-01	SCREW		1
65	577 05 31-01	ROPE		1
66	521 63 00-01	KNOB		1
67	521 63 13-01	COVER		1
68	521 63 08-01	WASHER		1
69	521 63 12-01	WASHER		1
70	521 63 06-01	SPRING		1
71	521 63 03-01	PLATE		1
72	506 74 56-01	BOLT		4
73	581 15 61-01	CARBURETTOR		1
74	515 39 07-01	BOLT		2
75	576 59 45-01	CUP		1
76	576 59 47-01	PLATE		1
77	576 59 48-01	LEVER		1
78	506 67 38-01	SCREW		1

ENGINE

EBZ7500, SN01200101 AND UP, 2014-04

Ref	Part No	Description	Remark	QTY KIT
79	516 13 60-01	O-RING		1
80	576 59 49-01	PLATE		1
81	506 67 38-01	SCREW		3
82	576 56 43-01	BOLT		4
91	577 08 36-01	SHORT BLOCK		1
92	577 08 38-01	CRANKCASE		1
93	513 67 37-01	GAUGE		1
94	577 40 97-01	PULLER		1
95	513 18 12-01	SERVICE TOOLS		1
96	577 40 98-01	GUIDE		1
97	577 40 99-01	GUIDE		1
98	577 41 01-01	SUPPORT		1
99	577 41 00-01	GUIDE		1
100	513 79 51-01	WRENCH		1
101	577 08 37-01	GASKET		1

Fig.4 LEVER SET



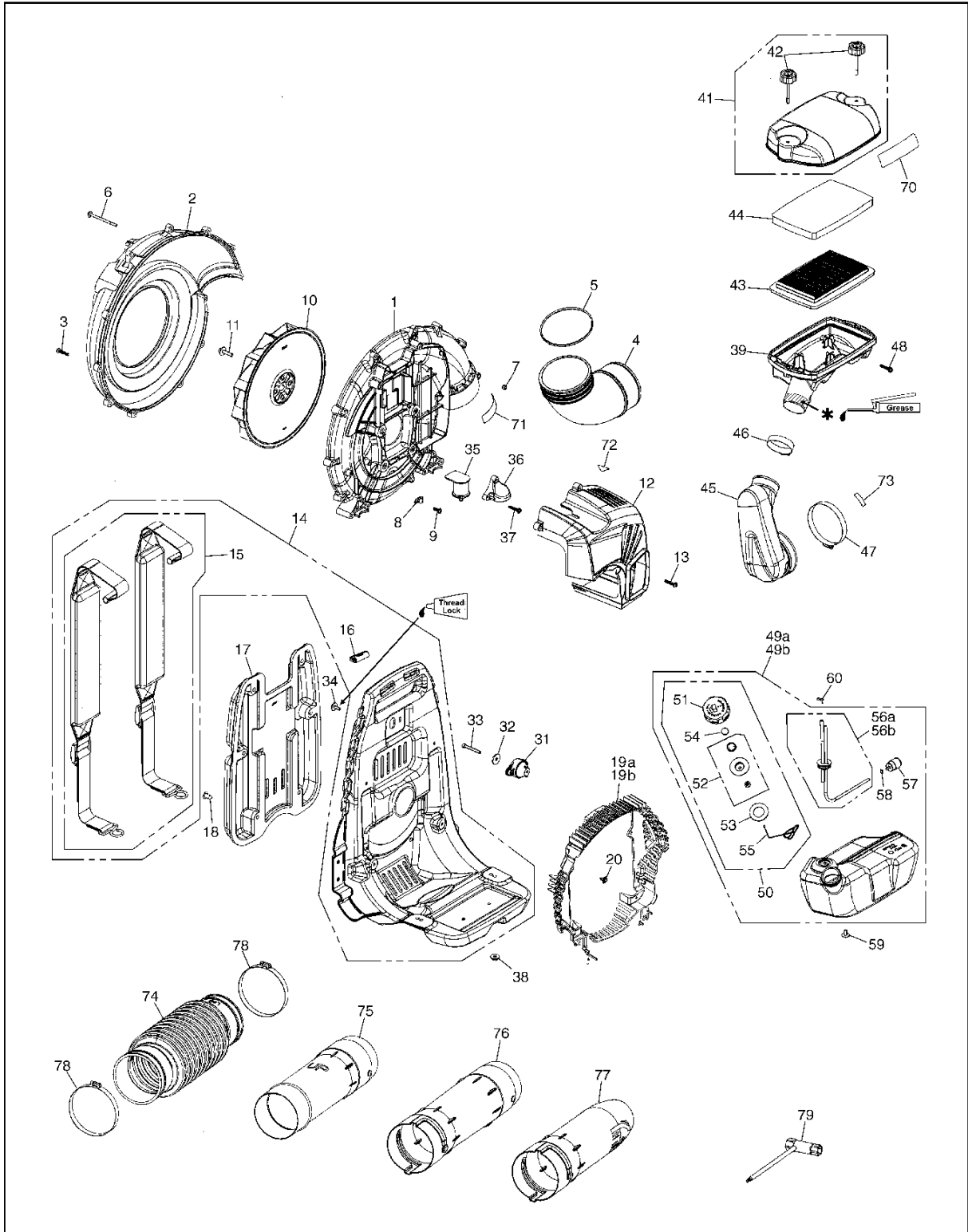
HANDLE & CONTROLS

EBZ7500, SN01200101 AND UP, 2014-04

Ref	Part No	Description	Remark	QTY KIT
2	576 56 24-01	LEVER	INCL 3 THRU 21	1
3	576 56 26-01	ARM		1
4	576 56 27-01	COVER		1
5	576 56 28-01	STOPPER		1
6	576 56 29-01	LEVER		1
7	576 56 30-01	SWITCH		1
8	513 35 19-01	HUB CAP		1
9	576 56 31-01	PLATE		1
10	576 56 32-01	PLATE		1
11	576 56 33-01	WASHER		1
12	576 56 34-01	CABLE		1
13	544 27 76-01	TUBE		1
14	576 56 35-01	BOLT		2
15	506 74 52-01	BOLT		1
16	576 56 36-01	BRACKET		1
17	514 33 62-01	BOLT		1
18	514 33 63-01	SPRING		1
19	514 33 65-01	WASHER		1
20	521 51 96-01	NUT		1
21	514 33 67-01	WASHER		2
22	544 27 08-01	SCREW		2
23	576 56 46-01	DECAL		1
24	506 74 57-01	BOLT		2
25	576 56 51-01	GRIP	INCL 26 THRU 31	1
26	576 56 52-01	GRIP		1
27	576 56 53-01	GRIP		1
28	521 51 77-01	SCREW		2
29	576 56 54-01	COLLAR		1
30	576 56 55-01	KNOB		1
31	514 18 39-01	NUT		1

EBZ7500

Fig.1 BLOWER GROUP



*:Apply grease "NLGI Grade 2 lithium lubricant" to the air cleaner body and hose.

HOUSING

EBZ7500, SN01200101 AND UP, 2014-04

Ref	Part No	Description	Remark	QTY KIT
1	576 56 12-01	VOLUTE		1
2	576 56 13-01	VOLUTE		1
3	512 84 81-01	SCREW		8
4	576 56 14-01	ELBOW		
5	505 17 98-01	O-RING		1
6	544 26 46-01	SCREW		2
7	514 18 39-01	NUT		2
8	521 52 51-01	CLAMP		2
9	512 84 79-01	SCREW		2
10	576 56 15-01	FAN		
11	576 56 16-01	BOLT		
12	576 56 17-01	ENGINE COVER		1
13	512 84 81-01	SCREW		5
14	576 56 18-01	FRAME		1
15	511 75 84-01	BAND		2
16	544 27 00-01	CLIP		2
17	576 56 20-01	PAD		1
18	526 47 67-01	CLIP		6
19a	576 56 21-01	NET		1
19b	579 65 95-01	NET		1
20	526 24 39-01	CLIP		4
31	513 66 67-01	DAMPER		1
32	502 85 05-01	WASHER		1
33	576 81 03-01	BOLT		1
34	544 27 08-01	SCREW		2
35	576 56 22-01	DAMPER		2
36	576 56 23-01	BRACKET		2
37	512 84 81-01	SCREW		6
38	513 66 75-01	NUT		2
39	576 56 37-01	BODY		1
41	576 56 38-01	COVER		1
42	544 27 14-01	KNOB BOLT		2
43	512 65 20-01	AIR FILTER		1
44	512 65 41-01	AIR FILTER		1
45	576 56 40-01	HOSE		1
46	544 27 19-01	CLAMP		1
47	544 27 40-01	CLAMP		1
48	512 84 81-01	SCREW		4
49a	576 56 41-01	TANK ASSY		
49b	579 14 00-01	TANK ASSY		1
50	504 11 77-01	TANK CAP ASSY		1
51	505 30 97-01	HUB CAP		1
52	515 36 94-01	HOLDER		1
53	506 74 43-01	PACKING		1
54	506 74 68-01	FILTER		1
55	504 11 79-01	HOLDER		1
56a	577 08 98-01	PIPE		1
56b	579 13 83-04	HOSE ASSY		1
57	506 74 26-01	FILTER		1
58	506 70 70-01	CLIP		1
59	577 62 88-01	SCREW		2
60	506 74 15-01	CLIP		1
70	576 56 44-01	DECAL		
71	577 08 34-01	DECAL		1
72	521 55 36-01	LABEL		1
73	521 74 02-01	LABEL		1
74	576 56 47-01	HOSE		1
75	576 56 48-01	PIPE		1
76	576 56 49-01	PIPE		1
77	576 56 50-01	PIPE		
78	544 27 41-01	CLAMP		2
79	521 53 30-01	SOCKET		1

Illustrated Parts List - IPL Update



Product Name(s)

EBZ7500/EBZ7500RH

Description of change

Change Magneto and its children parts.

Comments

Serial number below for Magneto change.

Introduced from

Serial number / Date	Remark
From # 20163800001/2016-9-22	966 62 43-01 EBZ7500
From # 2017040001/2017-1-17	966 70 99-01 EBZ7500-RH

IPL updates

Page Title	Ref. no	New part no	Name	Excl. part no.	Remark
ENGINE GROUP	42	587 65 51-01	ROTOR ASSY	576 59 30-01	
ENGINE GROUP	43	587 65 50-01	RATCHET	576 59 32-01	
ENGINE GROUP	44	587 65 49-01	SPRING	576 59 33-01	
ENGINE GROUP	45	587 65 48-01	RING	510 49 01-01	
ENGINE GROUP	46	587 65 45-01	COIL ASSY	577 96 98-01	
ENGINE GROUP	47	587 65 42-01	CAP,PLUG	576 59 36-01	
ENGINE GROUP	48	506 65 52-01	SPRING	513 24 33-01	
ENGINE GROUP	49	587 65 44-01	TUBE	578 25 84-01	
ENGINE GROUP	51	579 38 30-01	BOLT TORX	522 65 44-01	
ENGINE GROUP	52	588 17 14-01	SPACER	521 76 97-01	