



SPARE PARTS LIST

TRIMMERS/EDGERS

TRZ230S, 967194101, 2014-09

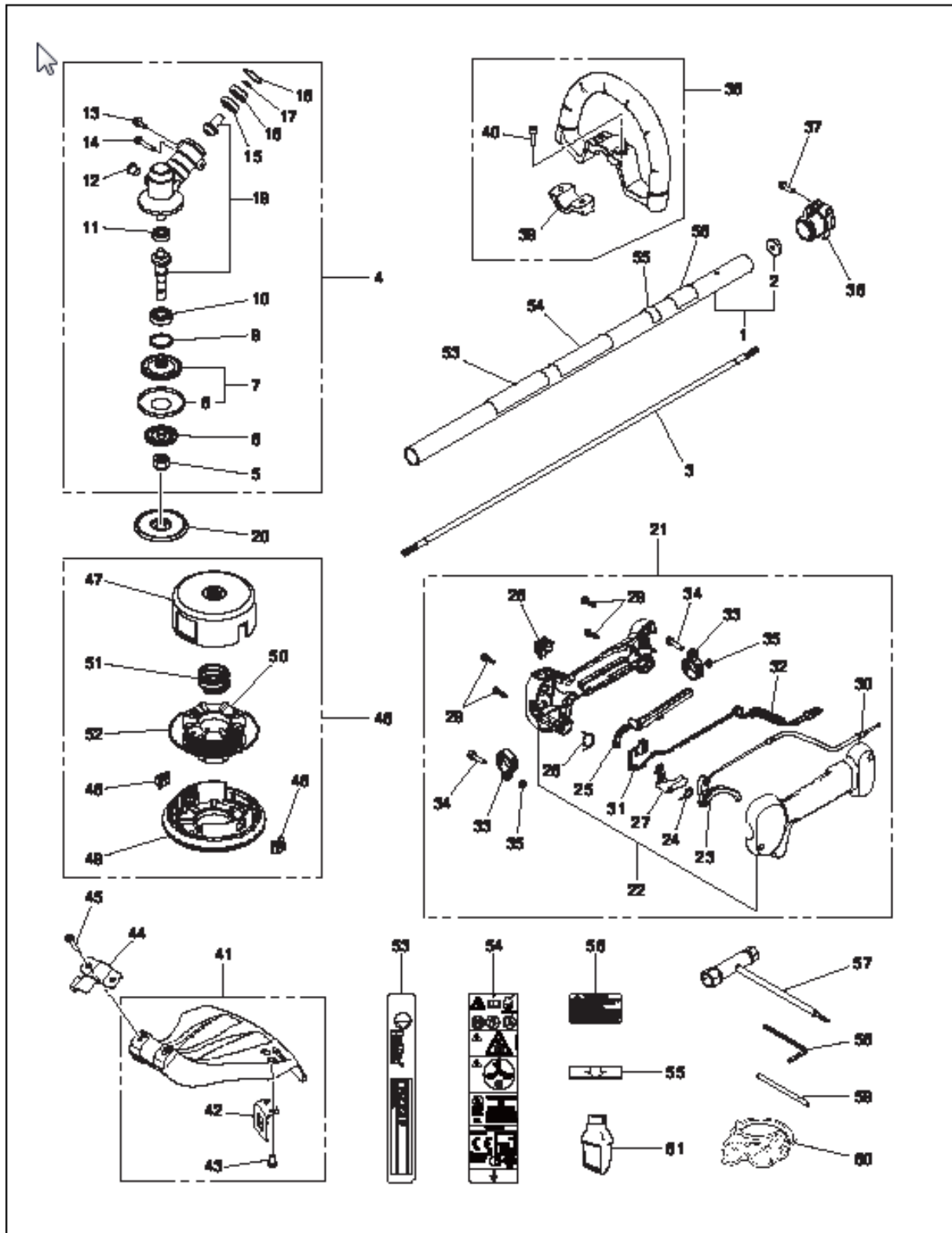
CARBURETOR DETAILS

TRZ230S, 967194101, 2014-09

Ref	Part No	Description	Remark	QTY KIT
1	586 70 08-01	CARBURETTOR		1
2	577 89 94-01	GASKET		1
3	577 89 95-01	DIAPHRAGM		1
4	577 89 99-01	GASKET		1
5	577 90 01-01	DIAPHRAGM		1
6	577 89 93-01	SCREW		1
7	577 89 96-01	VALVE		1
8	577 89 97-01	SCREW		3
10	577 90 00-01	COVER		1
11	578 39 02-01	LEVER		1
12	578 39 03-01	SCREW		1
13	579 63 18-01	SPRING		1
14	578 39 06-01	PEN		1
15	579 63 19-01	VALVE		1
16	577 90 03-01	STRAINER		1
17	577 90 04-01	E-RING		2
18	577 90 05-01	SCREW		4
19	577 90 06-01	SPRING		1
20	578 38 95-01	SHAFT		1
21	578 38 97-01	PLUG		1
22	578 38 98-01	PUMP		1
23	579 63 17-01	SCREW		1
24	585 31 89-01	VALVE		1
25	577 90 10-01	PLATE		1
26	577 90 11-01	GASKET		2
27	586 38 34-01	SWIVEL		1
28	577 90 14-01	SHAFT		1
29	577 90 15-01	BALL		1
30	577 90 16-01	SPRING		1
32	577 90 13-01	LEVER		1
33	576 78 55-01	CHOKE CONTROL		1
34	577 90 18-01	GASKET KIT		1

TRZ230S

Fig.1 DRIVE UNIT



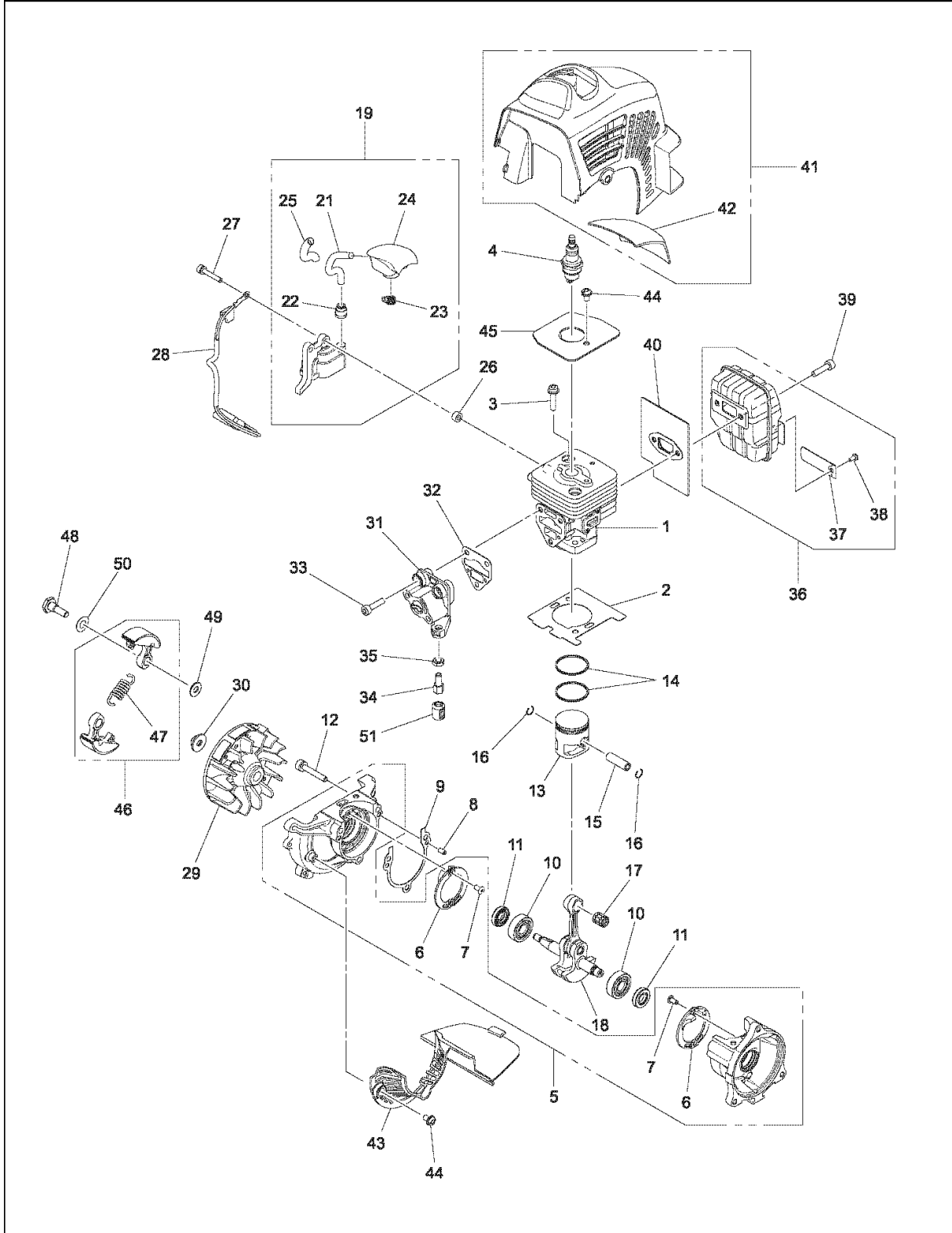
DRIVE

TRZ230S, 967194101, 2014-09

Ref	Part No	Description	Remark	QTY KIT
1	579 14 90-01	TUBE		1
2	521 82 54-01	SEAL		1
3	581 11 05-02	DRIVE SHAFT		1
4	537 19 92-02	BEVEL GEAR ASSY		1
5	503 85 63-01	NUT		1
6	537 28 56-01	SUPPORT FLANGE		1
7	537 23 49-01	DRIVER ASSY		1
8	537 29 26-01	CUP		1
9	735 31 28-10	CIRCLIP		1
10	503 25 24-01	BALL BEARING		1
11	738 21 98-00	BALL BEARING		1
12	503 20 15-02	SCREW IHHM		1
13	574 71 08-01	BOLT		1
14	503 20 07-25	SCREW IHSCFM		1
15	738 21 99-00	BALL BEARING		1
16	738 21 99-02	BALL BEARING		1
17	735 31 11-00	CIRCLIP		1
18	735 31 25-10	CIRCLIP		1
20	581 59 50-01	SPACER		1
21	581 55 57-02	GRIP		1
22	576 47 52-02	GRIP		1
23	529 25 88-01	LEVER,THROTTLE		1
24	529 25 96-01	SPRING,THROTTLE		1
25	578 77 80-01	LEVER		1
26	511 59 18-01	SPRING		1
27	529 25 92-01	LEVER,JOINT		1
28	586 24 68-01	STOP SWITCH		1
29	521 51 77-01	SCREW		4
30	581 55 58-02	CABLE		1
31	581 58 40-01	CORD		2
32	581 41 04-02	TUBE		1
33	529 25 94-01	BAND		2
34	504 11 43-01	SCREW		2
35	510 91 11-01	NUT		2
36	521 82 21-01	HANGER		1
37	521 51 53-01	SCREW		1
38	581 43 07-01	HANDLE LOOP		1
39	576 46 38-01	CLAMP		1
40	521 86 31-01	SCREW		2
41	578 40 36-01	GUARD		1
42	574 39 56-01	BLADE		1
43	502 84 39-01	SCREW		2
44	581 59 80-01	BRACKET		1
45	512 84 64-01	BOLT		2
46	521 54 06-01	TAP HEAD ASSY		1
47	521 54 07-01	CASE		1
48	512 54 98-01	EYELET		2
49	521 81 94-01	COVER		1
50	521 81 95-01	CORD		1
51	521 81 96-01	SPRING		1
52	511 01 14-01	CORD		1
53	580 26 11-25	DECAL		1
54	585 27 43-01	DECAL		1
55	505 29 58-01	LABEL		1
56	522 92 86-02	LABEL		1
57	575 73 82-02	COMBINATION WRENCH		1
58	503 55 86-01	SPANNER		1
59	502 28 59-01	STOP		1
60	510 98 94-01	GOGGLE		1
61	580 35 72-10	2T OIL		1

TRZ230S

Fig.2 ENGINE UNIT 01



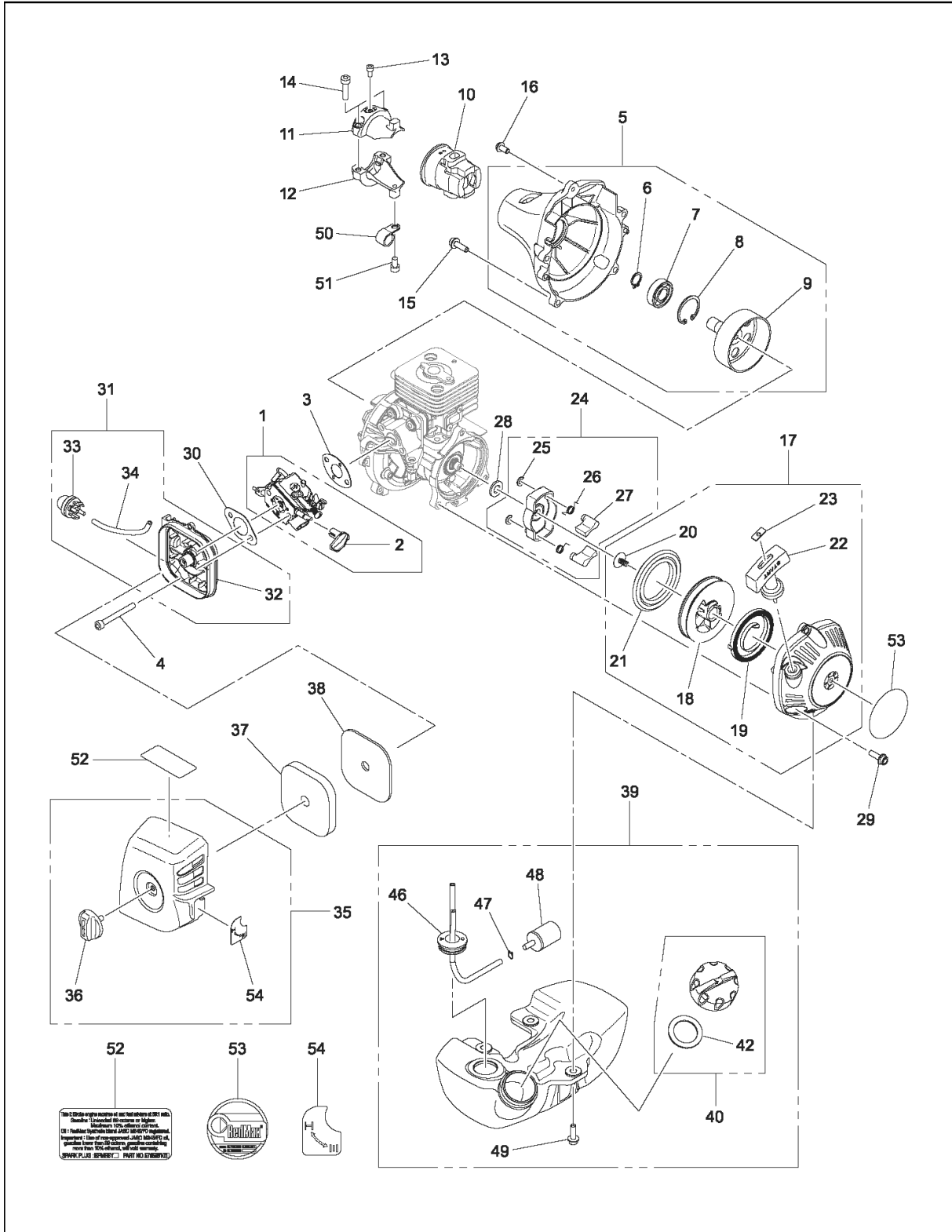
ENGINE

TRZ230S, 967194101, 2014-09

Ref	Part No	Description	Remark	QTY KIT
1	578 14 38-01	CYLINDER		1
2	576 40 71-01	GASKET		1
3	506 74 52-01	BOLT		2
4	584 70 31-01	SPARK PLUG		1
5	578 01 00-04	CRANKCASE		1
6	576 40 74-01	COVER		2
7	576 39 86-01	BOLT		4
8	577 16 74-01	PIN		2
9	576 40 75-01	GASKET		1
10	521 75 68-01	BALL BEARING		2
11	521 52 14-01	OIL SEAL		2
12	512 84 59-01	BOLT		3
13	579 52 92-01	PISTON		1
14	576 40 82-01	RING		2
15	510 91 63-01	PIN.PISTON		1
16	505 04 52-01	RING		2
17	576 40 27-01	BEARING		1
18	586 65 68-01	CRANKSHAFT		1
19	586 27 52-01	IGNITION COIL ASSY		1
21	584 82 66-01	IGNITION CABLE		1
22	511 39 83-01	HUB CAP		1
23	577 88 47-01	SPRING		1
24	581 94 27-01	SPARK PLUG CAP		1
25	521 74 95-01	TUBE		1
26	521 76 97-01	SPACER		2
27	521 51 58-01	BOLT		2
28	577 05 11-01	SHORT CIRCUIT CABLE		1
29	577 44 58-01	FLYWHEEL		1
30	513 66 75-01	NUT		1
31	576 39 88-03	INSULATOR		1
32	576 39 89-01	GASKET		1
33	504 11 43-01	SCREW		3
34	521 75 60-01	SCREW		1
35	510 48 74-01	NUT		1
36	580 69 49-02	MUFFLER ASSY		1
37	580 51 44-01	SPARK ARRESTER		1
38	729 57 74-05	SCREW CRPANT		1
39	504 11 43-01	SCREW		2
40	578 07 86-02	GASKET		1
41	586 05 56-01	CYLINDER COVER		1
42	586 05 40-01	SHEET		1
43	576 40 85-02	PLATE		1
44	544 25 68-01	SCREW		3
45	581 82 24-02	PLATE		1
46	585 83 47-01	CLUTCH ASSY		1
47	576 40 07-01	CLUTCH SPRING		1
48	513 18 96-01	SCREW		2
49	505 05 44-01	WASHER		2
50	513 18 95-01	WASHER		2
51	577 13 32-01	JOINT		1

TRZ230S

Fig.3 ENGINE UNIT 02



ENGINE

TRZ230S, 967194101, 2014-09

Ref	Part No	Description	Remark	QTY KIT
1	586 70 08-01	CARBURETTOR		1
2	576 78 55-01	CHOKE CONTROL		1
3	576 39 91-02	GASKET		1
4	575 72 54-01	SCREW		2
5	581 44 00-02	HOUSING		1
6	516 12 41-01	RING		1
7	525 95 32-01	BEARING		1
8	506 60 99-01	RING		1
9	581 14 20-01	CLUTCH DRUM		1
10	576 42 05-01	CUSHION		1
11	576 42 07-02	BRACKET		1
12	576 42 08-02	BRACKET		1
13	529 26 81-01	BOLT		1
14	577 94 20-01	BOLT		2
15	577 94 23-01	BOLT		4
16	578 47 35-02	SCREW		1
17	581 20 95-01	STARTER		1
18	579 06 48-01	STARTER PULLEY		1
19	504 11 50-01	SPRING.SPIRAL		1
20	506 61 30-01	SCREW		1
21	581 86 30-01	ROPE		1
22	505 30 34-01	KNOB		1
23	504 11 40-01	PLATE.STOPPER		1
24	581 14 65-01	STARTER PULLEY		1
25	521 60 04-01	E-RING		2
26	521 60 03-01	SPRING		2
27	521 60 02-01	RATCHET		2
28	586 88 35-01	WASHER		1
29	510 90 41-01	BOLT		3
30	577 88 24-02	GASKET		1
31	577 63 78-02	FILTER HOUSING		1
32	576 40 15-02	FILTER HOUSING		1
33	503 93 66-01	PRIMER HOUSING		1
34	577 05 05-01	PIPE		1
35	577 63 80-02	FILTER COVER		1
36	576 99 24-01	KNOB		1
37	576 40 18-01	AIR FILTER		1
38	581 43 89-01	AIR FILTER		1
39	581 59 49-01	FUEL TANK ASSY		1
40	576 40 37-02	TANK CAP		1
42	577 04 87-01	GASKET		1
46	579 21 03-03	HOSE ASSY		1
47	506 70 70-01	CLIP		1
48	503 44 32-01	FILTER		1
49	521 51 53-01	SCREW		3
50	504 12 23-01	CLIP		1
51	529 26 81-01	BOLT		1
52	585 49 76-01	DECAL		1
53	585 49 78-01	DECAL		1
54	579 34 96-01	DECAL		1