



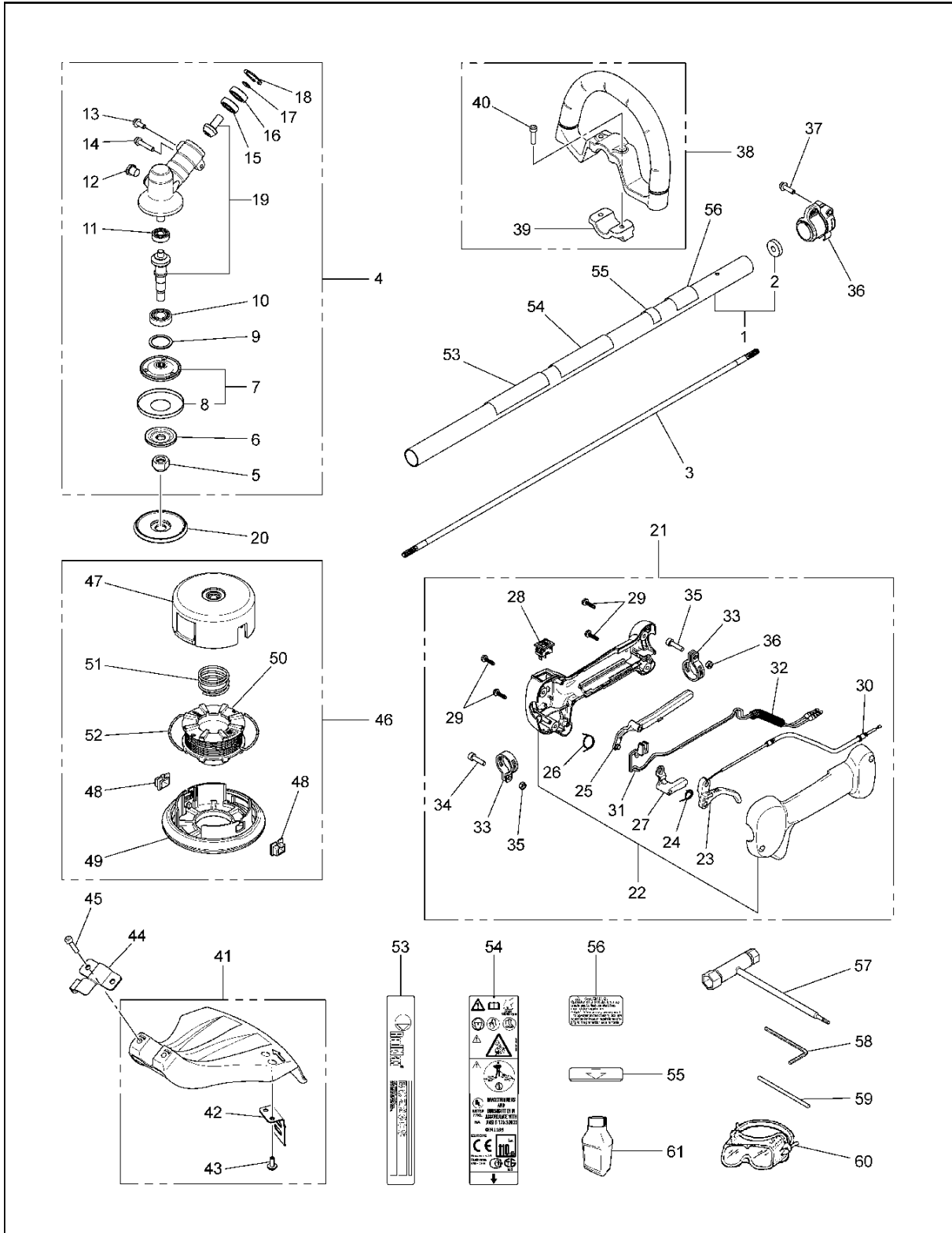
SPARE PARTS LIST

TRIMMERS/EDGERS

BCZ260S, 967194301, 2018-02

BCZ260S

Fig.1 DRIVE UNIT



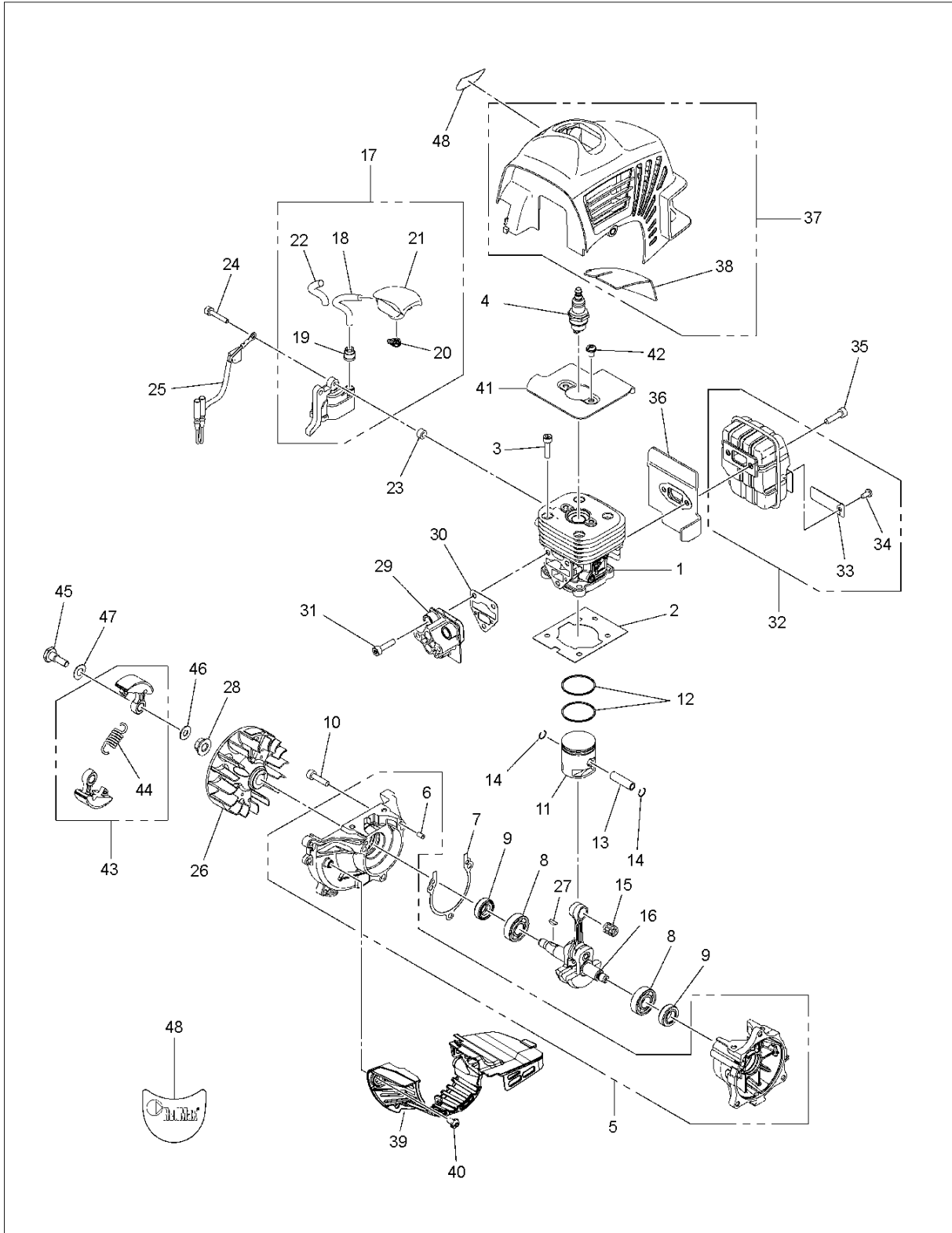
DRIVE

BCZ260S, 967194301, 2018-02

Ref	Part No	Description	Remark	QTY KIT
1	579 14 90-01	TUBE		1
2	521 82 54-01	SEAL		1
3	581 81 51-01	DRIVE SHAFT		1
4	537 19 92-02	BEVEL GEAR ASSY		1
5	503 85 63-01	NUT		1
6	537 28 56-01	SUPPORT FLANGE		1
7	537 23 49-01	DRIVER ASSY		1
8	537 29 26-01	CUP		1
9	735 31 28-10	CIRCLIP		1
10	503 25 24-01	BALL BEARING		1
11	738 21 98-00	BALL BEARING		1
12	503 20 15-02	SCREW IHHM		1
13	574 71 08-01	BOLT		1
14	503 20 07-25	SCREW IHSCFM		1
15	738 21 99-00	BALL BEARING		1
16	738 21 99-02	BALL BEARING		1
17	735 31 11-00	CIRCLIP		1
18	735 31 25-10	CIRCLIP		1
20	581 59 50-01	SPACER		1
21	581 33 18-01	GRIP		1
22	576 47 52-02	GRIP		1
23	529 25 88-01	LEVER,THROTTLE		1
24	529 25 96-01	SPRING,THROTTLE		1
25	578 77 80-01	LEVER		1
26	511 59 18-01	SPRING		1
27	529 25 92-01	LEVER,JOINT		1
28	586 24 68-01	STOP SWITCH		1
29	521 51 77-01	SCREW		4
30	581 33 19-01	CABLE		1
31	529 25 61-01	CORD		2
32	581 41 04-03	TUBE		1
33	529 25 94-01	BAND		2
34	504 11 43-01	SCREW		2
35	510 91 11-01	NUT		2
36	590 00 62-01	HANGER		1
37	577 16 98-01	SCREW		1
38	581 43 07-01	HANDLE LOOP		1
39	576 46 38-01	CLAMP		1
40	521 86 31-01	SCREW		2
41	501 13 67-01	GUARD		1
42	574 39 56-01	BLADE		1
43	502 84 39-01	SCREW		2
44	581 59 80-01	BRACKET		1
45	512 84 64-01	BOLT		1
46	521 54 06-01	TAP HEAD ASSY		1
47	521 54 07-01	CASE		1
48	512 54 98-01	EYELET		2
49	521 81 94-01	COVER		1
50	521 81 95-01	HOLDER		1
51	521 81 96-01	SPRING		1
52	511 01 14-01	CORD		1
53	580 26 11-21	DECAL		1
54	587 40 26-01	DECAL		1
55	505 29 58-01	LABEL		1
56	522 92 86-02	LABEL		1
57	575 73 82-02	COMBINATION WRENCH		1
58	503 55 86-01	SPANNER		1
59	502 28 59-01	STOP		1
60	510 98 94-01	GOGGLE		1
61	580 35 72-10	2T OIL		1

BCZ260S

Fig.2 ENGINE UNIT 01



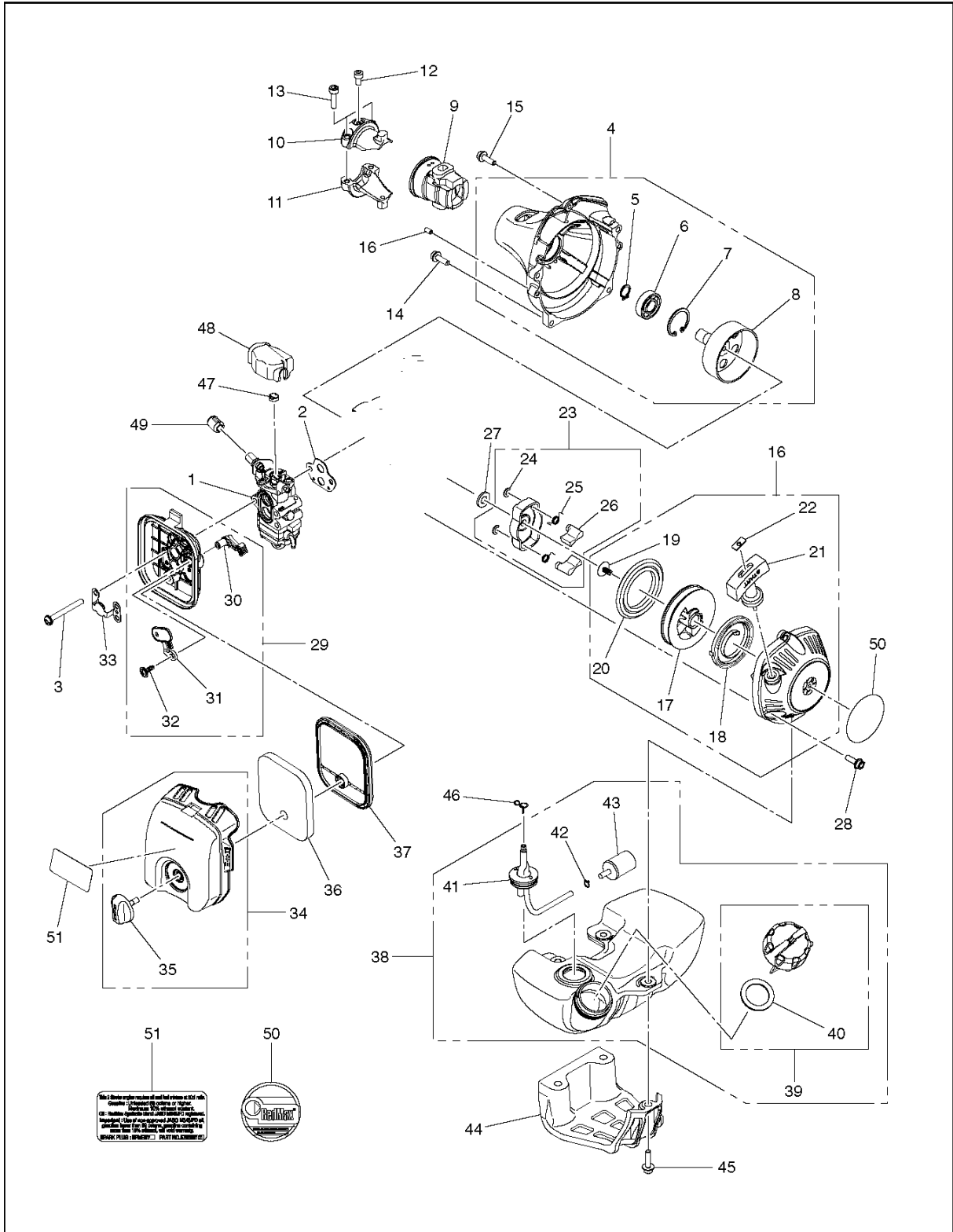
ENGINE

BCZ260S, 967194301, 2018-02

Ref	Part No	Description	Remark	QTY KIT
1	577 97 90-01	CYLINDER		1
2	576 39 87-02	GASKET		1
3	504 11 43-01	SCREW		4
4	584 70 31-01	SPARK PLUG		1
5	578 06 60-01	CRANKCASE		1
6	577 16 74-01	PIN		2
7	576 39 95-02	GASKET		1
8	506 61 03-01	BEARING		2
9	504 12 15-01	SEALING		2
10	504 11 43-01	SCREW		3
11	577 91 74-01	PISTON		1
12	506 61 81-01	RING		2
13	505 04 07-01	PIN		1
14	505 04 52-01	RING		2
15	576 40 27-01	BEARING		1
16	586 65 66-01	CRANKSHAFT		1
17	588 14 23-01	IGNITION COIL		1
18	584 82 66-01	IGNITION CABLE		1
19	511 39 83-01	HUB CAP		1
20	577 88 47-01	SPRING		1
21	581 94 27-01	SPARK PLUG CAP		1
22	521 74 95-01	TUBE		1
23	588 17 14-01	SPACER		2
24	521 51 58-01	BOLT		2
25	578 93 45-01	SHORT CIRCUIT CABLE		1
26	578 96 78-01	FLYWHEEL		1
27	506 68 94-01	KEY		1
28	504 11 80-01	NUT		1
29	585 80 90-01	INSULATOR		1
30	576 39 89-01	GASKET		1
31	504 11 43-01	SCREW		3
32	585 81 82-01	MUFFLER		1
33	580 51 44-01	SPARK ARRESTER		1
34	729 57 74-05	SCREW CRPANT		1
35	504 11 43-01	SCREW		2
36	581 20 90-01	GASKET		1
37	586 05 57-01	CYLINDER COVER		1
38	586 05 41-01	SHEET		1
39	589 57 74-01	GUARD		1
40	544 25 68-01	SCREW		2
41	581 26 42-01	PLATE		1
42	544 25 68-01	SCREW		2
43	585 83 47-01	CLUTCH ASSY		1
44	576 40 07-01	CLUTCH SPRING		1
45	513 18 96-01	SCREW		2
46	505 05 44-01	WASHER		2
47	513 18 95-01	WASHER		2
48	587 38 27-01	DECAL		1

BCZ260S

Fig.3 ENGINE UNIT 02



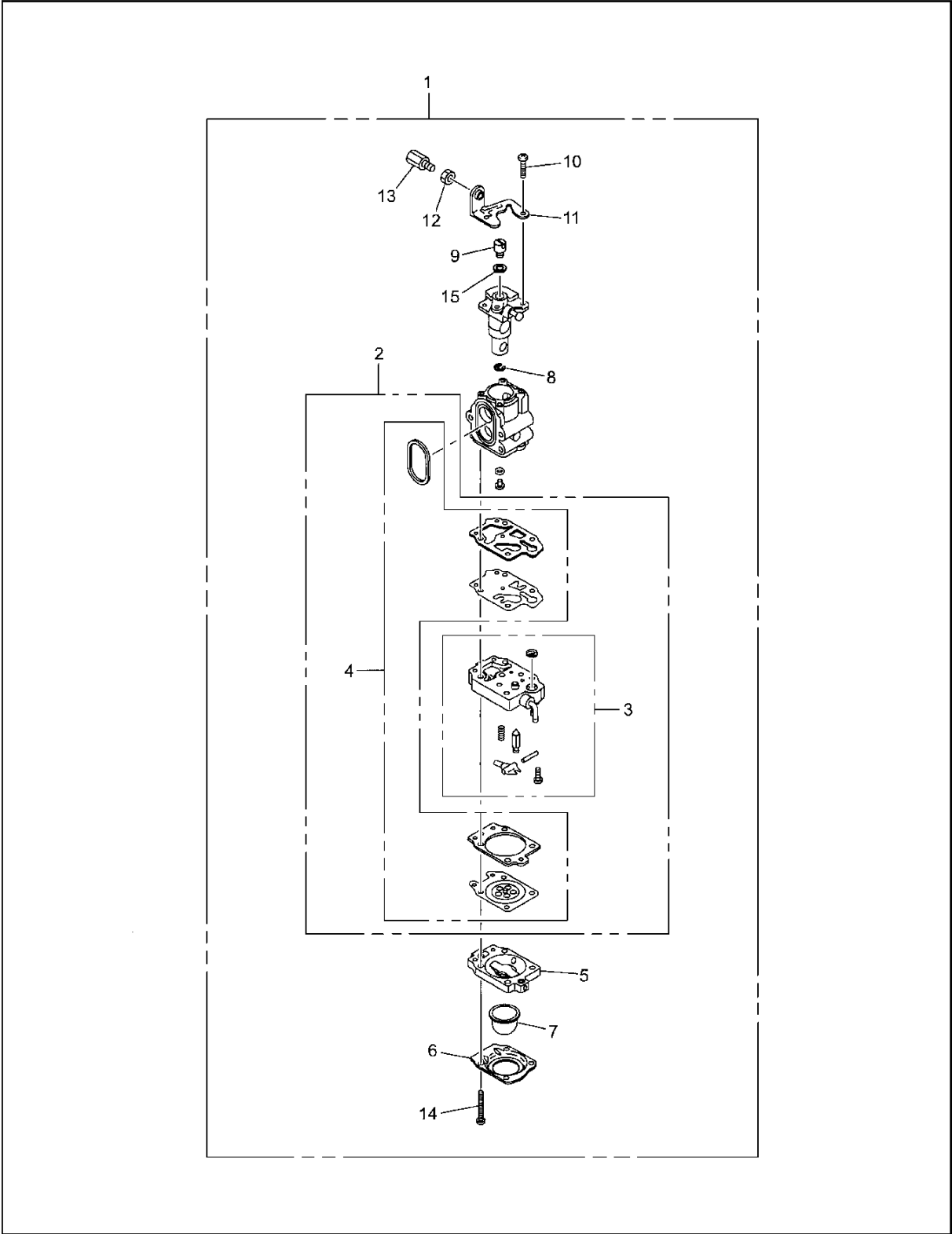
ENGINE

BCZ260S, 967194301, 2018-02

Ref	Part No	Description	Remark	QTY KIT
2	585 80 91-01	GASKET		1
3	581 24 10-01	SCREW		2
4	581 24 24-01	CLUTCH COVER		1
5	516 12 41-01	SNAP RING		1
6	525 95 32-01	BEARING		1
7	506 60 99-01	SNAP RING		1
8	581 14 20-01	CLUTCH DRUM		1
9	576 42 05-01	CUSHION		1
10	576 42 07-02	BRACKET		1
11	576 42 08-02	BRACKET		1
12	529 26 81-01	BOLT		1
13	577 94 20-01	BOLT		2
14	577 94 23-01	BOLT		4
15	544 25 68-01	SCREW		1
16	581 20 95-01	STARTER		1
17	579 06 48-01	STARTER PULLEY		1
18	504 11 50-01	SPIRAL SPRING		1
19	506 61 30-01	SCREW		1
20	581 86 30-01	ROPE		1
21	505 30 34-01	KNOB		1
22	504 11 40-01	STARTER HANDLE		1
23	581 14 65-01	STARTER PULLEY		1
24	521 60 04-01	E-RING		2
25	521 60 03-01	SPRING		2
26	521 60 02-01	RATCHET		2
27	586 88 35-01	WASHER		1
28	577 94 23-01	BOLT		3
29	585 12 64-01	BODY		1
30	528 07 44-01	LEVER		1
31	585 12 63-01	PLATE		1
32	581 73 62-01	SCREW		1
33	575 75 04-01	PLATE		1
34	575 33 11-03	COVER		1
35	528 07 46-01	KNOB		1
36	577 63 30-01	AIR FILTER		1
37	587 93 07-01	FILTER		1
38	581 07 08-01	FUEL TANK ASSY		1
39	576 40 37-02	TANK CAP		1
40	577 04 87-01	GASKET		1
41	579 13 83-08	HOSE ASSY		1
42	506 70 70-01	CLIP		1
43	503 44 32-01	FUEL FILTER		1
44	581 04 77-01	SKID PLATE		1
45	521 51 69-01	BOLT		3
46	506 74 15-01	CLIP		1
47	513 35 24-01	HUB CAP		1
48	506 74 42-01	COVER		1
49	577 13 32-01	JOINT		1
50	585 49 78-01	DECAL		1
51	585 49 76-01	DECAL		1

BCZ260S

Fig.4 CARBURETOR



CARBURETOR DETAILS

BCZ260S, 967194301, 2018-02

Ref	Part No	Description	Remark	QTY KIT
1	587 07 84-01	CARBURETTOR		
2	587 29 70-01	KIT		1
3	502 23 84-01	CARBURETTOR BODY		1
4	587 29 68-01	GASKET KIT		1
5	506 74 09-01	BODY		1
6	506 74 10-01	COVER		1
7	505 30 67-01	PUMP		1
8	506 73 86-01	RETAINER RING		1
9	506 74 12-01	SWIVEL		1
10	505 30 79-01	SCREW		2
11	506 74 60-01	BRACKET		1
12	506 61 26-01	NUT		1
13	506 74 13-01	SCREW		1
14	506 74 11-01	SCREW		4
15	506 74 61-01	WASHER		1

Illustrated Parts List - IPL Update



Husqvarna
Group

Product Name(s)

BCZ260S (967194301)

Description of change

New DRIVE SHAFT

Interchangeability
Fully interchangeable

Comments

Introduced from

Serial number / Date	Remark
2020-01	

IPL updates

No	Page title	Ref.No on IPL	New part no	Name	Excl. part no.	Remark
1	DRIVE UNIT	3	58 18 15 10 1	DRIVE SHAFT	58 11 10 50 1	