

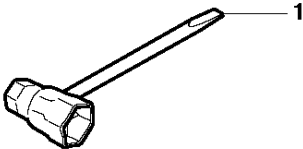


# SPARE PARTS LIST

CHAIN SAWS

GZ550

**P** GZ550  
ACCESSORIES

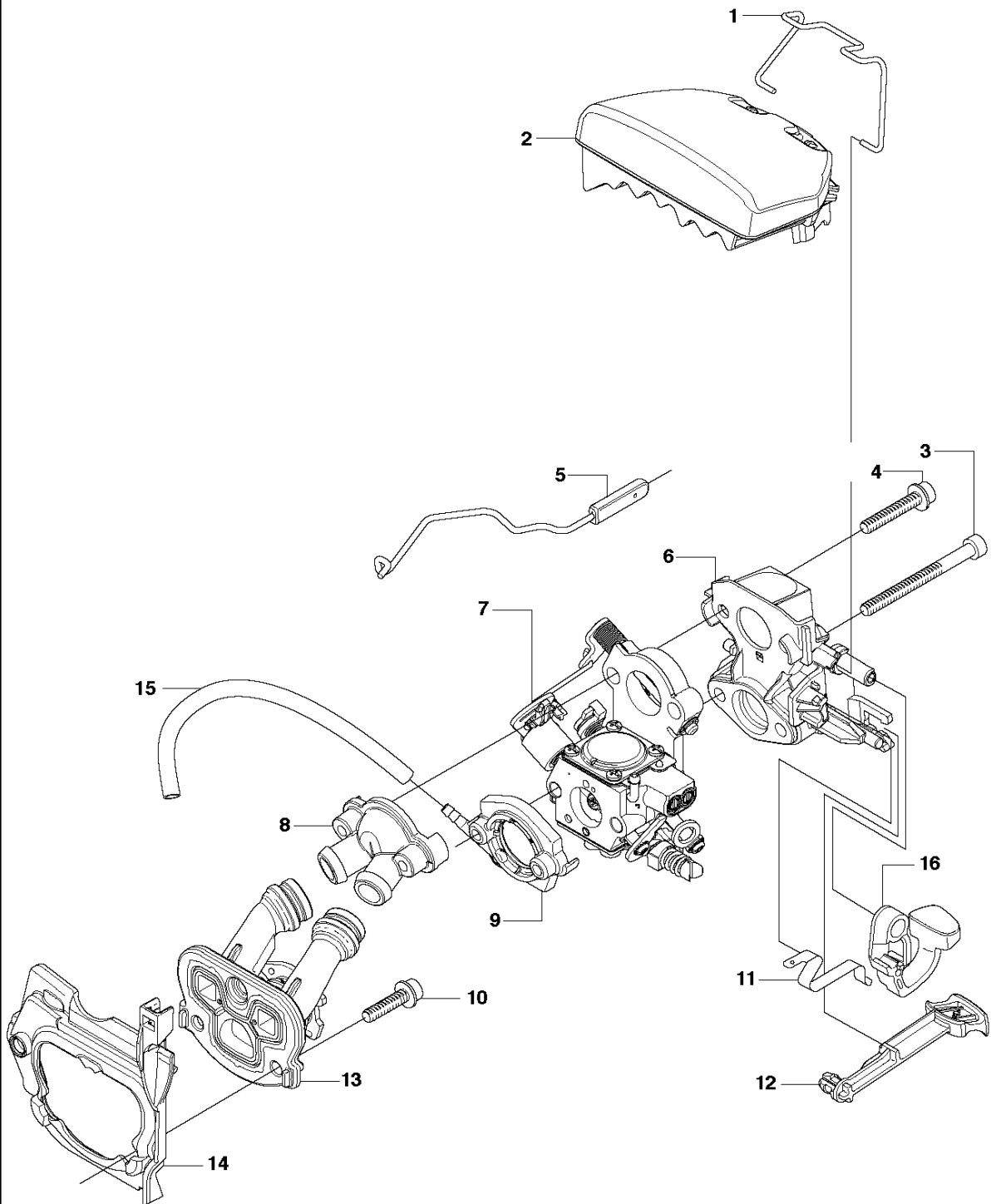


## ACCESSORIES

GZ550

Ref	Part No	Description	Remark	QTY KIT
1	501 69 17-01	COMBINATION WRENCH		1

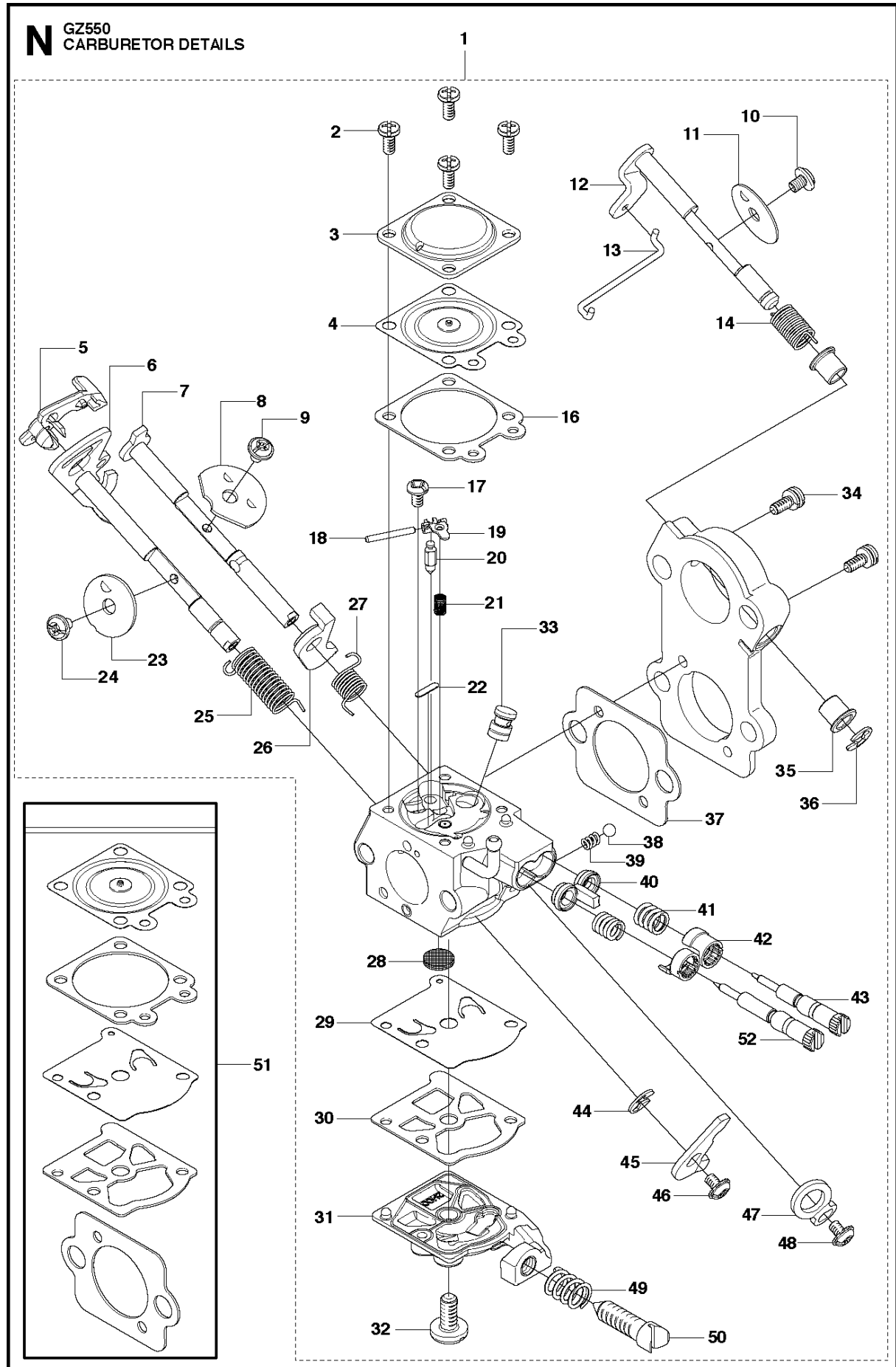
**G** GZ550  
CARBURETOR & AIR FILTER



## CARBURETOR &amp; AIR FILTER

GZ550

Ref	Part No	Description	Remark	QTY KIT
1	537 30 49-01	CLAMP		1
2	537 25 57-01	AIR FILTER ASSY	μ80	1
2	537 25 57-02	AIR FILTER ASSY	μ44	1
2	537 25 57-03	AIR FILTER ASSY	FELT	1
3	503 21 74-50	SCREW IH SCT		2
4	503 21 55-25	SCREW IH SCT		2
5	537 26 08-02	THROTTLE WIRE ASSY		2
6	537 32 30-01	INLET ELBOW		1
7	544 88 30-01	CARBURETTOR	WALBRO, WTEA-1	1
8	537 24 14-01	FLANGE		2
9	537 24 15-01	FLANGE		1
10	503 20 02-16	SCREW IH SCFM		3
11	503 86 97-02	SHORT CIRCUIT SPRING		1
12	537 25 56-01	CHOKE CONTROL		1
13	537 32 10-02	PIPE ASSY		1
14	537 37 14-01	INSULATION WALL		1
15	503 40 06-10	IMPULSE HOSE		1
16	537 25 55-01	STOP SWITCH		1

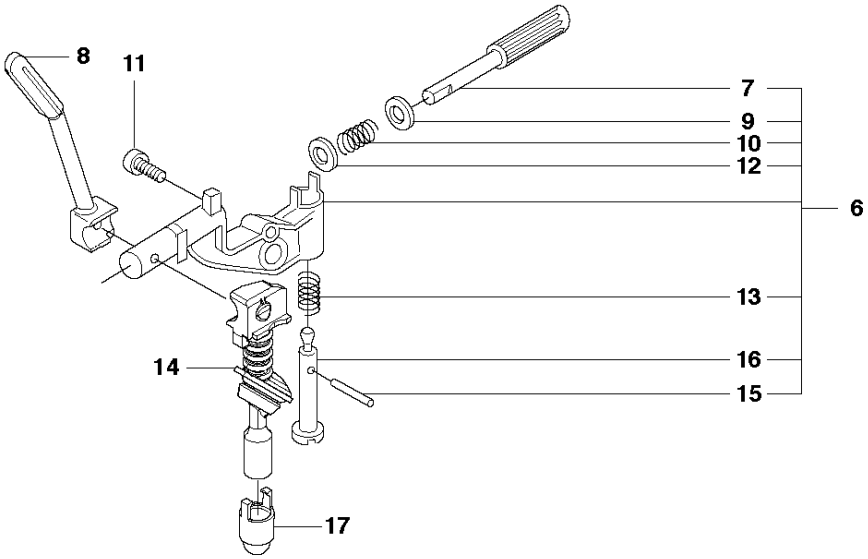
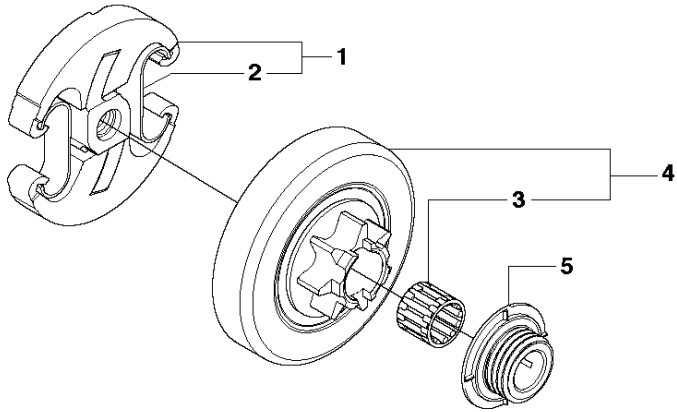


## CARBURETOR DETAILS

GZ550

Ref	Part No	Description	Remark	QTY	KIT
1	544 88 30-01	CARBURETTOR	WALBRO, WTEA-1	1	
2	503 58 46-01	SCREW		4	1
3	505 31 67-54	LOCK STYRMEMBRAN		1	1
4	502 84 70-01	DIAPHRAGM		1	1, 51
5	537 30 62-01	LEVER		1	1
6	537 40 74-01	SHAFT ASSY		1	1
7	537 40 75-01	SHAFT ASSY		1	1
8	537 40 77-01	VALVE		1	1
9	537 00 34-01	SCREW		1	1
10	537 00 34-01	SCREW		1	1
11	537 40 68-01	VALVE		1	1
12	537 40 69-01	SHAFT ASSY		1	1
13	537 40 72-01	ROD		1	1
14	537 40 70-01	SPRING THROTT.RETURN		1	1
16	504 35 09-06	GASKET		1	1, 51
17	502 84 71-01	SCREW		1	1
18	505 52 01-25	PIN-METERING LEVER		1	1
19	502 84 74-01	LEVER		1	1
20	503 56 34-01	INLET		1	1
21	503 91 47-01	SPRING		1	1
22	502 84 69-01	PLUG		1	1
23	502 84 66-01	VALVE		1	1
24	544 11 15-01	SCREW		1	1
25	537 40 84-01	SPRING THROTT.RETURN		1	1
26	537 40 92-01	LEVER		1	1
27	537 40 86-01	SPRING CHOKE RETURN		1	1
28	501 66 61-01	SCREEN		1	1
29	502 21 36-01	DIAPHRAGM PUMP		1	1, 51
30	504 13 09-06	GASKET		1	1, 51
31	537 40 73-01	COVER		1	1
32	501 46 69-01	SCREW		1	1
33	502 84 68-01	NOZZLE ASSY		1	1
34	537 40 83-01	SCREW		2	1
35	537 40 66-01	BUSHING		1	1
36	505 31 67-36	RING		1	1
37	537 40 81-01	GASKET		1	1, 51
38	501 46 85-01	BALL		1	1
39	501 46 84-01	SPRING		1	1
40	544 97 14-01	RETAINER		1	1
41	544 97 10-01	SPRING		2	1
42	544 97 08-01	LIMITER CAP		2	1
43	502 84 72-01	NEEDLE	High Speed	1	1
44	505 31 67-36	RING		1	1
45	537 40 71-01	LEVER		1	1
46	501 46 87-01	SCREW		1	1
47	537 40 76-01	LEVER		1	1
48	501 46 87-01	SCREW		1	1
49	503 56 42-01	SPRING		1	1
50	537 40 82-01	SCREW		1	1
51	505 27 84-01	KIT	Set of Gaskets	1	
52	502 84 73-01	NEEDLE	Low Speed	1	1

**B** GZ550  
CLUTCH & OIL PUMP



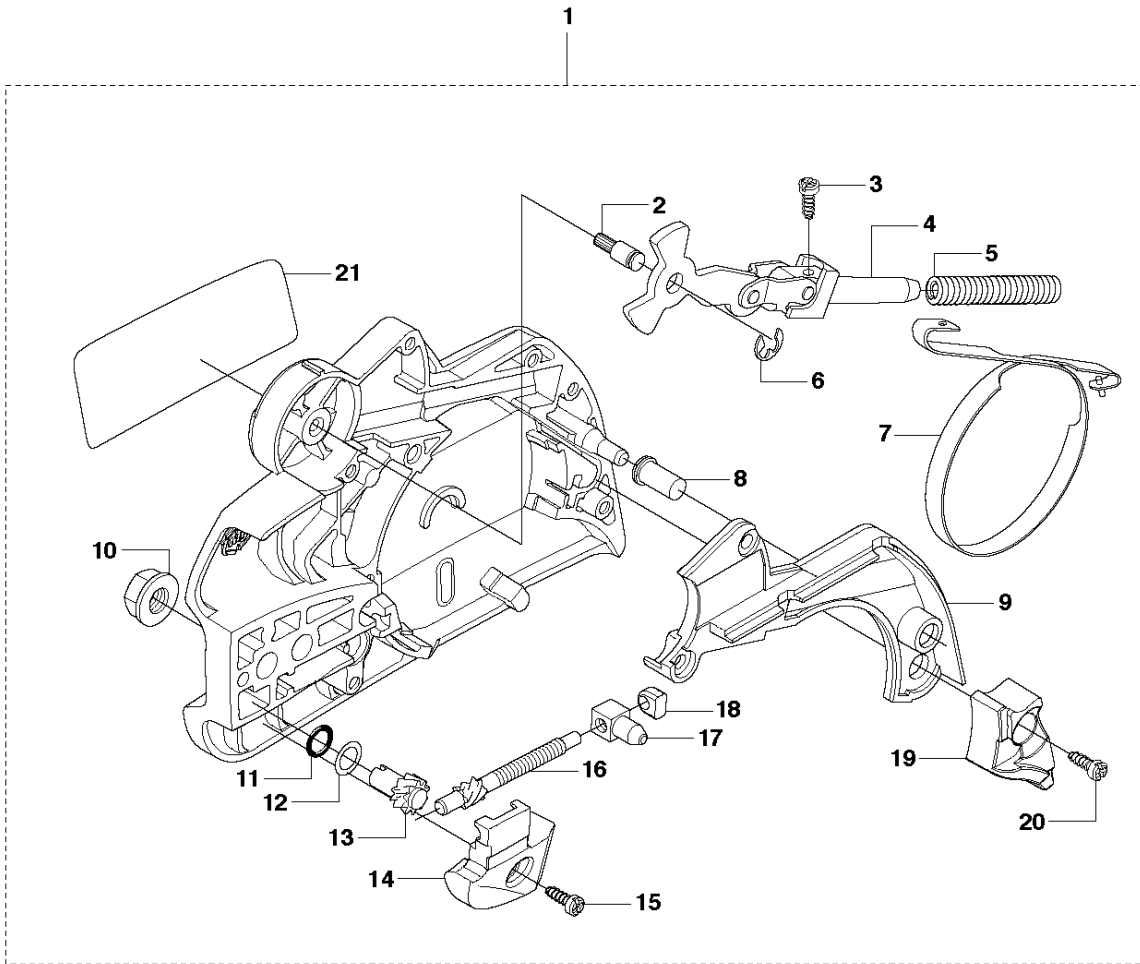


## CLUTCH &amp; OIL PUMP

GZ550

Ref	Part No	Description	Remark	QTY	KIT
1	537 11 05-03	CLUTCH ASSY		1	
2	537 35 91-01	CLUTCH SPRING		2	1
3	503 25 52-01	NEEDLE BEARING		1	4
4	537 29 17-02	CLUTCH DRUM ASSY	".325"x7 SPUR"	1	
4	537 29 16-04	CLUTCH DRUM ASSY	"3/8"x7 SPUR"	1	
5	537 25 26-01	PUMP PINION		1	
6	544 18 01-04	OIL PUMP ASSY		1	
7	537 06 93-02	PUMP PISTON		1	6
8	537 26 15-01	OIL PRESSURE HOSE		1	
9	503 23 00-60	WASHER		1	6
10	503 89 16-01	SPRING		1	6
11	503 21 74-16	SCREW IHCT		1	
12	503 23 00-60	WASHER		1	6
13	503 89 15-01	SPRING		1	6
14	585 51 40-01	OIL HOSE		1	
15	721 11 64-30	GROOVED PIN		1	6
16	537 02 71-01	ADJUSTER		1	6
17	510 04 43-01	OIL SCREEN		1	

**A** CZ550  
CLUTCH COVER

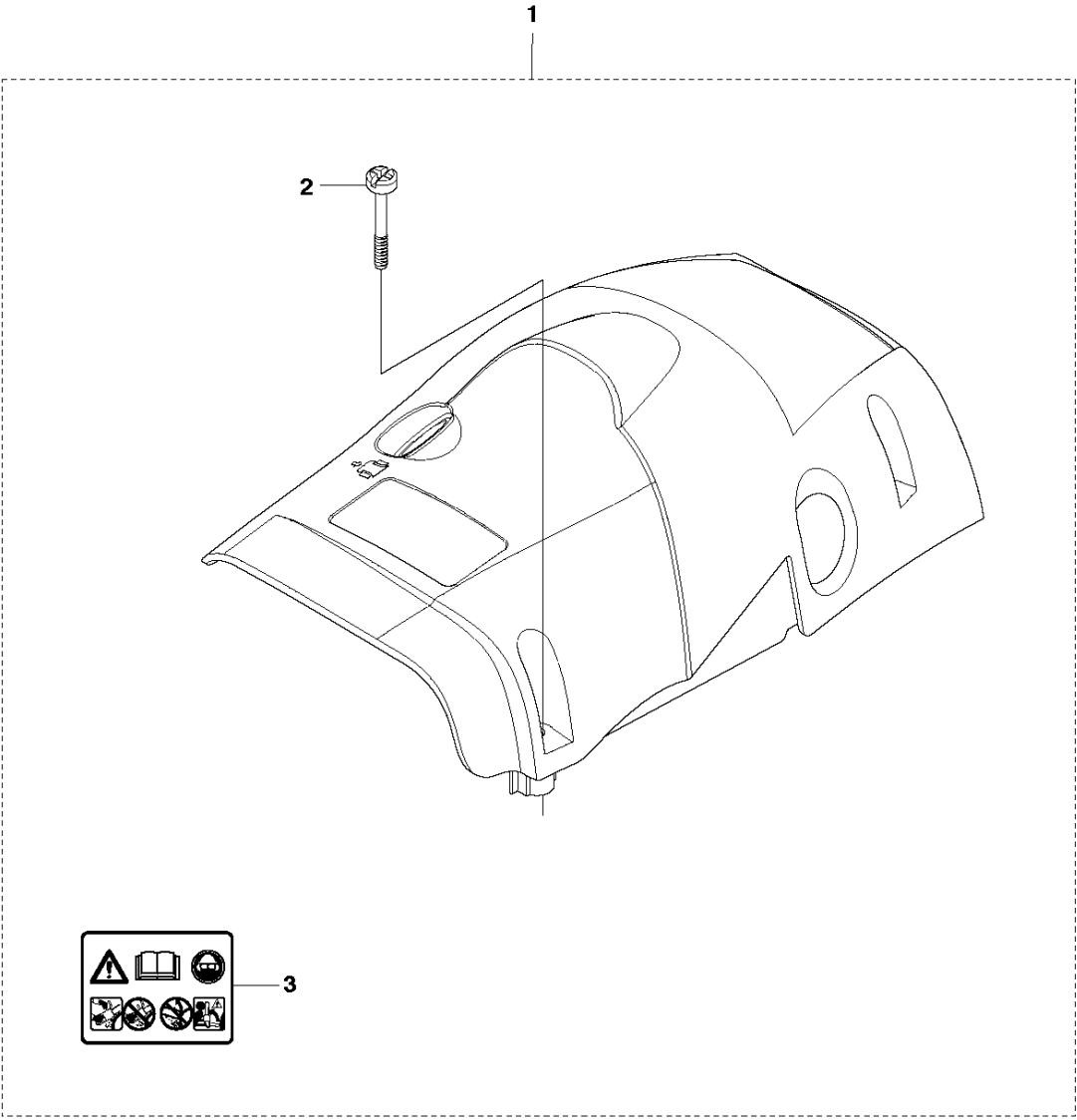


## CLUTCH COVER

GZ550

Ref	Part No	Description	Remark	QTY	KIT
1	544 09 79-06	CLUTCH COVER ASSY		1	
2	503 89 29-01	PIN KNEE-JOINT		1	1
3	503 21 70-10	SCREW CCRPANT		1	1
4	503 89 08-02	KNEE JOINT ASSY		1	1
5	503 46 59-01	BRAKE SPRING		1	1
6	735 31 08-20	E-CLIP		1	1
7	537 04 30-01	BRAKE BAND ASSY		1	1
8	503 85 52-01	GUIDE BUSHING		1	1
9	544 08 29-01	COVER LID		1	1
10	503 22 00-01	HEXAGON NUT		2	1
11	740 48 07-02	O-RING		1	1
12	503 23 00-63	WASHER		2	1
13	537 07 94-02	WORM WHEEL		1	1
14	540 06 33-01	CHAIN GUIDE		1	1
15	503 21 70-10	SCREW CCRPANT		1	1
16	537 39 70-01	WORM SCREW		1	1
17	537 28 66-01	PAWL		1	1
18	537 01 74-01	BEARING SLEEVE		1	1
19	544 08 30-01	WEAR PROTECTION		1	1
20	503 21 70-10	SCREW CCRPANT		4	1
21	544 37 68-03	LABEL		1	1

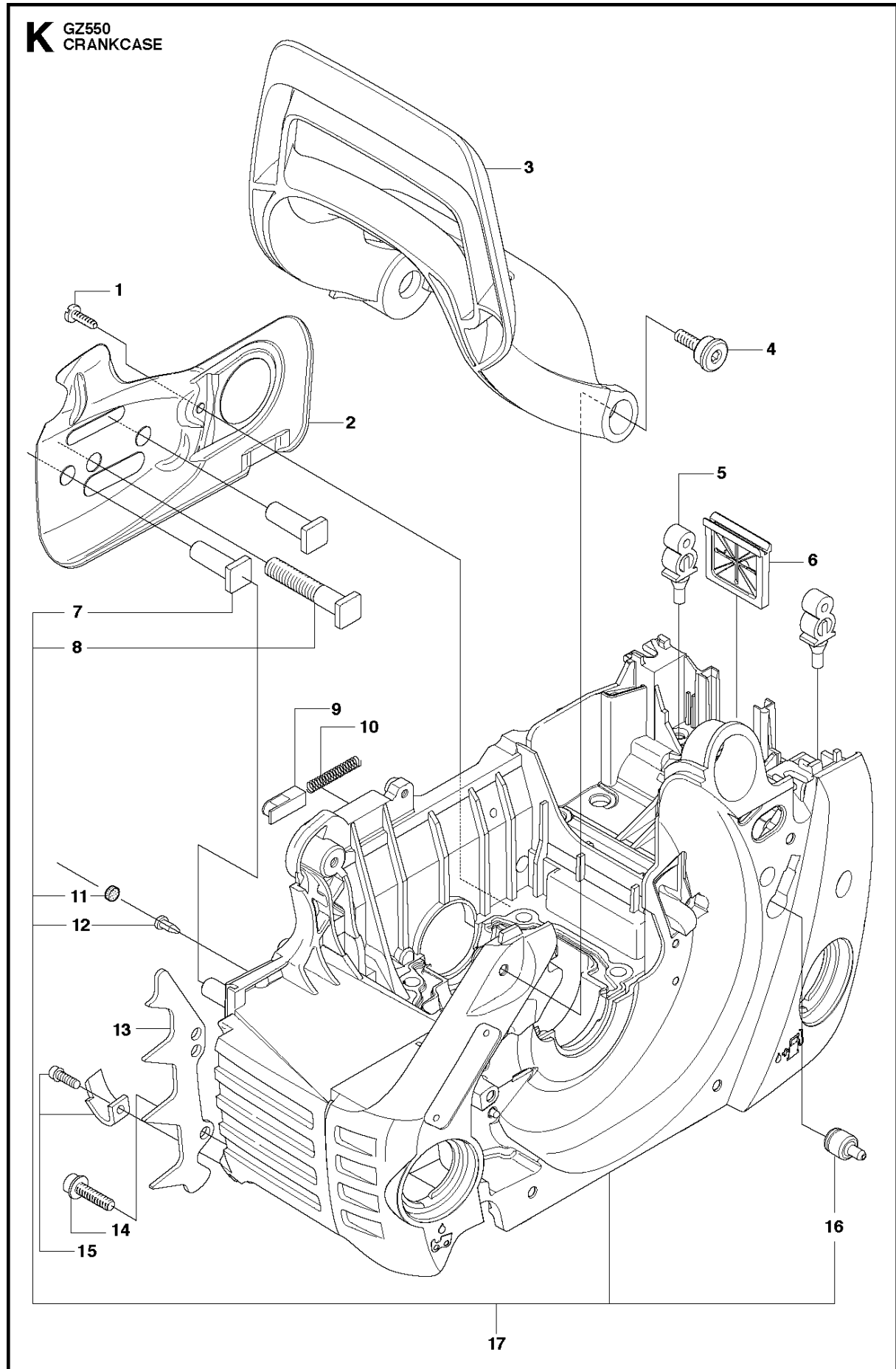
**C** GZ550  
COVER



COVER

GZ550

Ref	Part No	Description	Remark	QTY	KIT
1	501 98 68-02	CYLINDER COVER		1	
2	503 20 34-76	SCREW CCRPANMO		3	1
3	503 98 74-01	LABEL		1	1

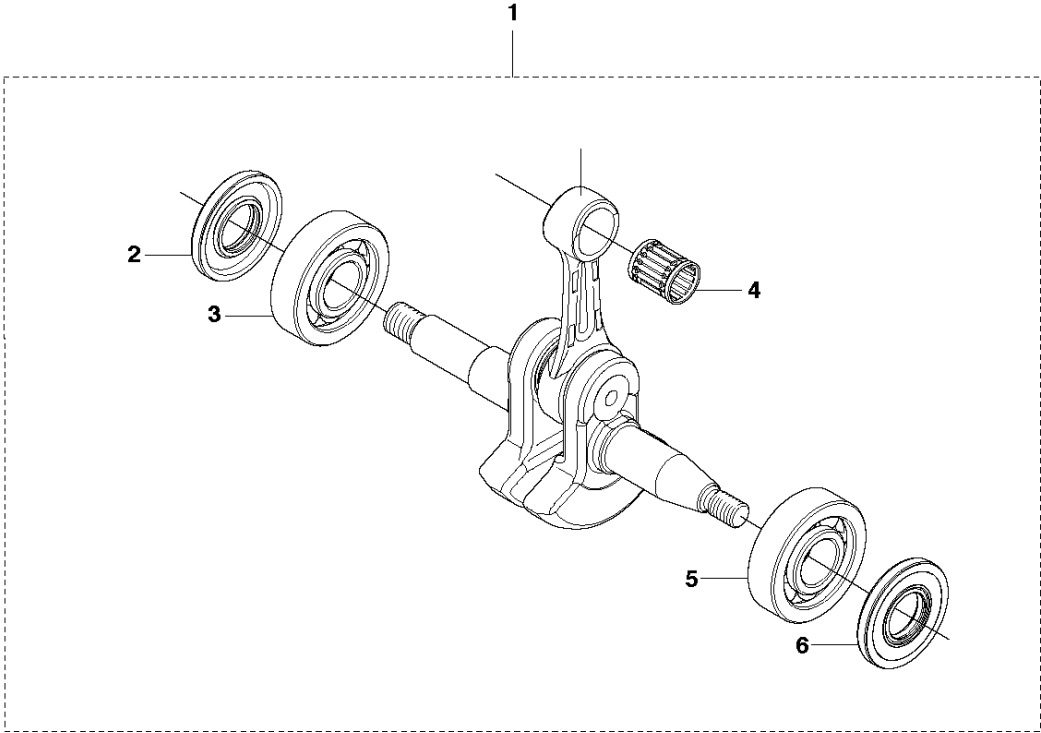


## CRANKCASE

GZ550

Ref	Part No	Description	Remark	QTY	KIT
1	503 21 70-10	SCREW CCRPANT		1	
2	537 27 13-02	CHAIN GUIDE PLATE		1	
3	501 98 69-01	HAND GUARD		1	
4	537 29 65-01	SCREW		2	
5	503 86 93-01	CARBURETTOR		2	
6	537 26 04-01	BELLOWS		1	
7	537 33 46-02	BAR BOLT		2	17
8	537 22 78-01	BAR BOLT		1	17
9	503 89 24-01	LOCK		1	
10	503 43 65-01	POSITION SPRING		1	
11	537 40 35-01	FILTER		1	17
12	530 02 61-19	CHECK VALVE		1	17
13	503 97 38-01	SPIKE		1	
14	503 21 68-72	SCREW IHSCT		2	
15	503 91 06-71	KIT		1	
16	501 15 29-01	TANK VENT ASSY		1	17
17	510 06 59-18	CRANKCASE		1	

**J** GZ550  
CRANKSHAFT



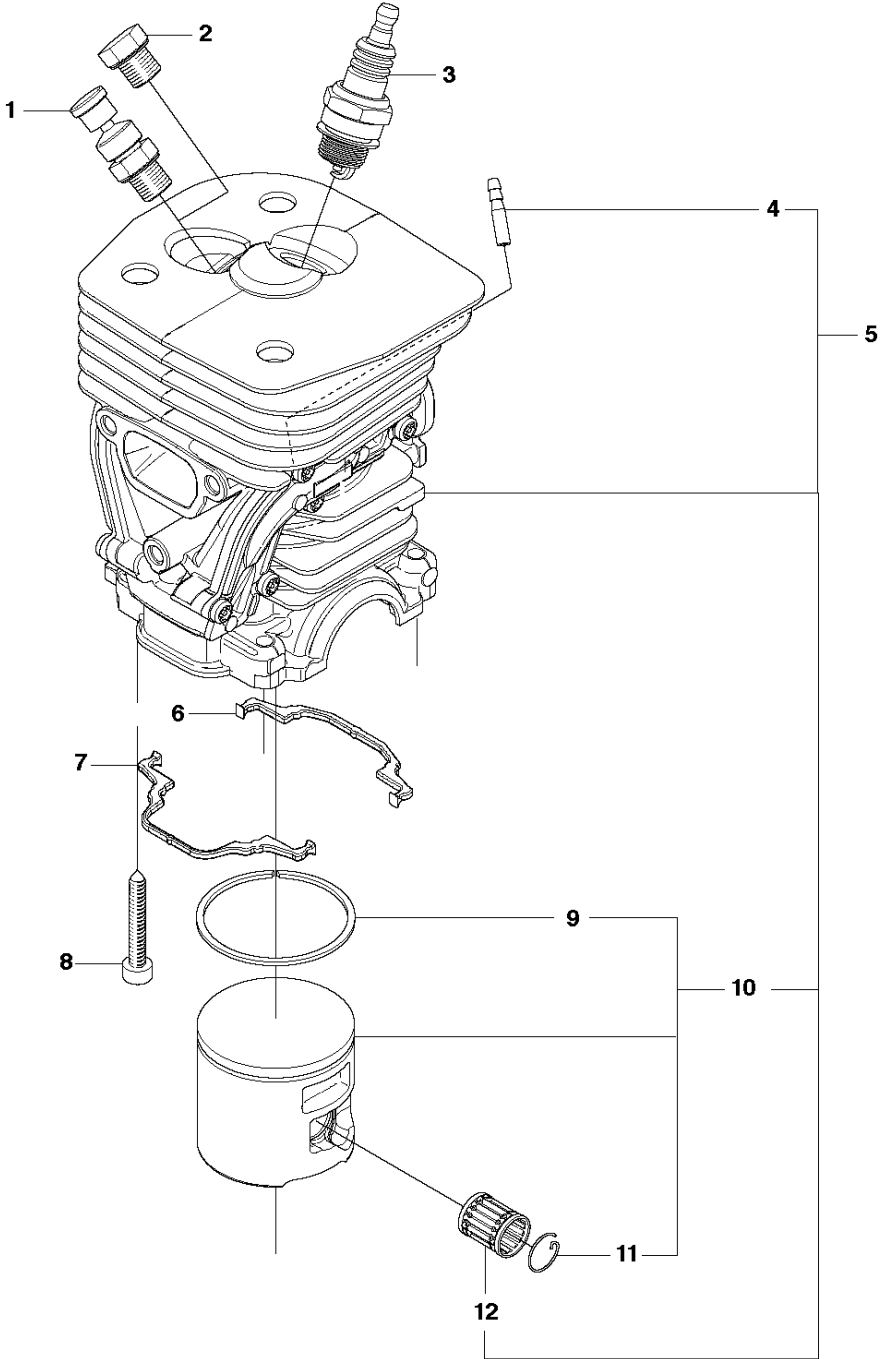


CRANKSHAFT

GZ550

Ref	Part No	Description	Remark	QTY	KIT
1	537 31 40-02	CRANKSHAFT ASSY		1	
2	503 26 19-01	SEALING		1	1
3	503 25 16-02	BALL BEARING		1	1
4	501 86 18-01	NEEDLE BEARING		1	1
5	503 25 16-02	BALL BEARING		1	1
6	503 26 19-01	SEALING		1	1

**H** GZ550  
CYLINDER PISTON

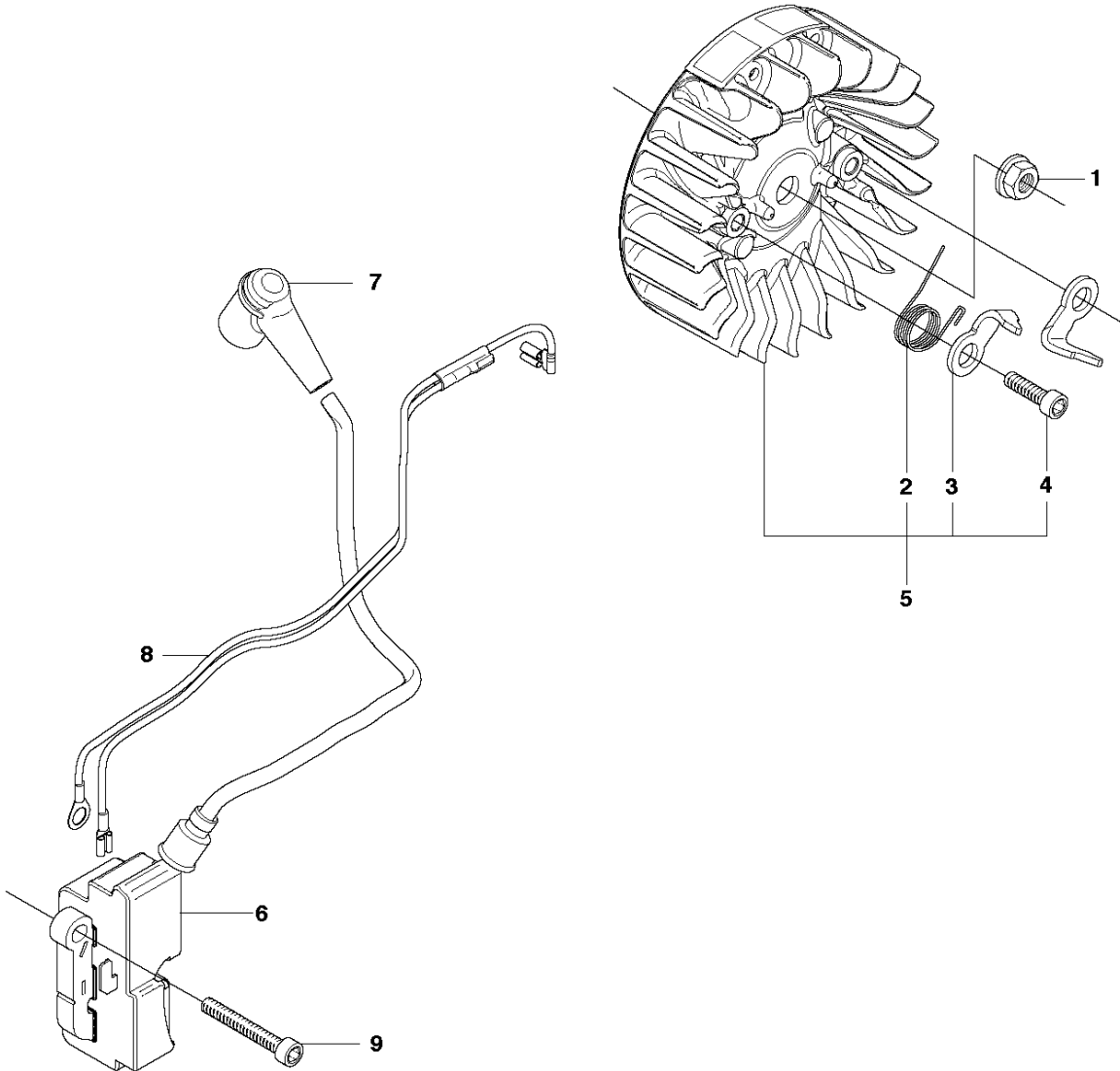


## CYLINDER PISTON

GZ550

Ref	Part No	Description	Remark	QTY KIT	
1	585 23 63-01	DECOMPRESSION VALVE		1	
2	503 55 22-01	PLUG		1	
3	577 48 40-01	SPARK PLUG	HQT-1	1	
4	503 42 43-01	IMPULSE NIPPLE		4	5
5	537 32 04-02	CYLINDER ASSY		1	
6	537 24 58-01	GASKET		1	
7	537 24 57-01	GASKET		1	
8	503 20 05-27	SCREW IHSCM		4	
9	503 28 90-50	PISTON RING		2	10, 5
10	537 29 30-04	PISTON ASSY		1	5
11	737 43 12-00	SNAP RING		2	10, 5
12	501 86 18-01	NEEDLE BEARING		1	5

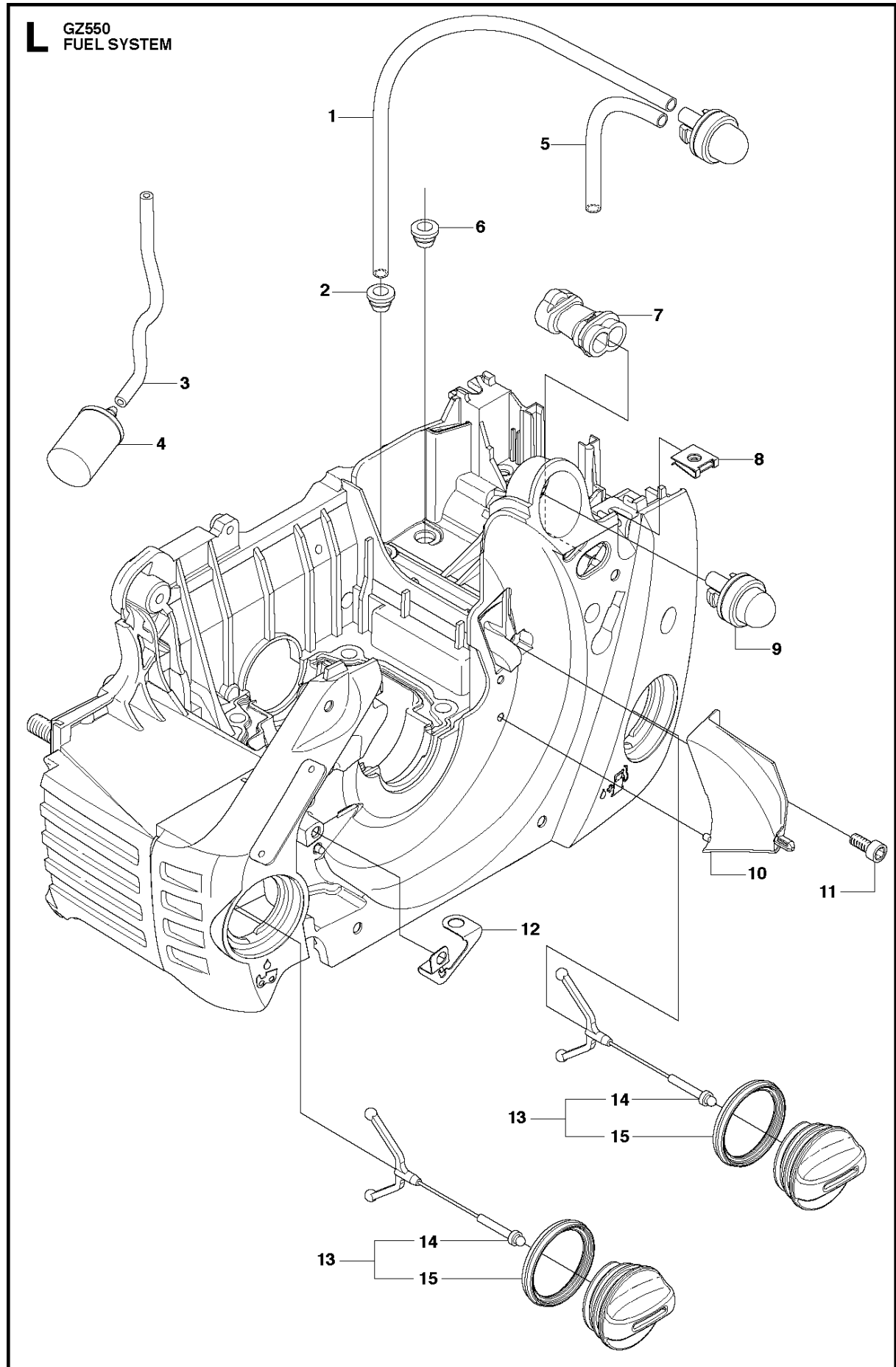
**E** GZ550  
ELECTRICAL



## ELECTRICAL

GZ550

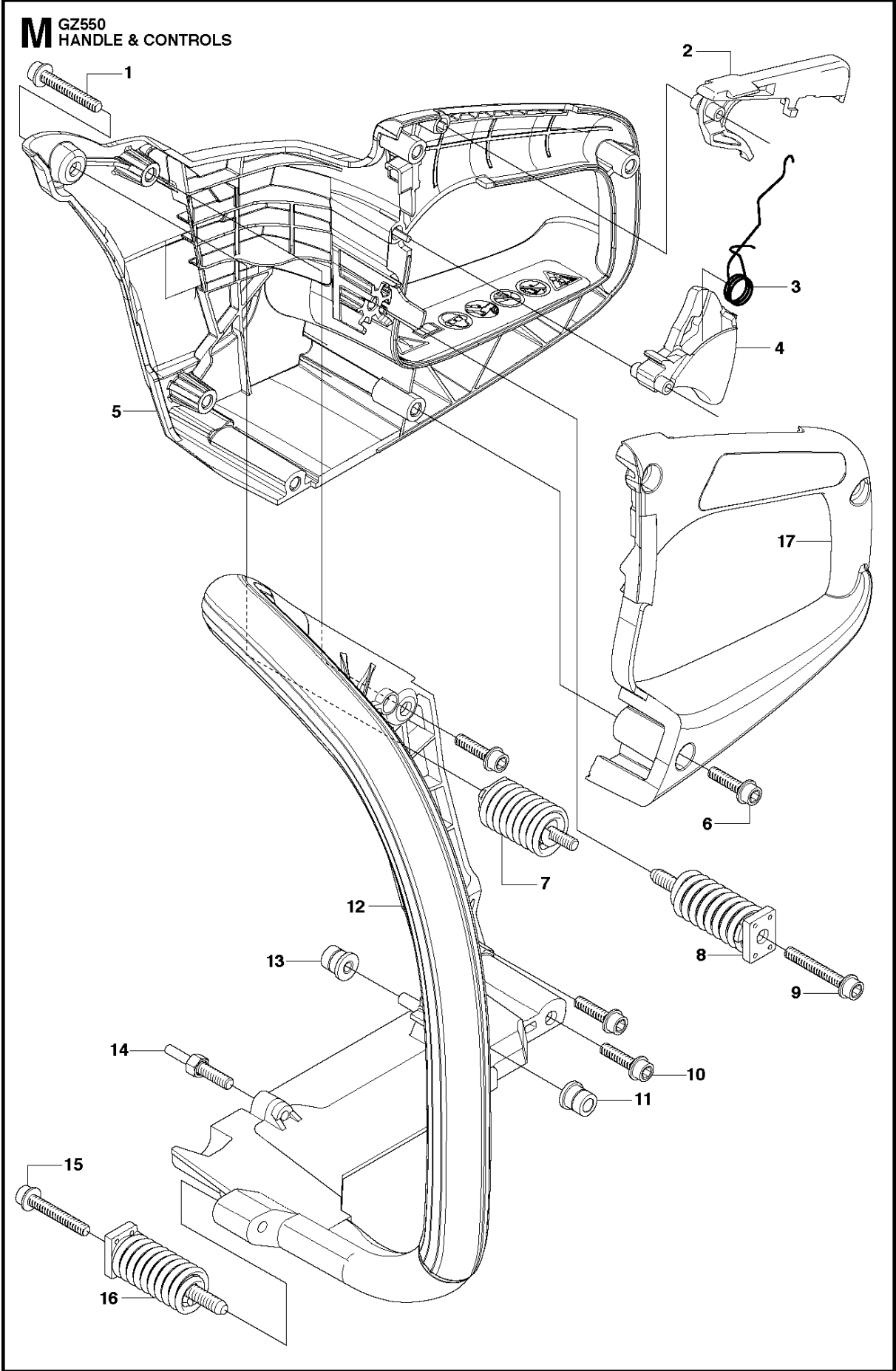
Ref	Part No	Description	Remark	QTY	KIT
1	503 22 04-01	NUT		1	
2	529 27 11-01	SPRING		2	5
3	537 24 56-01	STARTER PAWL		2	5
4	501 81 99-03	SCREW		2	5
5	537 29 27-01	FLYWHEEL ASSY		1	
6	544 04 70-01	IGNITION MODULE		1	
7	501 48 54-02	SPARK PLUG CAP		1	
8	537 27 27-01	WIRING ASSY		1	
9	503 21 55-25	SCREW IHSCT		2	



## FUEL SYSTEM

GZ550

Ref	Part No	Description	Remark	QTY	KIT
1	537 04 24-08	FUEL HOSE		1	
2	503 73 58-01	BUSHING		1	
3	581 75 62-02	FUEL HOSE		1	
4	503 44 32-01	FUEL FILTER		1	
5	537 04 24-02	FUEL HOSE		1	
6	503 73 58-01	BUSHING		1	
7	544 07 14-01	GUIDE SLEEVE		1	
8	503 22 69-02	NUT		3	
9	503 93 66-01	PURGE		1	
10	537 31 79-01	AIR NOZZLE		1	
11	503 21 74-12	SCREW IHSCT		1	
12	537 27 80-01	GROUND PLATE		1	
13	544 11 12-04	TANK CAP ASSY		1	
14	503 57 89-01	HOLDER		1	13
15	589 24 11-01	GASKET		1	13



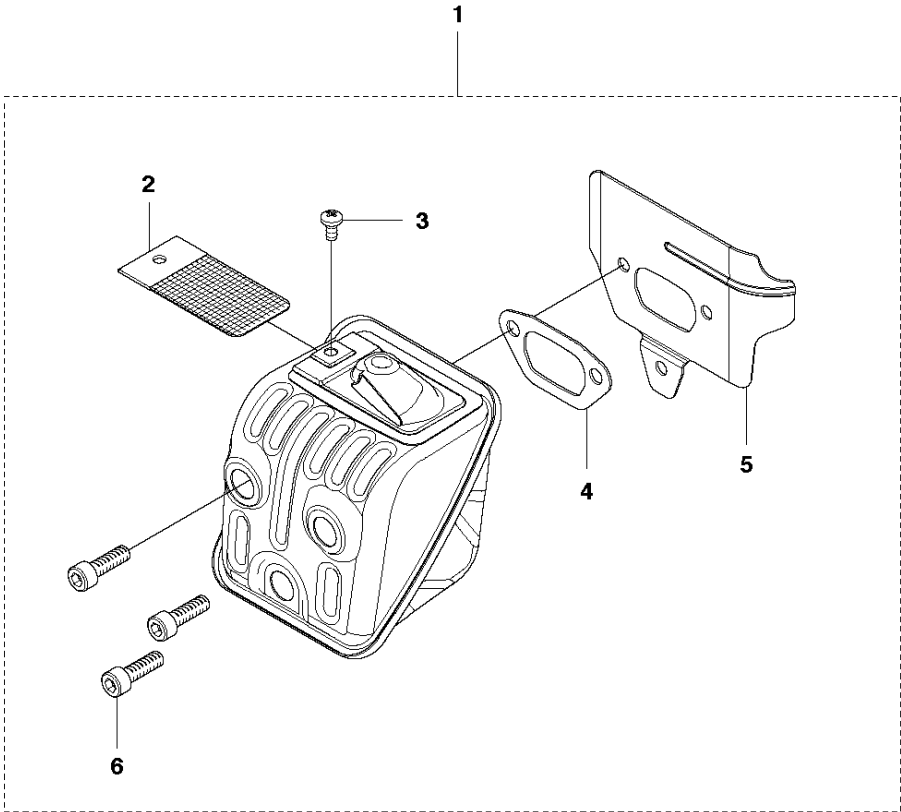


## HANDLE &amp; CONTROLS

GZ550

Ref	Part No	Description	Remark	QTY KIT
1	503 21 88-76	SCREW IHSCT		1
2	502 44 02-02	THROTTLE LOCKOUT		1
3	503 99 86-01	RECOIL SPRING		1
4	537 26 05-04	THROTTLE TRIGGER		1
5	577 90 82-02	REAR HANDLE ASSY		1
6	503 21 02-70	SCREW IHSCT		3
7	537 30 46-01	ANTIVIBRATION ELEMENT		1
8	503 85 41-01	ANTIVIBRATION ELEMENT		1
9	503 21 88-76	SCREW IHSCT		1
10	503 21 02-70	SCREW IHSCT		3
11	503 86 92-01	LATERAL SUPPORT		1
12	501 98 72-01	FRONT HANDLE		1
13	503 86 92-01	LATERAL SUPPORT		3
14	537 24 29-01	SCREW		1
15	503 21 88-76	SCREW IHSCT		1
16	503 92 31-01	ANTIVIBRATION ELEMENT		1
17	537 23 07-02	HUB CAP		1

**F** CZ550  
MUFFLER

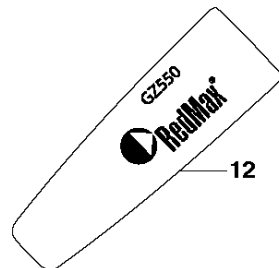
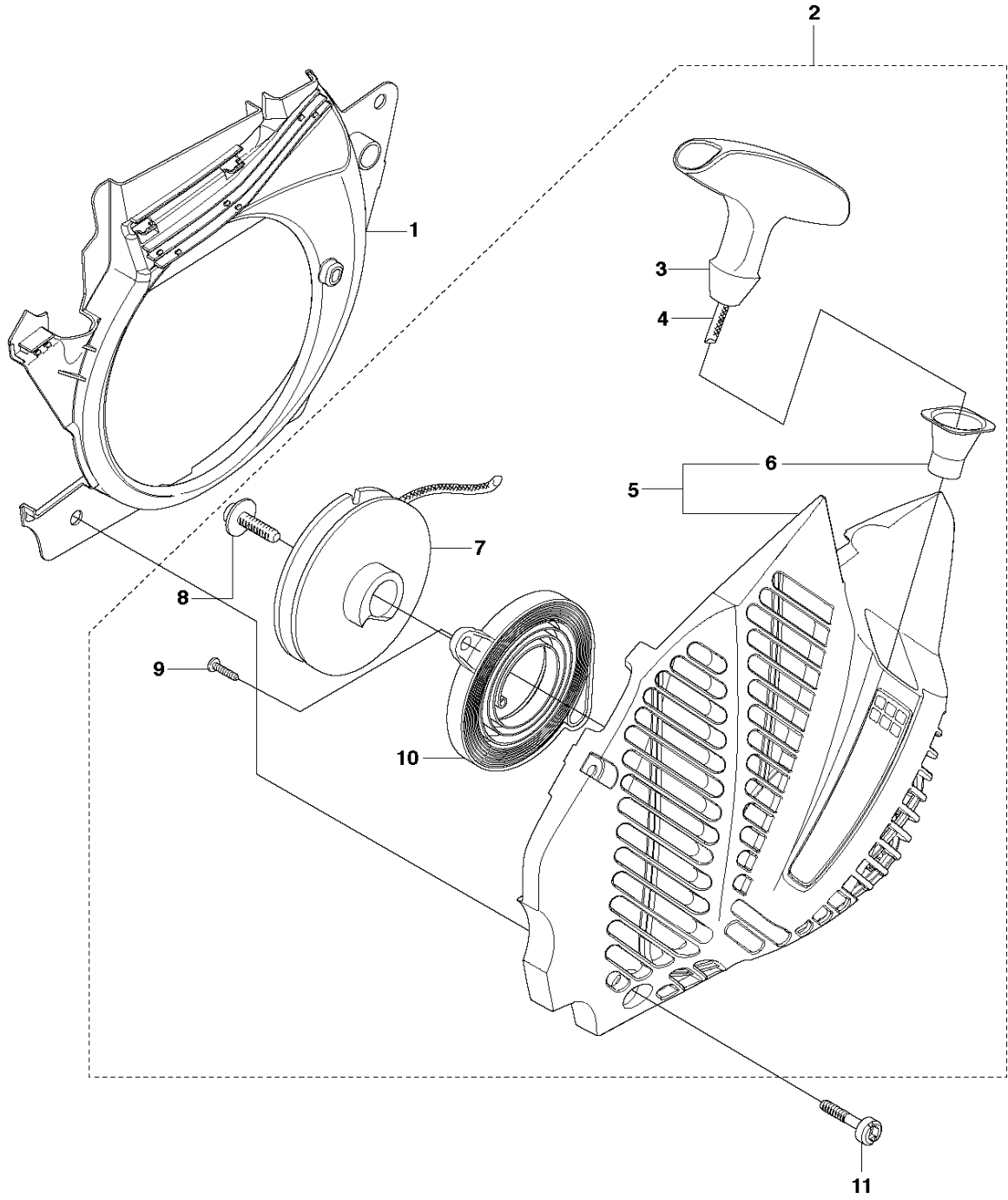


## MUFFLER

GZ550

Ref	Part No	Description	Remark	QTY	KIT
1	575 74 30-02	MUFFLER KIT		1	
2	544 11 68-02	SPARK ARRESTER SCREEN		1	1
3	724 12 87-59	SCREW CRPANM		1	
4	537 28 77-01	GASKET		1	
5	577 22 33-01	HEAT DEFLECTOR		1	
6	725 53 70-55	SCREW IHSCM		3	1

**D** GZ550  
STARTER



12

## STARTER

GZ550

Ref	Part No	Description	Remark	QTY	KIT
1	537 26 09-01	AIR CONDUCTOR		1	
2	501 98 74-01	STARTER ASSY		1	
3	544 37 65-01	STARTER HANDLE		1	2
4	505 30 51-25	STARTER CORD		1	2
5	501 98 67-02	STARTER HOUSING		1	2
6	537 28 32-01	REINFORCEMENT SLEEVE		1	2
7	537 09 25-02	STARTER PULLEY		1	2
8	503 21 77-16	SCREW IHSCT		1	2
9	503 21 28-10	SCREW CCRPANT		2	2
10	537 24 17-01	SPRING CASSETTE ASSY		1	2
11	503 21 73-21	SCREW		4	
12	544 09 48-03	DECAL		1	