

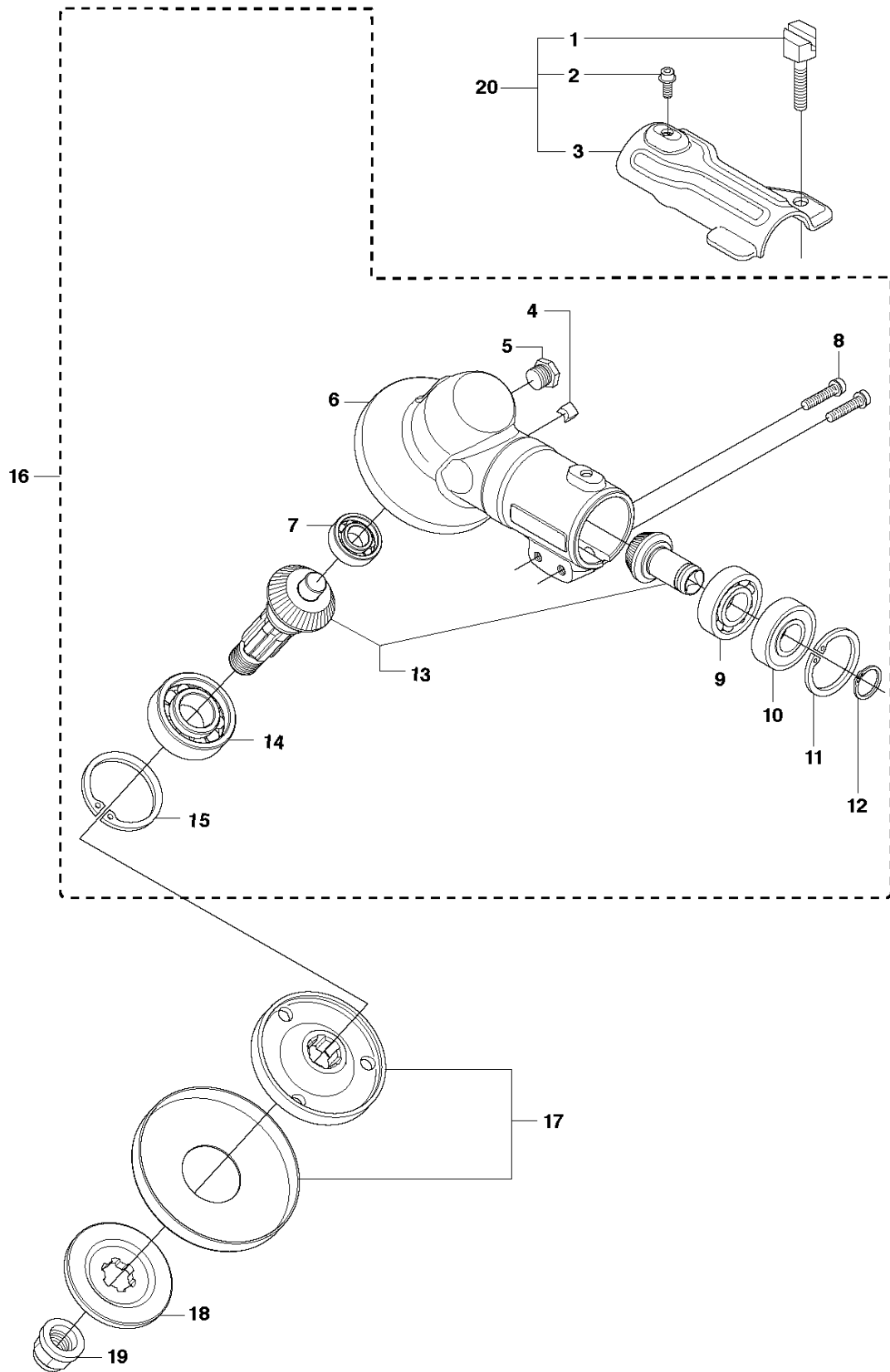


SPARE PARTS LIST

BRUSHCUTTERS/CLEARING SAWS

BCZ350S

A BCZ 350 S
BEVEL GEAR

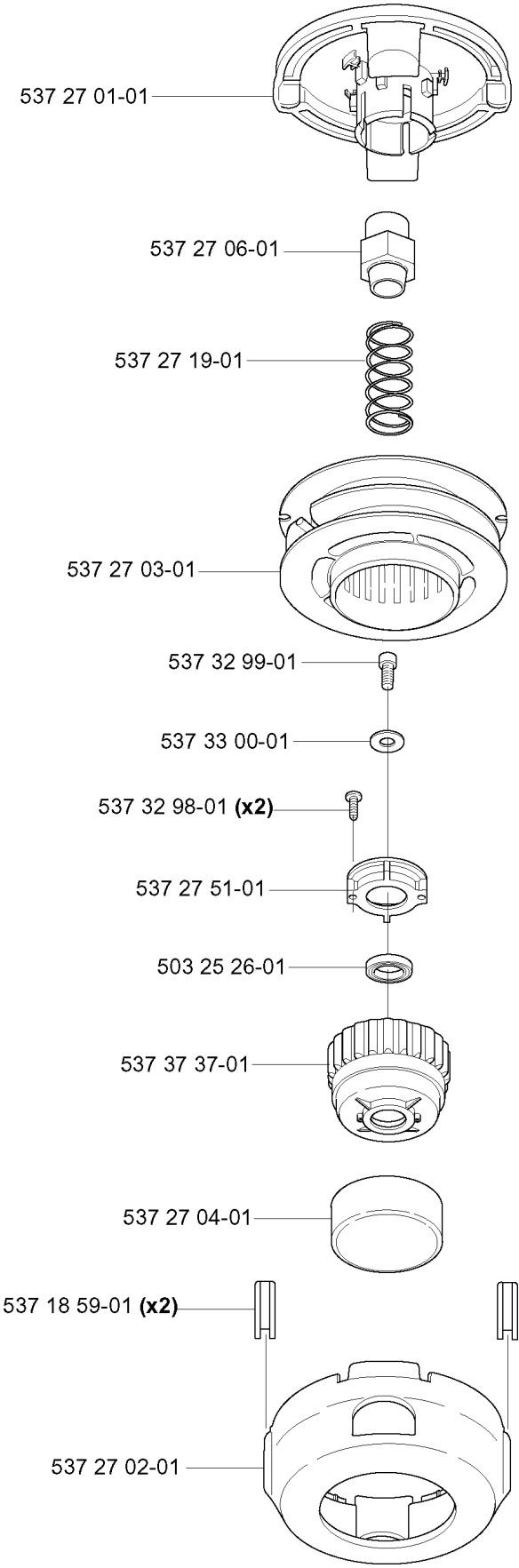


BEVEL GEAR

BCZ350S

Ref	Part No	Description	Remark	QTY	KIT
1	537 18 95-01	SCREW		1	20
2	503 20 02-10	SCREW IHSCFM		1	20
3	544 08 76-01	CLAMP		1	20
4	537 14 74-01	MAGNET		1	16
5	503 20 15-01	SCREW IHHM		1	16
6	537 29 59-02	GEAR HOUSING		1	16
7	738 21 99-00	BALL BEARING		1	16
8	503 20 03-25	SCREW IHSCFM		2	
9	738 21 01-10	BALL BEARING		1	16
10	738 21 01-12	BALL BEARING		1	16
11	735 31 28-10	CIRCLIP		1	16
12	735 31 14-00	CIRCLIP		1	16
13	505 13 33-01	SPARE PARTS KIT		1	16
13	505 13 34-01	SPARE PARTS KIT		1	16
14	503 25 28-01	BALL BEARING		1	16
15	735 31 31-10	CIRCLIP		1	16
16	537 29 58-02	BEVEL GEAR		1	
17	537 35 14-02	DRIVER		1	
18	537 34 35-01	SUPPORT FLANGE		1	
19	502 29 11-01	BLADE NUT		1	
20	574 30 68-01	CLAMP		1	

T45 M12x1.75
compl 531 00 92-62

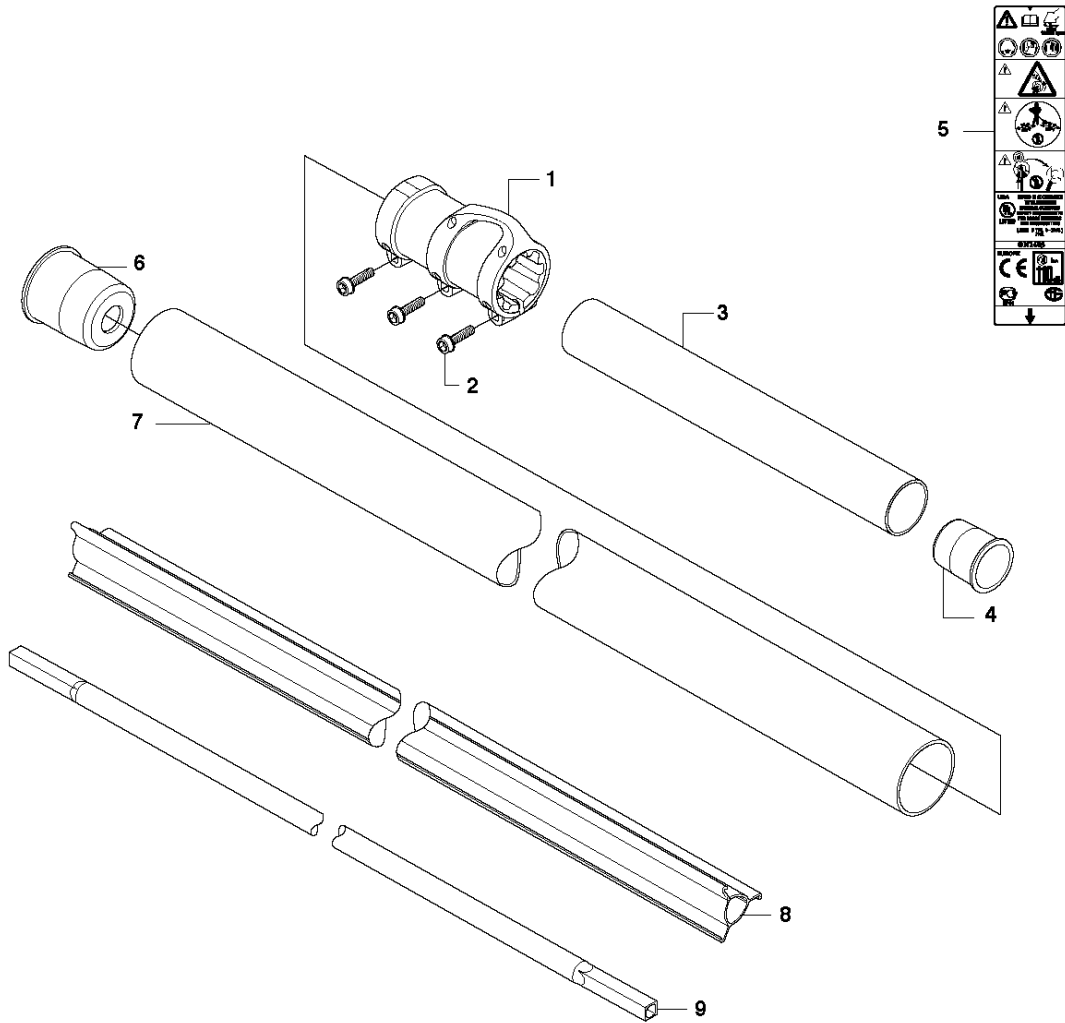


TRIMMER HEAD

BCZ350S

Part No	Description	Remark	QTY KIT
503 25 26-01	BALL BEARING		1
531 00 92-62	TRIMMER HEAD	T45 M12X1.75	1
537 18 59-01	GROMMET		2
537 27 01-01	HOUSING		1
537 27 02-01	HUB CAP		1
537 27 03-01	REEL		1
537 27 04-01	KNOB		1
537 27 06-01	ADAPTER		1
537 27 19-01	SPRING		1
537 27 51-01	BEARING CAGE		1
537 32 98-01	SCREW		2
537 32 99-01	SCREW		1
537 33 00-01	WASHER		1
537 37 37-01	KNOB		1

B BCZ 350 S
SHAFT

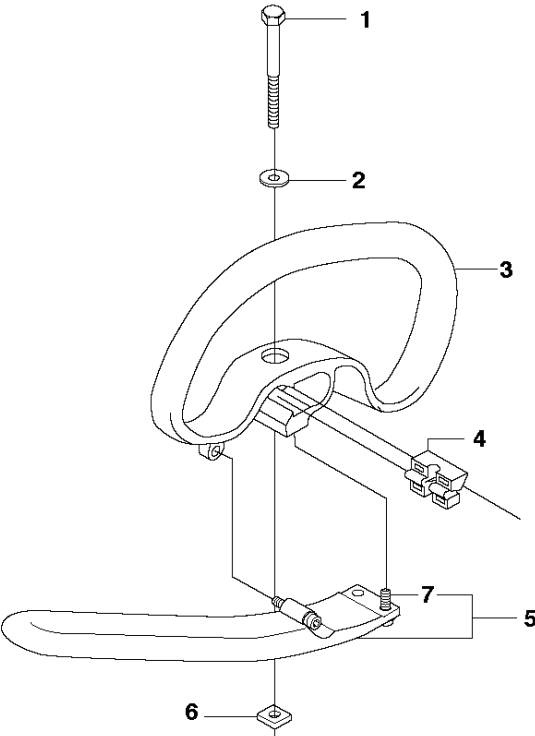


SHAFT

BCZ350S

Ref	Part No	Description	Remark	QTY KIT
1	544 10 18-01	SLEEVE		1
2	544 25 40-01	SCREW		1
3	537 18 26-10	TUBE	? =24 mm, L =330 mm	1
4	537 33 44-02	SPACER		1
5	589 29 51-01	LABEL		1
6	537 36 02-01	SPACER		1
7	537 21 41-02	TUBE	? = 28 mm, L = 1152 mm	1
8	537 31 39-02	GUIDE	? = 9 mm, L = 1115 mm	1
9	537 35 52-01	DRIVE SHAFT	? = 8 mm, L = 1527 mm	1
10	578 42 53-01	DECAL		1

C BCZ 350 S
HANDLE

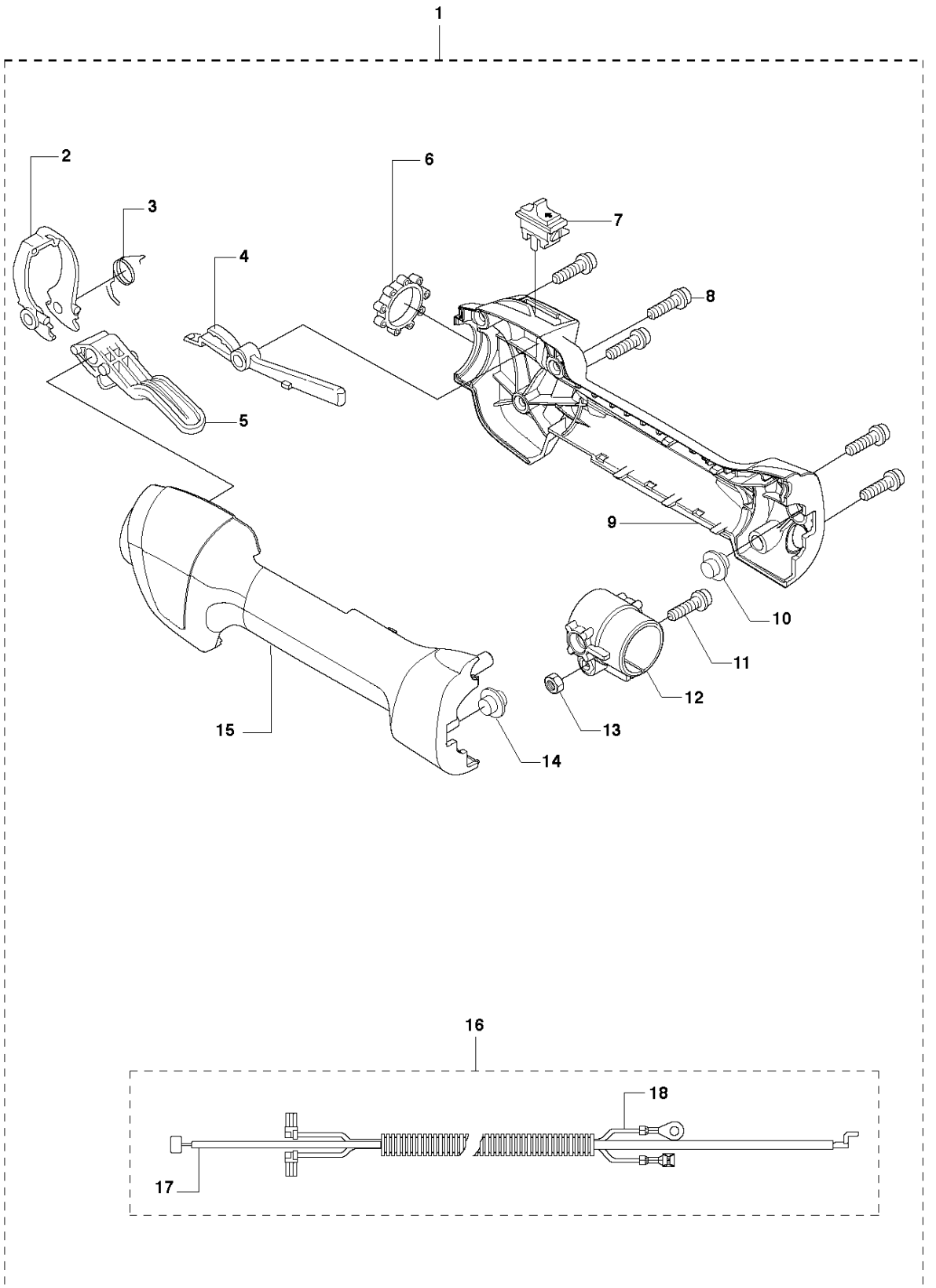


HANDLE

BCZ350S

Ref	Part No	Description	Remark	QTY	KIT
1	725 23 78-51	SCREW EHHM		1	
2	503 23 00-61	WASHER		1	
3	544 10 10-06	HANDLE.LOOP		1	
4	544 10 11-02	SPACING BLOCK		1	
5	503 99 78-05	HANDLE		1	
6	502 19 71-01	SQUARE NUT		1	
7	574 18 15-01	SCREW IHSCFTO		3	5

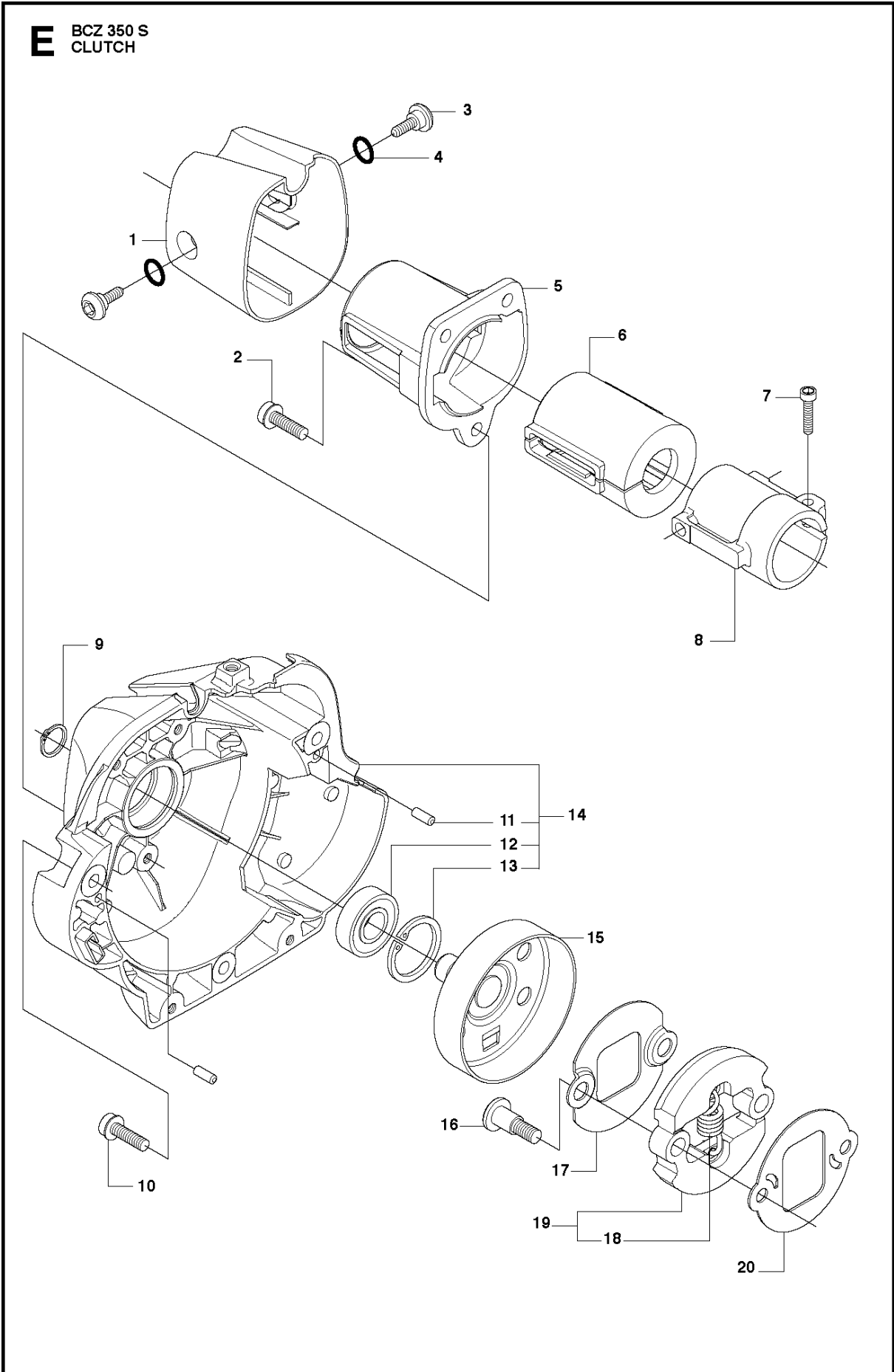
D BCZ 350 S
THROTTLE CONTROLS



THROTTLE CONTROLS

BCZ350S

Ref	Part No	Description	Remark	QTY	KIT
1	544 14 36-03	CONTROL		1	
2	503 91 81-01	THROTTLE LEVER		1	1
3	544 10 08-01	RECOIL SPRING		1	1
4	503 87 80-02	THROTTLE LOCKOUT		1	1
5	503 87 79-04	THROTTLE TRIGGER		1	1
6	503 96 14-01	ABSORBER		1	1
7	537 41 90-01	SWITCH		1	1
8	503 21 66-18	SCREW IH SCT		5	1
9	544 23 84-02	HANDLE HALF		1	1
10	544 10 17-02	DAMPER		1	1
11	503 20 03-20	SCREW IH SCFM		1	1
12	544 11 21-01	RETAINER		1	1
13	731 23 14-01	HEXAGON NUT		1	1
14	544 10 17-02	DAMPER		1	1
15	544 23 85-02	HANDLE HALF		1	1
16	544 14 49-01	WIRING ASSY		1	1
17	544 17 17-02	THROTTLE WIRE ASSY		1	16, 1
18	503 87 85-06	SHORT CIRCUIT CABLE		1	16, 1

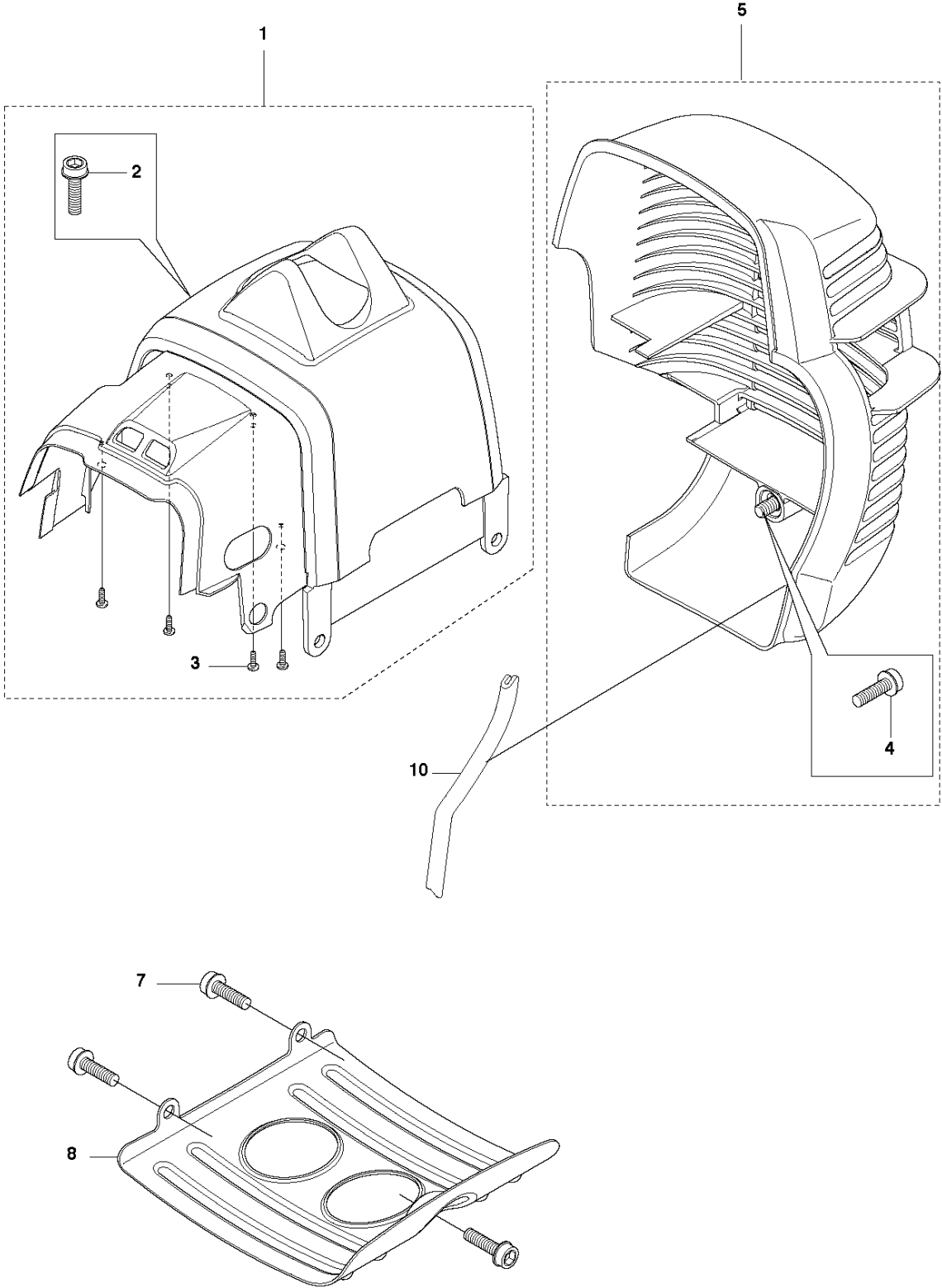


CLUTCH

BCZ350S

Ref	Part No	Description	Remark	QTY	KIT
1	544 11 97-02	COVER		1	
2	503 20 03-20	SCREW IHSCFM		3	
3	503 96 13-01	SCREW		2	
4	740 42 06-00	O-RING		2	
5	537 31 00-01	COVER		1	
6	537 32 27-01	ANTIVIBRATION ELEMENT		1	
7	725 53 33-55	SCREW IHSCM		1	
8	537 31 01-02	COMPRESSION SLEEVE		1	
9	735 31 14-00	CIRCLIP		1	
10	503 20 03-20	SCREW IHSCFM		3	
11	503 24 07-02	PARALLEL PIN		2	14
12	738 21 01-04	BALL BEARING		1	14
13	735 31 28-10	CIRCLIP		1	14
14	537 30 29-03	CLUTCH COVER		1	
15	537 35 29-01	CLUTCH DRUM		1	
16	537 41 81-01	SCREW		2	
17	537 41 57-01	WASHER		1	
18	537 42 72-01	SPRING		1	19
19	537 34 04-01	CLUTCH		1	
20	537 04 68-01	WASHER		1	

F BCZ 350 S
COVERS

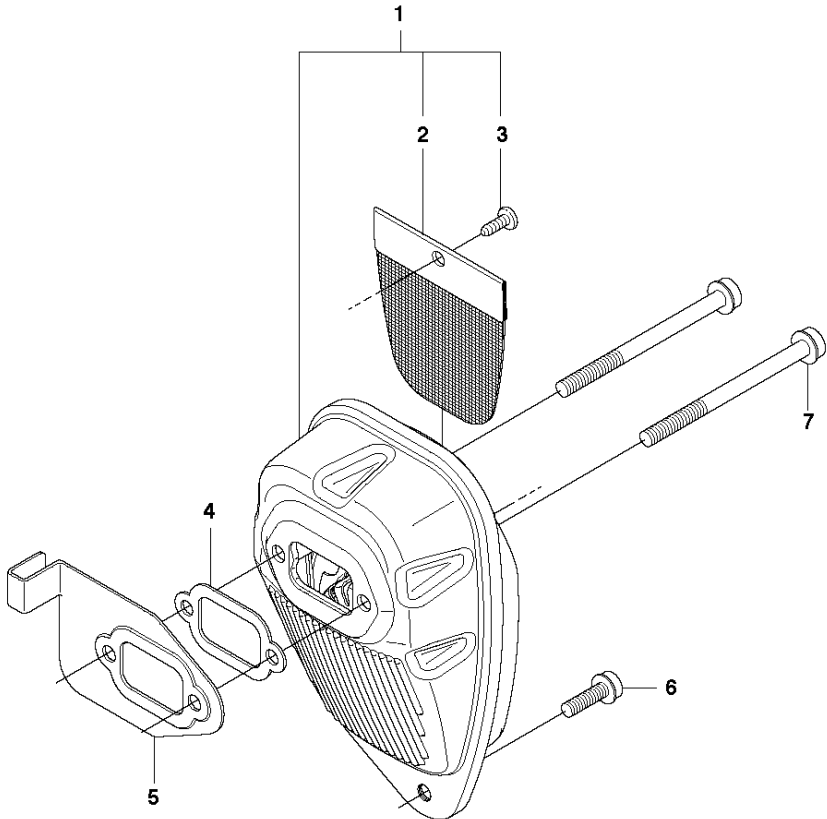


COVER

BCZ350S

Ref	Part No	Description	Remark	QTY	KIT
1	544 14 20-02	CYLINDER COVER		1	
2	573 99 43-04	SCREW IHSCFMO		1	1
3	503 21 29-10	SCREW CCRPANT		4	1
4	574 47 70-03	SCREW IHSCFMO		1	5
5	544 14 46-02	HEAT PROTECTOR		1	
7	503 21 75-16	SCREW IHSCFT		3	
8	537 35 72-01	PROTECTIVE PLATE		3	
10	544 02 98-01	BAR		1	

G BCZ 350 S
MUFFLER

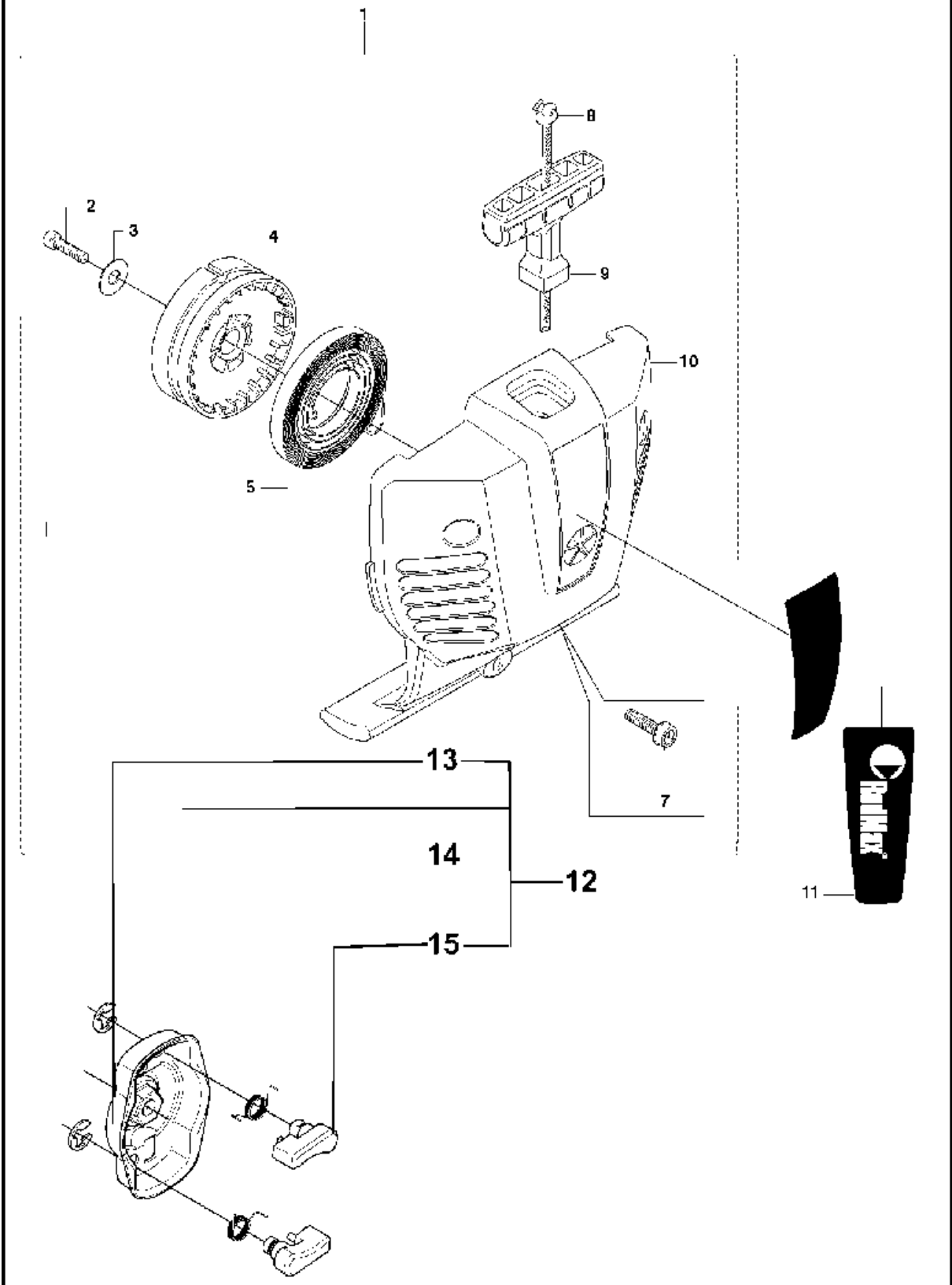


MUFFLER

BCZ350S

Ref	Part No	Description	Remark	QTY	KIT
1	505 40 86-01	MUFFLER ASSY	CAT	1	
2	544 11 68-01	SPARK ARRESTER SCREEN		1	1
3	724 12 87-59	SCREW CRPANM		1	1
4	537 33 31-01	GASKET		1	
5	537 34 08-01	AIR CONDUCTOR		1	
6	503 20 03-20	SCREW IHSCFM		1	
7	503 20 29-63	SCREW IHSCFM		2	

H BCZ 350 S
STARTER

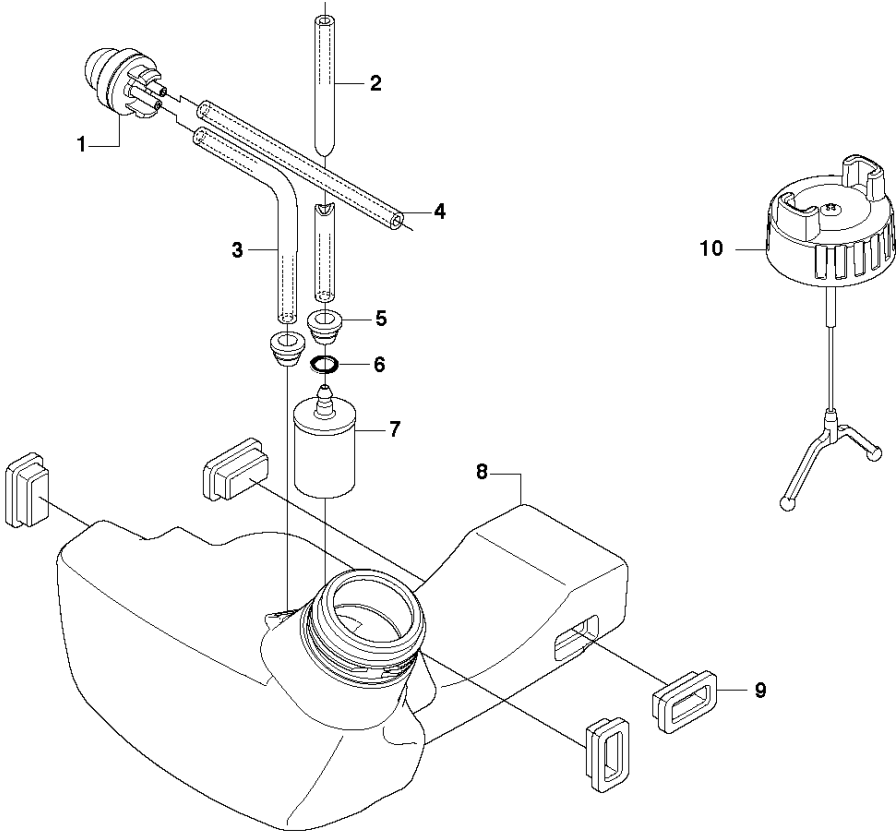


STARTER

BCZ350S

Ref	Part No	Description	Remark	QTY KIT
1	544 12 84-02	STARTER HOUSING		1
2	503 21 79-20	SCREW IHST		1
3	535 07 23-01	WASHER		1
4	537 32 50-02	STARTER PULLEY		1
5	503 85 99-01	RECOIL SPRING		1
6	537 37 38-02	TUBULAR RIVET		3
7	573 99 43-05	SCREW IHSCFMO	Captive screws	3
8	505 30 51-25	STARTER CORD		1
9	537 23 25-01	STARTER HANDLE		1
10	544 12 64-02	STARTER HOUSING	Spare part adapted for captive screws	1
11	578 35 24-01	DECAL		1
12	503 87 33-05	BRIDGE		1
13	735 31 08-20	E-CLIP		2
14	503 87 36-01	SPRING		2
15	503 87 35-02	STARTER PAWL		2

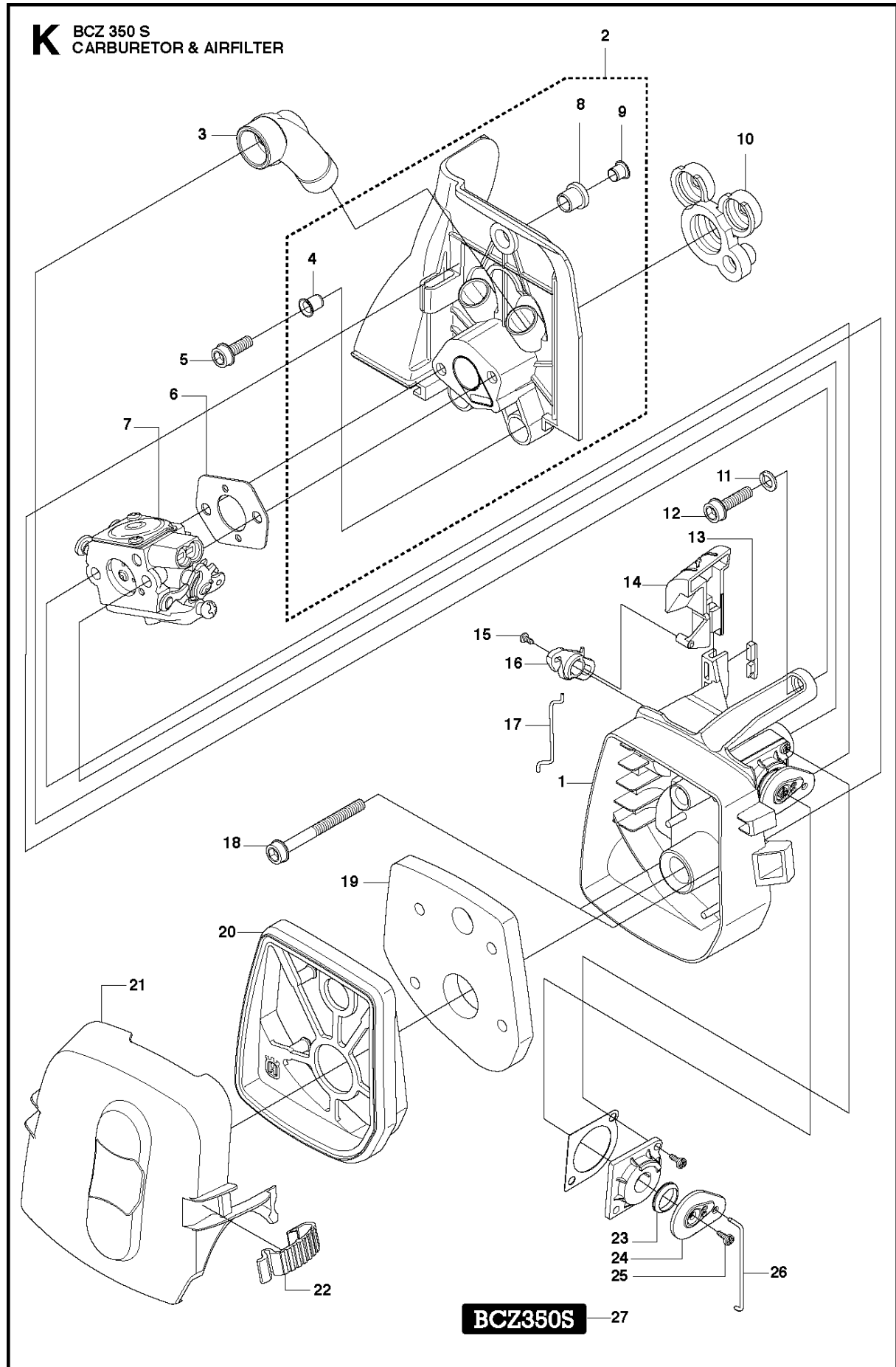
J BCZ 350 S
FUEL TANK



FUEL TANK

BCZ350S

Ref	Part No	Description	Remark	QTY KIT
1	503 93 66-01	PURGE		1
2	537 05 23-01	FUEL HOSE		1
3	537 04 24-12	FUEL HOSE		1
4	537 04 24-12	FUEL HOSE		1
5	503 73 58-01	BUSHING		2
6	537 18 49-01	O-RING		1
7	503 44 32-01	FUEL FILTER		1
8	544 32 88-01	TANK ASSY		1
9	503 91 10-01	SUSPENSION		4
10	544 88 97-03	TANK CAP		1

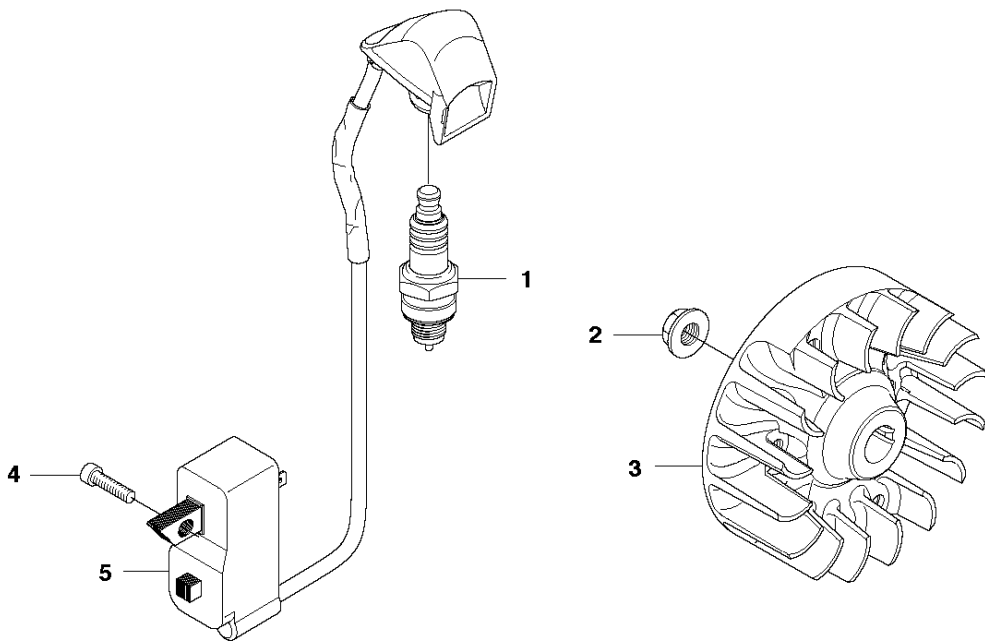


CARBURETOR & AIR FILTER

BCZ350S

Ref	Part No	Description	Remark	QTY	KIT
1	537 31 41-01	FILTER HOLDER		1	
2	537 37 12-02	INSULATION WALL		1	
3	537 34 13-01	AIR DUCT		1	
4	537 37 38-03	TUBULAR RIVET		2	2
5	503 20 03-16	SCREW IHSCFM		2	
6	503 49 71-01	GASKET		1	
7	544 32 56-01	CARBURETTOR	ZAMA C1Q-EL36	1	
8	537 37 11-01	SLEEVE		1	2
9	544 01 91-01	TUBULAR RIVET		1	2
10	537 33 43-01	INLET PIPE		1	
11	503 23 10-06	WASHER		1	
12	503 20 03-20	SCREW IHSCFM		1	
13	544 02 58-01	BAR		1	1
14	537 33 71-02	CHOKE CONTROL		1	1
15	503 21 29-06	SCREW CCRPANT		1	1
16	537 35 58-01	LEVER		1	1
17	544 37 27-01	SLEEVING BRACKET		1	
18	503 21 75-50	SCREW IHSCFT		2	
19	537 33 72-01	FILTER		1	
20	537 31 42-01	FRAME		1	
21	544 12 65-01	FILTER COVER		1	
22	537 38 72-01	SNAP LOCKING		2	
23	544 01 47-01	BELLOWS		1	1
24	544 01 46-01	LEVER		1	1
25	503 21 29-06	SCREW CCRPANT		1	1
26	537 34 90-01	LEVER		1	
27	578 35 25-01	DECAL		1	

L BCZ 350 S
IGNITION

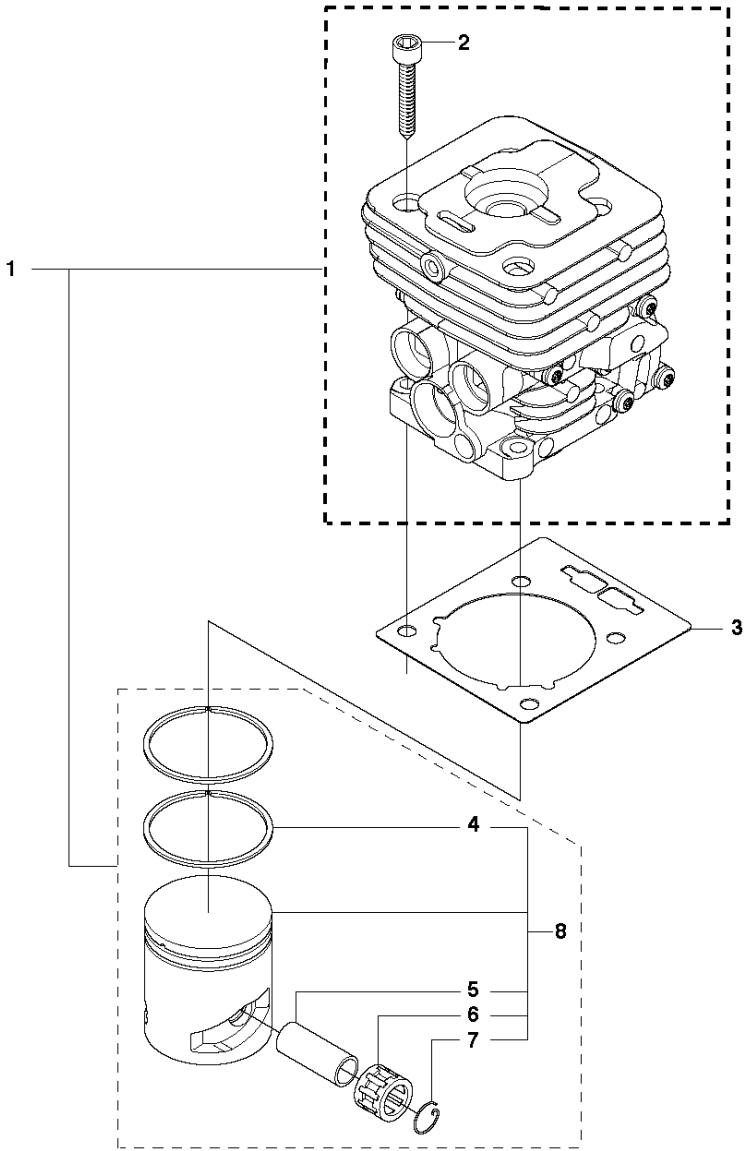


IGNITION SYSTEM

BCZ350S

Ref	Part No	Description	Remark	QTY KIT
1	503 23 51-09	SPARK PLUG	CH RCJ6Y	1
2	731 71 16-51	HEXAGON NUT FLANGE		1
3	537 24 96-01	FLYWHEEL		1
4	503 21 66-18	SCREW IHSCT		2
5	544 12 70-02	IGNITION MODULE		1

M BCZ 350 S
CYLINDER

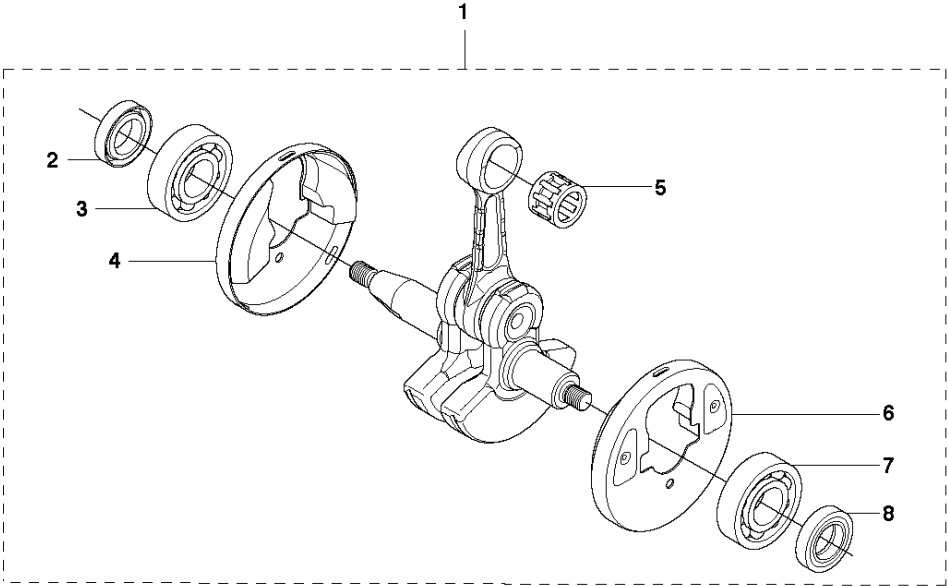


CYLINDER

BCZ350S

Ref	Part No	Description	Remark	QTY	KIT
1	544 40 06-01	CYLINDER ASSY		1	
2	725 53 33-55	SCREW IHSCM		4	1
3	537 33 30-02	GASKET		1	
4	503 28 90-54	PISTON RING		2	1, 8
5	503 28 91-19	PISTON PIN		1	1, 8
6	503 41 41-01	NEEDLE BEARING		1	1, 8
7	737 44 10-00	SNAP RING		2	1, 8
8	585 99 83-02	PISTON ASSY		1	1

N BCZ 350 S
CRANKSHAFT

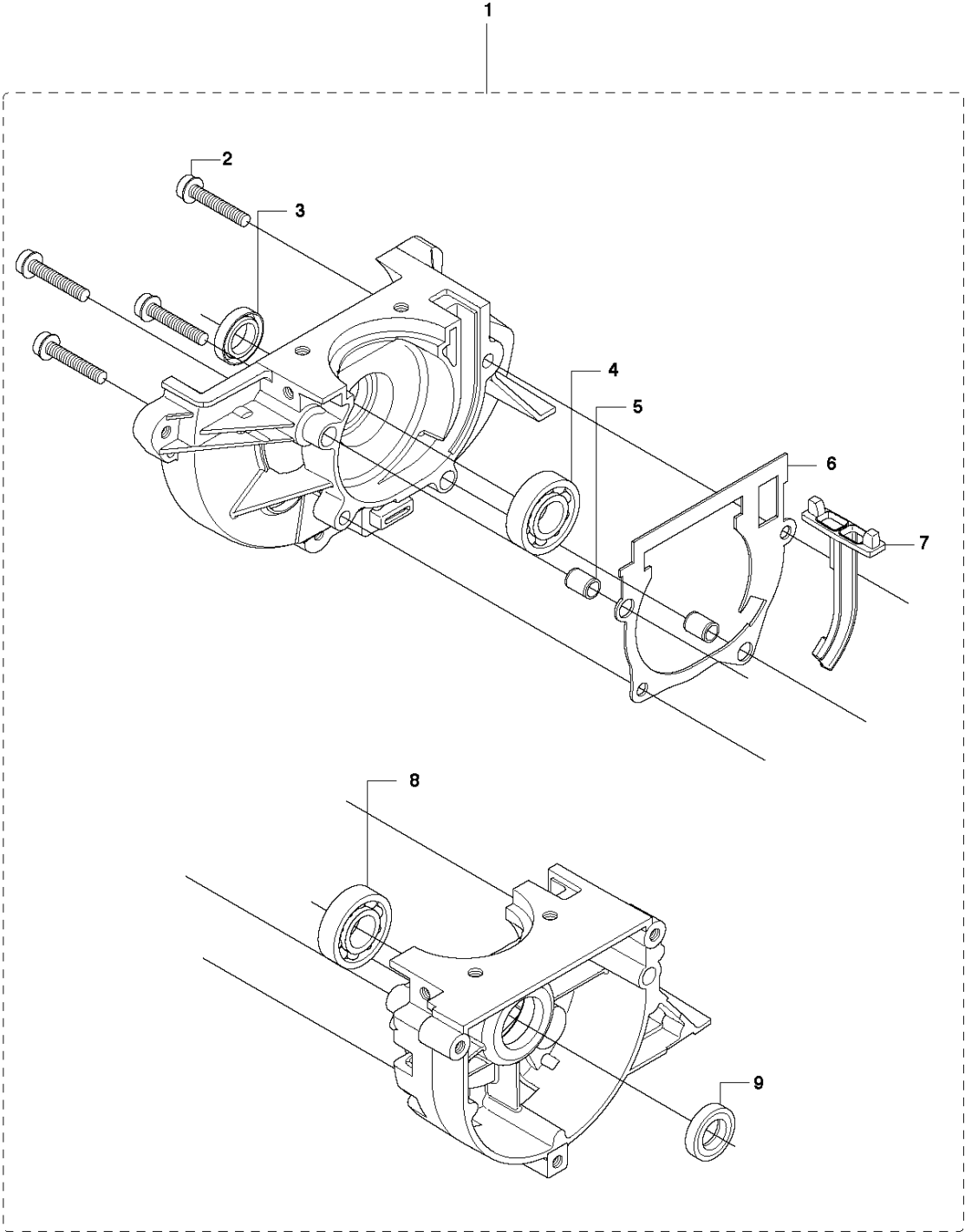


CRANKSHAFT

BCZ350S

Ref	Part No	Description	Remark	QTY	KIT
1	544 03 90-01	CRANKSHAFT ASSY		1	
2	503 26 02-02	SEALING RING		1	1
3	738 21 01-10	BALL BEARING		1	1
4	537 29 76-01	CUP		1	1
5	503 41 41-01	NEEDLE BEARING		1	1
6	537 29 76-01	CUP		1	1
7	738 21 01-10	BALL BEARING		1	1
8	503 26 02-02	SEALING RING		1	1

P BCZ 350 S
CRANKCASE



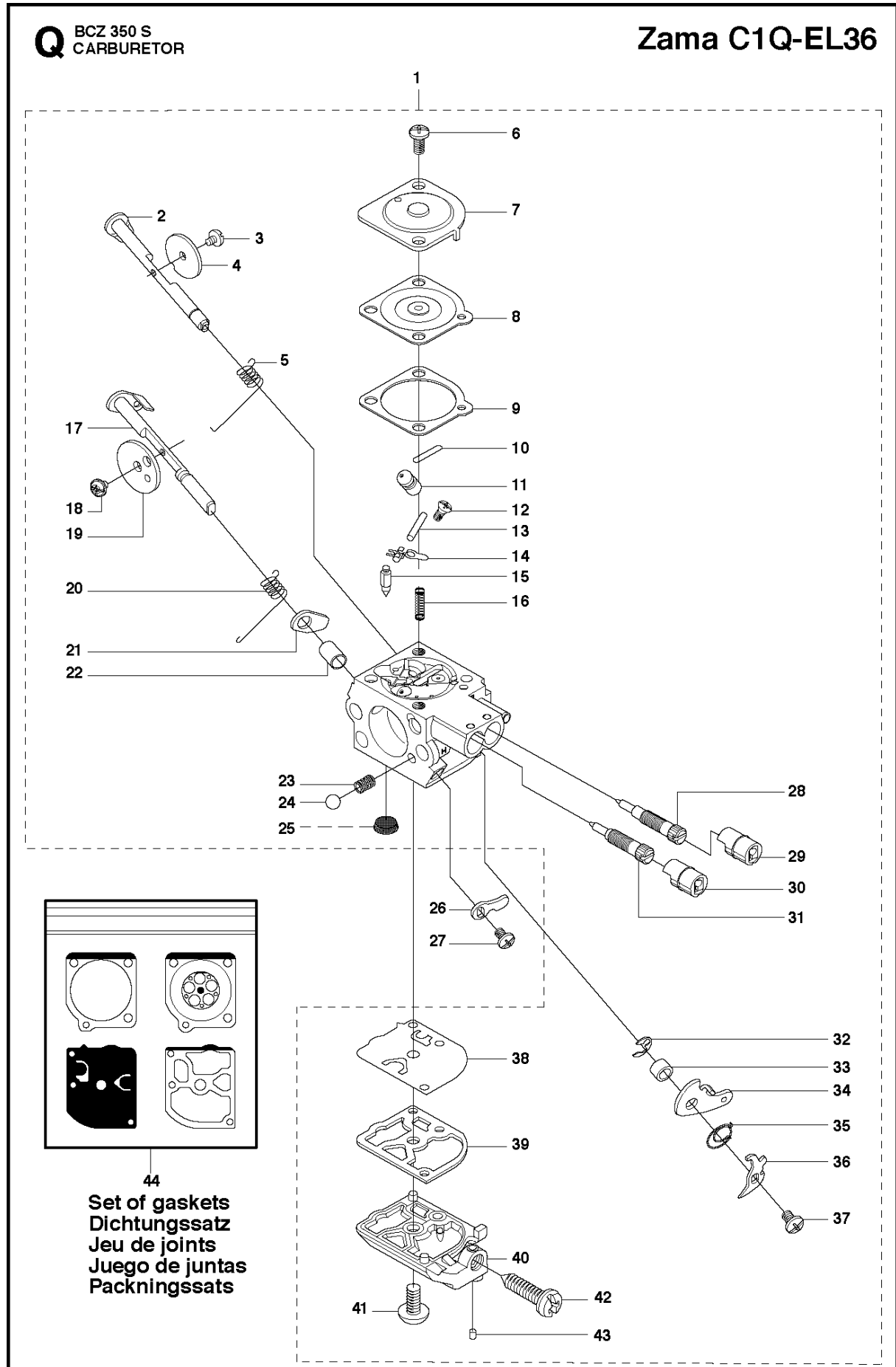
CRANKCASE

BCZ350S

Ref	Part No	Description	Remark	QTY	KIT
1	544 03 89-01	CRANKCASE ASSY		1	
2	503 20 02-30	SCREW IHSCFM		4	1
3	503 26 02-02	SEALING RING		1	1
4	738 21 01-10	BALL BEARING		1	1
5	501 27 08-01	GUIDE BUSHING		2	1
6	537 33 29-01	GASKET		1	1
7	537 32 42-01	INSERT		1	1
8	738 21 01-10	BALL BEARING		1	1
9	503 26 02-02	SEALING RING		1	1

Q BCZ 350 S
CARBURETOR

Zama C1Q-EL36

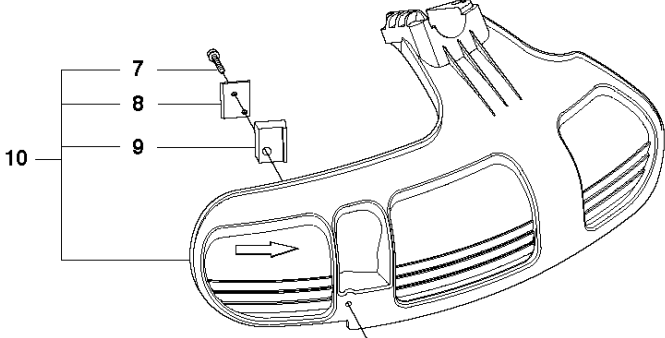
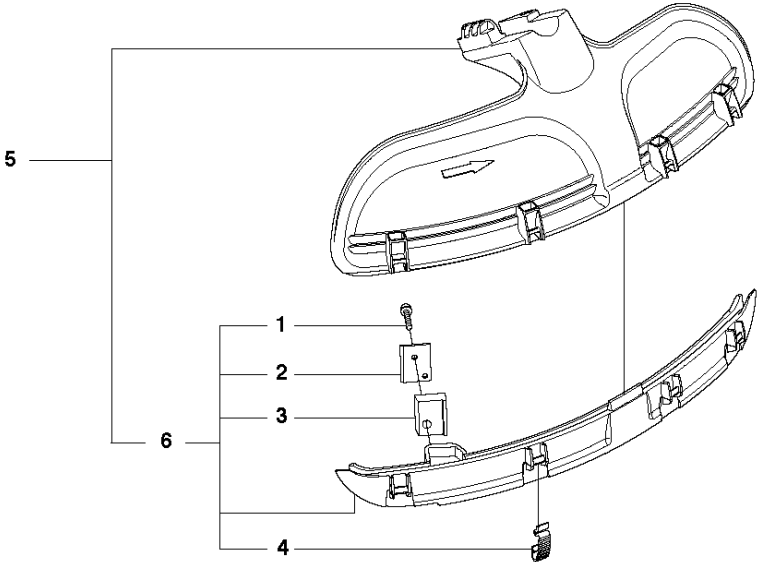


CARBURETOR

BCZ350S

Ref	Part No	Description	Remark	QTY	KIT
2	537 38 74-01	SHAFT ASSY		1	1
4	537 41 72-01	VALVE		1	1
5	544 37 24-01	SPRING		1	1
6	503 48 05-01	SCREW		2	1
7	503 97 43-01	COVER		1	1
8	537 04 89-01	DIAPHRAGM	1	1	1
10	503 53 56-01	PLUG WELCH		1	1
11	537 38 73-01	NOZZLE ASSY		1	1
12	503 48 01-01	SCREW		1	1
13	503 48 00-01	PIN RETAINING SCREW		1	1
14	503 66 59-01	LEVER		1	1
15	503 47 97-01	VALVE		1	1
16	537 02 03-01	SPRING		1	1
17	544 37 22-01	SHAFT ASSY		1	1
18	503 48 18-01	SCREW		1	1
19	537 02 11-01	VALVE		1	1
20	544 37 26-01	SPRING		1	1
21	544 37 25-01	LEVER		1	1
22	544 42 70-01	COLLAR		1	1
23	537 01 26-01	SPRING		1	1
24	537 01 25-01	BALL		1	1
25	503 48 13-01	STRAINER		1	1
26	544 37 23-01	LEVER		1	
27	503 47 90-01	SCREW		1	
28	537 41 69-01	SCREW	L	1	1
29	537 41 70-01	LIMITER CAP		1	1
30	537 41 70-01	LIMITER CAP		1	1
31	537 38 75-01	SCREW	H	1	1
32	537 38 52-01	CLIP		1	1
33	537 41 77-01	COLLAR		1	1
34	537 41 73-01	LEVER		1	1
35	537 41 78-01	SPRING THROTT.RETURN		1	1
36	537 41 74-01	LEVER		1	1
37	503 47 90-01	SCREW		1	1
38	537 02 00-01	DIAPHRAGM PUMP	1	1	1
39	537 02 01-01	GASKET	1	1	1
40	537 41 68-01	COVER		1	1
41	503 47 96-01	SCREW		1	1
42	537 02 07-01	SCREW		1	1
43	503 48 11-01	PIECE		1	1
44	531 00 45-52	GASKET KIT	1		1

R BCZ 350 S
GUARDS

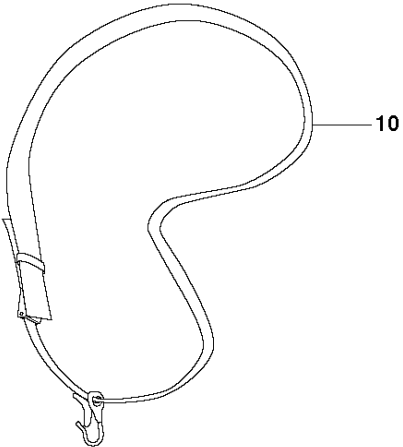
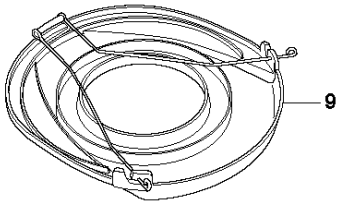
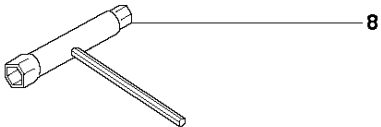
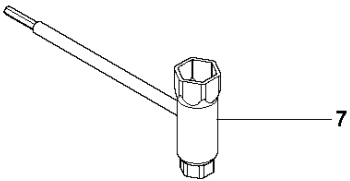
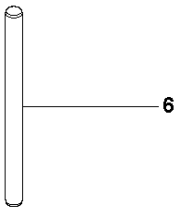
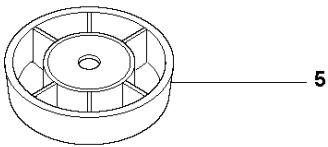
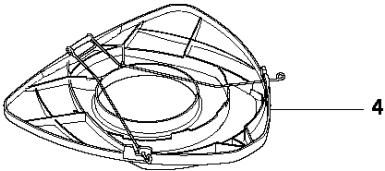
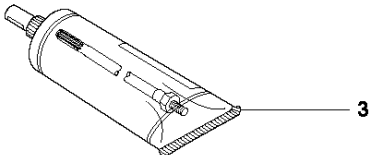
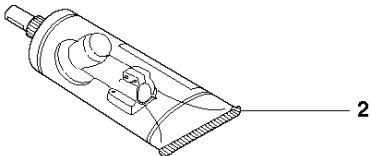
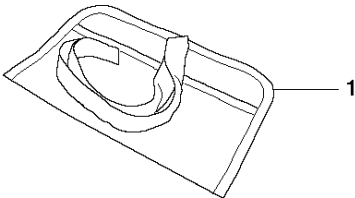


GUARDS

BCZ350S

Ref	Part No	Description	Remark	QTY	KIT
1	503 21 68-25	SCREW IHSCFT		1	5, 6
2	503 79 88-01	BLADE		1	5, 6
3	544 12 45-01	RETAINER		1	5, 6
4	537 38 72-01	SNAP LOCKING		4	5, 6
5	537 33 16-04	SPLASH GUARD		1	
6	537 39 63-04	SPLASH GUARD		1	5
7	503 21 68-25	SCREW IHSCFT		1	10
8	503 79 88-01	BLADE		1	10
9	544 12 45-01	RETAINER		1	10
10	537 34 94-04	TRIMMER GUARD		4	

S BCZ 350 S
ACCESSORIES



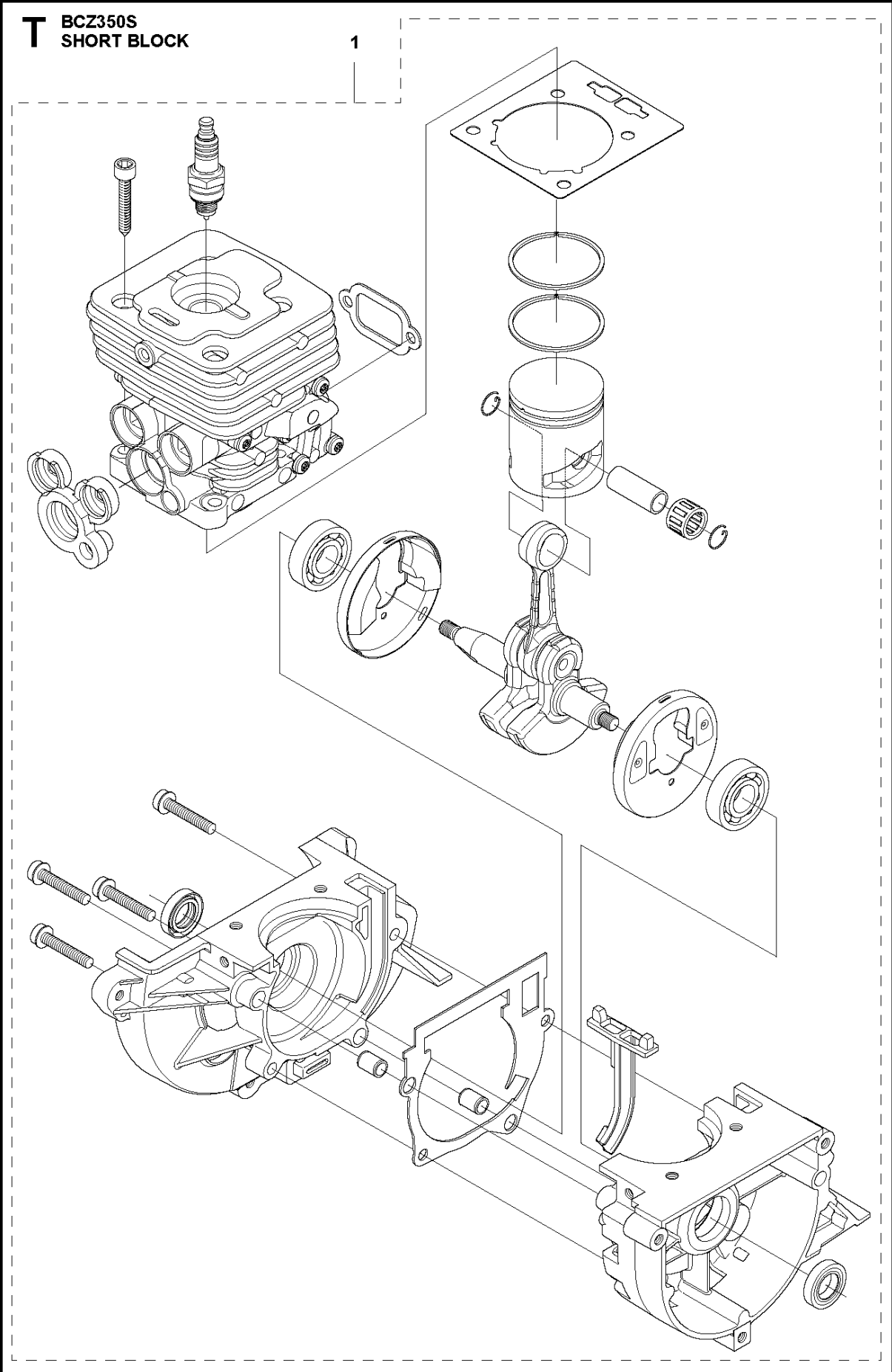
ACCESSORIES

BCZ350S

Ref	Part No	Description	Remark	QTY KIT
1	501 19 22-01	TOOL		1
2	503 97 65-01	GREASE		1
3	503 80 17-01	GREASE		1
4	544 35 91-01	TRANSPORT GUARD	300-350 mm	1
5	503 89 01-02	SUPPORT CUP		1
6	502 28 59-01	STOP		1
7	537 36 21-01	COMBINATION WRENCH		1
8	501 68 89-01	SLEEVE TOOL		1
9	537 31 29-01	TRANSPORT GUARD	200-275 mm	1
10	537 21 62-02	HARNESS		1
	544 97 26-03	TRIMMER HEAD		1

T BCZ350S
SHORT BLOCK

1



SHORT BLOCK

BCZ350S

Ref	Part No	Description	Remark	QTY KIT
1	576 79 68-01	SHORT BLOCK	Assembled	1