



| | |
|-------------------------------------|---------------------|
| <input type="checkbox"/> | Action Required: |
| <input type="checkbox"/> | Sold |
| <input type="checkbox"/> | Not Sold |
| <input checked="" type="checkbox"/> | Only If Encountered |
| <input type="checkbox"/> | Information Only |

SB, Park Brake Improvement, RedMax ZTR, RZT54X, RZT61X, CZT52, CZT61, 08-2018

Affected Models

Models produced from 07-25-17 to 02-20-18.

| Model | PNC | Serial Range Start | Serial Range End |
|--------|-----------|--------------------|------------------|
| RZT54X | 967671101 | 110917B001001 | 021618B009001 |
| RZT61X | 967671201 | 072517B001001 | 121817B009001 |
| CZT52 | 967671301 | 072517B001001 | 011918B009001 |
| CZT61 | 967671401 | 072517B001001 | 022018B009001 |

Affected Market(s)

Australia, United States, Asia Pacific.

Description

Park brake components may seize resulting in bent parts and increased service calls.

| | Product sold to end users | Residual inventory not yet sold |
|-------------------------|---|---------------------------------|
| What is required | Service is required | Service is not approved |
| When to do | Only if encountered | Not required |
| What to do | If unit is under warranty and a brake component fails, replace park brake assembly. | |
| How to do | See "Additional information" | |

Parts Information

| Replacement part number | Part description | Quantity | Old part numbers |
|-------------------------|------------------------|----------|------------------|
| 595 84 67-01 | Park Brake Service Kit | 1 | 539132153 |
| | | | 539132154 |
| | | | 539132424 |
| | | | 586738802 |
| | | | 586830002 |

Warranty Reporting Information

Normal warranty rules apply. A warranty claim must be filed for each unit serviced, even if service is labor only. Please include full serial number. All claims must be sent through our warranty process using only the information listed below:

| Field | Selection or Entry |
|------------------------|---|
| Claim Type (inventory) | Not Approved |
| Claim Type (end users) | 01 – Warranty |
| Failure Description | Service Bulletin # B2180010A-15 |
| Component code | 504 – Braking System |
| Defect code | 92 – Part exchanged on request by Husqvarna |
| Symptom code | - |
| Labor Allowance | 7 units (42 minutes) |

| | |
|-------------------------------------|---------------------|
| <input type="checkbox"/> | Action Required: |
| <input type="checkbox"/> | Sold |
| <input type="checkbox"/> | Not Sold |
| <input checked="" type="checkbox"/> | Only If Encountered |
| <input type="checkbox"/> | Information Only |

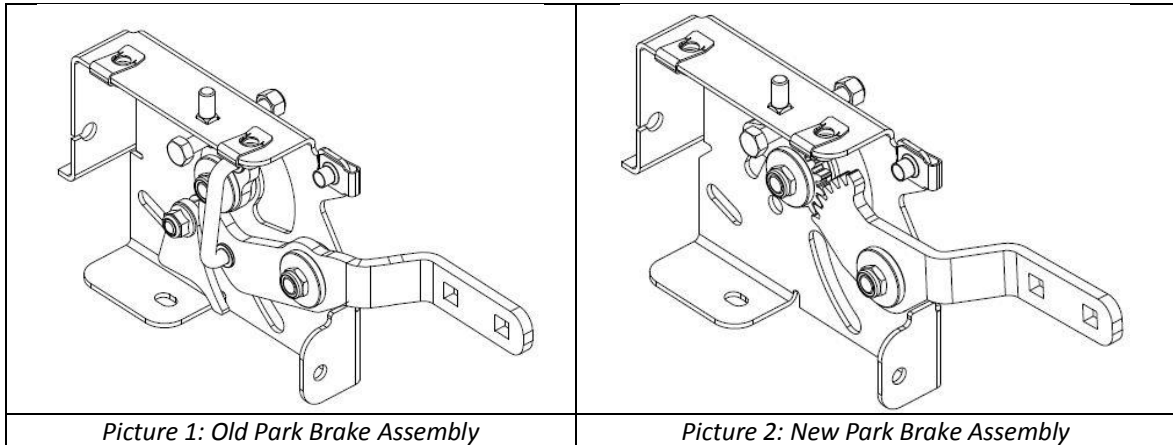
Additional Information

Instructions for service

Tools/equipment needed:

None.

Step 1. Order Park Brake Service Kit: 595 84 67-01



Revision History

| Revision | Date | Description |
|----------|---------|-------------|
| A | 07-2018 | Created |