



SB, Parking Brake Cable Improvement, CZT54X, CZT60X, CZT60TX, CZT72X, 2023-08

Affected models

Model	PNC	Serial Range	
		Start	End
CZT72X	970497401	032619B000001	020923B999999
CZT60X	970497501	032619B000001	020923B999999
CZT60X	970497502	032619B000001	020923B999999
CZT60X	970585301	032619B000001	020923B999999
CZT54X	970497601	032619B000001	020923B999999
CZT60TX	970641101	032619B000001	020923B999999

Affected markets

North America, Australia/New Zealand

Description

The brake cable ferrule can catch and hang on the edge of the adapter casting. If the cable does not enter into the proper position of the casting, it causes excess loading to the cable when the parking brake is set, which could cause cable damage.

Resolution of issue

A larger fillet and passthrough hole was created for the new 597 74 45-02 adaptor. This is to help reduce the likelihood of the brake cable ferrule catching the side of the adaptor's casting.

Action

	Product sold to the end user	Residual inventory not yet sold
What is required:	Service is required.	Service is not approved.
When to do:	Only if encountered.	During PDI (Ref. Service Journal checklist located in the owner's manual if applicable).
What to do:	Replace the interlock adaptor and park brake cable assembly.	
How to do:	Replace the interlock adaptor and park brake cable assembly as per normal servicing procedures. Ensure the park brake cables are properly adjusted (See procedure in <i>Additional information</i> below).	

Parts information

New part no.	Part description	Quantity	Old part no.
597 74 45-02	Adaptor	1	597 74 45-01
N/A	Parking brake cable assembly	1	582 47 75-01

Warranty reporting information

Normal warranty rules apply. A warranty claim must be filed for each unit serviced, even if the service is labor only. Please include the full serial number. All claims must be sent through our warranty process using only the information listed below:

Field	Selection or Entry
Claim type (inventory)	3 - Requested by Sales Company
Claim type (end users)	1 - Warranty
Failure description	B2230001A-15
Component code	504 - Braking system
Defect code	08 - Cracked / Split / Broken / Fractured
Labor Allowance	5 units (30 minutes)

Additional information

CZT Parking Brake Adjustment Instructions

To check the parking brake:

1. Park the product on a slope with a hard surface.
NOTE: Do not park the product on a grass slope.
2. Engage the parking brake.
3. If the product moves, refer to "To adjust the parking brake" section listed in the manual, or let an approved service agent make adjustments.
4. Disengage the parking brake.

To adjust the parking brake:

NOTE: Make equal adjustments on the two parking brake controls.

1. Park the product on a flat surface. (Shut off engine).
2. Get access to the parking brakes.
 - a) If the product has control lever bellows, remove the rivet pins and slide the bellows up (figure 1).
 - b) If the product has closeout panels, remove the bolts and panels (figure 2).
3. Inspect the control levers and parking brake assembly for damaged and missing parts. Replace any damaged or missing parts.
4. Set the control levers fully to the out position.

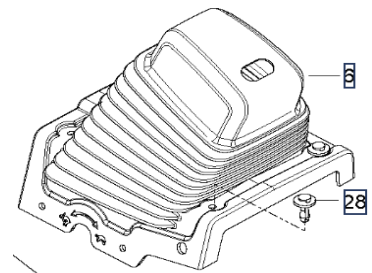


Fig. 1:

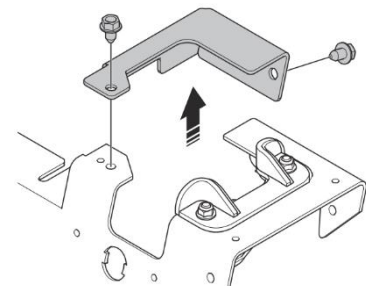


Fig. 2:

5. Use a feeler gauge to measure the gap (A, figure 3) between the interlock bracket and the adapter. The gap must be 0.030-0.060 in (0.76-1.52 mm).
6. Use an adjustable or a ½ inch wrench to loosen the jam nut (C, figure 3).
7. Loosen or tighten the adjustment nut (B, figure 3) using an adjustable or ½ inch wrench as necessary to get the correct measurement.
8. When the measurement is correct, hold the adjustment nut in position and tighten the jam nut against it.
9. Operate the control handles a minimum six of times to check the parking brake function. (Recheck measurement).

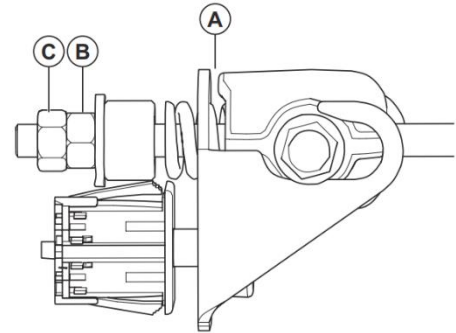


Fig. 3:

- NOTE:** When the parking brakes are adjusted correctly, the cables will not have tension when the control levers are in the inward position. Do not add tension to the parking brake cables.
10. Re-install the bellows or closeout panels.

Revision History

Rev.	Date	Order id.	Description
A	2023-08	00031887	Created